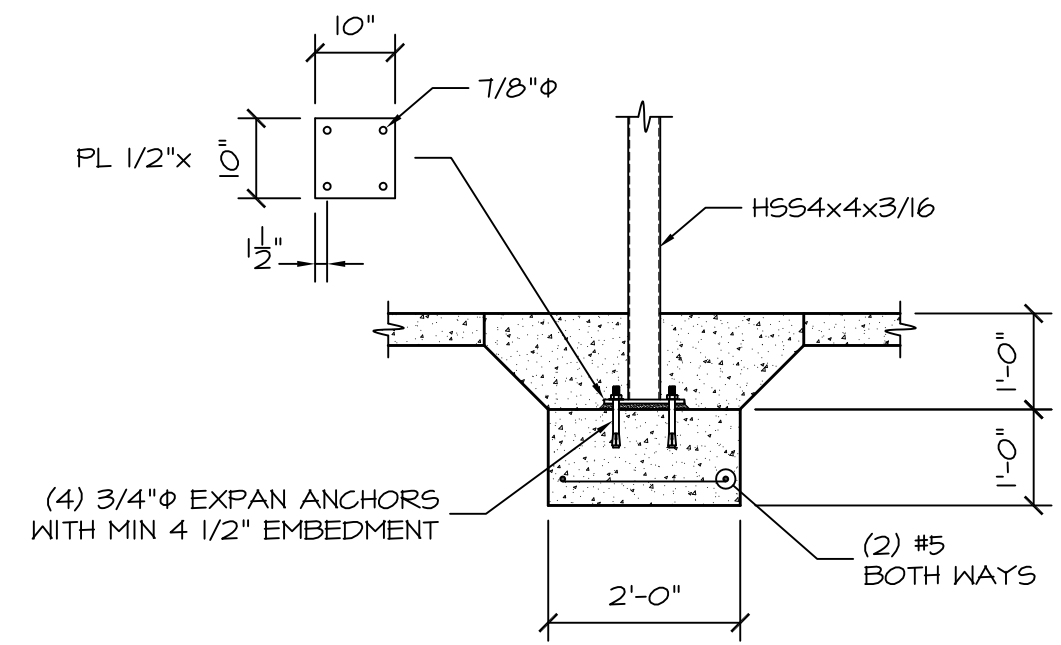


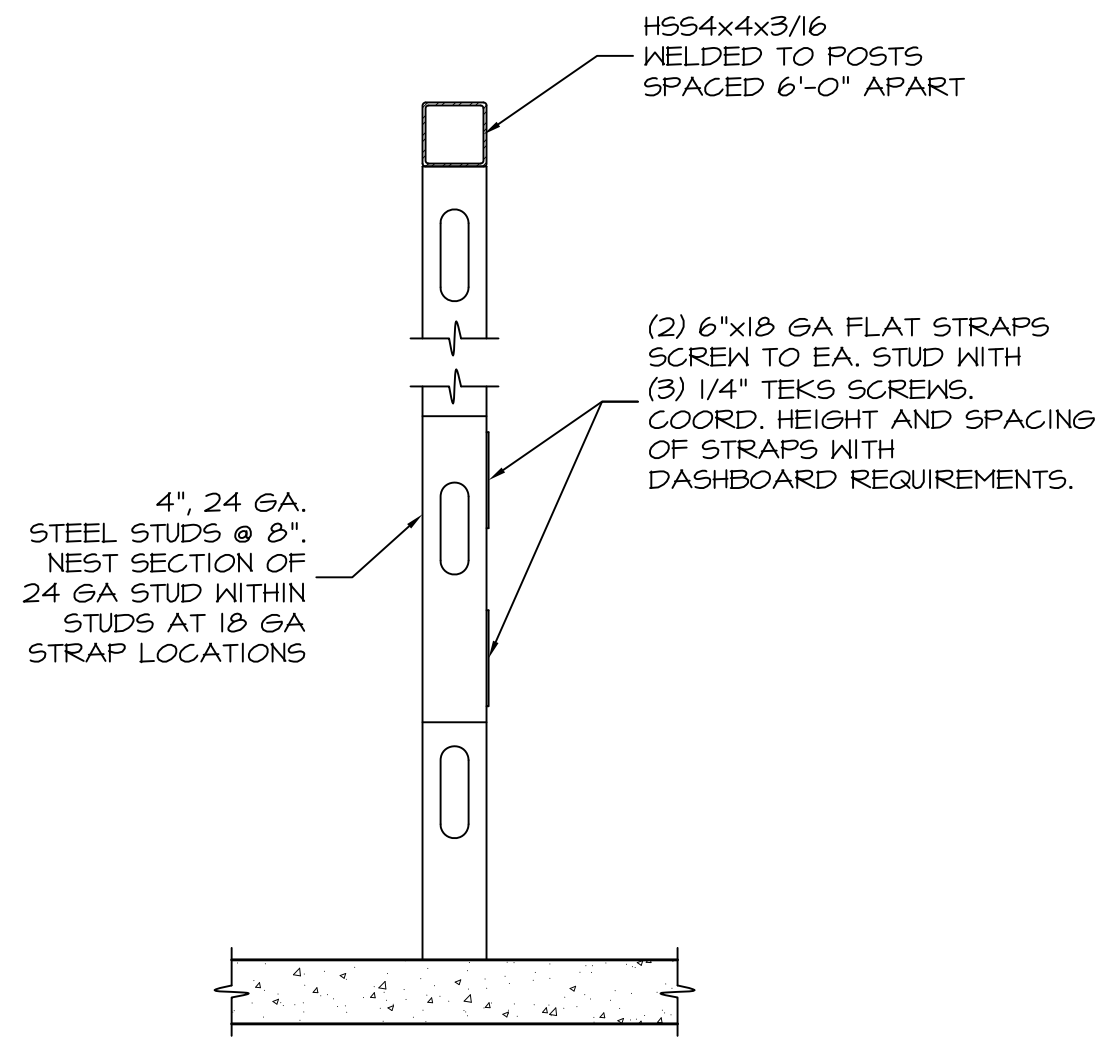
4", 24 GAGE STEEL STUDS SPACED AT 16 EXCEPT AT 8" AT DASHBOARD SEE ARCHITECTURAL FOR CURVED WALL GEOMETRY

OFFICE WALL SUPPORT PLAN
1/4"=1'-0"



SECTION 1
1/2"=1'-0" SSK2

FOOTINGS MAY BE COMBINED AT CONTRACTOR'S OPTION.



SECTION 2
1"=1'-0" SSK2

FIAT SHOWROOM

1000 BRIGHTON AVENUE
PORTLAND, ME

revision number	
date	05/09/11