

City of Portland, Maine - Building or Use Permit Application

389 Congress Street, 04101 Tel: (207) 874-8703, Fax: (207) 874-8716

PERMIT ISSUED

Permit No: 02-0408
 Issue Date: MAY 10 2002
 CBL: 261 B057001

Location of Construction: 119 Rowe Ave	Owner Name: Young Kevin R & Mary T Jts	Owner Address: 119 Rowe Ave	Phone: 207-780-0071
Business Name:	Contractor Name: no contractor / self	Contractor Address: Portland	Phone:
Lessee/Buyer's Name:	Phone:	Permit Type: Sheds	Zone: R-3

Past Use: single family	Proposed Use: erect 8' x 10' shed	Permit Fee: \$30.00	Cost of Work: \$580.00	CEO District: 3
Proposed Project Description: erect 8' x 10' storage shed		FIRE DEPT: <input type="checkbox"/> Approved <input checked="" type="checkbox"/> Denied N/A		INSPECTION: Use Group: U-Shed Type: SB BOCA 1999
		Signature: N/A		Signature: [Signature]

PEDESTRIAN ACTIVITIES DISTRICT (P.A.D.)	
Action: <input type="checkbox"/> Approved <input checked="" type="checkbox"/> Approved w/Conditions <input type="checkbox"/> Denied	Date:
Signature: N/A	Date:

Permit Taken By: jodinea	Date Applied For: 04/25/2002	Zoning Approval
-----------------------------	---------------------------------	------------------------

1. This permit application does not preclude the Applicant(s) from meeting applicable State and Federal Rules. 2. Building permits do not include plumbing, septic or electrical work. 3. Building permits are void if work is not started within six (6) months of the date of issuance. False information may invalidate a building permit and stop all work..	Special Zone or Reviews <input type="checkbox"/> Shoreland <input type="checkbox"/> Wetland <input type="checkbox"/> Flood Zone <input type="checkbox"/> Subdivision <input type="checkbox"/> Site Plan Maj <input type="checkbox"/> Minor <input type="checkbox"/> MM <input type="checkbox"/> Date: 05/2/02	Zoning Appeal <input type="checkbox"/> Variance <input type="checkbox"/> Miscellaneous <input type="checkbox"/> Conditional Use <input type="checkbox"/> Interpretation <input type="checkbox"/> Approved <input type="checkbox"/> Denied Date:	Historic Preservation <input checked="" type="checkbox"/> Not in District or Landmark <input type="checkbox"/> Does Not Require Review <input type="checkbox"/> Requires Review <input type="checkbox"/> Approved <input type="checkbox"/> Approved w/Conditions <input type="checkbox"/> Denied Date:
--	---	---	--

CERTIFICATION

I hereby certify that I am the owner of record of the named property, or that the proposed work is authorized by the owner of record and that I have been authorized by the owner to make this application as his authorized agent and I agree to conform to all applicable laws of this jurisdiction. In addition, if a permit for work described in the application is issued, I certify that the code official's authorized representative shall have the authority to enter all areas covered by such permit at any reasonable hour to enforce the provision of the code(s) applicable to such permit.

SIGNATURE OF APPLICANT	ADDRESS	DATE	PHONE
RESPONSIBLE PERSON IN CHARGE OF WORK, TITLE		DATE	PHONE

02-0408

All Purpose Building Permit Application

If you or the property owner owes real estate or personal property taxes or user charges on any property within the City, payment arrangements must be made before permits of any kind are accepted.

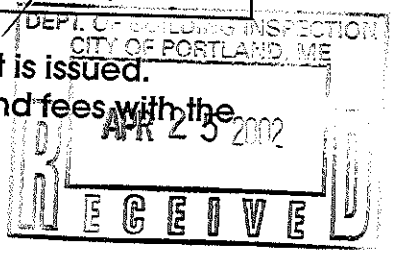
Location/Address of Construction: <u>119 Rowe Ave Portland ME 04102</u>		
Total Square Footage of Proposed Structure <u>80'</u>	Square Footage of Lot <u>12,800</u>	
Tax Assessor's Chart, Block & Lot Chart# <u>262</u> - Block# <u>B</u> - Lot# <u>57/58</u>	Owner: <u>Kevin Young</u> <i>Call</i>	Telephone: <u>780-0071</u> <i>Call</i>
Lessee/Buyer's Name (if Applicable)	Applicant name, address & telephone: <u>Kevin Young</u> <u>119 Rowe Ave</u> <u>Portland 780-0071</u>	Cost Of Work: \$ <u>580</u> Fee: \$ <u>30.00</u>
Current use: <u>Residence</u>		
If the location is currently vacant, what was prior use: _____		
Approximately how long has it been vacant: _____		
Proposed use: _____		
Project description: <u>construction of storage shed 8'x10'</u>		
Contractor's name, address & telephone: <u>See</u>		
Who should we contact when the permit is ready: _____		
Mailing address: _____		
We will contact you by phone when the permit is ready. You must come in and pick up the permit and review the requirements before starting any work, with a Plan Reviewer. A stop work order will be issued and a \$100.00 fee if any work starts before the permit is picked up. PHONE: _____		

IF THE REQUIRED INFORMATION IS NOT INCLUDED IN THE SUBMISSIONS THE PERMIT WILL BE AUTOMATICALLY DENIED AT THE DISCRETION OF THE BUILDING/PLANNING DEPARTMENT, WE MAY REQUIRE ADDITIONAL INFORMATION IN ORDER TO APPROVE THIS PERMIT.

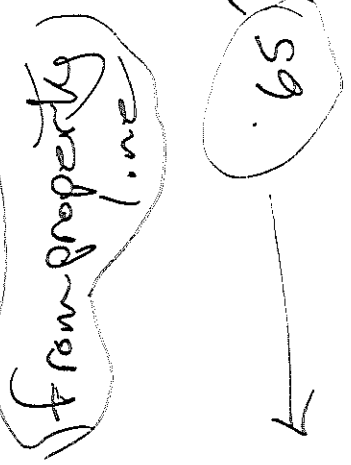
I hereby certify that I am the Owner of record of the named property, or that the owner of record authorizes the proposed work and that I have been authorized by the owner to make this application as his/her authorized agent. I agree to conform to all applicable laws of this jurisdiction. In addition, if a permit for work described in this application is issued, I certify that the Code Official's authorized representative shall have the authority to enter all areas covered by this permit at any reasonable hour to enforce the provisions of the codes applicable to this permit.

Signature of applicant: <u>Kevin Young</u>	Date: <u>04/25/02</u>
--	-----------------------

This is NOT a permit, you may not commence ANY work until the permit is issued. If you are in a Historic District you may be subject to additional permitting and fees with the Planning Department on the 4th floor of City Hall

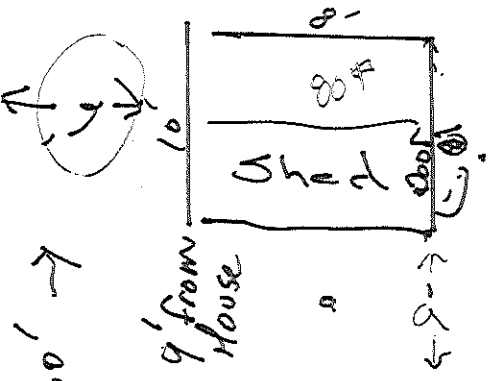


← 80' →



R-3

100ft less maybe 5' from rear side of line
 4200ft² x 25% = 1050ft²
 65' Show



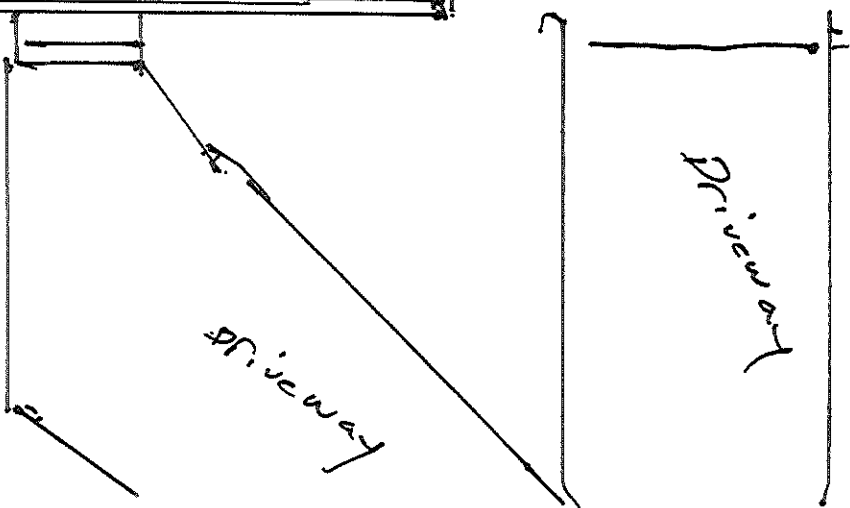
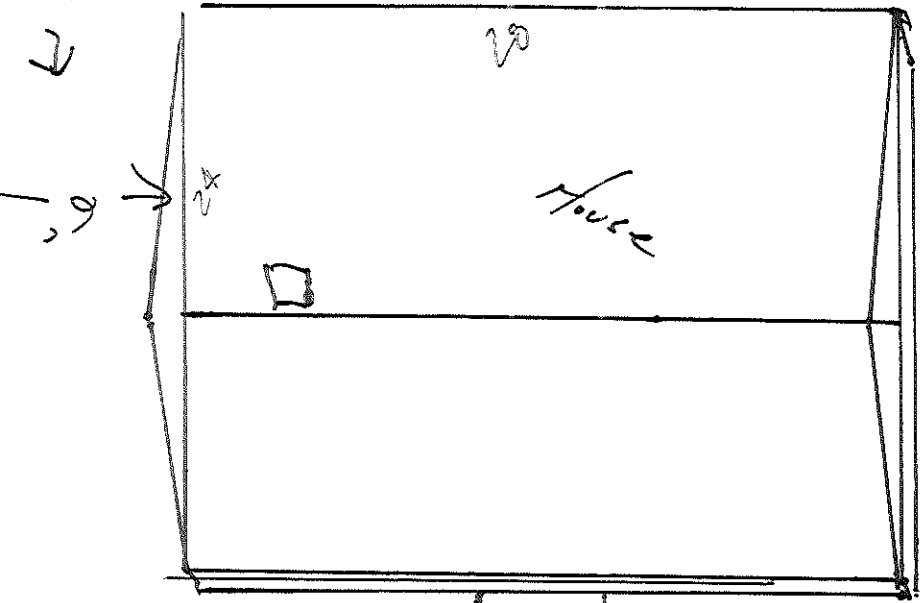
24 x 28 = 672
 8 x 10 = 80

752ft²

Kevin Young @
 119 Rowe Ave
 Site Plan for Shed

Shed to be set on 6' concrete blocks

← 160' →



160'

Permit Application for Kevin Young
119 Howe Ave.

\$580.

Pine +
Waferboard



Burwick - 10' x 8' 10 x 12'; 10' x 16'

PARTS LIST

FRONT WALL

<input type="checkbox"/>	Part TM	1 Pc.	Top Plate	2 x 4 x 72"
<input type="checkbox"/>	Part TD	1 Pc.	Top Plate	2 x 4 x 54"
<input type="checkbox"/>	Part OP	1 Pc.	Bottom Plate	2 x 3 x 59-3/4"
<input type="checkbox"/>	Part LH	1 Pc.	Bottom Plate	2 x 3 x 11-7/8"
<input type="checkbox"/>	Part OW	6 Pcs.	Studs	2 x 3 x 69-3/4"
<input type="checkbox"/>	Part DQ	1 Pc.	Top Plate Connector	1 x 3 x 16"
<input type="checkbox"/>	Part FO	1 Pc.	Door Stop	1 x 3 x 47-7/8"
<input type="checkbox"/>	-----	1 Pc.	Large Wall Panel	48 x 72"
<input type="checkbox"/>	-----	2 Pcs.	Small Wall Panels	11-7/8 x 72"

SIDE WALL

<input type="checkbox"/>	Part VM	2 Pcs.	Top Plates	2 x 6 x 69-1/2"
<input type="checkbox"/>	Part UG	2 Pcs.	Top Plates	2 x 6 x 18"
<input type="checkbox"/>	Part OX	2 Pcs.	Bottom Plates	2 x 3 x 69-1/2"
<input type="checkbox"/>	Part LM	2 Pcs.	Bottom Plates	2 x 3 x 18"
<input type="checkbox"/>	Part OW	10 Pcs.	Studs	2 x 3 x 69-3/4"
<input type="checkbox"/>	-----	2 Pcs.	Wall Panels	48 x 72"
<input type="checkbox"/>	-----	2 Pcs.	Wall Panels	44-5/8 x 72"

REAR WALL

<input type="checkbox"/>	Part OW	1 Pc.	Top Plate	2 x 3 x 69-3/4"
<input type="checkbox"/>	Part OJ	1 Pc.	Top Plate	2 x 3 x 56-1/4"
<input type="checkbox"/>	Part OW	1 Pc.	Bottom Plate	2 x 3 x 69-3/4"
<input type="checkbox"/>	Part OF	1 Pc.	Bottom Plate	2 x 3 x 50-1/4"
<input type="checkbox"/>	Part OW	6 Pcs.	Studs	2 x 3 x 69-3/4"
<input type="checkbox"/>	Part DQ	1 Pc.	Top Plate Connector	1 x 3 x 16"
<input type="checkbox"/>	-----	2 Pcs.	Wall Panels	48 x 72"
<input type="checkbox"/>	-----	1 Pc.	Wall Panel	23-7/8 x 72"

RAFTERS

<input type="checkbox"/>	Part TG	10 Pcs.	Rafters	2 x 4 x 66-1/8"
<input type="checkbox"/>	Part AL	8 Pcs.	Gussets	6 x 24"

GABLE ENDS & FASCIA

<input type="checkbox"/>	-----	4 Pcs.	Gable Panels (2-R; 2-L)	22-3/4 x 63"
<input type="checkbox"/>	Part IM	4 Pcs.	Fascia	1 x 4 x 47-3/16"
<input type="checkbox"/>	Part DQ	2 Pcs.	Gable Connectors	1 x 3 x 16"

ROOF PANELS

<input type="checkbox"/>	-----	4 Pcs.	Roof Panels	48 x 48"
<input type="checkbox"/>	-----	4 Pcs.	Roof Panels	48 x 20"

DOORS

<input type="checkbox"/>	-----	2 Pcs.	Doors	
<input type="checkbox"/>	Part HJ	2 Pc.	Door Trim	1 x 3 x 72"
<input type="checkbox"/>	-----	4 Pcs.	Turnbuckles	
<input type="checkbox"/>	-----	1 Pc.	Waferboard Weatherstrip	1-3/4 x 63-3/4"

TRIM

<input type="checkbox"/>	Part HJ	2 Pcs.	Corner Trim	1 x 3 x 72"
<input type="checkbox"/>	Part CS	4 Pcs.	Corner Trim	1 x 2 x 72"
<input type="checkbox"/>	Part GT	2 Pcs.	Rear Corner Trim	1 x 3 x 71-1/2"
<input type="checkbox"/>	Part GF	4 Pcs.	Roof Trim	1 x 3 x 56-1/2"
<input type="checkbox"/>	Part GD	4 Pcs.	Gable Trim	1 x 3 x 53-7/8"
<input type="checkbox"/>	-----	4 Pcs.	End Caps	3/4 x 6-3/4 x 10-1/4"

HARDWARE:

<input type="checkbox"/>	-----	1 Pkg.	#6d 2" nails, #10d 3" nails, 3/4" screws, 1" screws, 3" screws, continuous hinges, (1) Barrel Bolt, and (1) Swivel Hasp
--------------------------	-------	--------	---

WINDOW

<input type="checkbox"/>	-----	1Pc.	Plywood Window Frame	
<input type="checkbox"/>	-----	1Pc.	Clear Acrylic	
<input type="checkbox"/>	Part BR	2 Pcs.	Shutter Slats	1 x 2 x 27-1/2"
<input type="checkbox"/>	Part BS	2 Pcs.	Shutter Slats	1 x 2 x 29"
<input type="checkbox"/>	Part BT	2 Pcs.	Shutter Slats	1 x 2 x 30"
<input type="checkbox"/>	Part BA	4Pcs.	Shutter Connectors	1 x 2 x 5-3/4"

Clearcut

Permit # 22-0408
CRL # 261-8-57/3


4/24/03 - Work complete - no problems seen with
Trimmy - no blocks or - attracts DIC.


5/9/02 - 2x6 floor joist -
will be on blocks - OK to issue


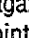
1

FLOOR KIT INSTRUCTIONS CONTINUED

FLOOR PANEL ATTACHMENT:

1-D: Position a 44-5/8 x 96" Floor Panel  on rear side of frame flush to edges of frame, centered along center braces. Secure panel with two (2) 2" nails at the outside corner and one (1) 2" nail at each of inside corners.

1-E: Position 44-5/8 x 23-7/8" Floor Panel  flush against panel and flush to edges of frame.

Position 48 x 96" Floor Panel  and 48 x 23-7/8" Floor Panel  against first two Panels, alternating joint and flush to edges of frame as shown.

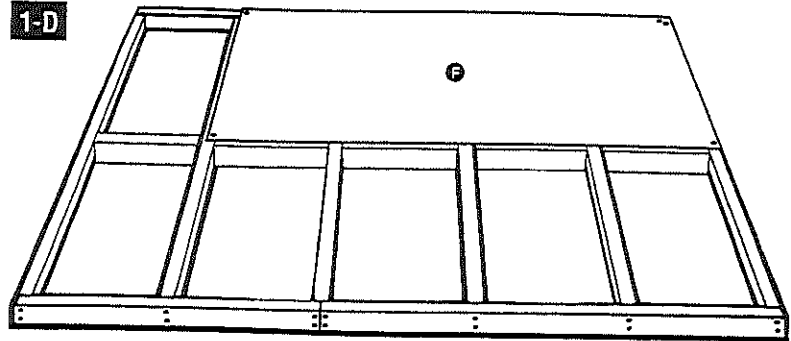
1-F: With all Floor Panels flush to outside edges of frame, nail with 2" nails every 12" through Floor Panels into all Floor Bond Boards, Braces, and Floor Joists



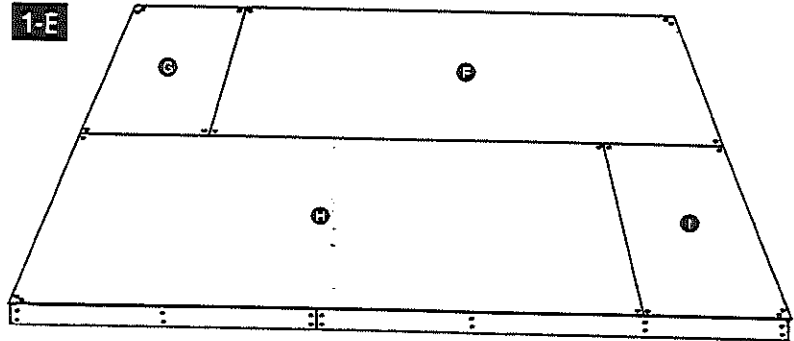
Mark a line on the floor panel over the center of each Floor Joist using a pencil and a piece of lumber from the kit (or use a chalk line) to make nailing easier.

Your Floor is now complete. Be sure it is properly positioned and leveled to ground before beginning assembly of your Handy Home Wooden Storage Building.

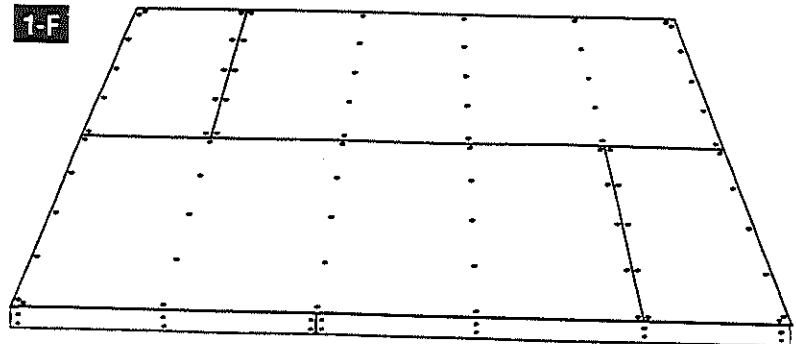
1-D



1-E



1-F



3

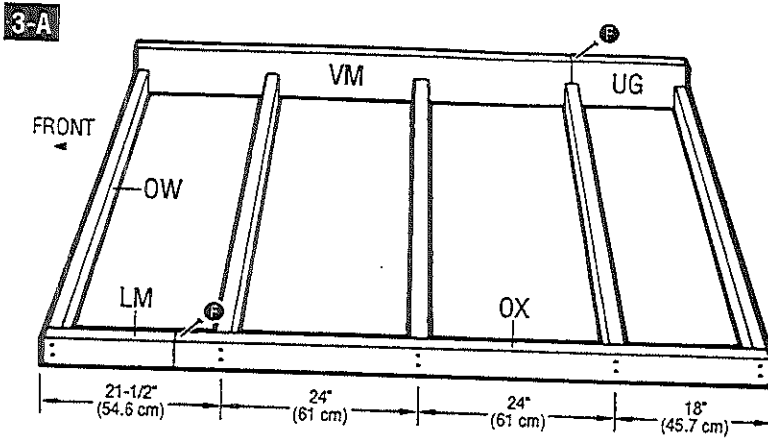
ASSEMBLING SIDE WALLS

Part VM
Part UG
Part OX
Part LM
Part OW

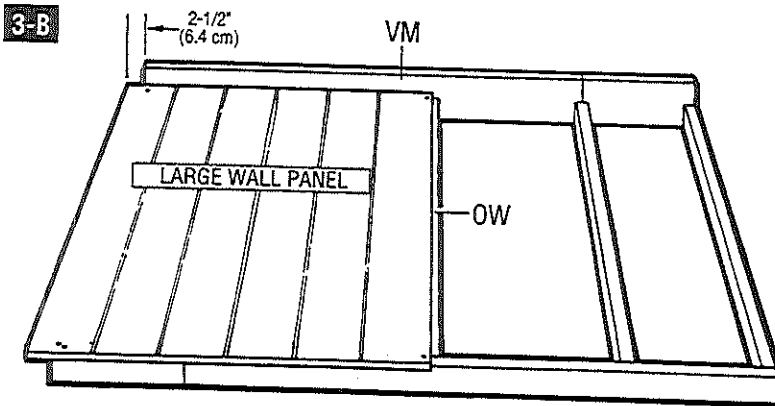
2 Pcs.	Top Plates	2 x 6 x 69-1/2"
2 Pcs.	Top Plates	2 x 6 x 18"
2 Pcs.	Bottom Plates	2 x 3 x 69-1/2"
2 Pcs.	Bottom Plates	2 x 3 x 18"
10 Pcs.	Studs	2 x 3 x 69-3/4"
2 Pcs.	Large Wall Panels	48 x 72"
2 Pcs.	Small Wall Panels	44-5/8 x 72"

ASSEMBLING SIDE WALLS:

3-A: To assemble right Side Wall, arrange Top Plate (Part VM), Top Plate (Part UG), Bottom Plate (Part OX), Bottom Plate (Part LM) and five (5) Studs (Part OW) as shown. Secure Top and Bottom Plates to Studs with two (2) 3" nails through Plates into each end of each Stud. Toe-nail at butt joint with 3" nail at Top and Bottom Plates.



3-B: Position a Large Wall Panel flush to Top Plate (Part VM), overhanging left Stud by 2-1/2", and overhanging Bottom Plate by 3/4". Panel should be centered on Stud. Secure Panel with two (2) 2" nails at lower left corner and one (1) 2" nail at other corners.





CITY OF PORTLAND, MAINE
Department of Building Inspections

April 26 2002

Received from

Kirk Lawrence

Location of Work

112 Rose Ave

Cost of Construction \$ _____

Permit Fee \$ 3000

Building (1L)

Plumbing (1S)

Electrical (1Z)

Site Plan (U2)

Other _____

CBL: 0613057

Check #: 1001

Total Collected \$ 3000

THIS IS NOT A PERMIT

No work is to be started until PERMIT CARD is actually posted upon the premises. Acceptance of fee is no guarantee that permit will be granted. PRESERVE THIS RECEIPT. In case permit cannot be granted the amount of the fee will be refunded upon return of the receipt less \$10.00 or 10% whichever is greater.

WHITE - Applicant's Copy
YELLOW - Office Copy
PINK - Permit Copy

Staple

4

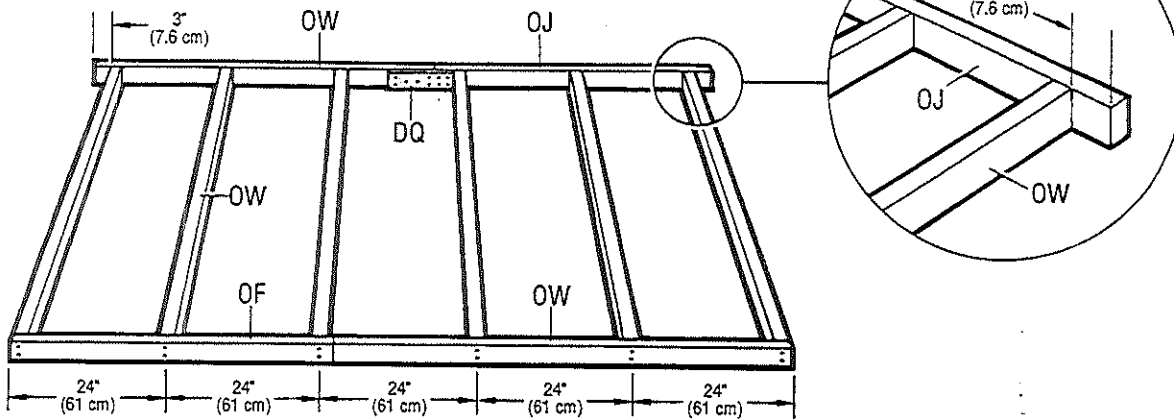
ASSEMBLING REAR WALL

Part OW	✓ 1 Pc.	Top Plate	2 x 3 x 69-3/4"
Part OJ	✓ 1 Pc.	Top Plate	2 x 3 x 56-1/4"
Part OW	✓ 1 Pc.	Bottom Plate	2 x 3 x 69-3/4"
Part OF	1 Pc.	Bottom Plate	2 x 3 x 50-1/4"
Part OW	6 Pcs.	Studs	2 x 3 x 69-3/4"
Part DQ	1 Pc.	Top Plate Connector	1 x 3 x 16"
	2 Pcs.	Large Wall Panels	48 x 72"
	1 Pc.	Small Wall Panel	23-7/8 x 72"

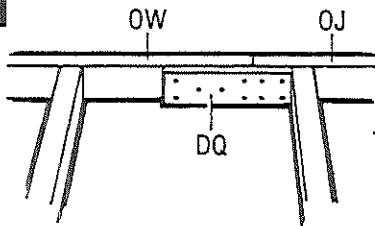
ASSEMBLING REAR WALL:

4-A: Arrange Top Plate (Part OW), and Top Plate (Part OJ), Bottom Plate (Part OW), Bottom Plate (Part OF), Studs (Part OW), and Top Plate Connector (Part DQ) as shown.

4-A



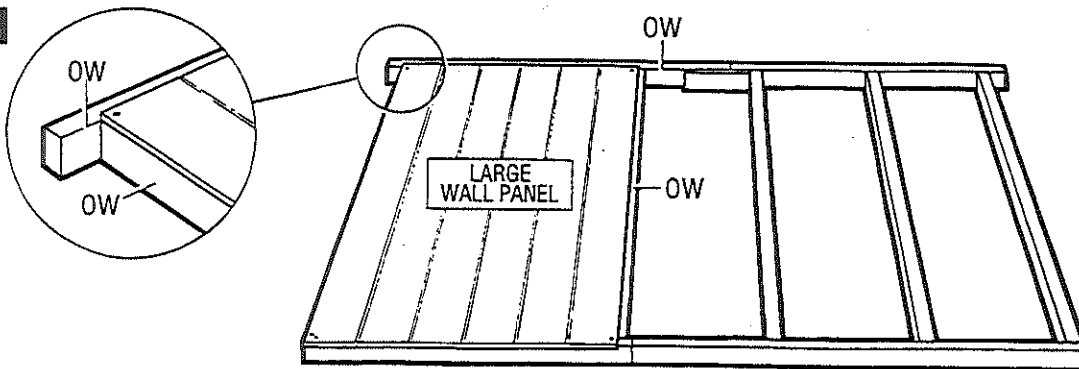
4-B



4-B: With Top Plates (Part OW and Part OJ) butting, secure Top Plate Connector (Part DQ) to Top Plates with ten (10) 2" nails as shown.

4-C: Position Large Wall Panel flush to bottom edge of Top Plate (Part OW), flush to outside edge of left Stud (Part OW), and overhanging Bottom Plates by 3/4". Panel should be centered on third Stud (Part OW). Secure Panel with two (2) 2" nails at lower left corner and one (1) 2" at other corners.

4-C



6

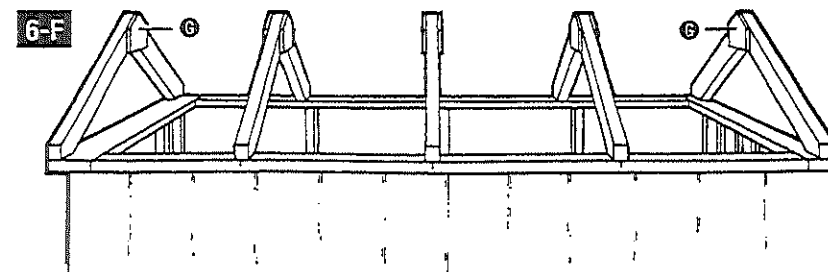
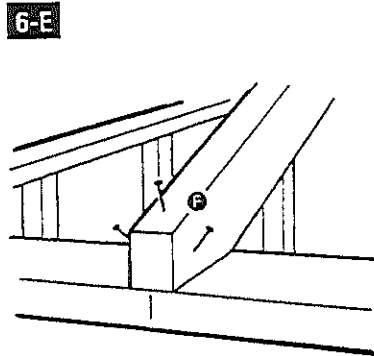
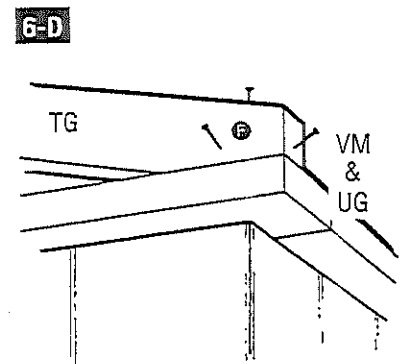
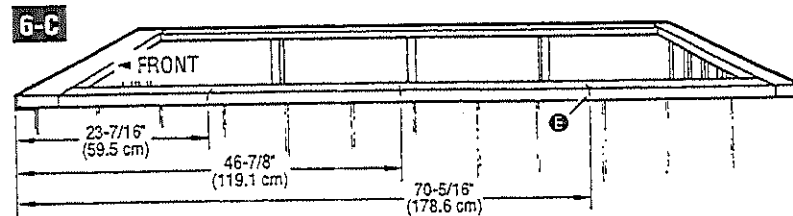
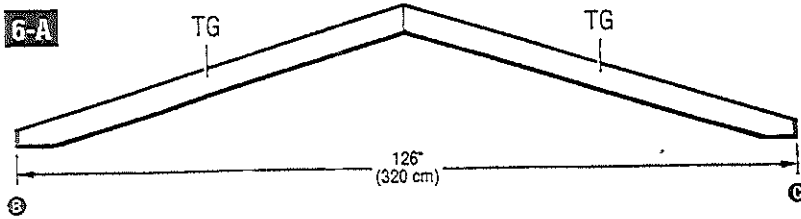
ASSEMBLING AND ERECTING RAFTERS

Part TG
Part OJ

10 Pcs.
8 Pcs.

Rafters
Gussets

2 x 4 x 66-1/8"
6 x 24"



ASSEMBLING AND ERECTING RAFTERS:

- 6-A:** Butt two (2) Rafters (Part TG) at peak, measuring 126" from B to C, as shown.
- 6-B:** Maintaining the 126" width, position Gusset flush at peak and to edge of Rafters. Secure with ten (10) 2" nails as shown. Install second Gusset on other side of Rafters. In same manner, assemble three (3) additional Rafters w Gussets on both sides and two (2) Rafters with Gusset on only one side.
- Glue may be used in combination with nails for additional strength (Glue not supplied with kit).
- 6-C:** On side of Hut, mark dimensions on Top Plates as shown E. On opposite side Hut, mark same dimensions on Top Plates to correspond with first side.
- 6-D:** Position Single Gusset End Rafter flush outside corner of Top Plate. Single Gusset on End Rafters should be facing inside of Hut. Secure with three (3) 3" nails (1 at top & 2 toe-nailed from outside) through Rafter into Top Plate. Secure other side of Rafter in same fashion.
- 6-E:** Center first Rafter on 23-7/16" mark & secure with three (3) 3" nails (1 at top & 1 toe-nailed on each side) as shown F. Secure other side of Rafter in same fashion.
- 6-F:** Install remaining Rafters centered on marks on Top Plates and secure as in Steps 6-D and 6-E. Be sure to keep Single Gusset End Rafter with Gusset facing inside of Hut, as shown G.
- NOTE:** It is important to keep Gusset Single Gusset End Rafter to the inside of Hut.

7

INSTALLING GABLE ENDS AND FASCIA

Part IM
Part DQ

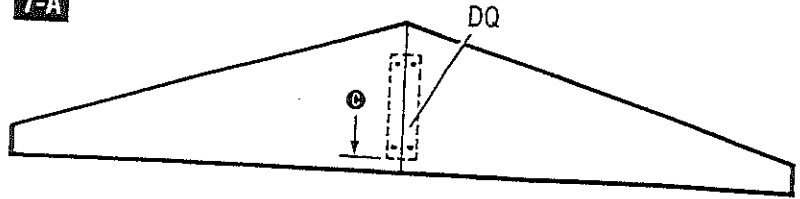
4 Pcs. Gable Panels (2-R; 2-L)
4 Pcs. Fascia
2 Pcs. Gable Connectors

22-3/4 x 63"
1 x 4 x 47-3/16"
1 x 3 x 16"

INSTALLING GABLE ENDS AND FASCIA:

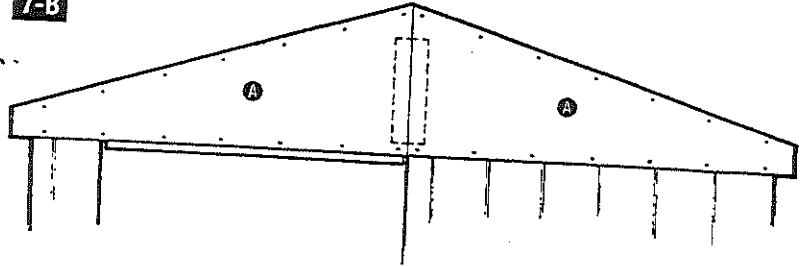
7-A: Butt Gable Panels with Gable Connector (Part DQ) over inside seam 1-3/4" up from bottom as shown **(C)**. Connect with four (4) 1" screws through Panels into Connector.

7-A



7-B: Position Gable Panels flush to peak and to edges of Rafters. Nail with 2" nails every 8" through Panels into Rafters and Top Plate.

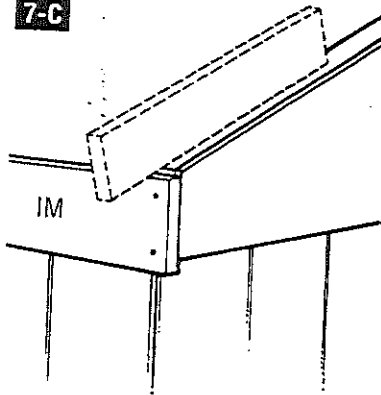
7-B



Install Gable Panels to other side of Hut in same fashion.

7-C: Position 47-3/16" Fascia Panel (Part IM) flush to outside edge of Gable Panel and use wood scrap to clear roof line. Nail with two (2) 2" nails into Rafter and Top Plate.

7-C

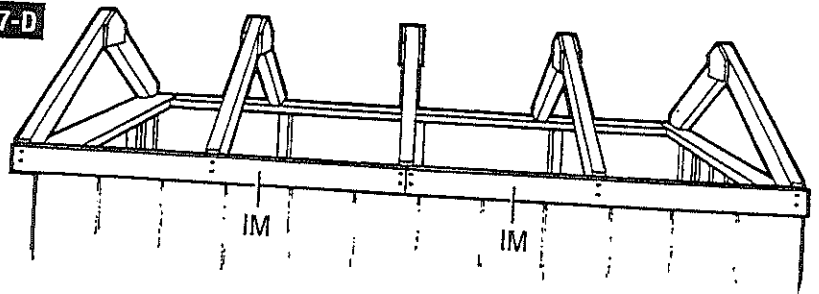


7-D: Continuing to use wood scrap to clear roof line, finish nailing Fascia Panel with two (2) 2" nails into each Rafter and into Top Plate.

Position second Fascia Panel (Part IM) flush to first Fascia Panel and clearing roof line at each Rafter nail with 2" nails into Rafter and Top Plate.

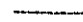
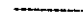
7-E: Install Fascia Panels to other side of Hut in same fashion.

7-D

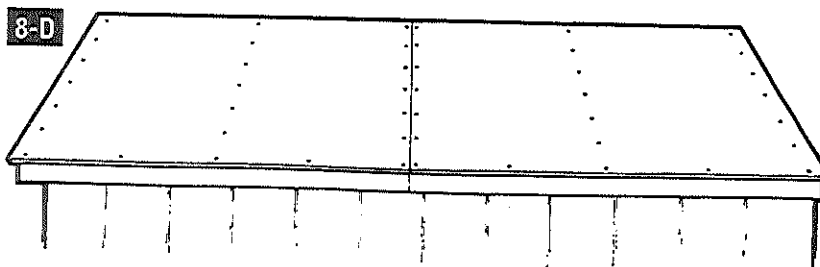
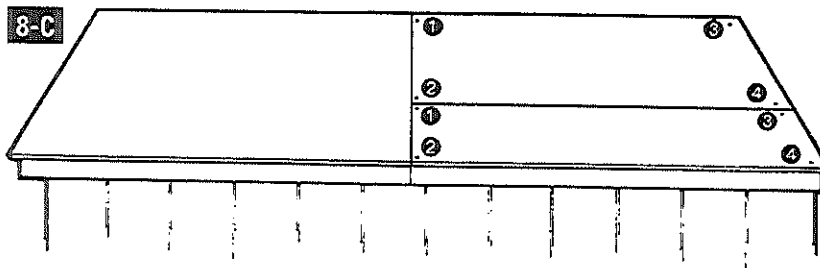
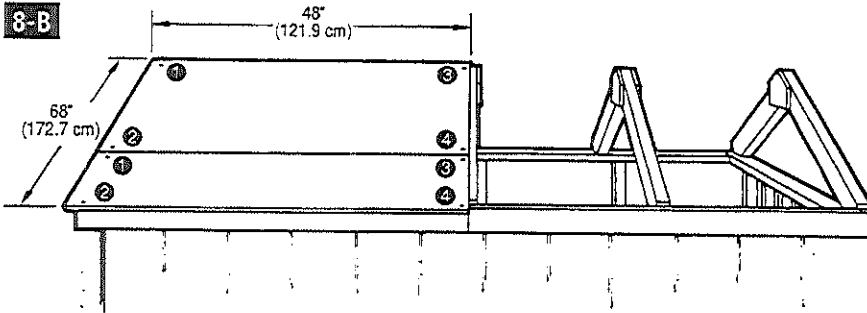
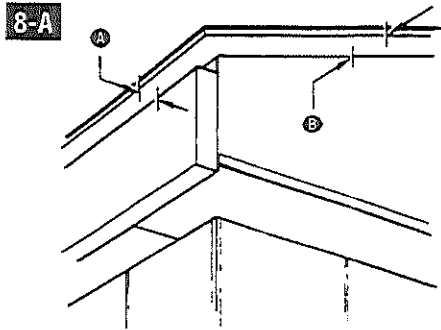


8

APPLYING ROOF PANELS

 4 Pcs. Roof Panels
 4 Pcs. Roof Panels

48 x 48"
 48 x 20"



APPLYING ROOF PANELS

8-A: Upper Large Roof Panel will overhang Gable Panel by 3/4". Lower Small Panel will overhang Fascia by 1/2" as shown **A**, and overhang Gable Panel by 3/4" shown **B**.

8-B: Position Large Roof Panel flush to Rafters and overhanging Gable Panel by 3/4". Nail with 2" nails at corners in sequence shown.

Position lower Small Roof Panel flush to upper Large Roof Panel, overhanging Gable Panel by 3/4" and overhanging Fascia by 1/2" as shown in **8-A**. Nail at corners in sequence shown.

8-C: Position Large Roof Panel flush to other Large Roof Panel, flush to Rafter peak overhanging Gable Panel by 3/4". Nail with 2" nails at corners in sequence shown.

Position Small Roof Panel flush to upper Large Roof Panel and butting to other Small Roof Panel. Panel should overhang Gable Panel by 3/4" and Fascia by 1/2" shown in **8-A**.

8-D: Install the four (4) Roof Panels on opposite side in same manner.

8-E: With all eight (8) Roof Panels properly positioned, finish nailing with 2" nails every 12" into all Rafters and Fascia Panels.

BUILDING PERMIT INSPECTION PROCEDURES

Please call 874-8703 or 874-8693 to schedule your inspections as agreed upon

Permits expire in 6 months, if the project is not started or ceases for 6 months.

The Owner or their designee is required to notify the inspections office for the following inspections and provide adequate notice. Notice must be called in 48-72 hours in advance in order to schedule an inspection:

By initializing at each inspection time, you are agreeing that you understand the inspection procedure and additional fees from a "Stop Work Order" and "Stop Work Order Release" will be incurred if the procedure is not followed as stated below.

JK Pre-construction Meeting: Must be scheduled with your inspection team upon receipt of this permit. Jay Reynolds, Development Review Coordinator at 874-8632 must also be contacted at this time, before any site work begins on any project other than single family additions or alterations.

N/A Footing/Building Location Inspection: Prior to pouring concrete

N/A Re-Bar Schedule Inspection: Prior to pouring concrete

N/A Foundation Inspection: Prior to placing ANY backfill

JK Framing/Rough Plumbing/Electrical: Prior to any insulating or drywalling

JK Final/Certificate of Occupancy: Prior to any occupancy of the structure or use. NOTE: ~~There is a \$75.00 fee per inspection at this point.~~

no CO of necessary

Certificate of Occupancy is not required for certain projects. Your inspector can advise you if your project requires a Certificate of Occupancy. All projects DO require a final inspection

 If any of the inspections do not occur, the project cannot go on to the next phase, REGARDLESS OF THE NOTICE OR CIRCUMSTANCES.

 CERIFICATE OF OCCUPANICES MUST BE ISSUED AND PAID FOR, BEFORE THE SPACE MAY BE OCCUPIED

Kevin Jones
Signature of applicant/designee

5/10/02
Date

[Signature]
Signature of Inspections Official

5/10/02
Date

CBL: 2613057 Building Permit #: 02 0408

*Applicant will call for setback and FINA1
AT same time. Understands setbacks, framing exposed*