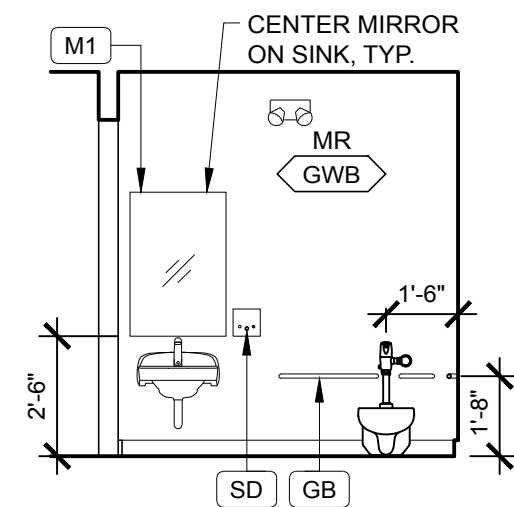
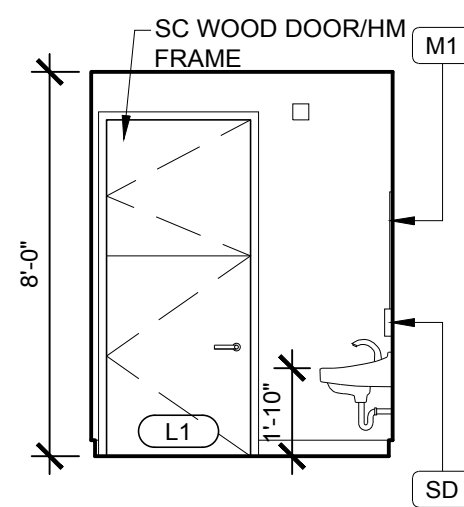
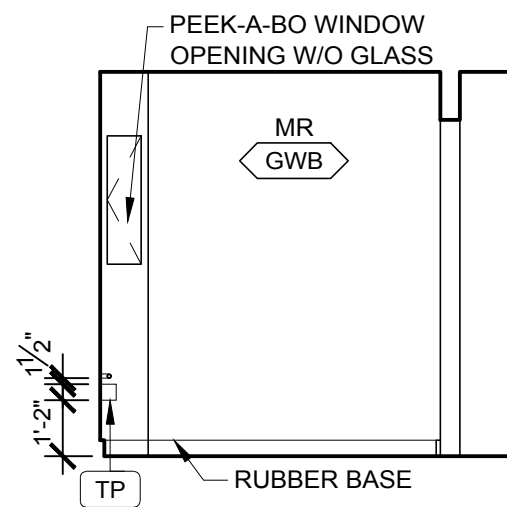
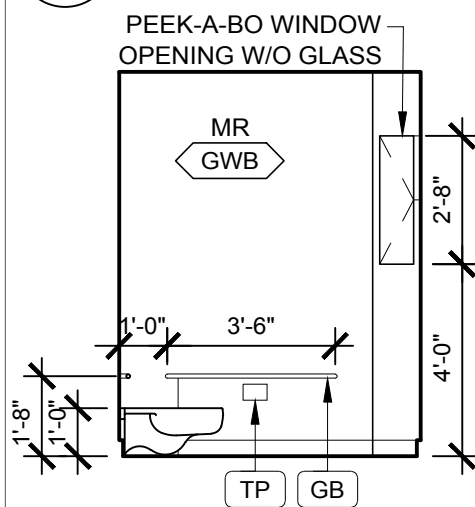
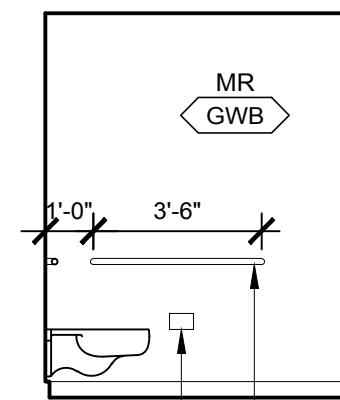
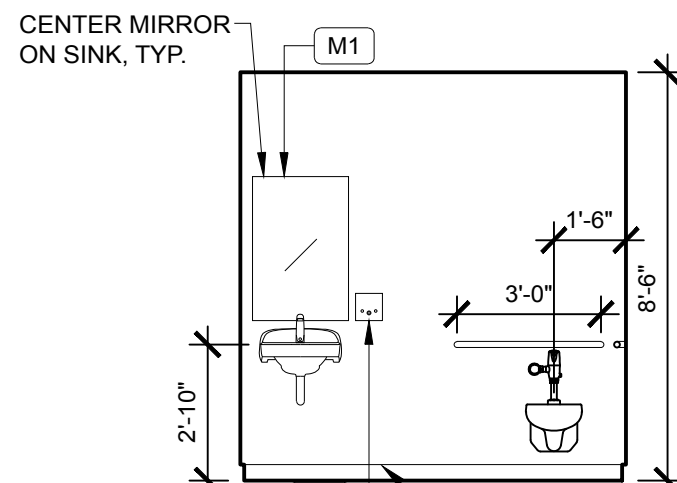
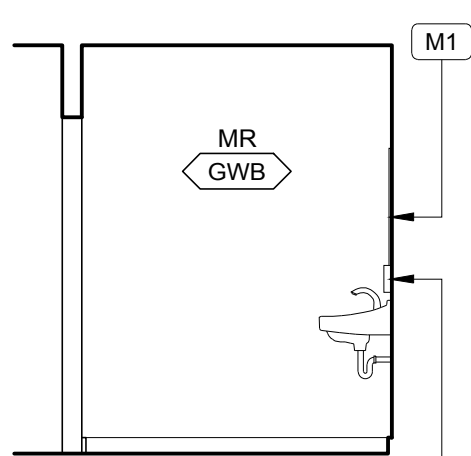
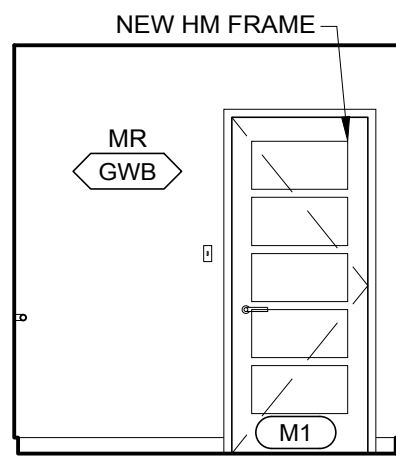


1 LOWER LEVEL WASHROOM 1 INTERIOR ELEVATIONS
SCALE: 1/4" = 1'-0"

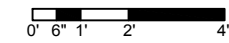
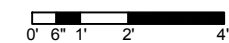
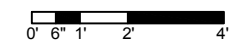


2 LOWER LEVEL WASHROOM 2 INTERIOR ELEVATIONS
SCALE: 1/4" = 1'-0"

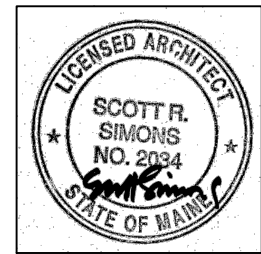


3 MAIN LEVEL WASHROOM INTERIOR ELEVATIONS
SCALE: 1/4" = 1'-0"

NOTE: ALL PLUMBING ACCESSORIES TO BE PROVIDED BY OWNER



75 York Street
Portland, Maine 04021
simonsarchitects.com
207.772.4656



INTERIOR ELEVATIONS

BREAKWATER CODE + TOILETS
856 BRIGHTON AVE, PORTLAND MAINE 04102

DRAWING TITLE:

PROJECT NAME:

THIS DRAWING IS THE PROPERTY OF SCOTT SIMONS ARCHITECTS AND IS NOT TO BE COPIED OR REPRODUCED IN PART OR WHOLE. 2015 © SCOTT SIMONS ARCHITECTS, LLC

DATE OF ISSUE:

04.19.17

DESCRIPTION:

PERMIT SET

SCALE:

PROJECT NUMBER:

2016-0030

A500