

**DET. 'A'**  
SIMPLE YURT  
SECTION

**A5 of 5**

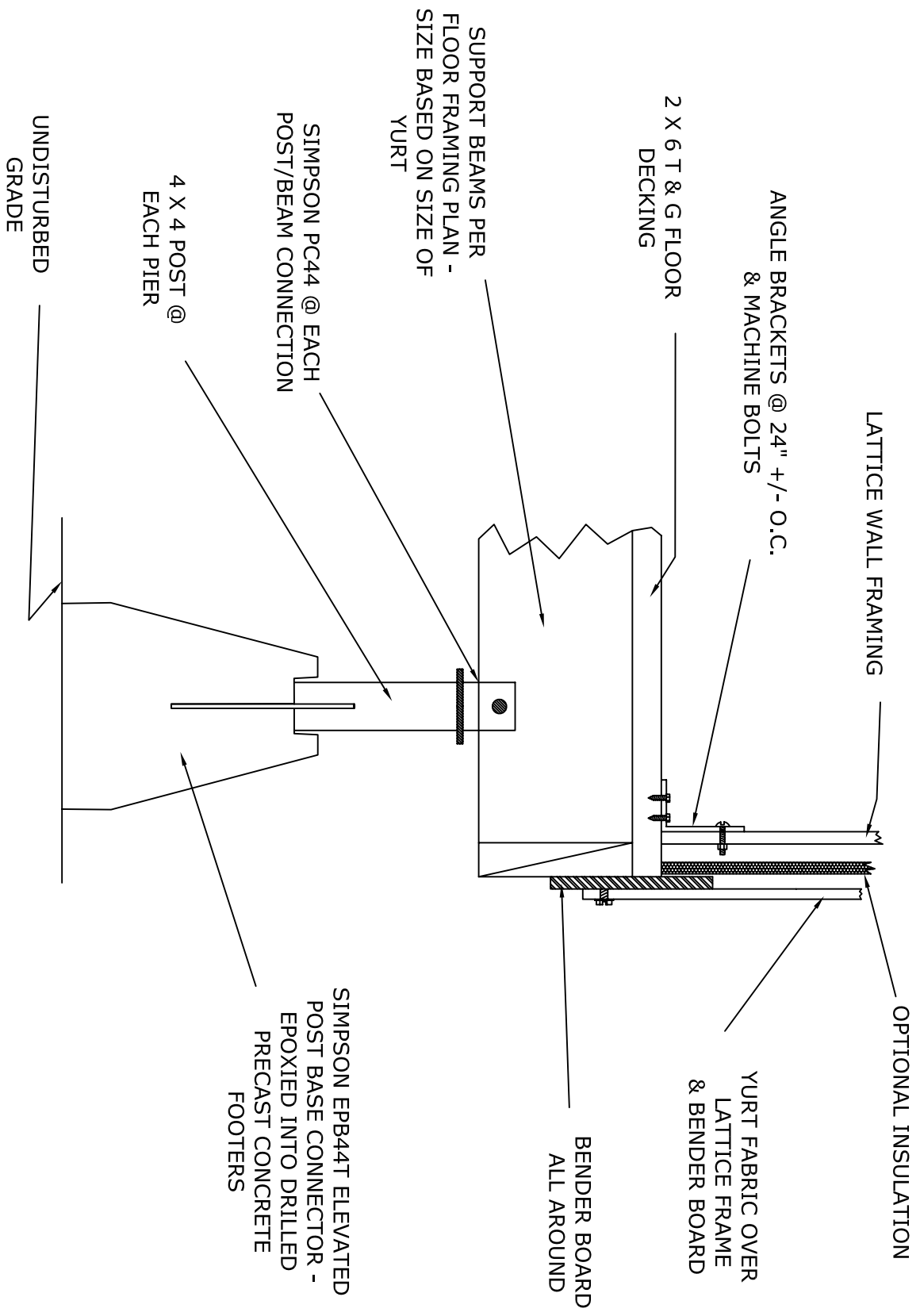
1

Undisturbed  
Grade

**SECTION**

Simpson EPB44T Elevated Post Base Connector - epoxied into drilled precast concrete footers

CONSULT YOUR CONSTRUCTION MANUAL FOR INSTALLATION OF WALLS, ROOF, FABRIC, LACING, DOME, & PROPER HEIGHTS OF ALL. THIS IS A 24 FT SIMPLE YURT DECK, ALL OTHER SIZES ARE SIMILAR, USE SPECIFIC PLANS FOR FOOTER LOCATIONS, ETC



1

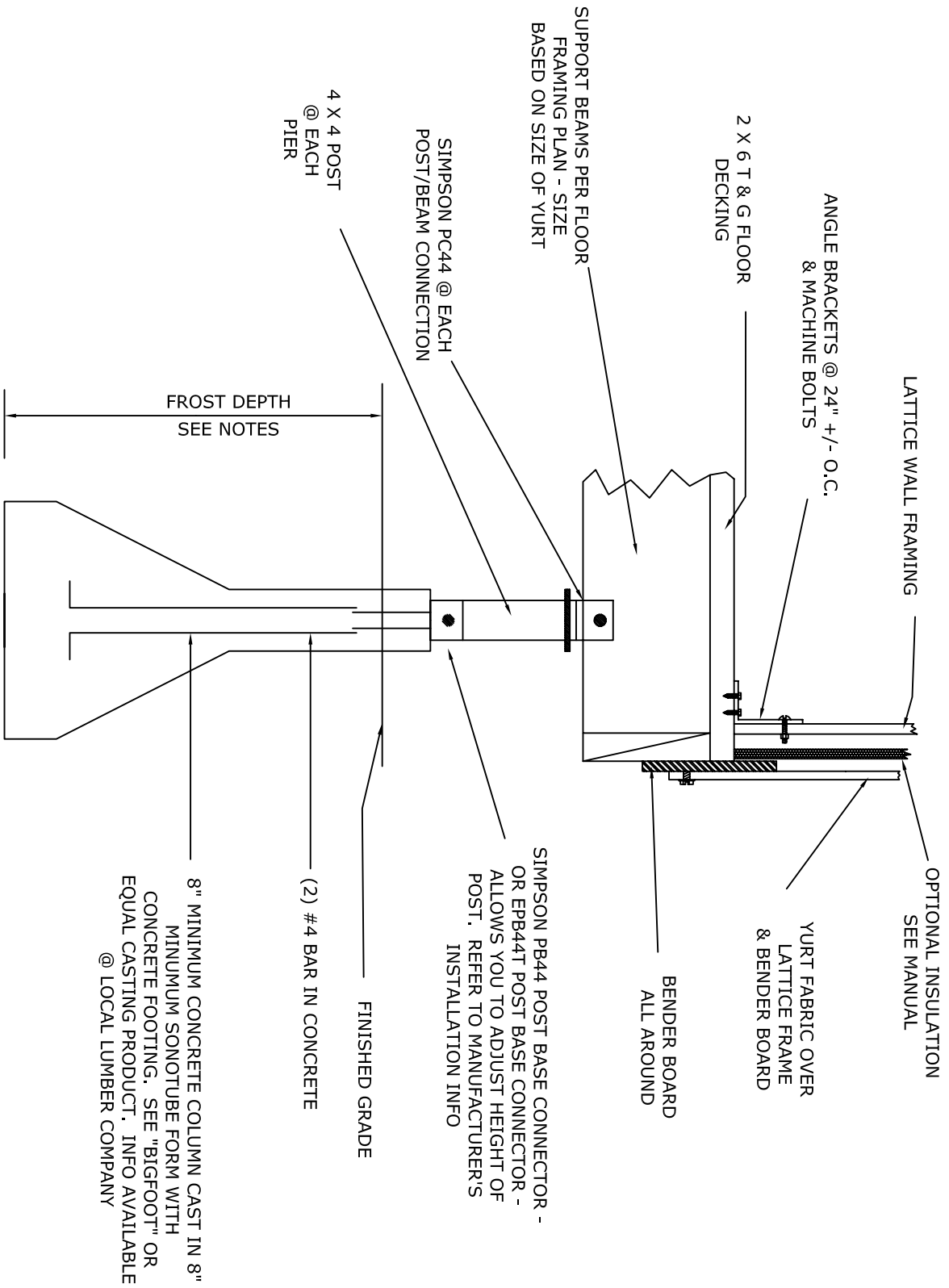
# FDN DETAIL

**DET. #1**  
SIMPLE YURT  
FOUNDATION

---

**S1 of 5**

THIS DETAIL IS FOR A "SIMPLE" YURT DECK THIS DEPICTS A FOUNDATION STRUCTURE THAT CAN BE DISASSEMBLED AND REASSEMBLED. BLOCKING & POST CONNECTIONS BETWEEN BEAMS WILL CREATE A STRONGER MORE RIGID FLOOR SYSTEM.

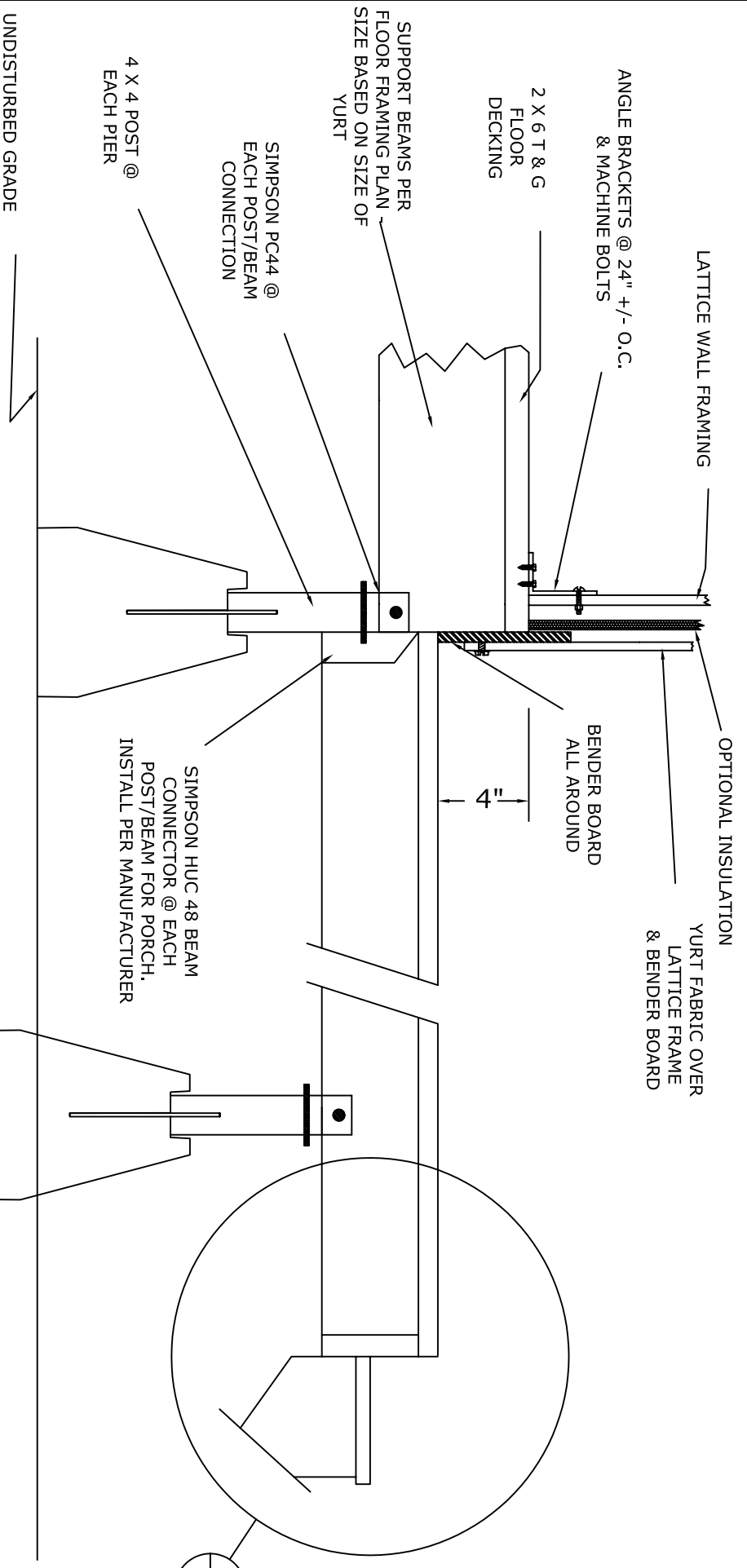


# FDN DETAIL

2

DET. #2  
SIMPLE YURT  
FOUNDATION  
S2 of 5

NOTES: VERIFY WITH YOUR LOCAL BUILDING DEPT. FOR EXACT FROST DEPTH. THIS DETAIL DEPICTS A PERMANENT FOUNDATION, IT WILL CREATE A MORE SOLID SUBSTRUCTURE, PROTECTING AGAINST GROUND MOVEMENT, DUE TO FREEZE/THAW SITUATIONS. BLOCKING @ POST CONNECTIONS BETWEEN BEAMS WILL CREATE A MORE RIGID FLOOR SYSTEM.



LATTICE WALL FRAMING

ANGLE BRACKETS @ 24" +/- O.C.  
& MACHINE BOLTS

2 X 6 T & G  
FLOOR  
DECKING

SUPPORT BEAMS PER  
FLOOR FRAMING PLAN -  
SIZE BASED ON SIZE OF  
YURT

SIMPSON PC44 @  
EACH POST/BEAM  
CONNECTION

4 X 4 POST @  
EACH PIER

UNDISTURBED GRADE

OPTIONAL INSULATION

YURT FABRIC OVER  
LATTICE FRAME  
& BENDER BOARD

BENDER BOARD  
ALL AROUND

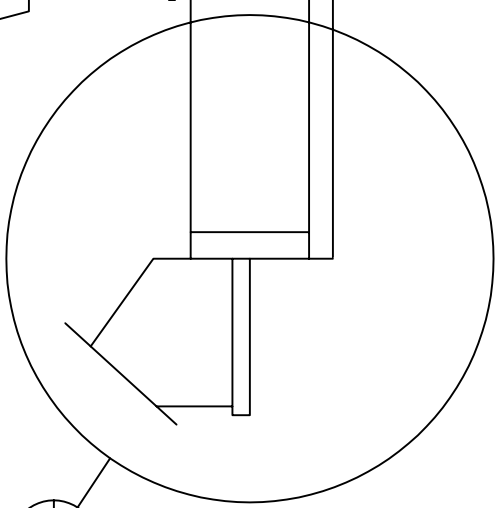
4"

SIMPSON HUC 48 BEAM  
CONNECTOR @ EACH  
POST/BEAM FOR PORCH.  
INSTALL PER MANUFACTURER

3

# PORCH DETAIL

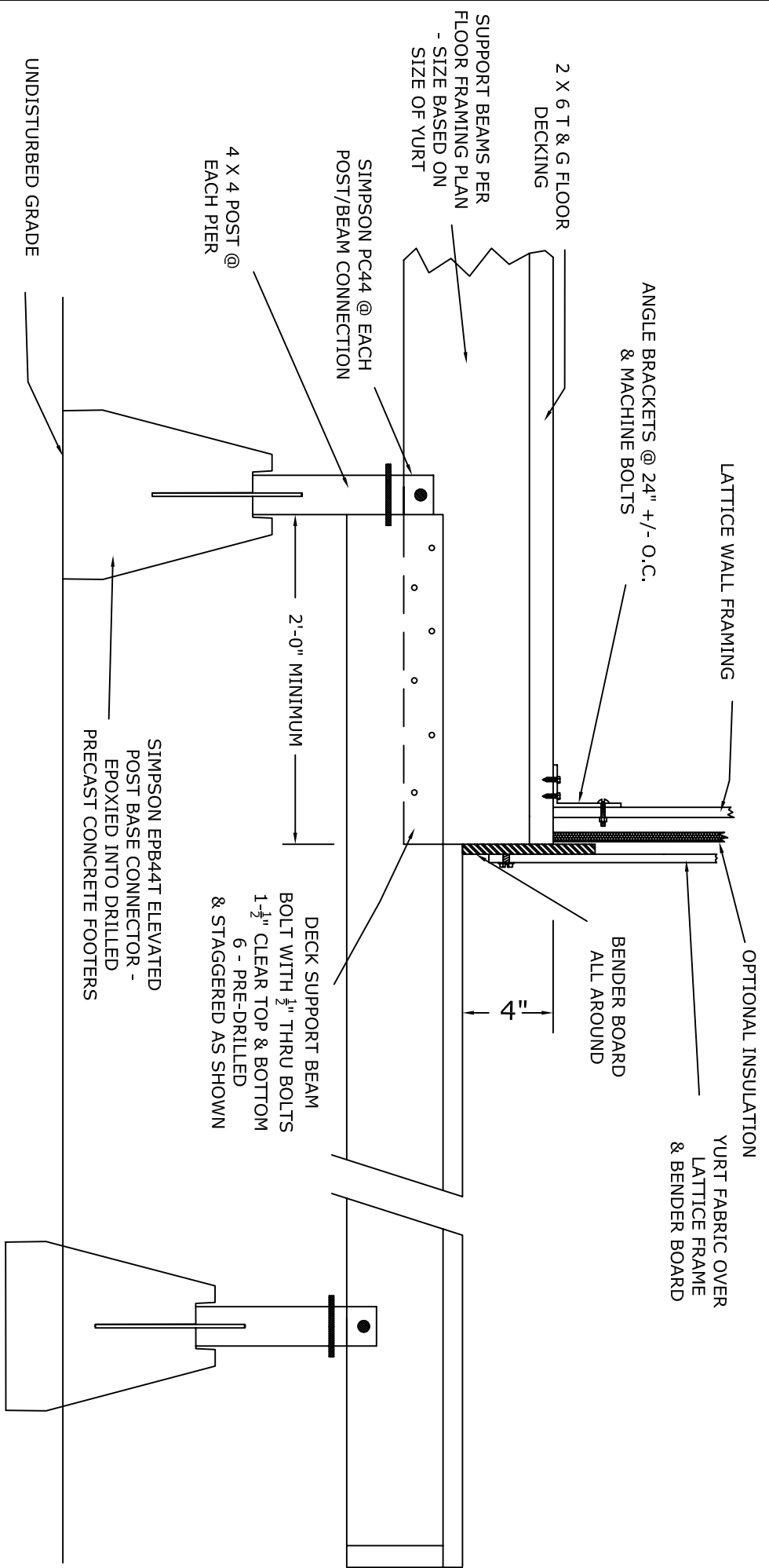
NOTE: THIS DETAIL CANNOT BE USED WITH  
CANTILEVERED BEAM LAYOUTS.  
INSTALL ALL SIMPSON CONNECTORS PER  
MANUFACTURER INSTRUCTIONS.



6  
5

SIMPSON EPB44T ELEVATED  
POST BASE CONNECTOR -  
EPOXIED INTO DRILLED  
PRECAST CONCRETE  
FOOTERS

<h2>DET. #3</h2> <p>SIMPLE YURT FOUNDATION</p>
<h2>S3 of 5</h2>



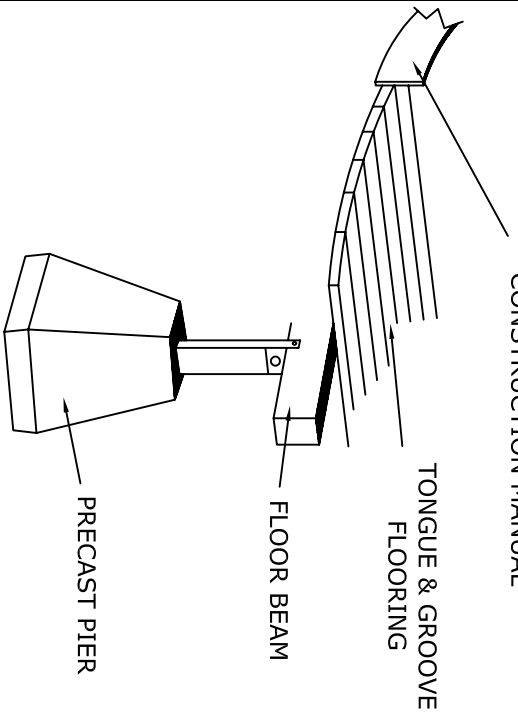
**DET. #4**  
 SIMPLE YURT  
 FOUNDATION  
**S4 of 5**

**4**

**PORCH DETAIL**

NOTE: THIS DETAIL CANNOT BE USED WITH ANY BEAMS SMALLER THAN A 4 X 8

BENDER BOARD INSTALL PER  
CONSTRUCTION MANUAL

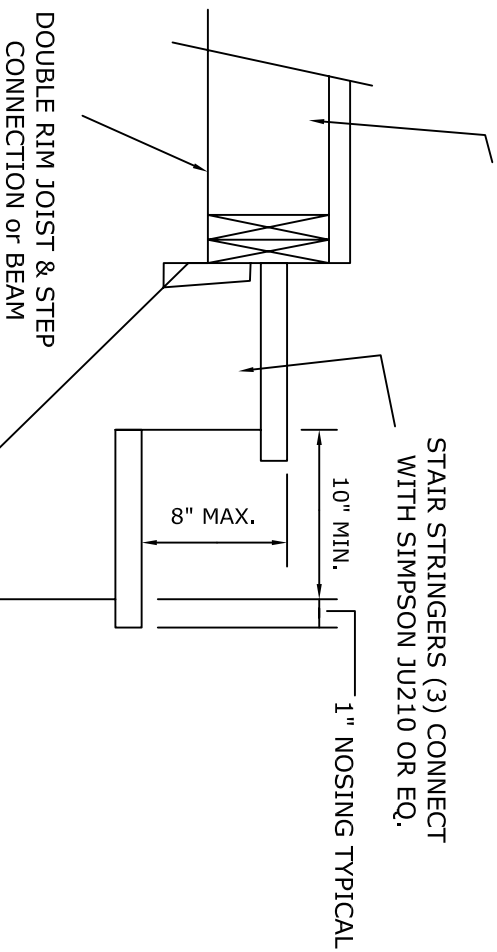


## DETAIL

5

NTS

PORCH JOISTS WITH 2 X 6  
EXTERIOR DECKING



## STAIR DETAIL

6

NTS

Note: The bender board is used to surround and retain the lattice of the yurt. It should attach to the perimeter of the raised "footprint" portion of the deck so that it clears the surface the lattice wall attaches to by 2-3" (do not exceed 3- $\frac{1}{2}$ "). Leave a 48" gap in your bender board for each door in your yurt. (54" gap for French doors).

The bender board can be attached *outside* of the finished size of the footprint. For example, a 20' yurt footprint equals 20' diameter *plus* the thickness of the bender board.

Choose an appropriate material for your bender board:  $\frac{1}{2}$ " CDX plywood, or two layers or  $\frac{3}{8}$ " mahogany plywood. In damp areas use pressure treated plywood, redwood, Trex 1x fascia (or comparable) or equal.

DET. # 5 & 6
SIMPLE YURT FOUNDATION
<b>S5 of 5</b>