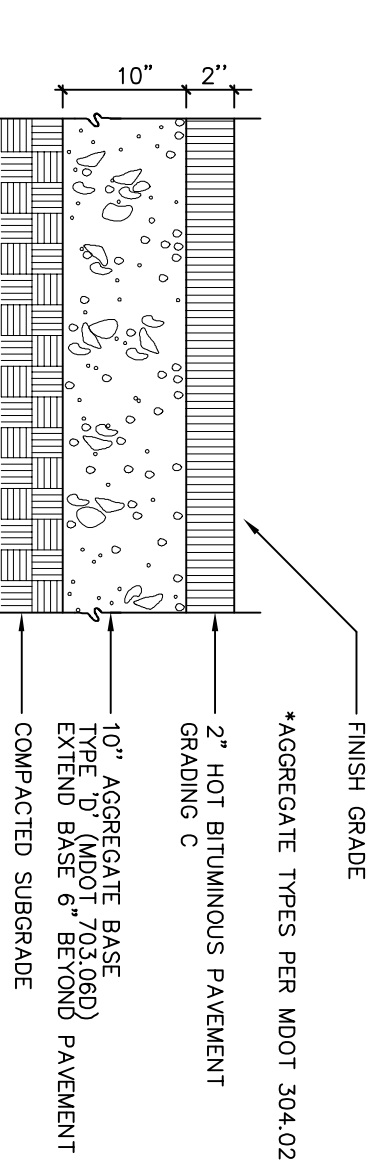
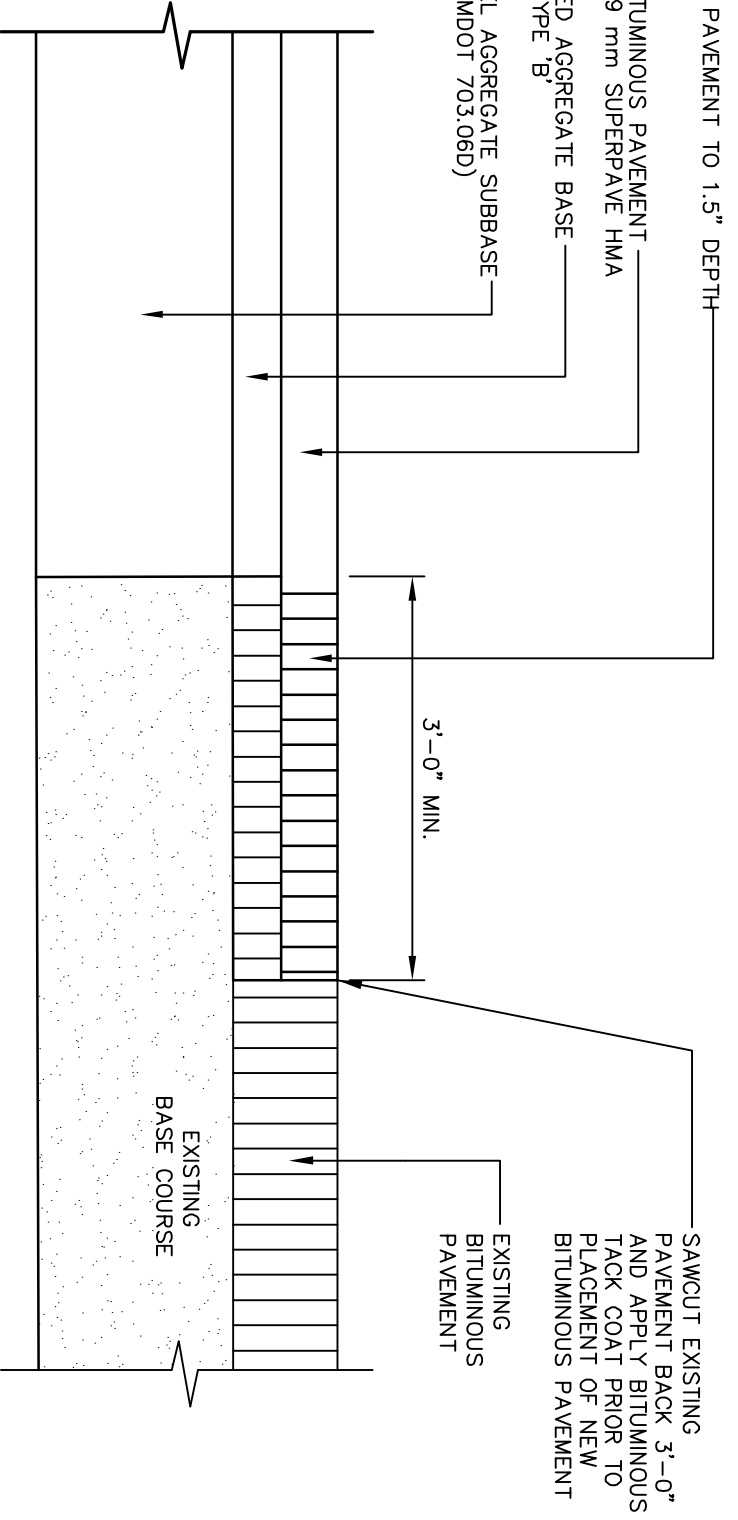


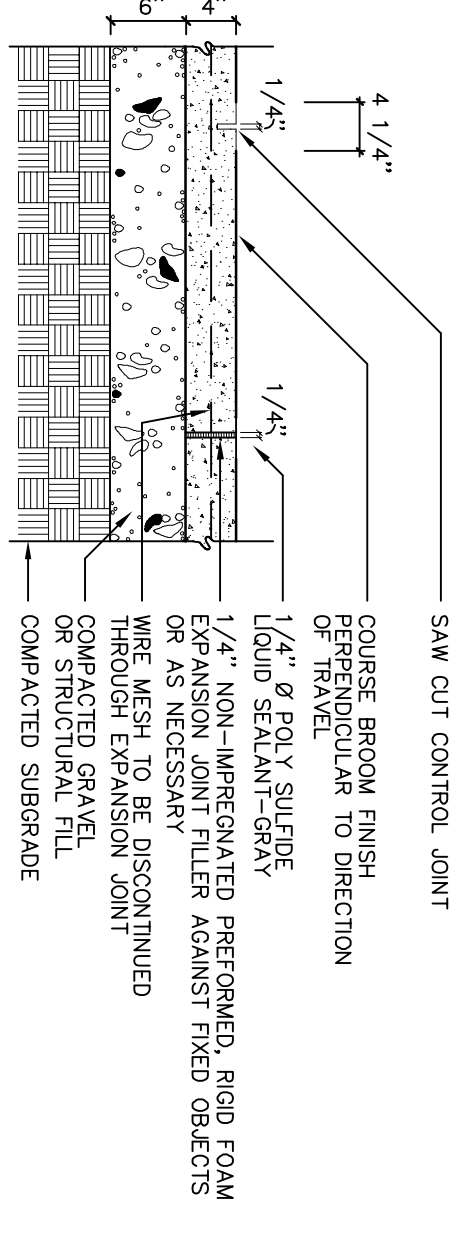
**1 BITUMINOUS PAVEMENT - PARKING**  
NOT TO SCALE



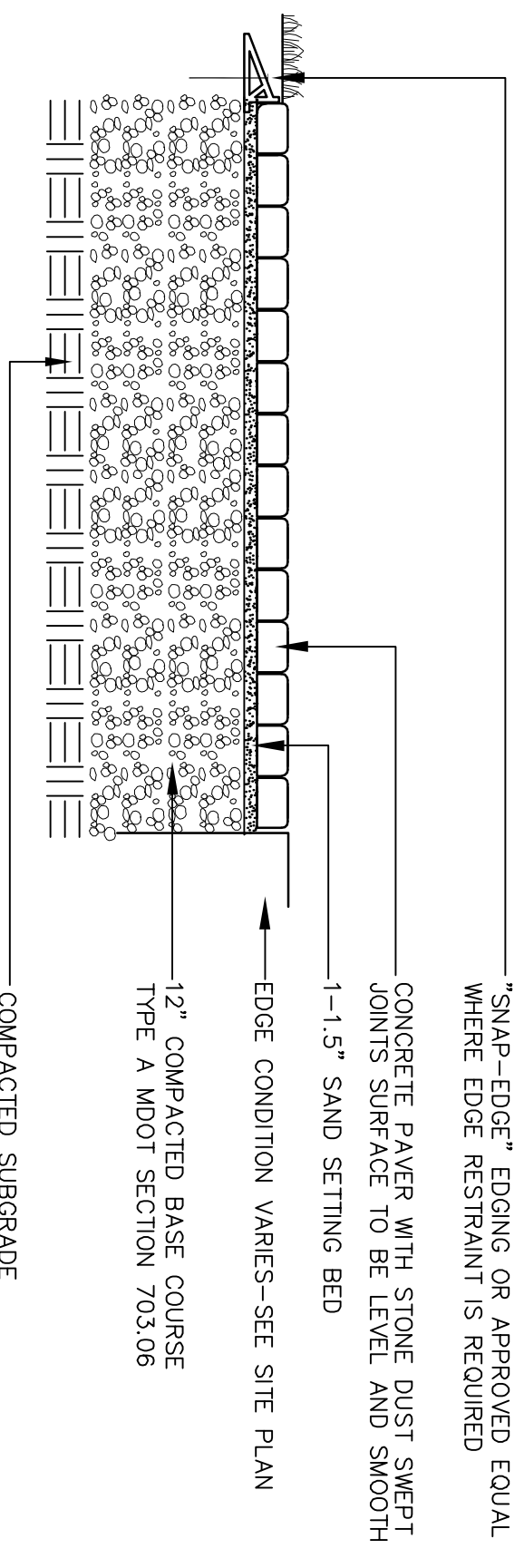
**2 BITUMINOUS WALKWAYS & SIDEWALK**  
NOT TO SCALE



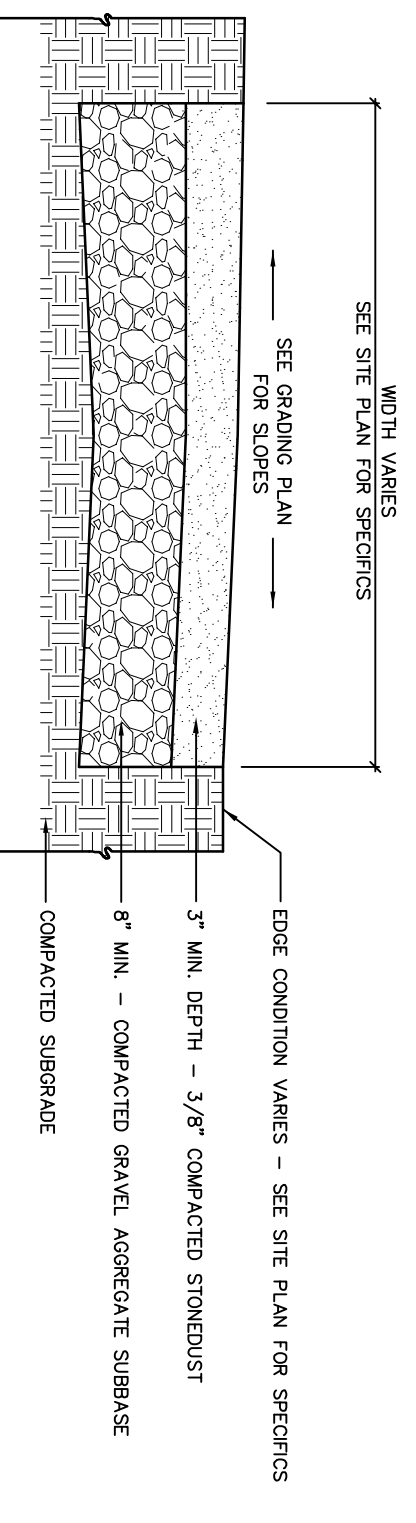
**3 PAVEMENT SAWCUT DETAIL**  
NOT TO SCALE



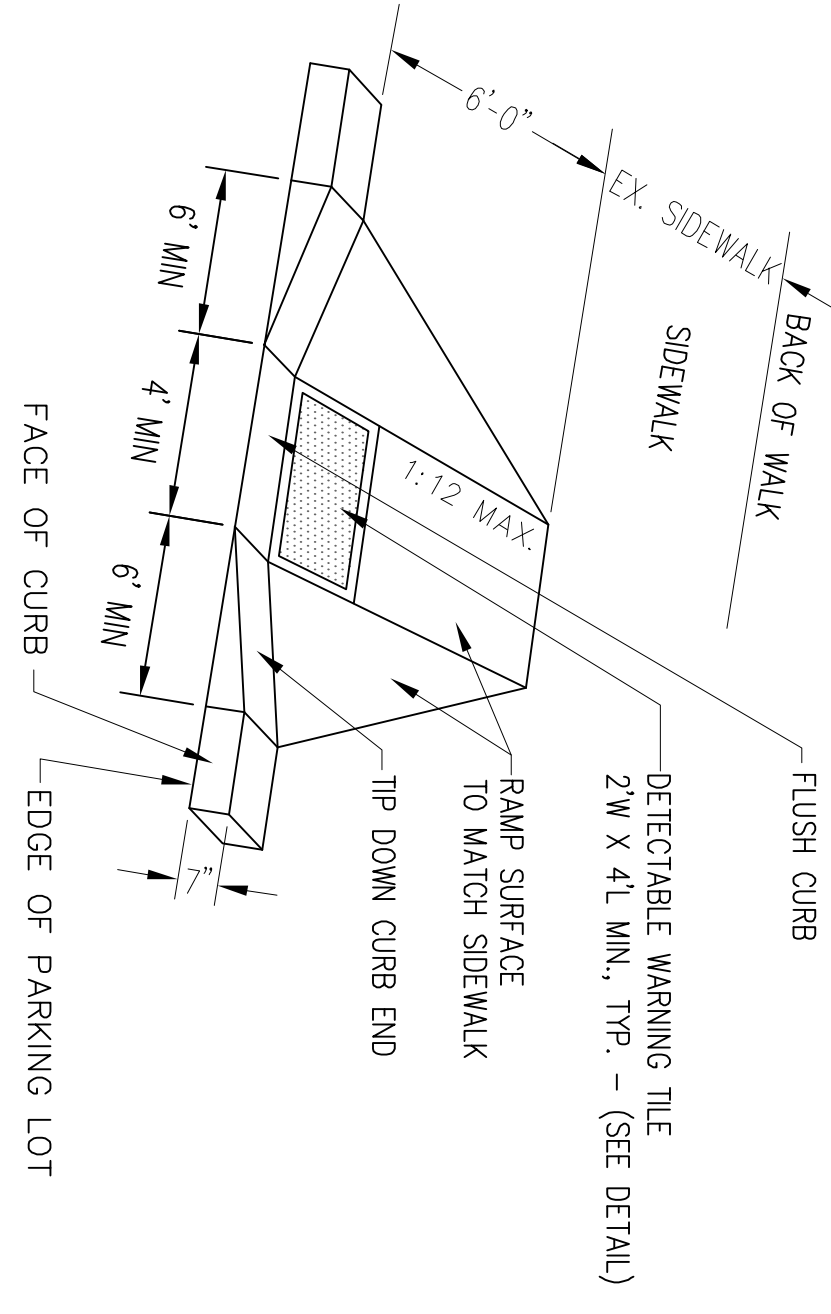
**4 CONCRETE WALK**  
NOT TO SCALE



**5 CONCRETE PAVERS**  
NOT TO SCALE

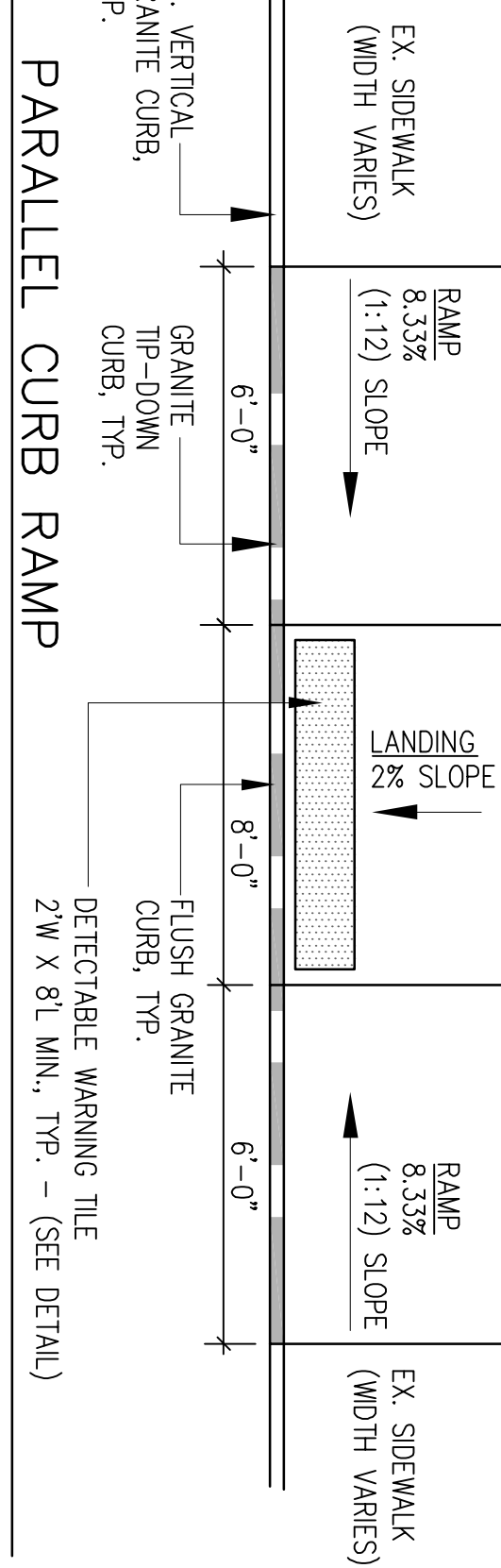


**6 STONEDUST AREAS**  
NOT TO SCALE

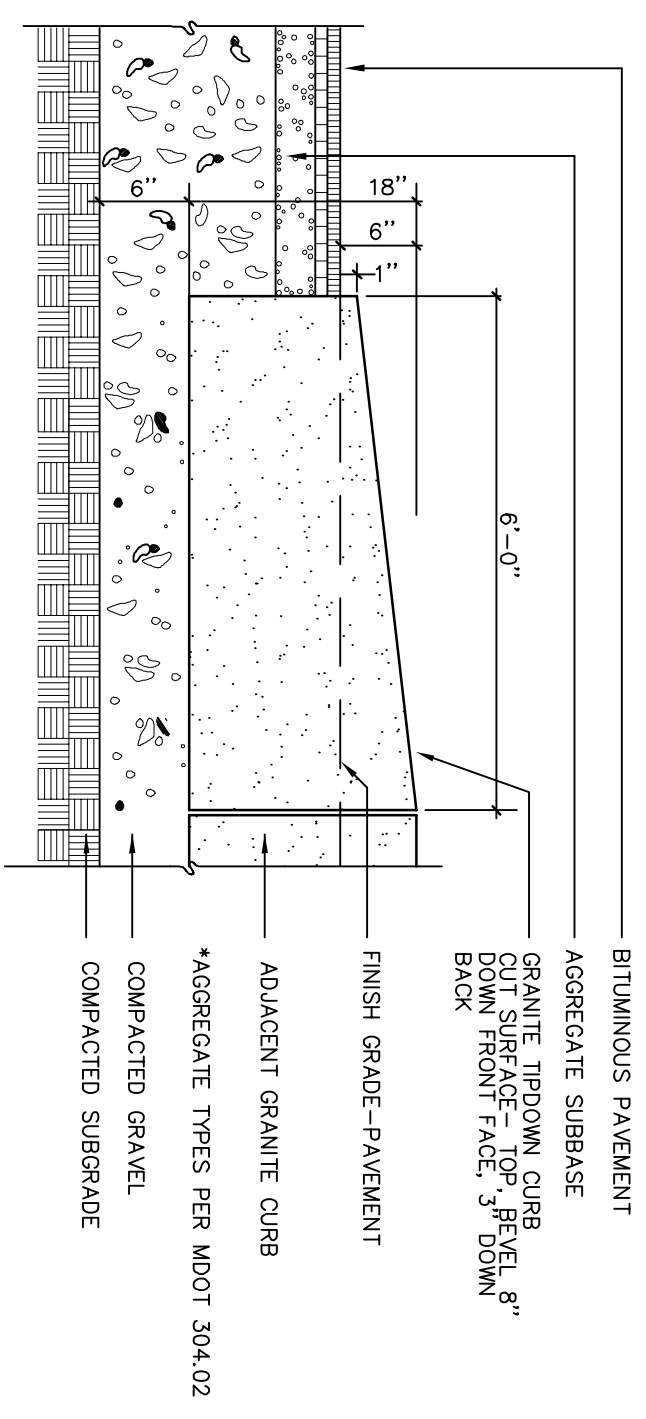


**7 HC SIDEWALK RAMP**  
NOT TO SCALE

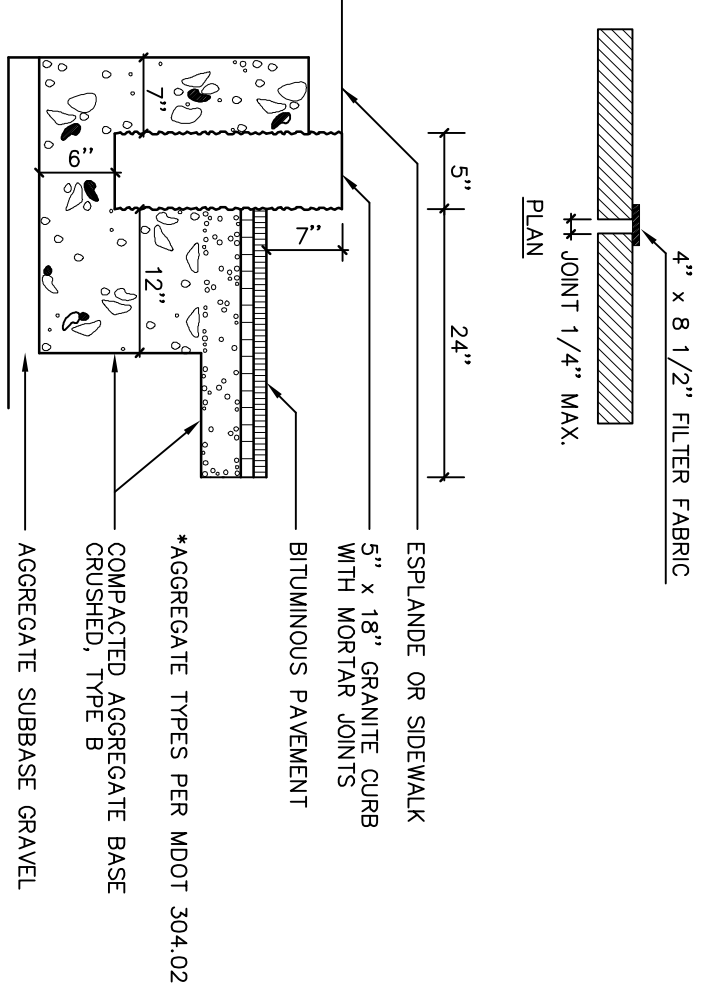
- NOTES:**
1. ALL RAMPS SHALL COMPLY WITH ADA STANDARDS.
  2. SIDEWALK MATERIAL PER CITY STANDARDS.
  3. RAMP MATERIAL TO MATCH ADJACENT SIDEWALK.



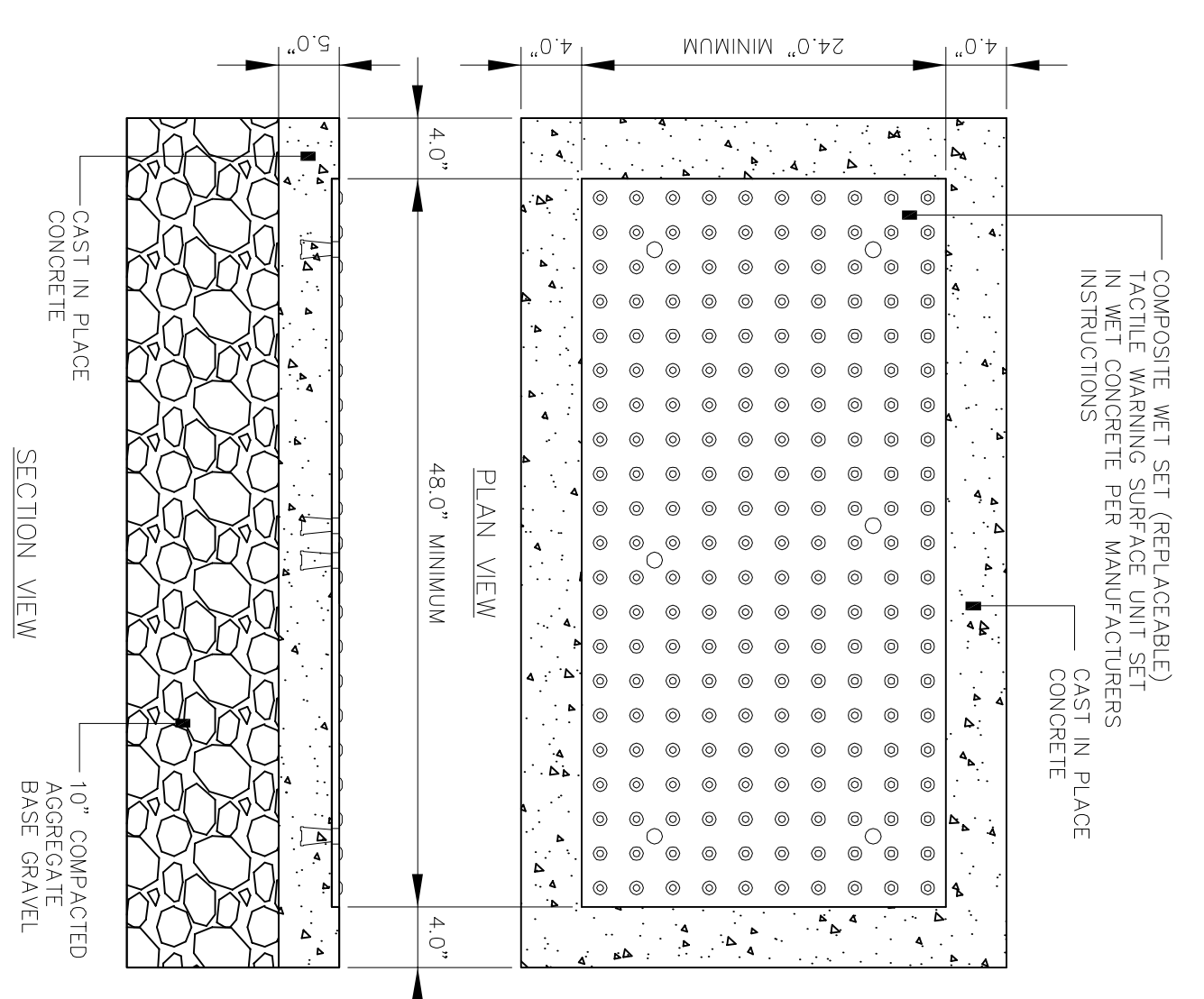
**8 PARALLEL CURB RAMP**  
NOT TO SCALE



**9 GRANITE TIP-DOWN CURB**  
NOT TO SCALE

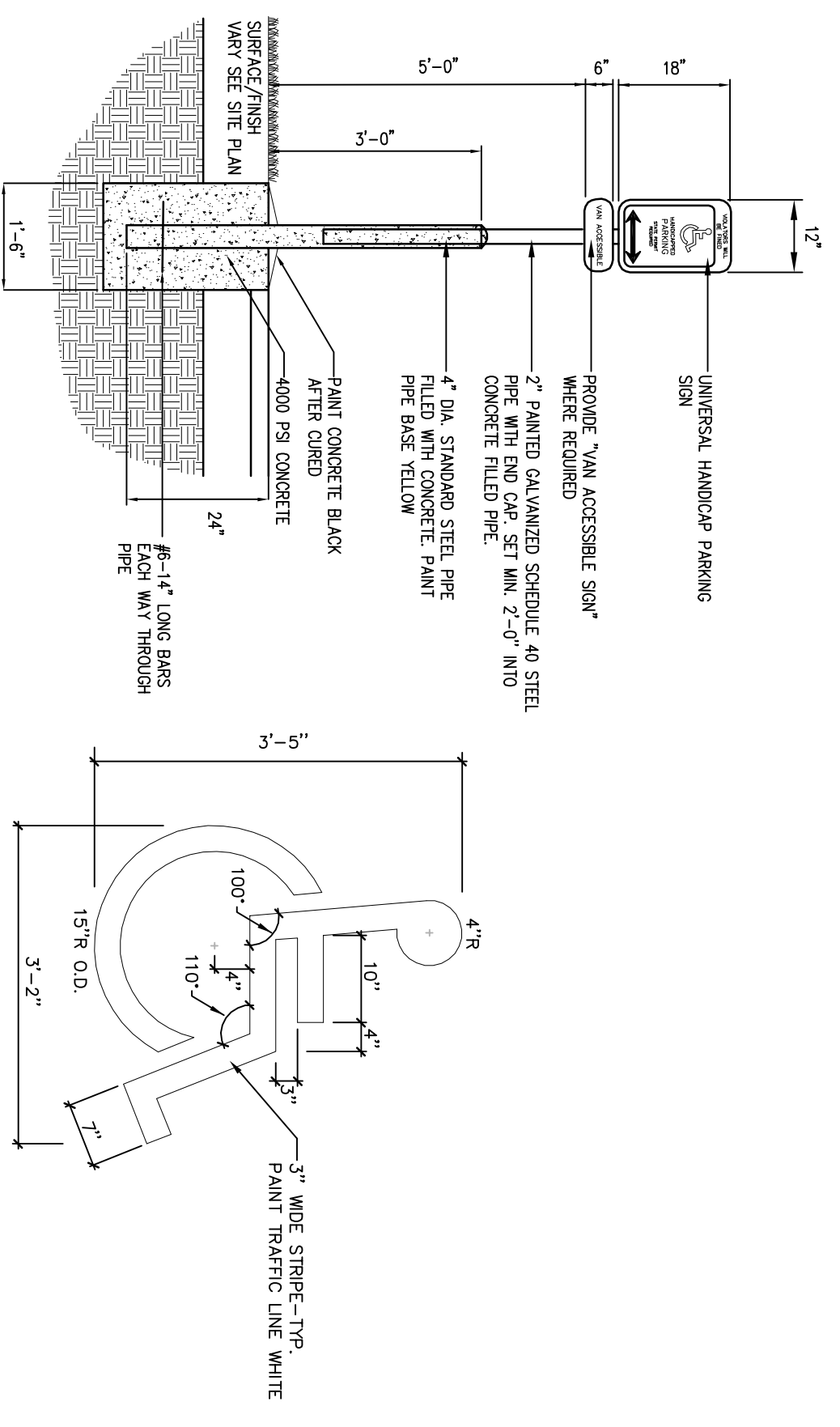
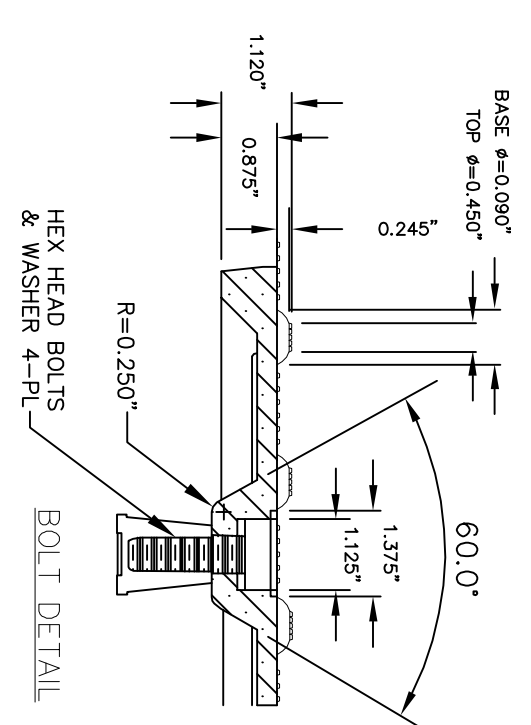


**10 VERTICAL GRANITE CURB**  
NOT TO SCALE

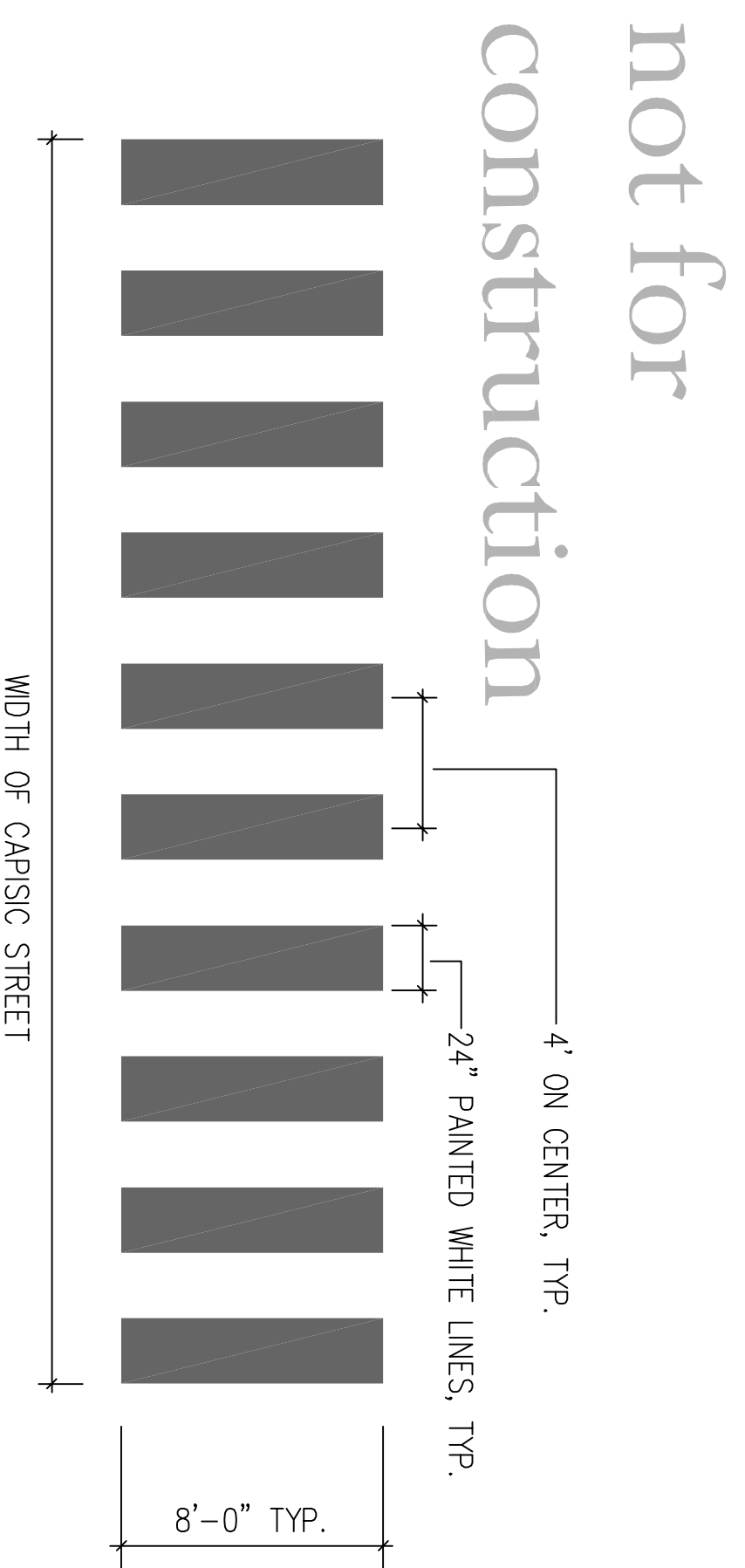


**11 HC SIDEWALK RAMP DETECTABLE WARNING TILE**  
NOT TO SCALE

- NOTES:**
1. COMPOSITE WET SET (REPLACABLE) TACTILE WARNING SURFACE UNITS SHALL BE AS MANUFACTURED BY ADA SOLUTIONS, INC. (WWW.ADA-TILE.COM), OR APPROVED EQUAL.
  2. CAST IN PLACE CONCRETE SHALL MEET SPECIFICATIONS FOR MDOT CLASS A STRUCTURAL CONCRETE. MINIMUM COMPRESSIVE STRENGTH 4,000 PSI. THE CONCRETE SHALL BE CAST TO A MINIMUM OF 4\"/>
  - 3. TRIANGLED DOWES SHALL BE ALIGNED IN ROWS, PARALLEL AND PERPENDICULAR TO THE PREDOMINANT DIRECTION OF TRAVEL. DOWES SHOULD BE SPACED 8\"/>
  - 4. FOR ALL DETECTABLE WARNING PANELS (EXCEPT AS SECTION 1 & 4) FEDERAL YELLOW COLORED (A33328) PANELS SHALL BE USED FOLLOW MANUFACTURER'S INSTRUCTIONS FOR INSTALLATION.
  - 5. SIZE, THE DETECTABLE WARNING PANEL(S) SHALL EXTEND 24\"/>
  - 6. ORIENTATION: THE DETECTABLE WARNING PANEL SHALL BE LOCATED SO THAT THE EDGE NEAREST THE CURB LINE IS 6\"/>



**12 HANDICAP PARKING SIGN AND SPACE MARKINGS**  
NOT TO SCALE



**13 PAINTED CROSSWALK**  
NOT TO SCALE

not for  
construction

DRAFTED BY: MAP  
CHECKED BY: ABS  
PLAN DATE: 07/29/2013  
REVISION DATE: