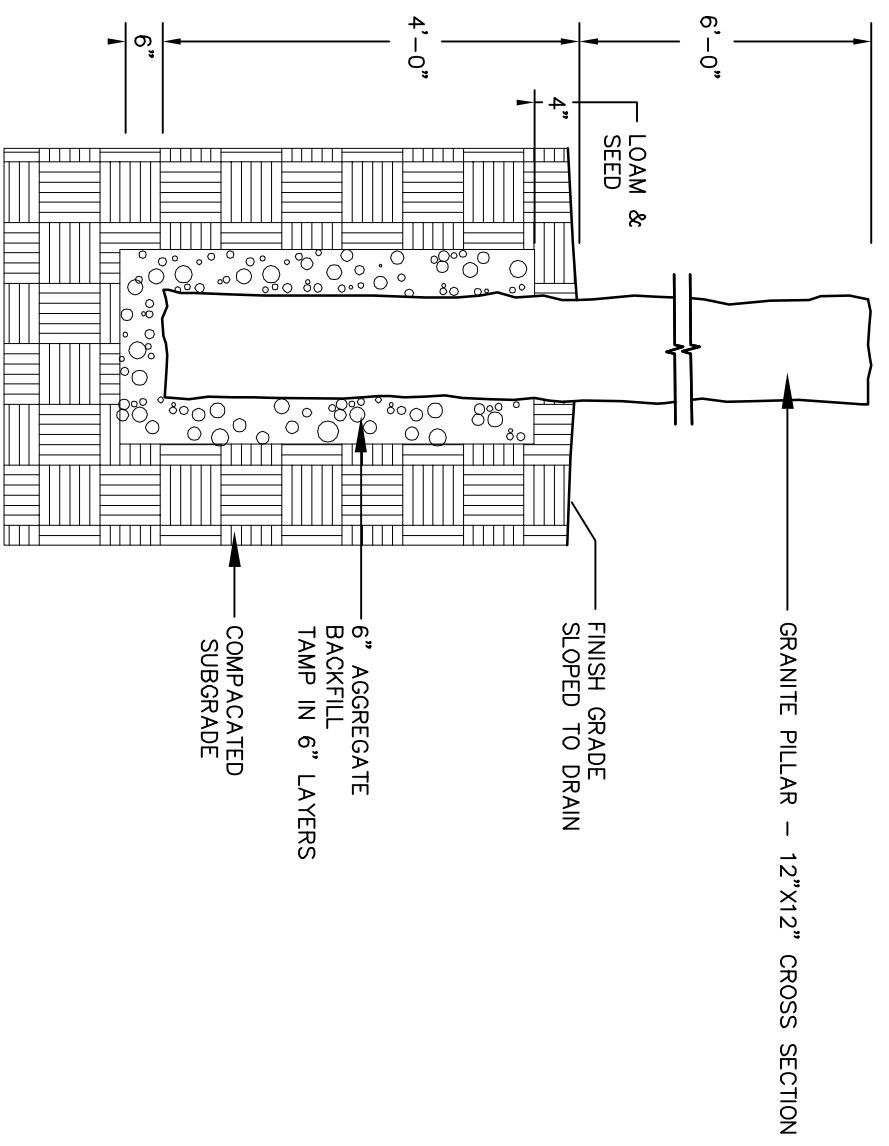


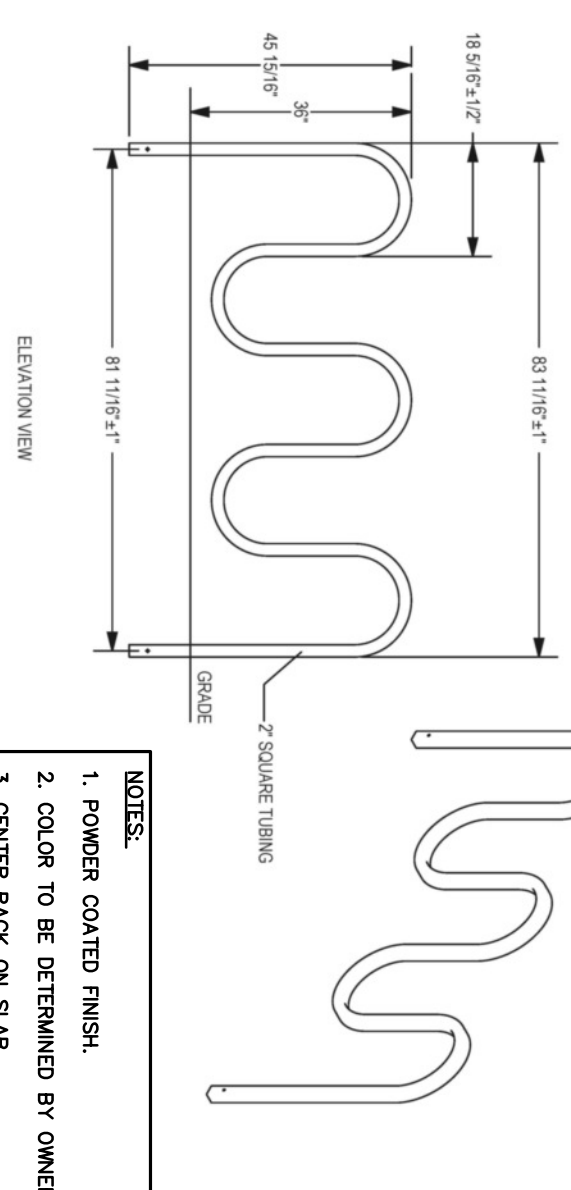
1 GRANITE POST AND WOOD GUARDRAIL  
NOT TO SCALE



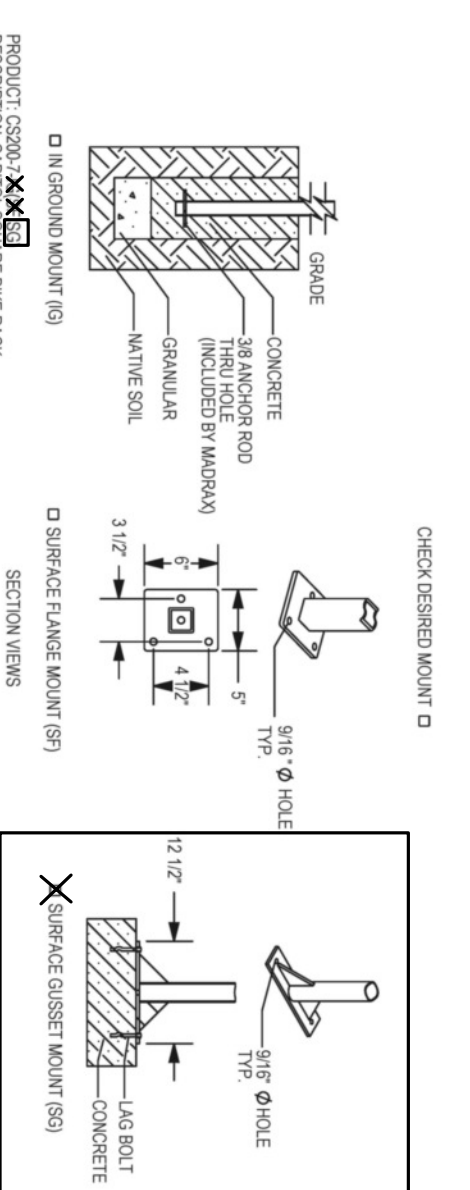
2 GRANITE IDENTITY PILLAR  
NOT TO SCALE



MADDRAX CORPORATION  
10000 ROUTE 101, PORTLAND, ME 04106  
WWW.MADDRAX.COM



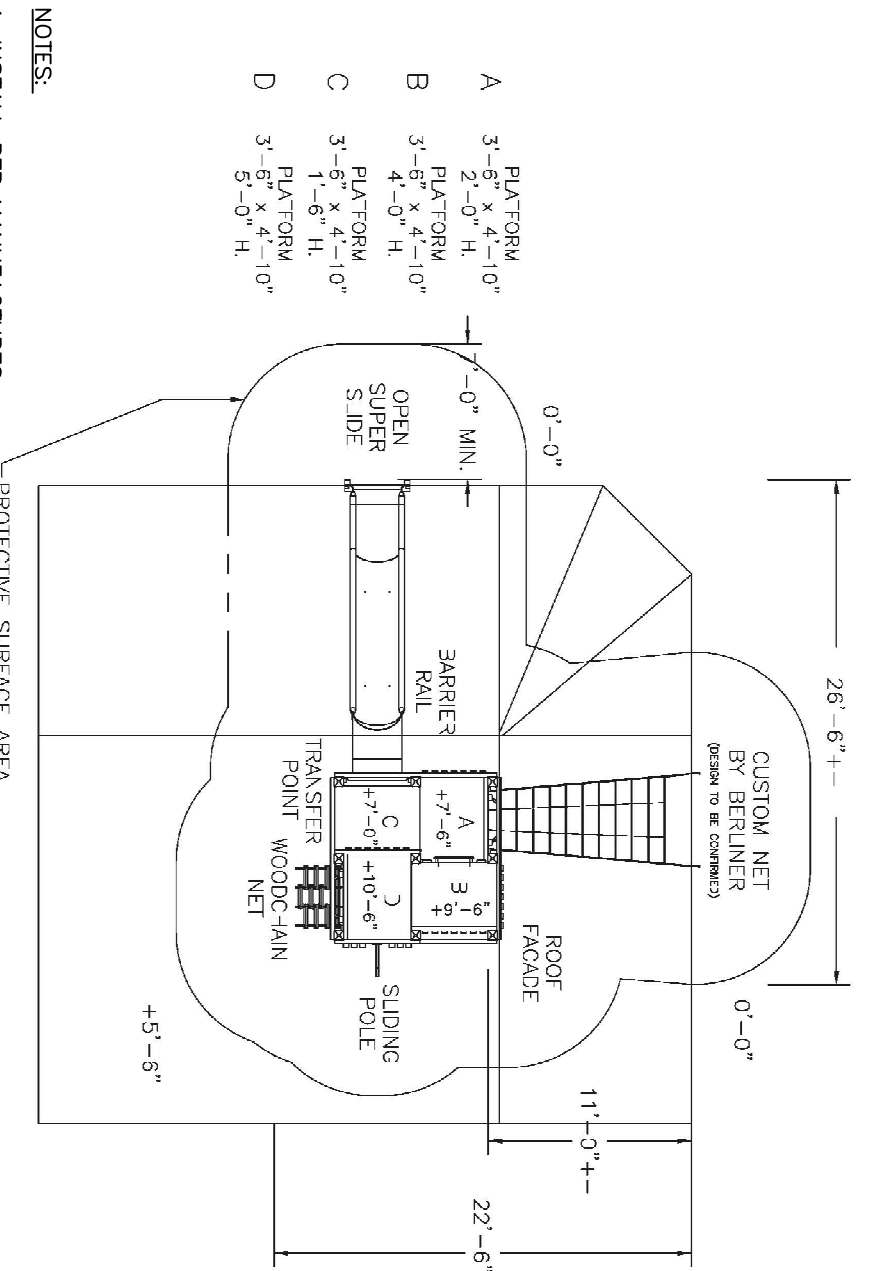
3 BIKE RACK  
NOT TO SCALE



6 CLIMBING ROCKS  
NOT TO SCALE

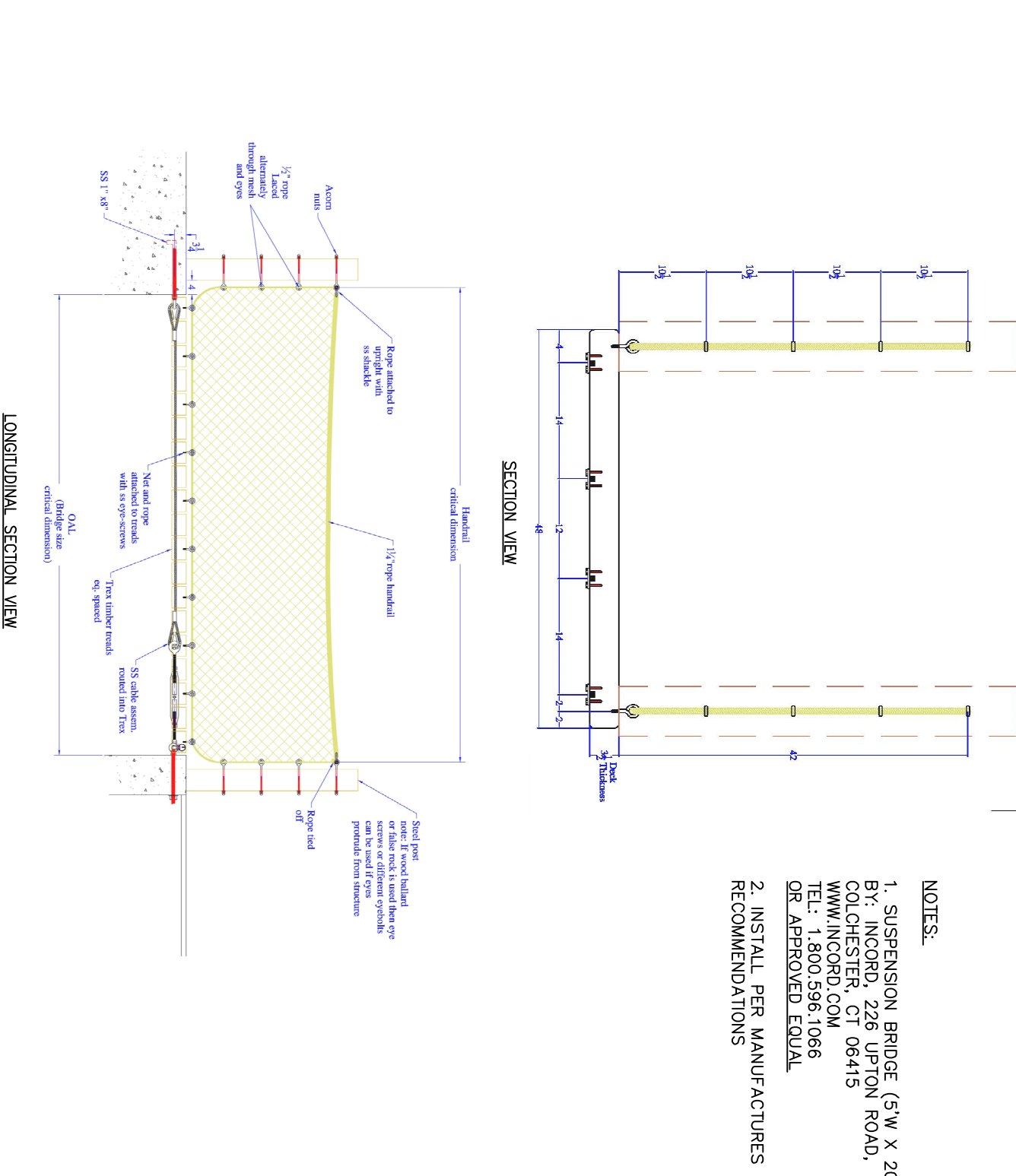


5 FORT  
NOT TO SCALE

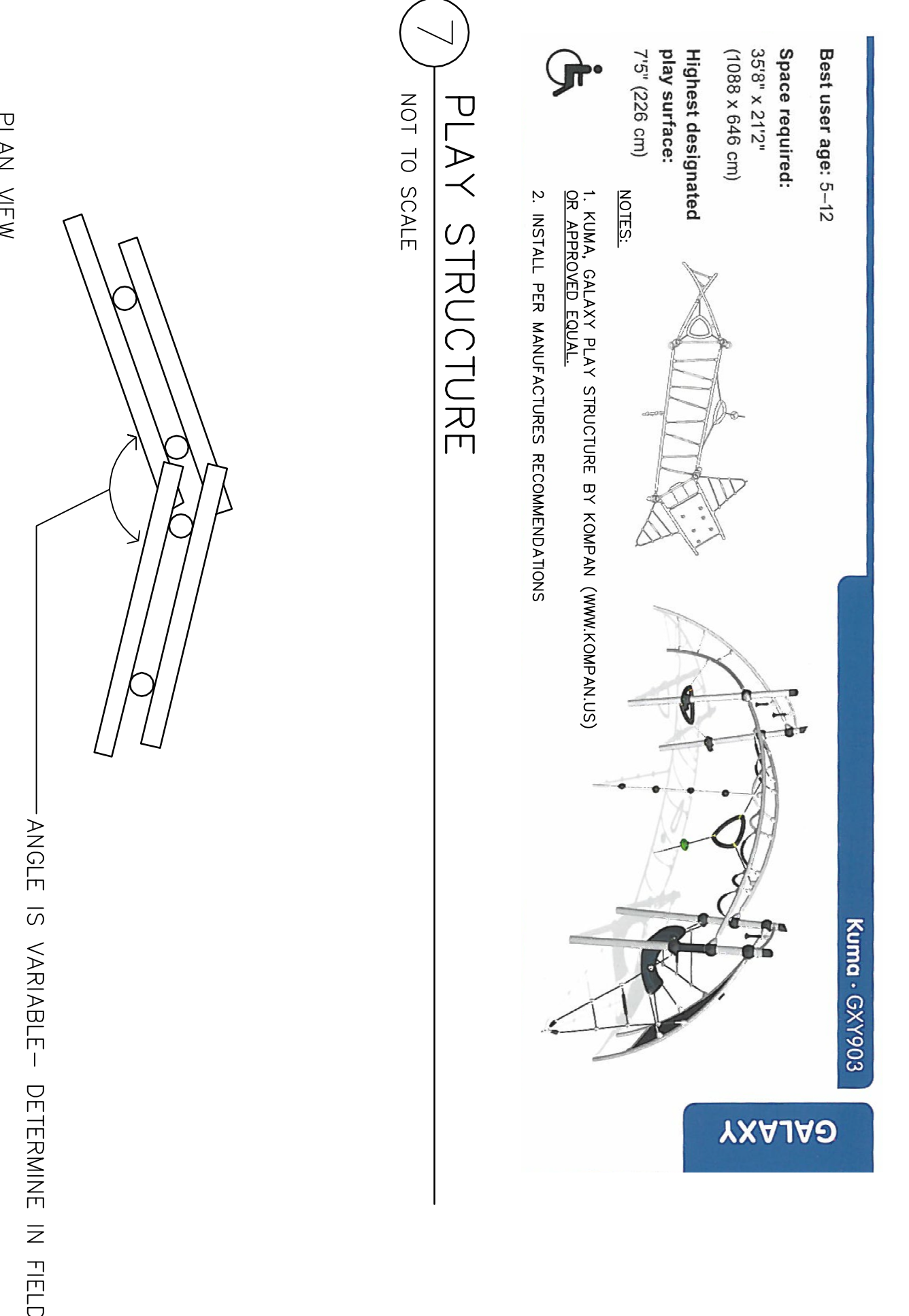


MANUFACTURER: HENDERSON  
10000 ROUTE 101, PORTLAND, ME 04106  
WWW.HENDERSONPLAY.COM  
OR APPROVED EQUAL

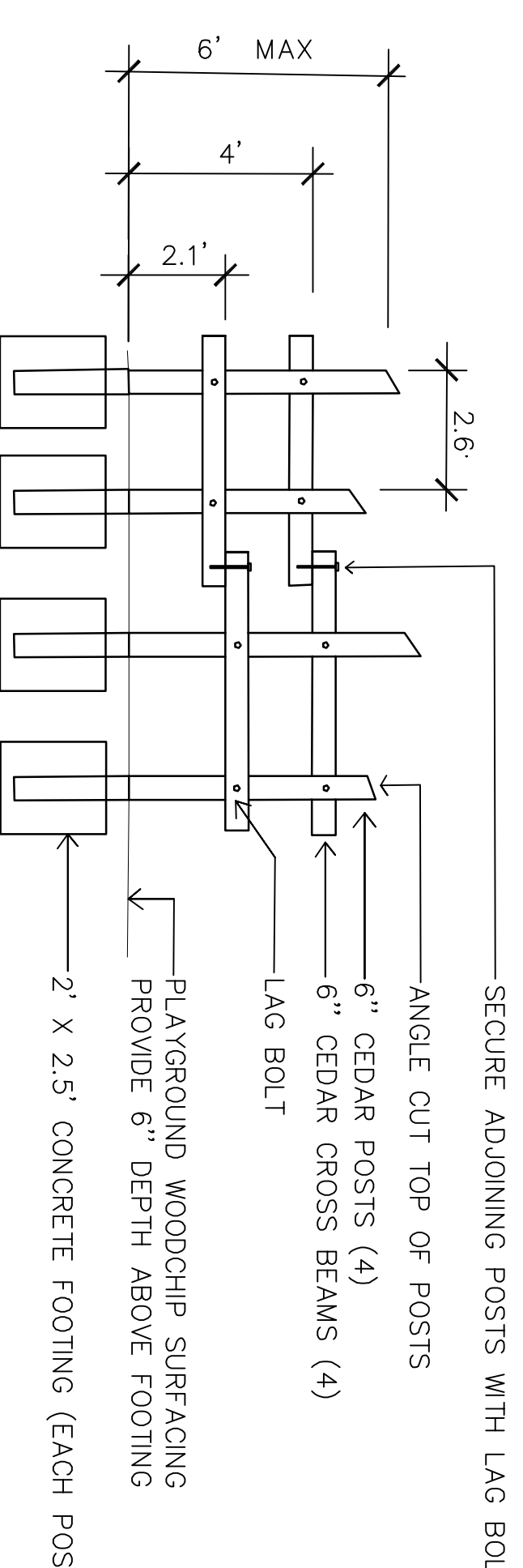
4 SUSPENSION BRIDGE  
NOT TO SCALE



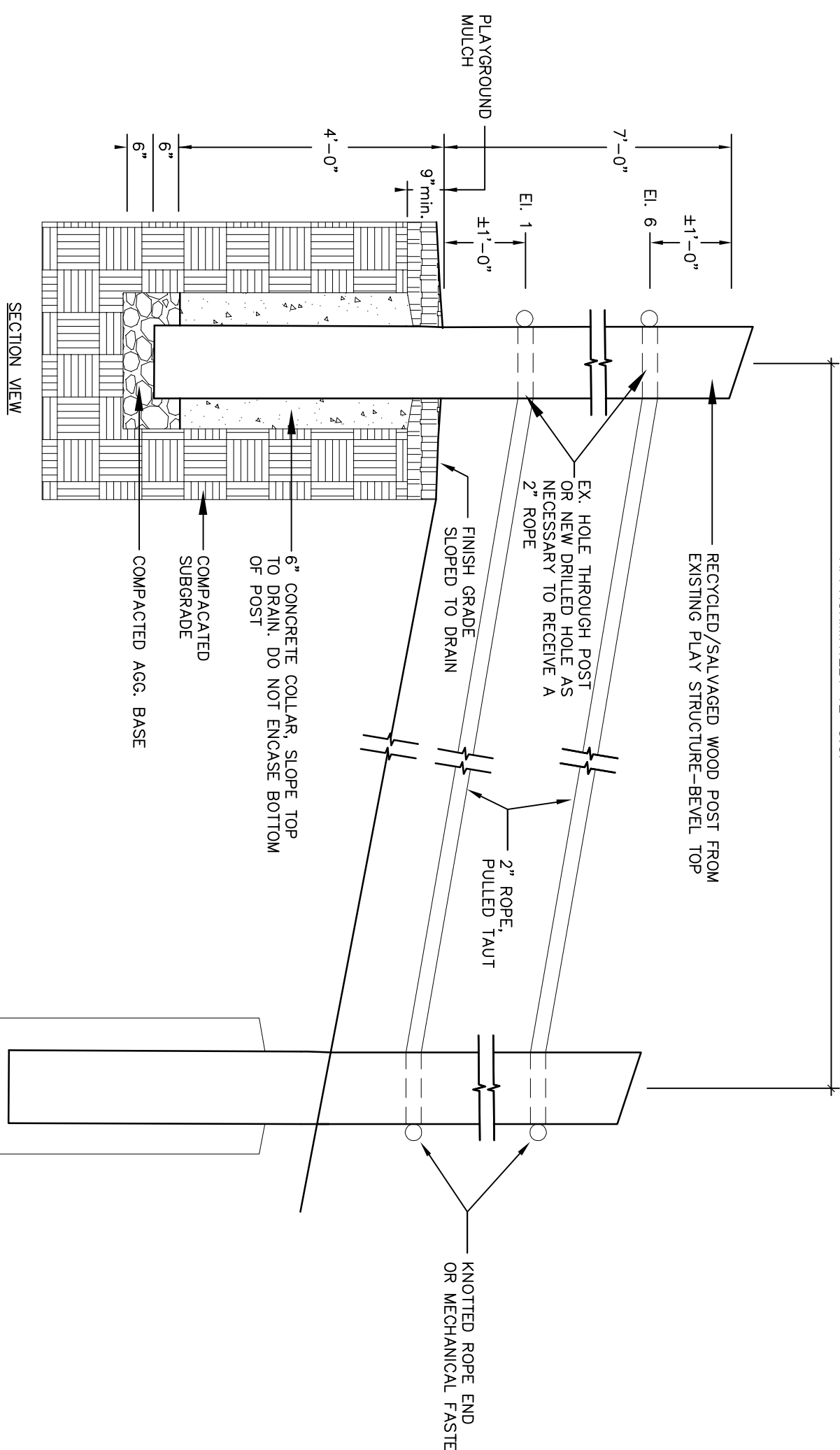
7 PLAY STRUCTURE  
NOT TO SCALE



8 SPLIT RAIL SITTING FENCE  
NOT TO SCALE



9 POST AND ROPE BALANCE BEAM  
NOT TO SCALE



not for  
construction