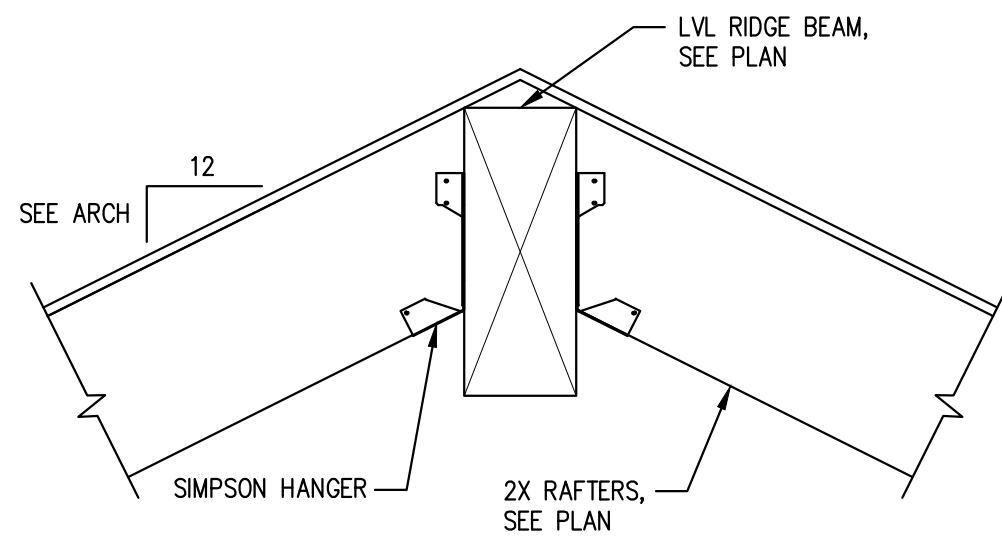
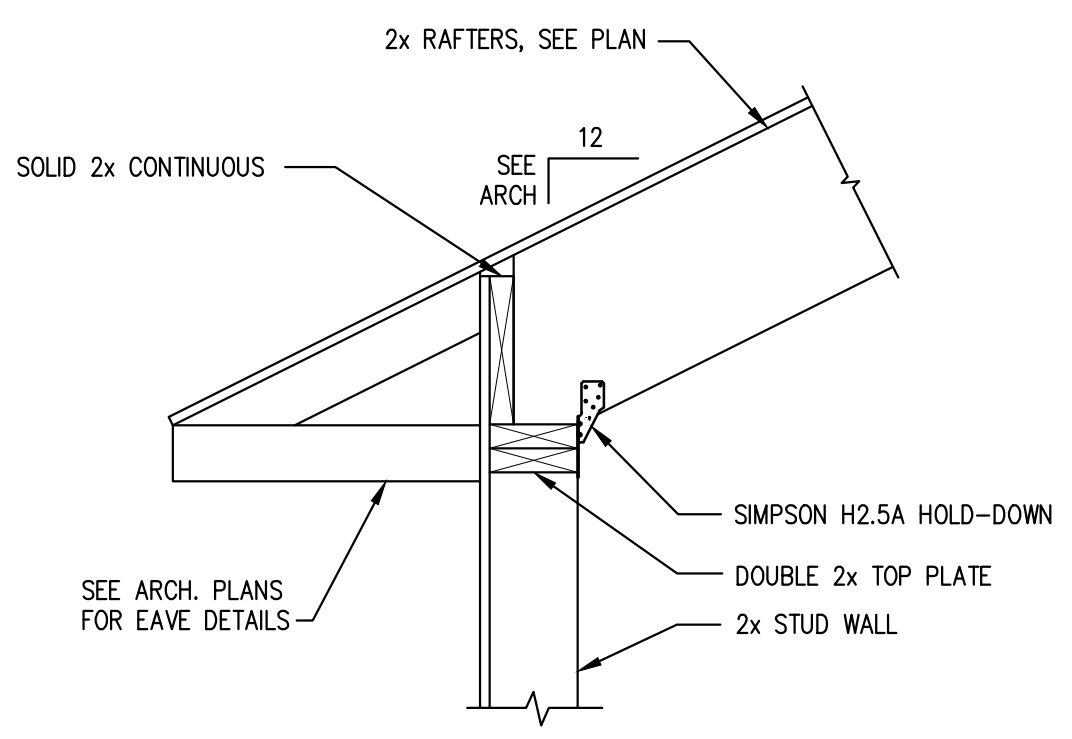


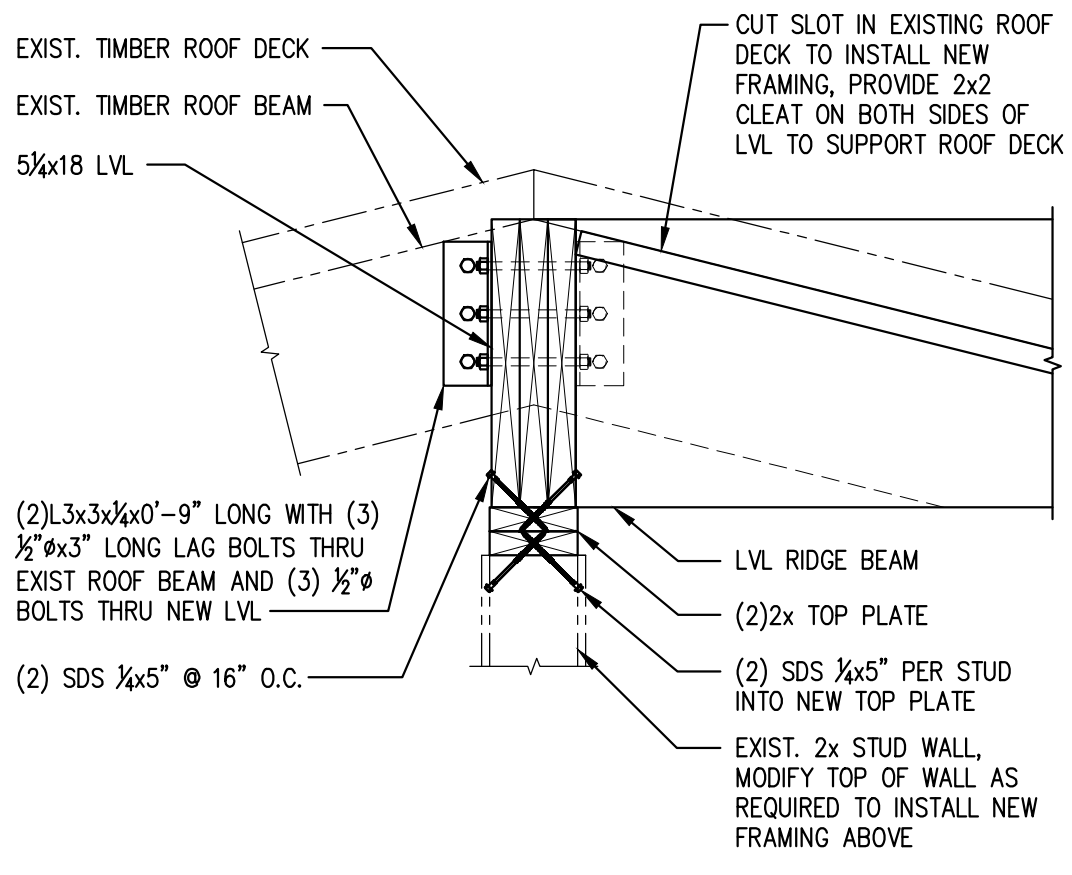
PRINTED: Jun 22, 2015



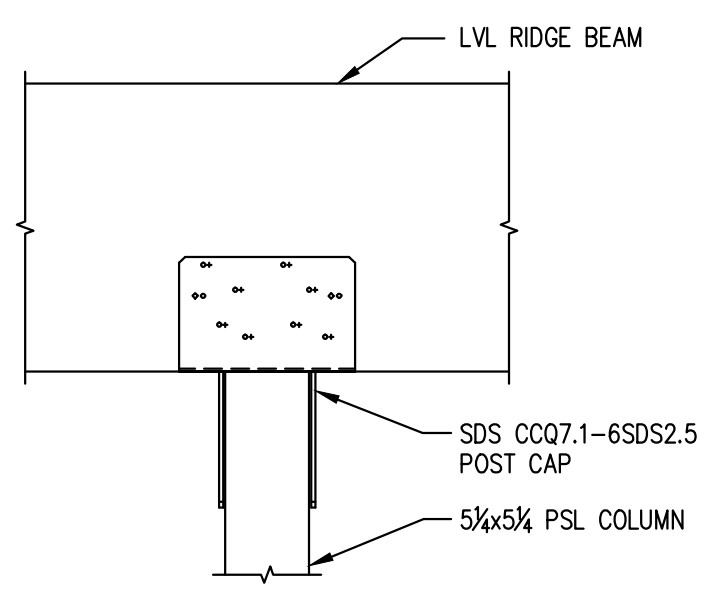
**RAFTER/RIDGE CONNECTION DETAIL**  
SCALE: 1" = 1'-0"



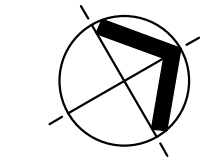
**RAFTER/WALL CONNECTION DETAIL**  
SCALE: 1" = 1'-0"



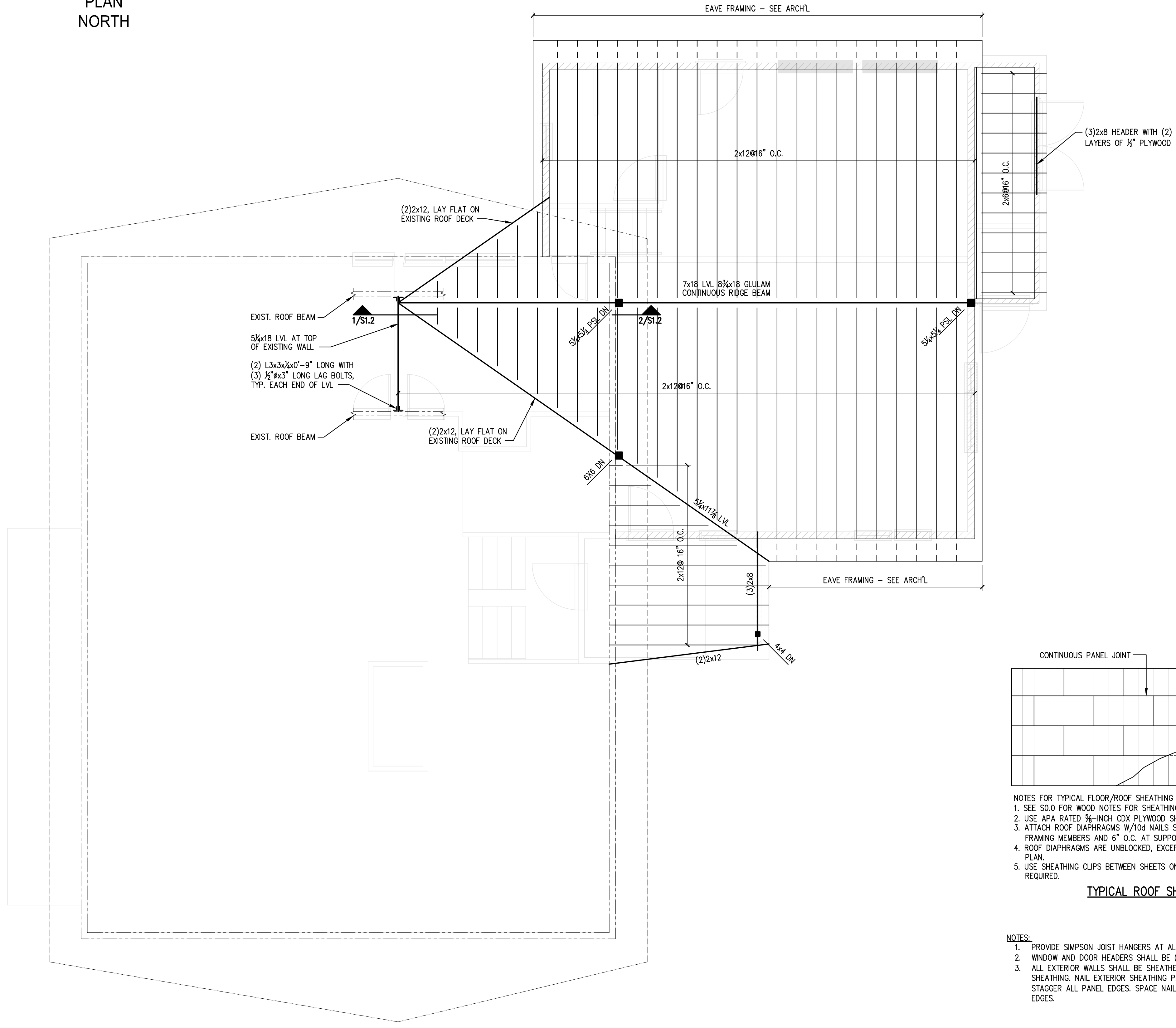
**1 SECTION**  
1" = 1'-0"



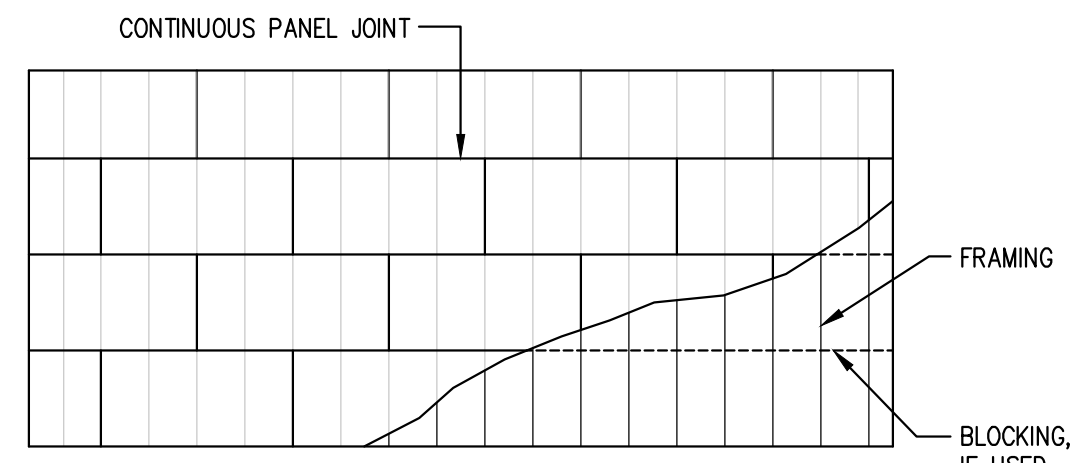
**2 SECTION**  
1" = 1'-0"



**PLAN NORTH**



**ROOF FRAMING PLAN**  
SCALE: 1/4" = 1'-0"



NOTES FOR TYPICAL FLOOR/ROOF SHEATHING DETAIL:  
1. SEE S.O. FOR WOOD NOTES FOR SHEATHING REQUIREMENTS.  
2. USE APA RATED 5/8-INCH CDX PLYWOOD SHEATHING ON ROOF.  
3. ATTACH ROOF DIAPHRAGMS W/10d NAILS SPACED 6" O.C. ALONG INTERMEDIATE FRAMING MEMBERS AND 6" O.C. AT SUPPORTED EDGES.  
4. ROOF DIAPHRAGMS ARE UNBLOCKED, EXCEPT AS NOTED ON ROOF FRAMING PLAN.  
5. USE SHEATHING CLIPS BETWEEN SHEETS ON ROOF WHERE BLOCKING IS NOT REQUIRED.

**TYPICAL ROOF SHEATHING DETAIL**

NOTES:  
1. PROVIDE SIMPSON JOIST HANGERS AT ALL JOIST ENDS, TYP.  
2. WINDOW AND DOOR HEADERS SHALL BE (3)-2x6's w/ 1/2" PLYWOOD LAMS, U.N.O.  
3. ALL EXTERIOR WALLS SHALL BE SHEATHED ON ONE SIDE WITH 1/2" APA RATED SHEATHING. NAIL EXTERIOR SHEATHING PANEL EDGES @ 4" O.C. BLOCK AND STAGGER ALL PANEL EDGES. SPACE NAILS AT 12" O.C. AT INTERMEDIATE PANEL EDGES.

**PLAN LEGEND**

	BEARING WALL
	SHEAR WALL
	BEAM
	HSS COLUMN
	COLUMN FROM ABOVE
	COLUMN BELOW
	COLUMN ABOVE AND BELOW
	HOLD-DOWN

No.	DESCRIPTION	DATE	
		CHKD.	DATE
A	ISSUED FOR PERMIT	PR	6-22-15

SHEET TITLE: **ROOF FRAMING PLAN**

DESIGNED:	PR
DRAWN:	PR
DATE:	3-24-15
PROJECT NUMBER:	15-048