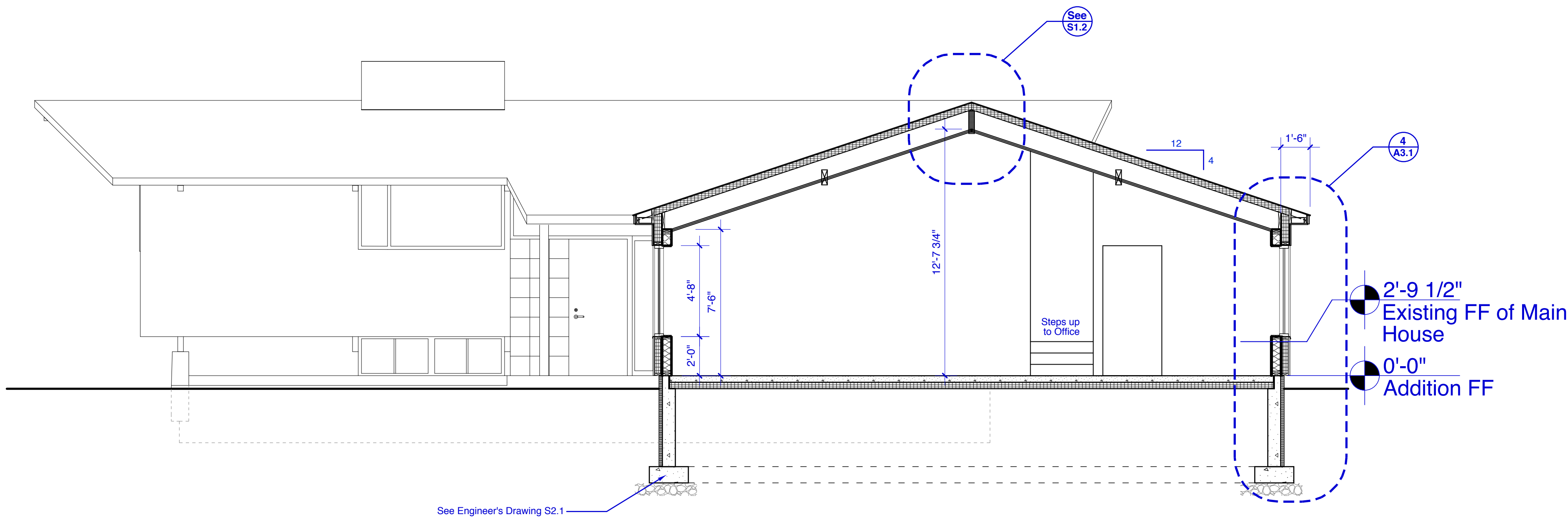
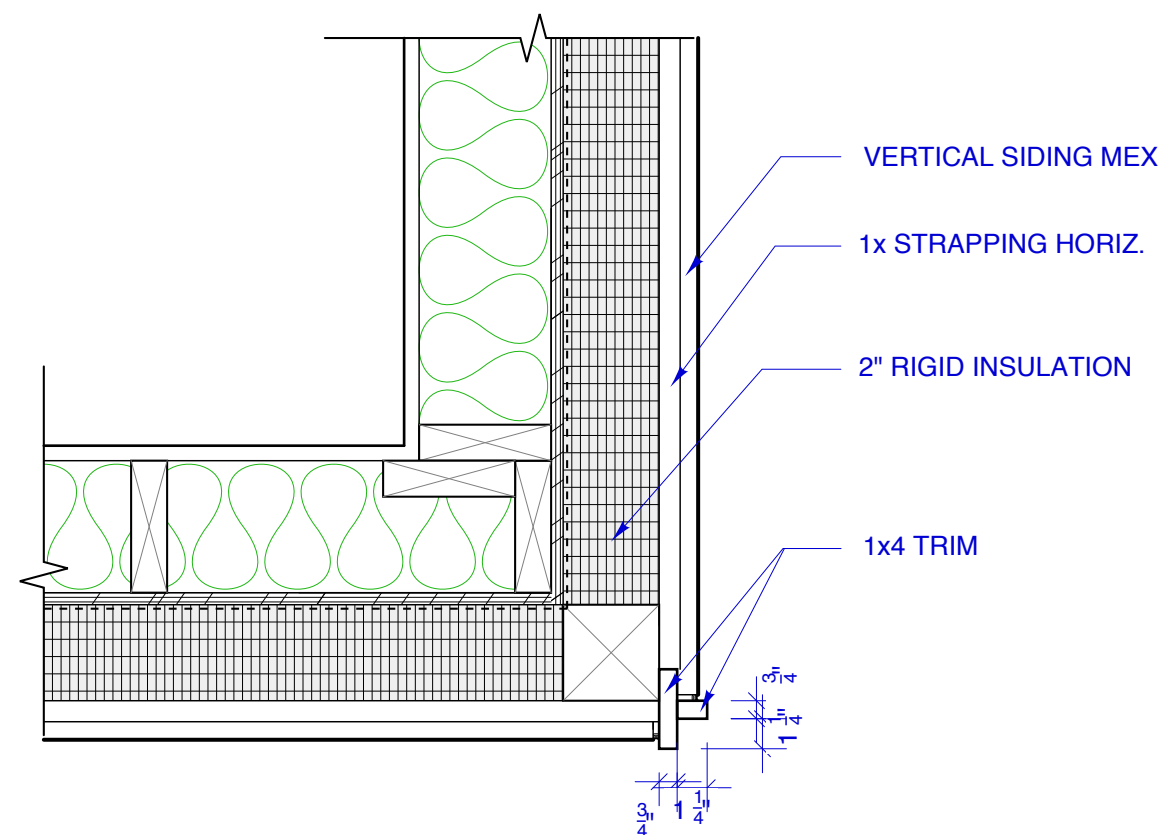


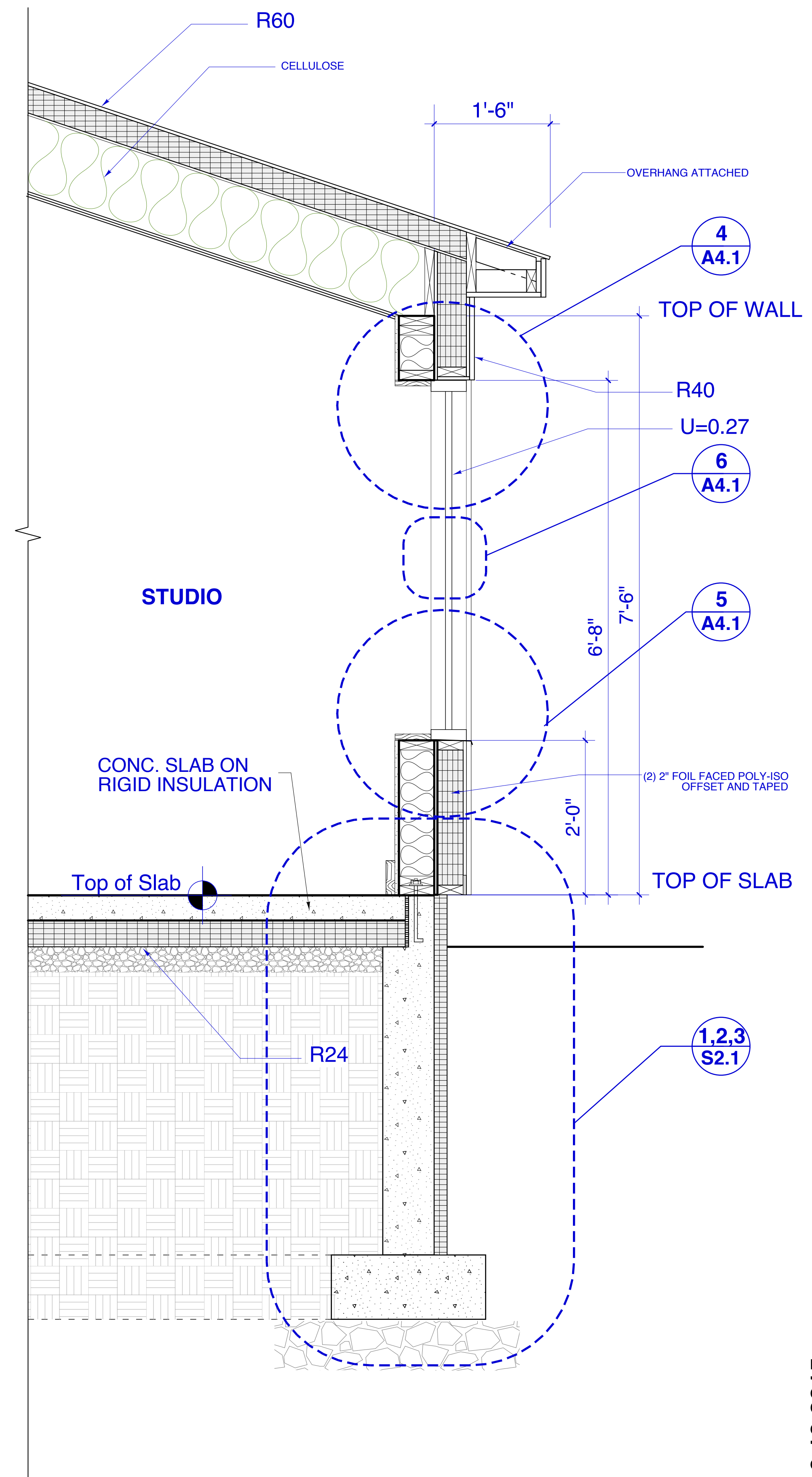
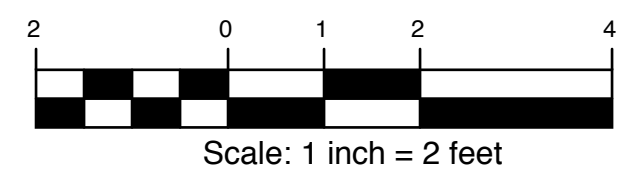
1 EXISTING BUILDING SECTION
SCALE: 1/4" = 1'-0"



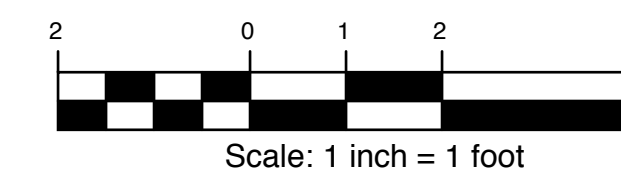
2 SECTION
SCALE: 1/4" = 1'-0"



3 TYPICAL CORNER BOARD DETAIL
SCALE: 1/2" = 1'-0"



4 Building Section
SCALE: 1" = 1'-0"



Copyright 2015 Richard Renner | Architects

RRA
Richard Renner | Architects
Portland, ME
207.773.9699
Sherborn, MA
508.651.2385

REGISTERED ARCHITECT
RICHARD K. RENNER
No. 1056
STATE OF MAINE

Consultants:
Casco Bay Engineering
Peter D. Rand, P.E.
Senior Project Manager
424 Fore Street, 04101
Portland, ME 04102
P. 207-842-2800, ext. 203
F. 207-842-2828
www.cascobayengineering.com

**Redman Residence:
Addition**

480 Capisic Street
Portland, ME 04102

Permit Set 6.19.2015

Sections & Details

Drawn by: RRA
Scale: 1/4" = 1'-0"
Date: 03/31/15
File Name: East Elevation
Project No.: 2014-12.00
Revised: 06/19/15

**Redman
Addition
A3.1**