

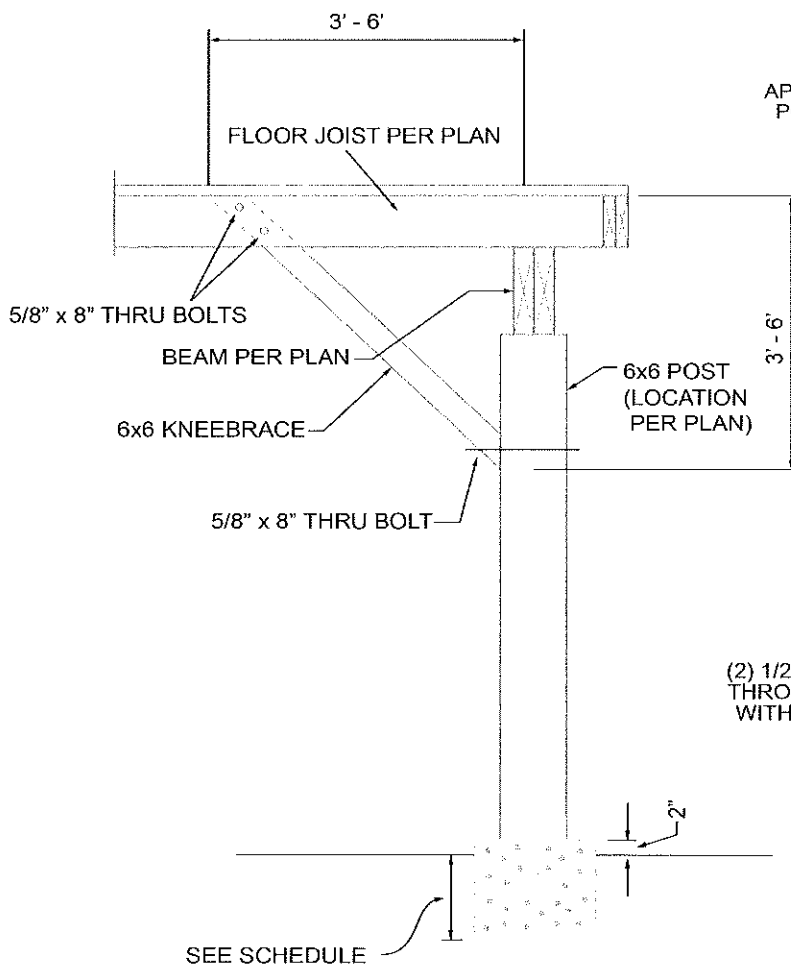


INSTALLATION CHECKLIST

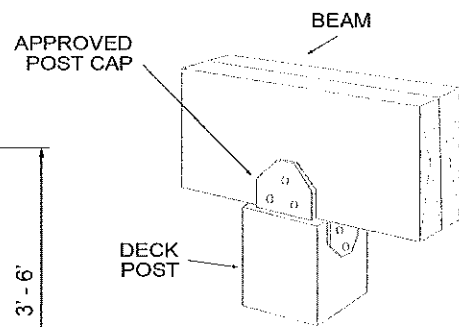
Post bracing

Brace posts as dictated by local codes and by-laws.

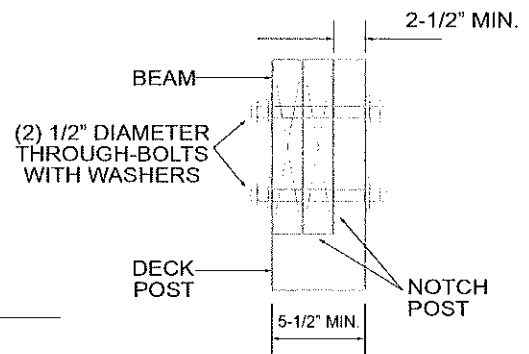
BRACE AT JOIST



POST CAP



NOTCHED POST



8'-0" MAX. GRADE TO TOP OF DECKING

NOT FOR CONSTRUCTION TO BE ENGINEERED TO LOCAL CODES

NOT TO SCALE