

Contractor:
DF Chase, Inc.
3001 Armory Drive
Suite 225
Nashville, TN 37204



OFFICE RENOVATION & DOCK ADDITION:
OLD DOMINION FREIGHT LINE
ODFL PORTLAND, ME
185 RAND ROAD
PORTLAND, ME 04102

CONSTRUCTION 4/25/2014
DRAWINGS FOR PERMIT
SITE LIGHTING CHG 5/21/14

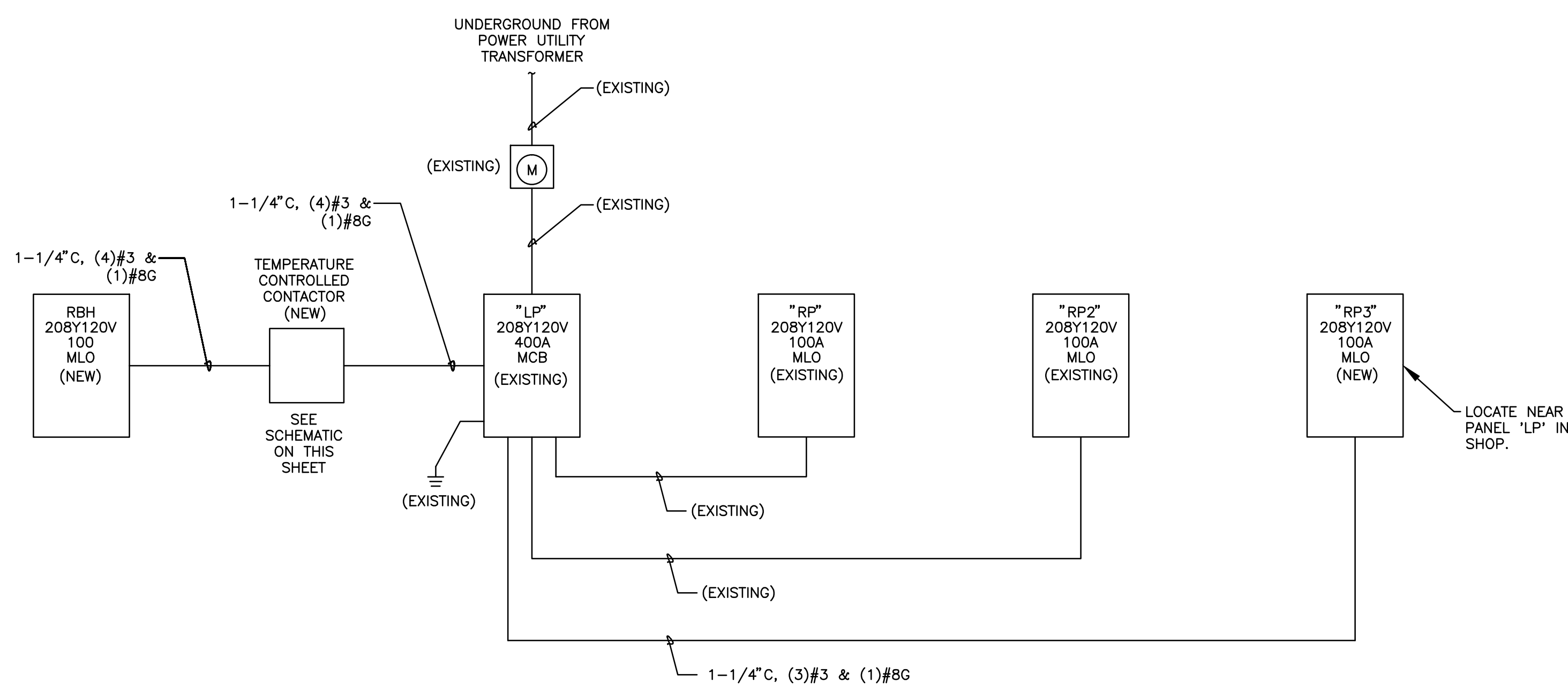
Project No. 13061.00

The Architect hereby reserves its common law copyright and other property rights in these plans, items and designs which are not to be reproduced, changed or copied in any form or manner whatsoever, nor are they to be assigned to any third party without first obtaining the express written permission from the Architect. This drawing is not final or to be used for construction until signed by the Architect.

Sheet Name:
SCHEDULES & DETAILS

Sheet Number:

E2.1

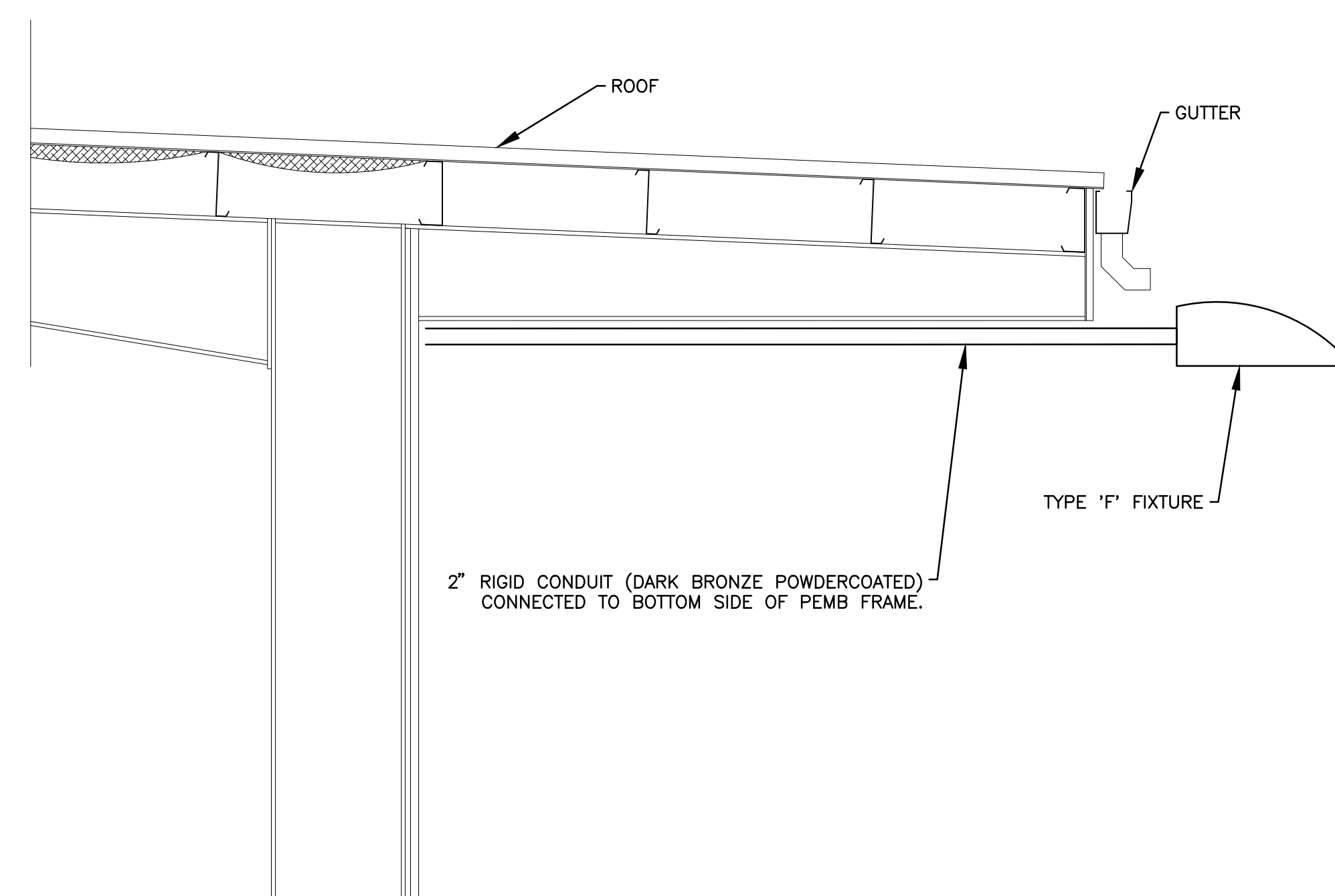


RISER DIAGRAM
NOT TO SCALE

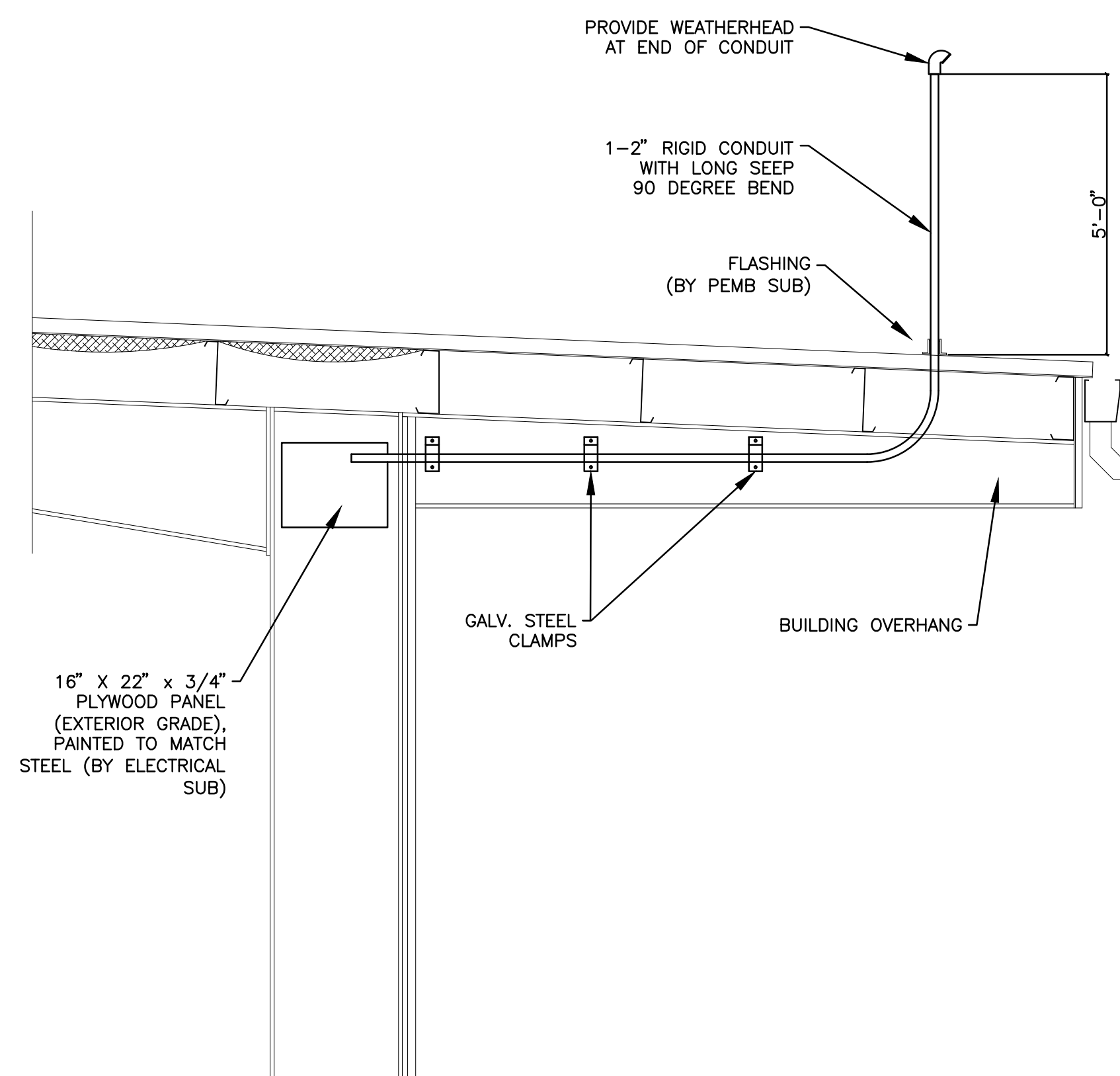
FIXTURE SCHEDULE						
TYPE	MANUFACTURER	CATALOG#	LAMPS	VOLTAGE	MOUNTING	TYPE/REMARKS
D	HUBBELL	TRPC-20LU-5K-BZ	LED	120	WALL	TRAPEZOID COMPACT WALLPACK
EE	DUALITE	EV-2	(2) 1W LED HEADS	120	WALL	EMERGENCY LIGHTING UNIT
F	BEACON	VP-L-96NB-5K-T4-UNV-RA-BZ	LED	120	POLE	ROOF MOUNTED AREA LIGHT MOUNTED AT 19' AFG
LLHP2	COLUMBIA	LLHP2-50H-W-E120	LED	120	SURFACE	HIGHBAY WITH EMBEDDED MOTION SENSOR

NOTE:
ALL LIGHTING FIXTURES, CX SERIES LIGHTING CONTROL PANELS AND SWITCHES, DIMMER SWITCHES, OCCUPANCY SENSORS AND POWER PACKS SHALL BE PURCHASED BY ELECTRICAL CONTRACTOR THROUGH NATIONAL ACCOUNT. CONTACT TODD TYLER OF CONSOLIDATED ELECTRICAL DISTRIBUTORS FOR LIGHTING PACKAGE QUOTE.

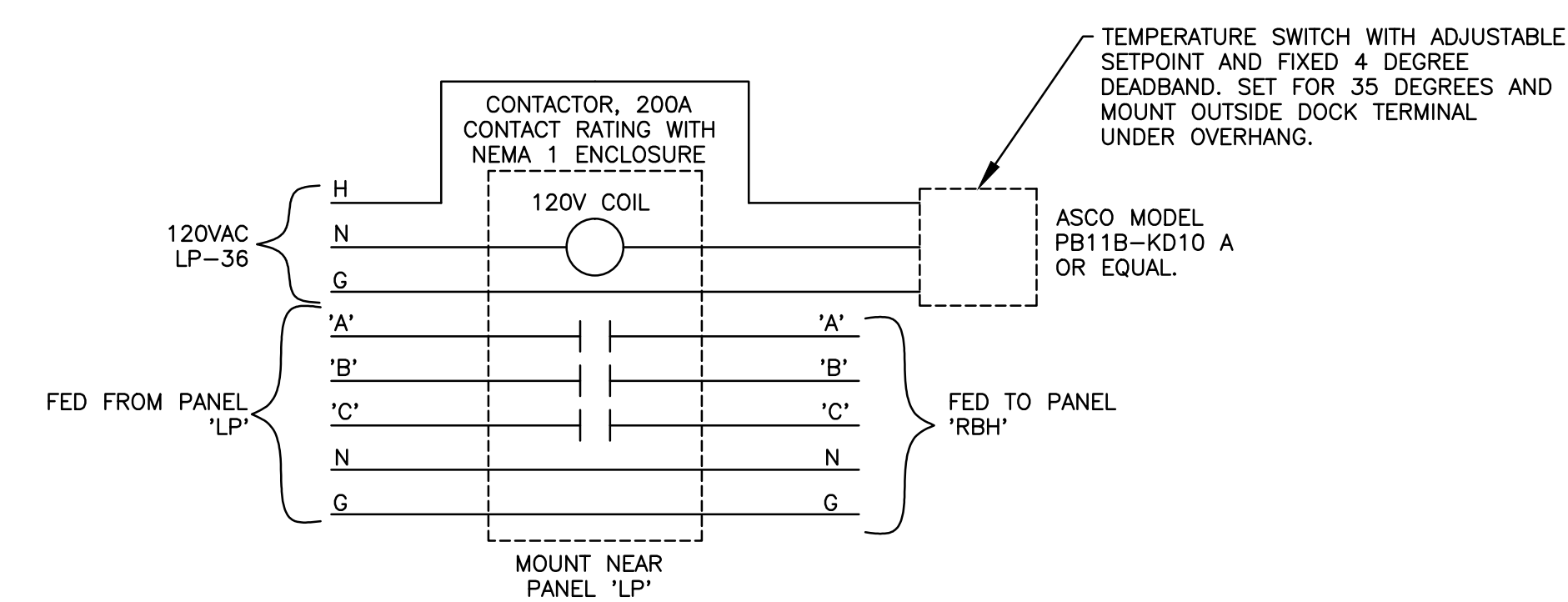
TODD TYLER (todd@cedslc.com)
1819 S 900 W SALT LAKE CITY, UT 84104
(801) 486-3501



TYPE "F" FLOOD LIGHT DETAIL
NOT TO SCALE



ANTENNA DETAIL
NOT TO SCALE



TEMPERATURE CONTROL FOR PANEL 'RBH'
-SCHEMATIC DIAGRAM-
NOT TO SCALE