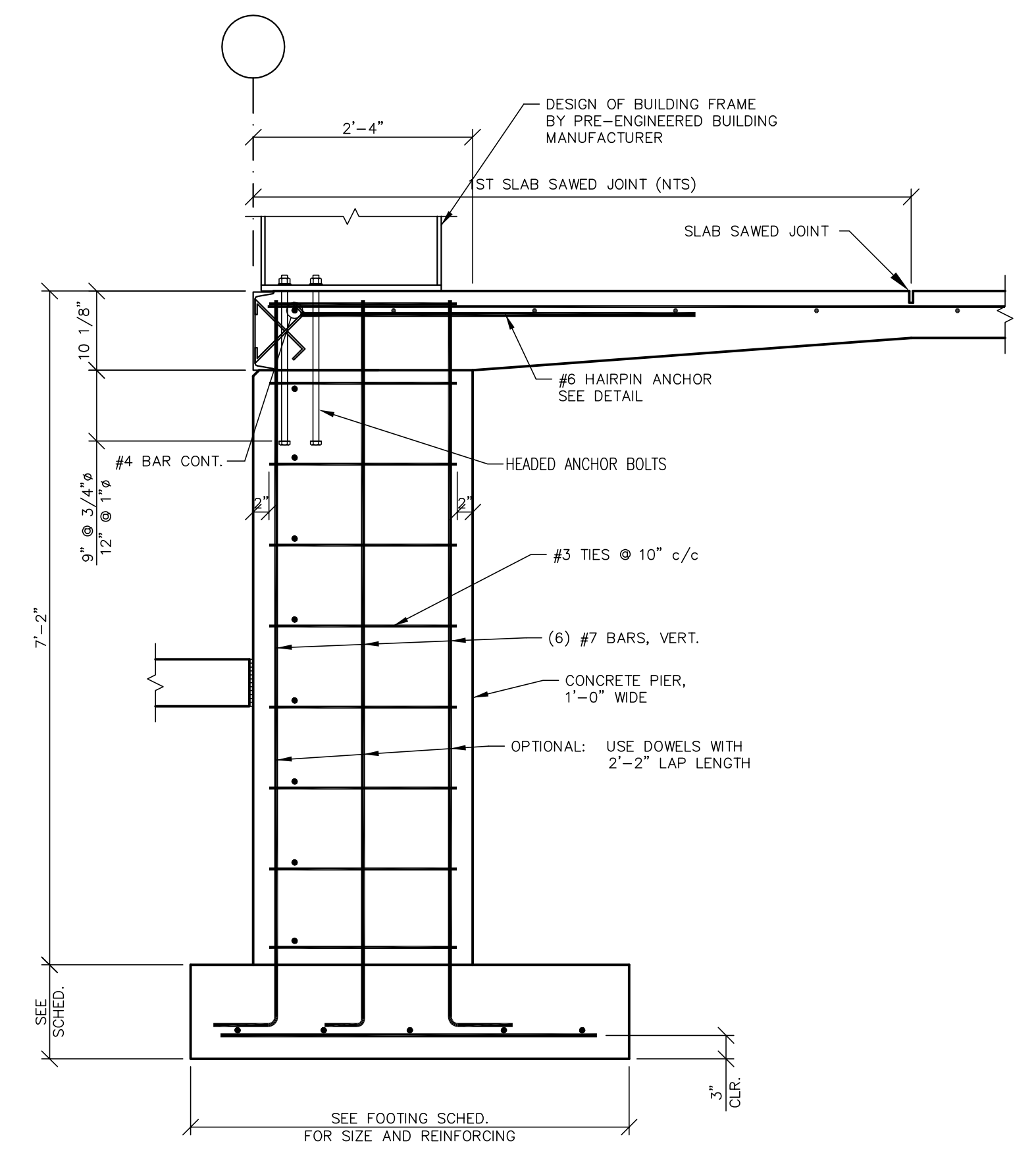
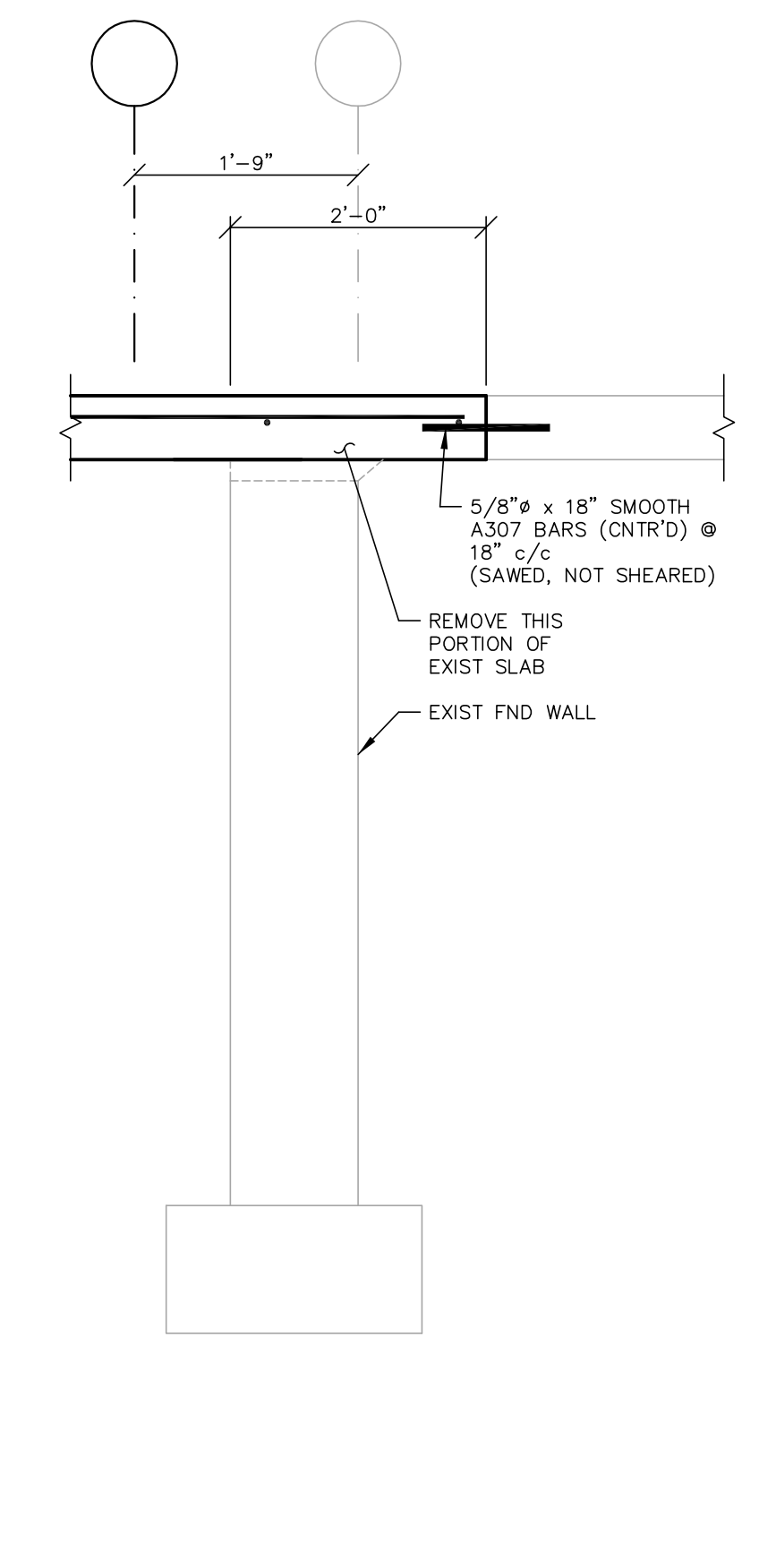


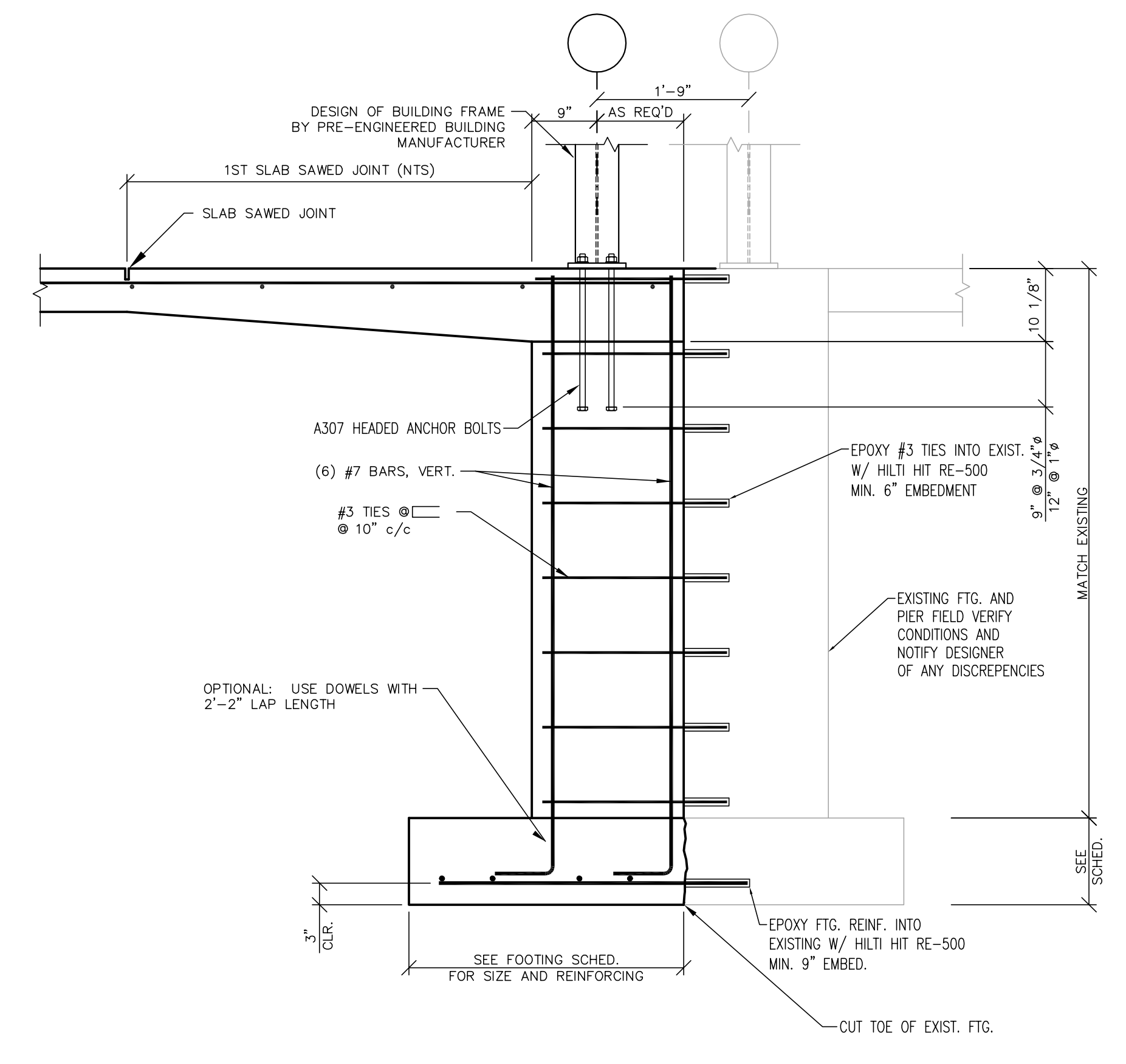
1 SECTION
S-3.1 OCCURS AT TERMINAL



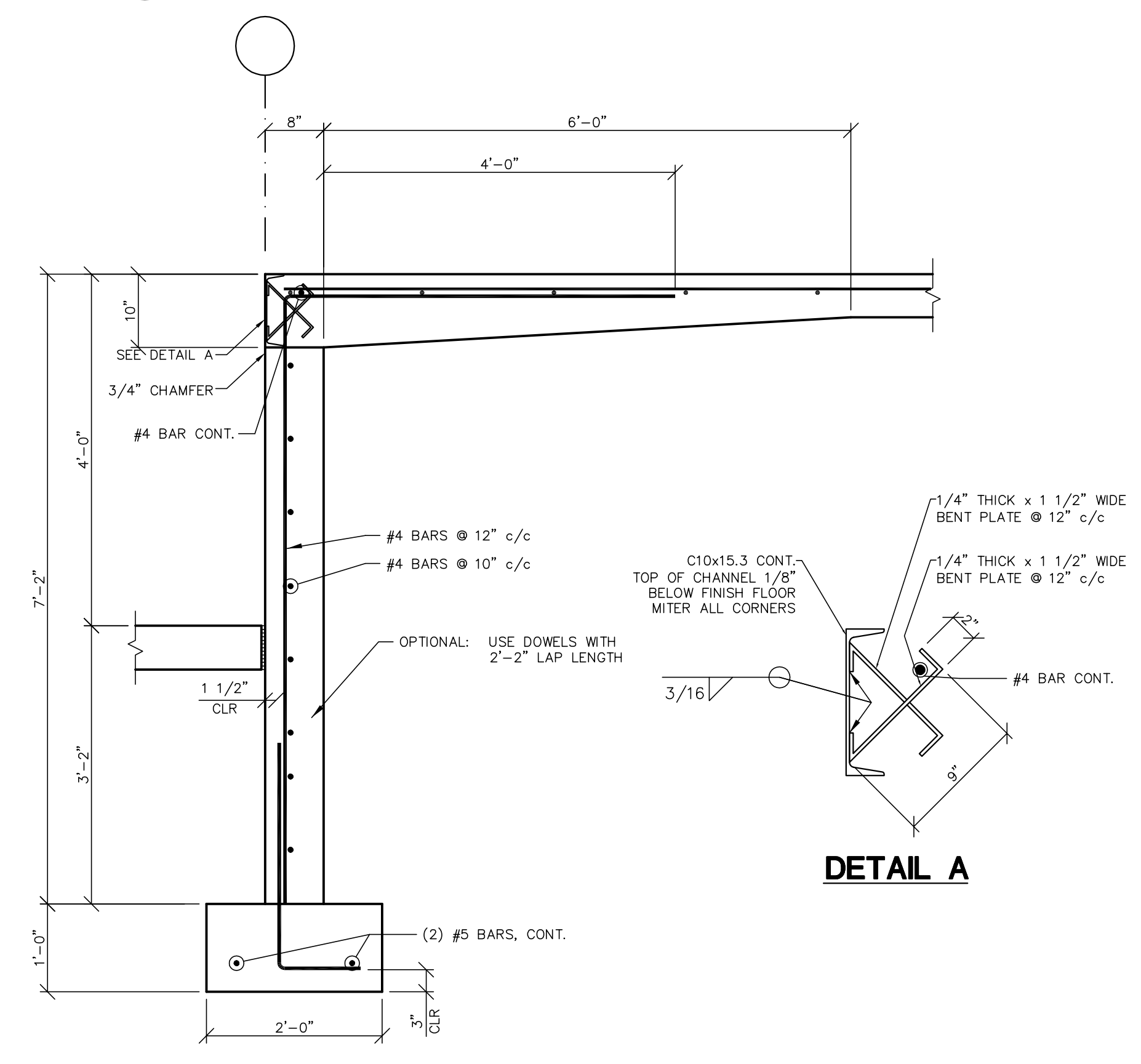
2 SECTION
S-3.1 OCCURS AT TERMINAL



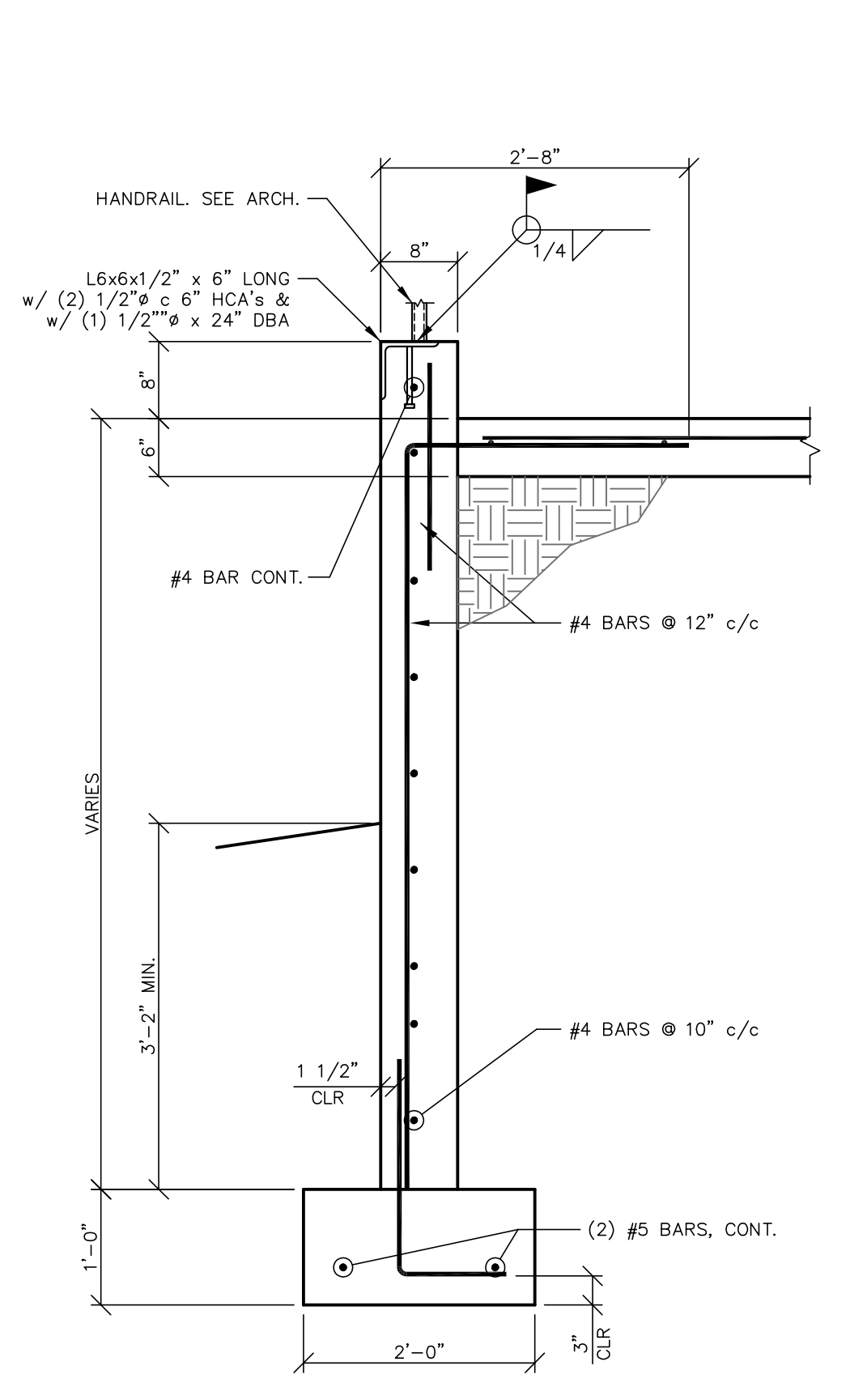
3 SECTION
S-3.1 OCCURS AT EXIST. WALL



4 SECTION
S-3.1 OCCURS AT EXIST. COL.



5 SECTION
S-3.1 OCCURS AT TERMINAL



6 SECTION
S-3.1 OCCURS AT TERMINAL

