

Contractor:
DF Chase, Inc.
3001 Armory Drive
Suite 225
Nashville, TN 37204



Existing Terminal Renovation for:
OLD DOMINION FREIGHT LINE
ODFL PORTLAND, ME
185 RAND ROAD,
PORTLAND, ME 04102

FOR PERMIT 2/14/14

Project No. 13061.00

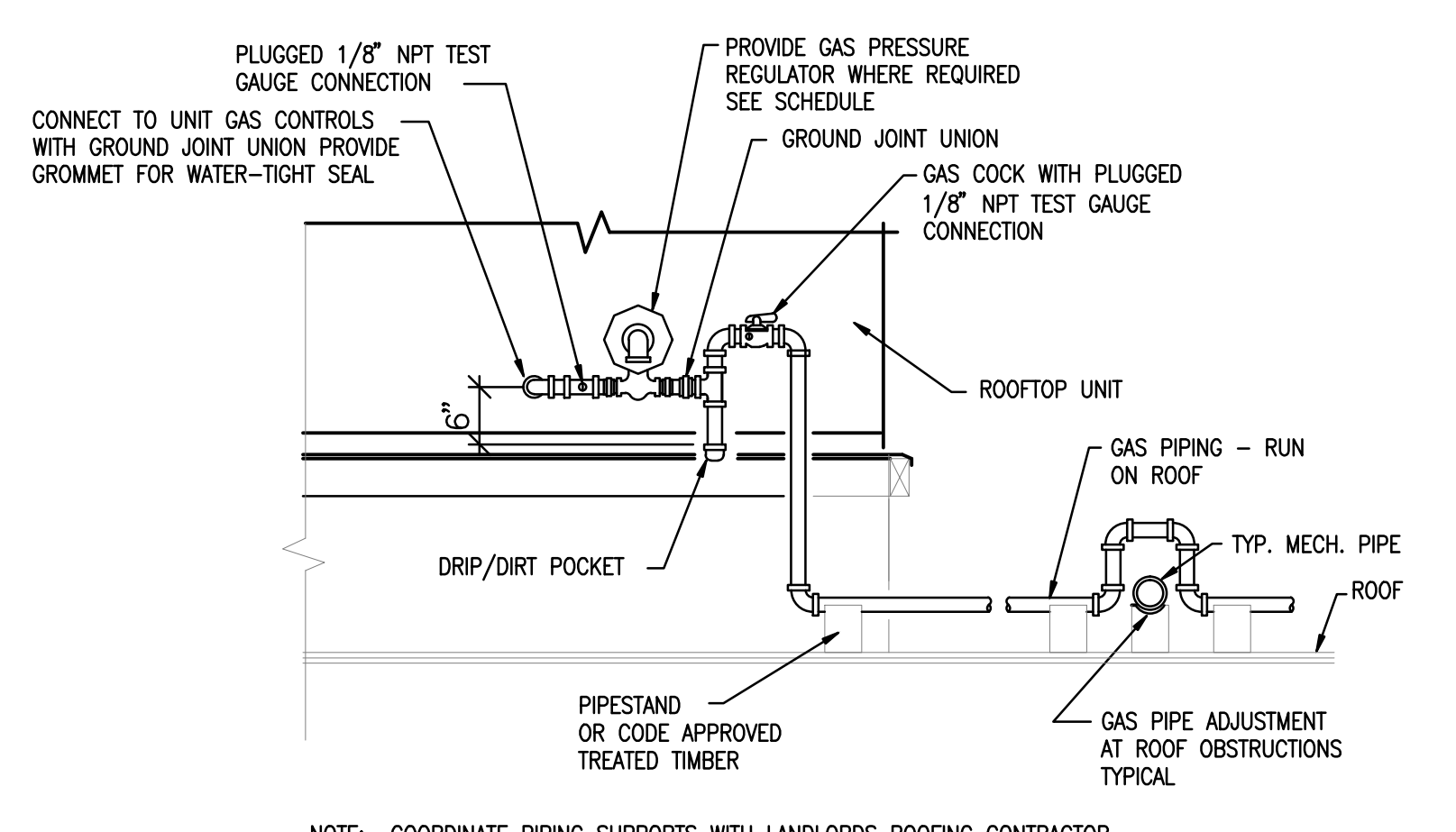
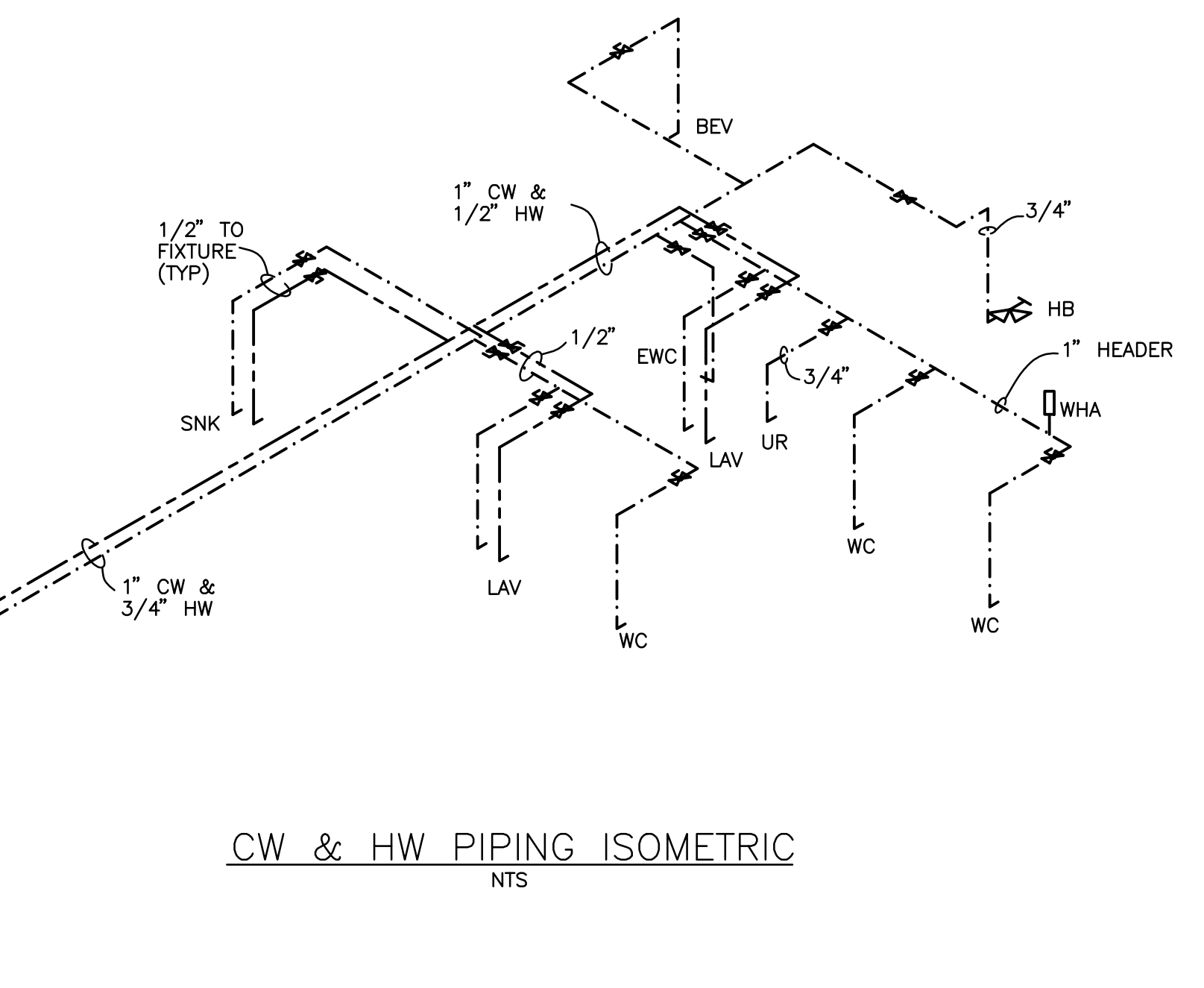
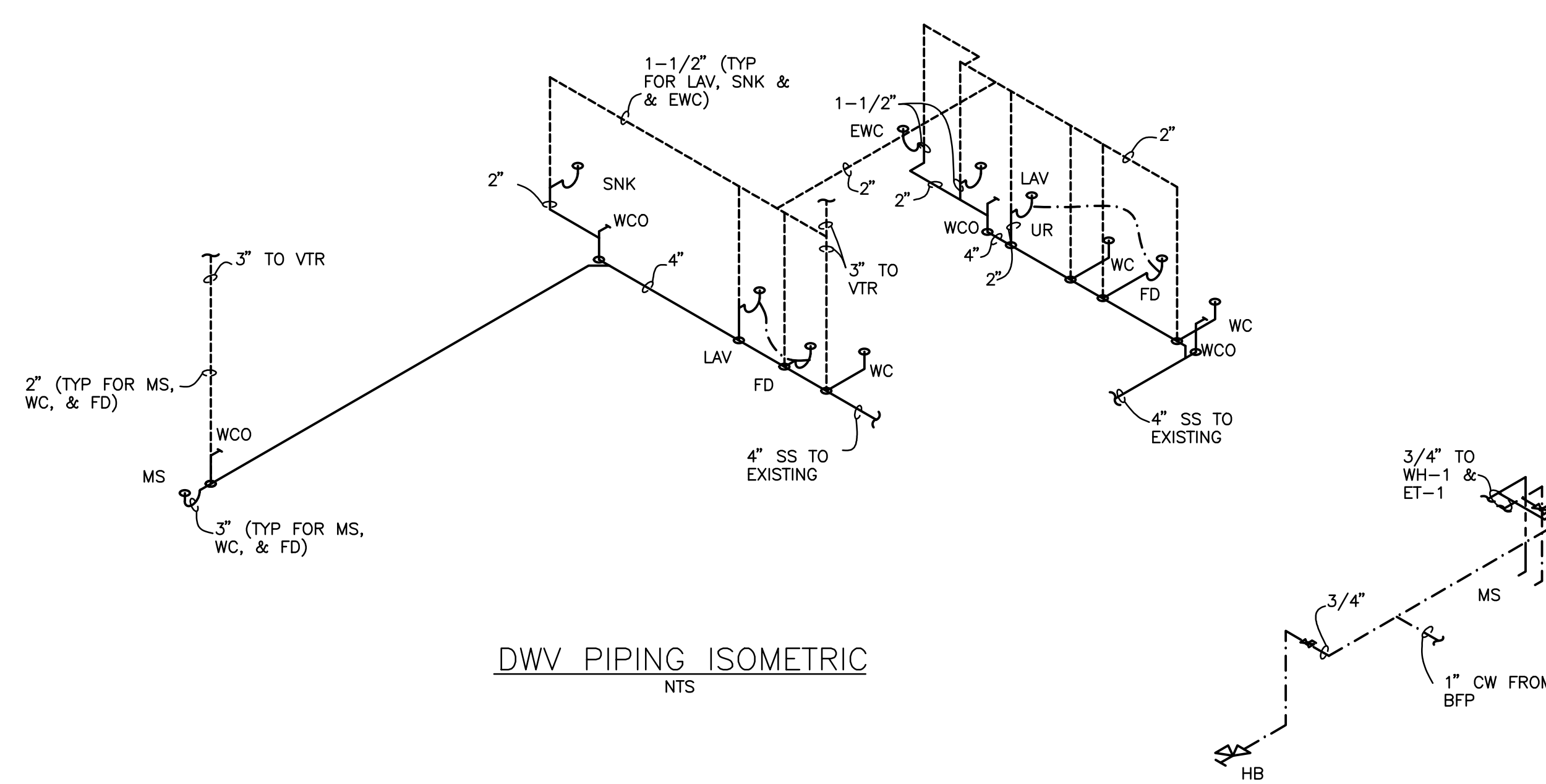
The Architect hereby reserves its common law copyright and other property rights in these plans, specifications and designs which are not to be reproduced, changed or copied in any form or manner whatsoever, nor are they to be assigned in any third party without first obtaining the express written permission from the Architect. This drawing is not final and is to be used for construction until signed by the Architect.

Sheet Name:
PLUMBING ISOMETRICS & DETAILS

Sheet Number:

P2.1

ORA JOB# 01014



NOTE: CONTRACTOR SHALL VERIFY ALL MECHANICAL GAS FIRED EQUIPMENT CONNECTION LOCATIONS IN THE FIELD PRIOR TO INSTALLING ANY GAS PIPE MAINS OR BRANCHES.

