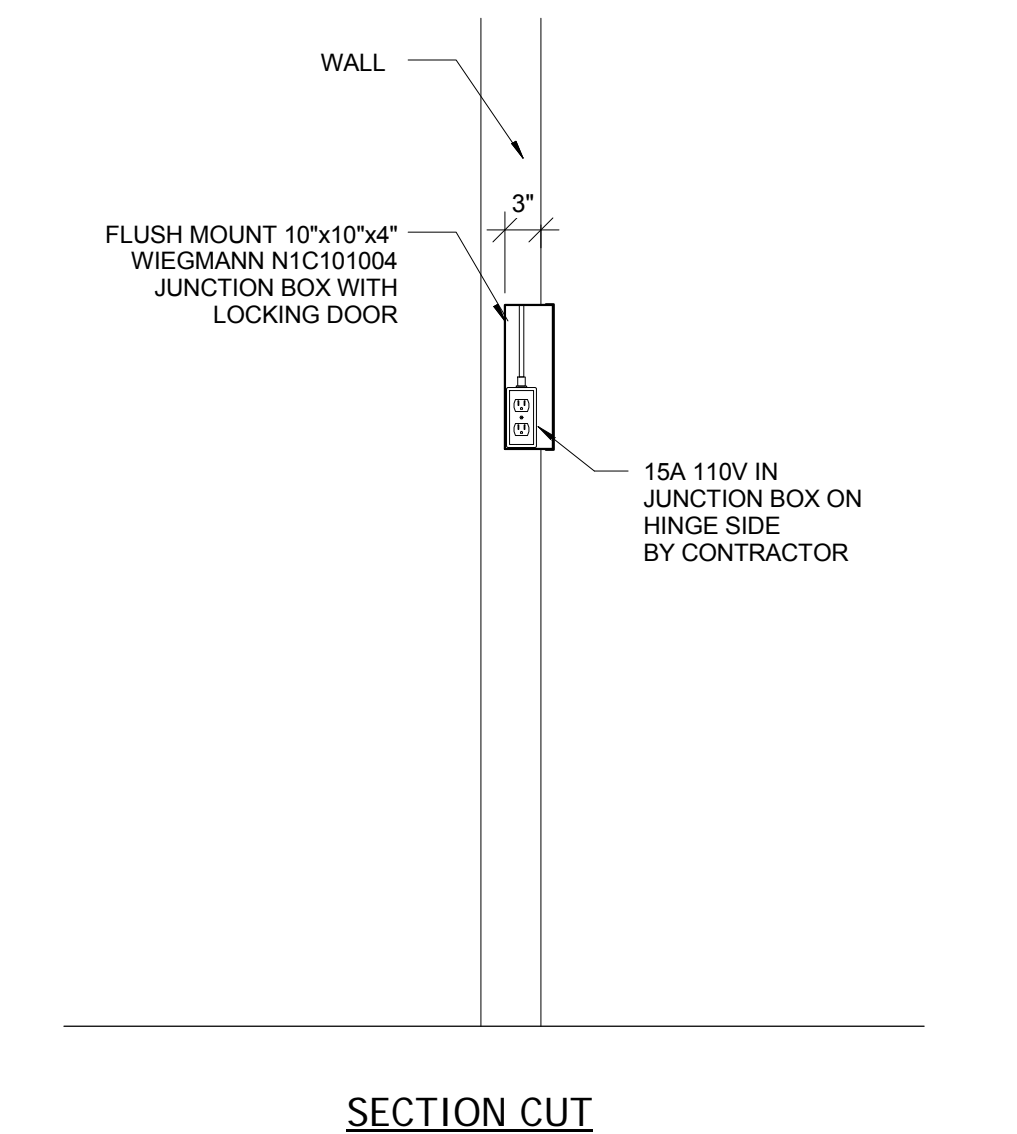
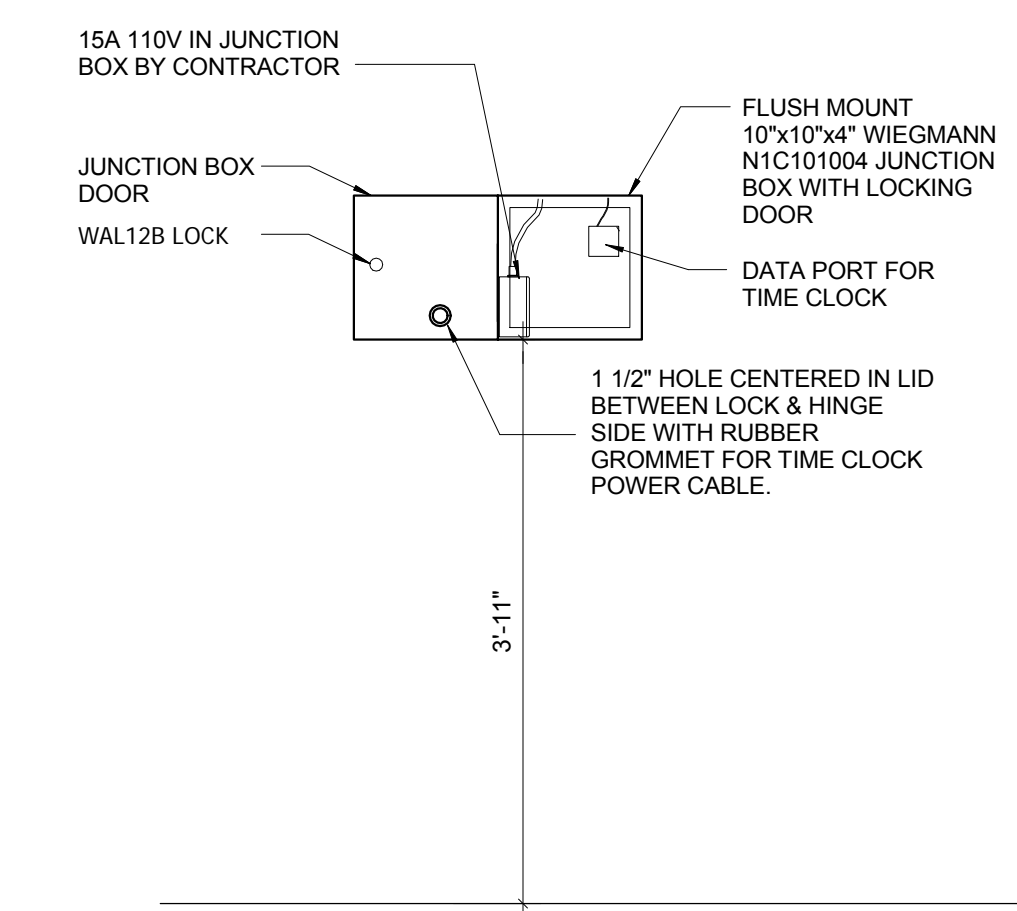


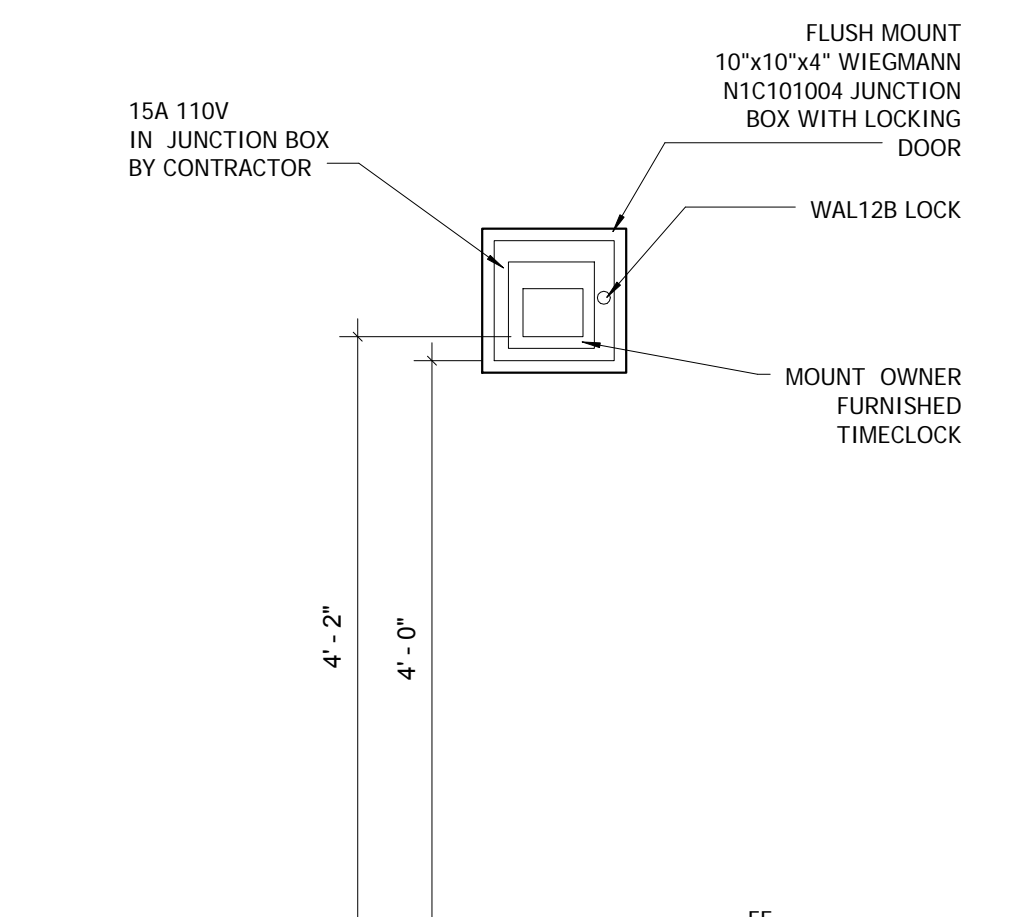
15 ODFL - TV Shelf Detail
1/2" = 1'-0"



SECTION CUT

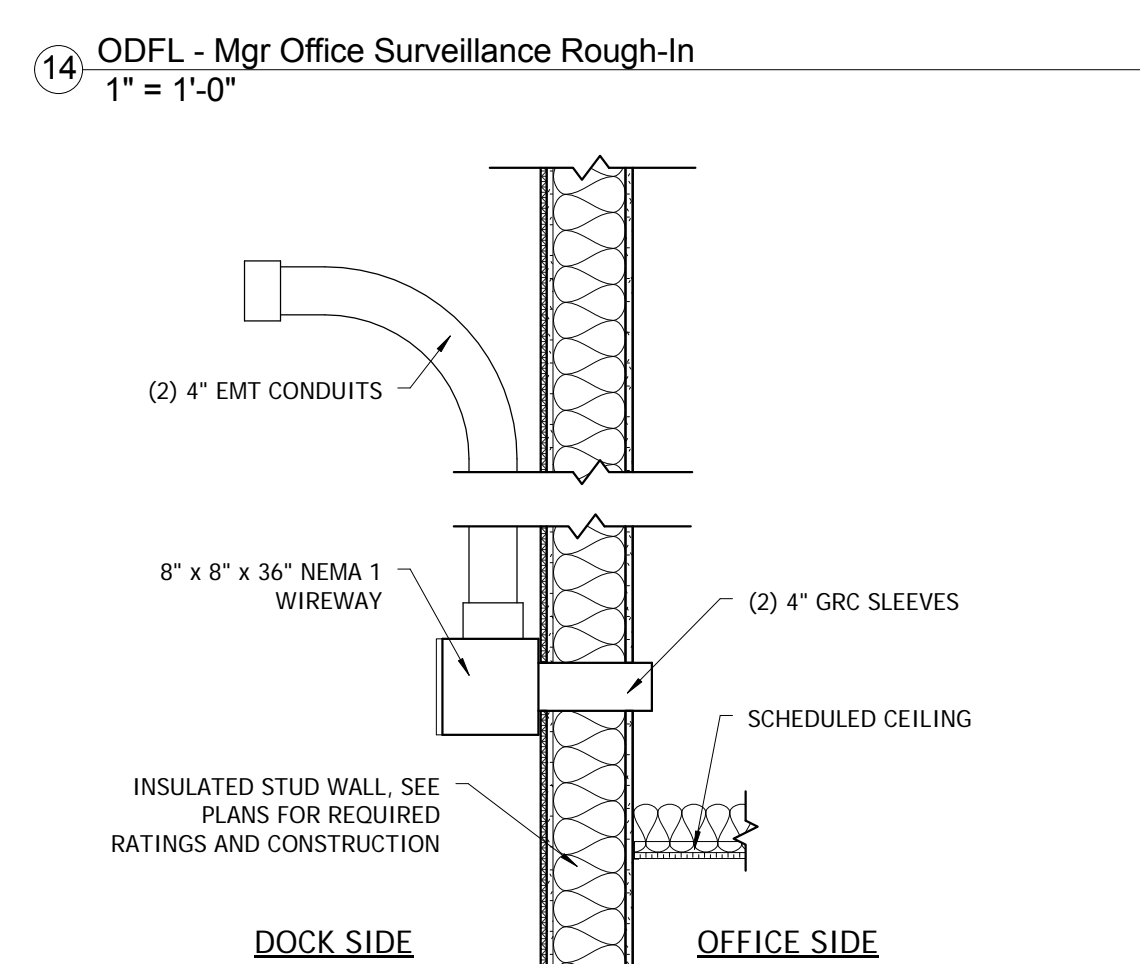


ELEVATION - OPEN LID



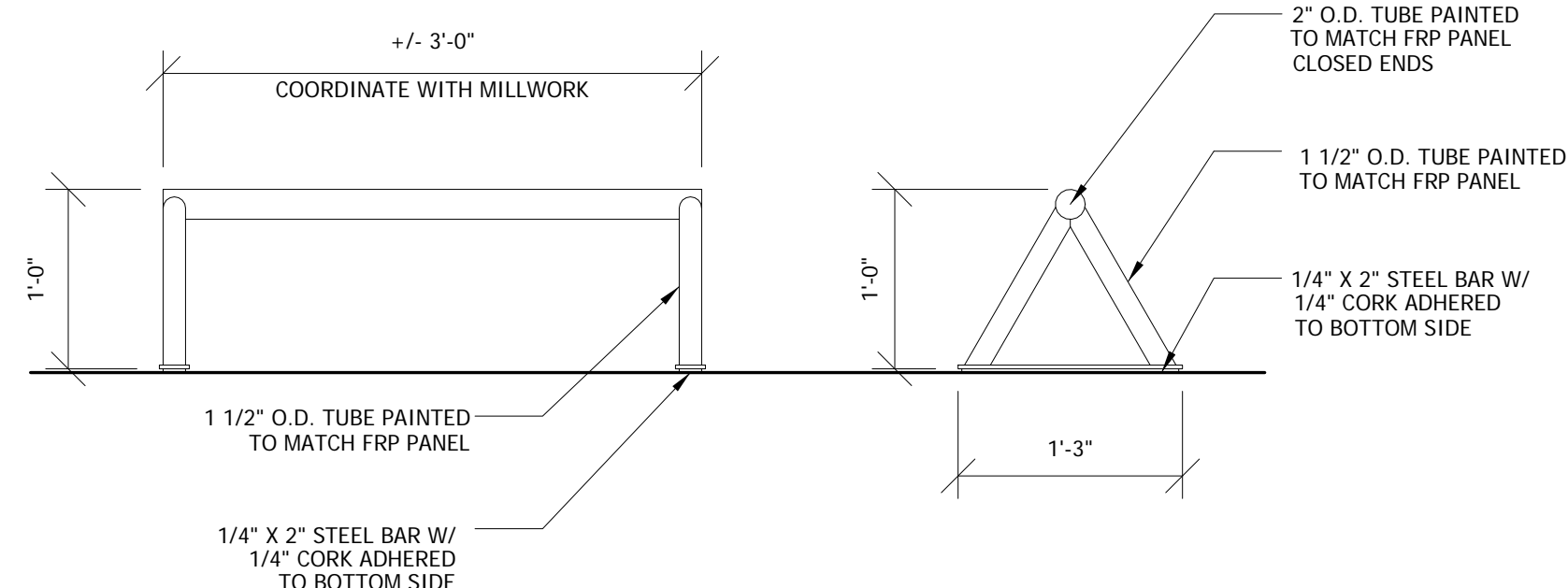
ELEVATION - LID CLOSED

4 TIME CLOCK DETAIL
3/4" = 1'-0"



14 ODFL - Mgr Office Surveillance Rough-In
1" = 1'-0"

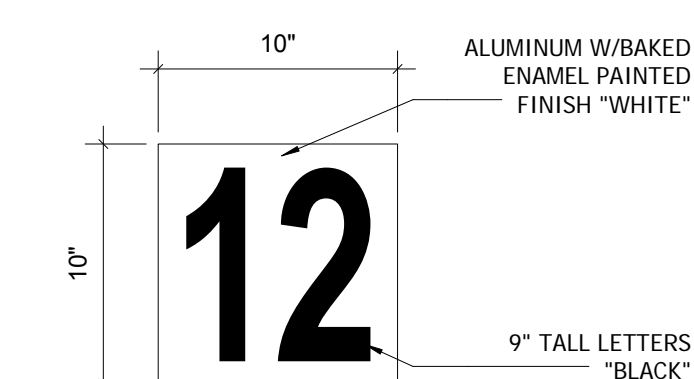
13 ODFL - Comm. Transition Box
3/4" = 1'-0"



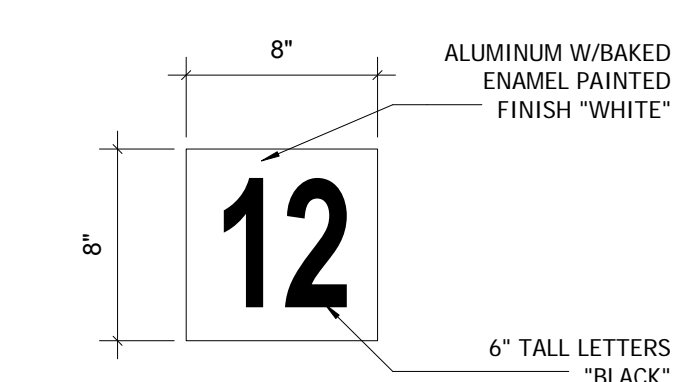
FRONT ELEVATION END ELEVATION

10 ODFL - Foot Rest Detail
1" = 1'-0"

TERMINALS OF 99 DOORS OR LESS



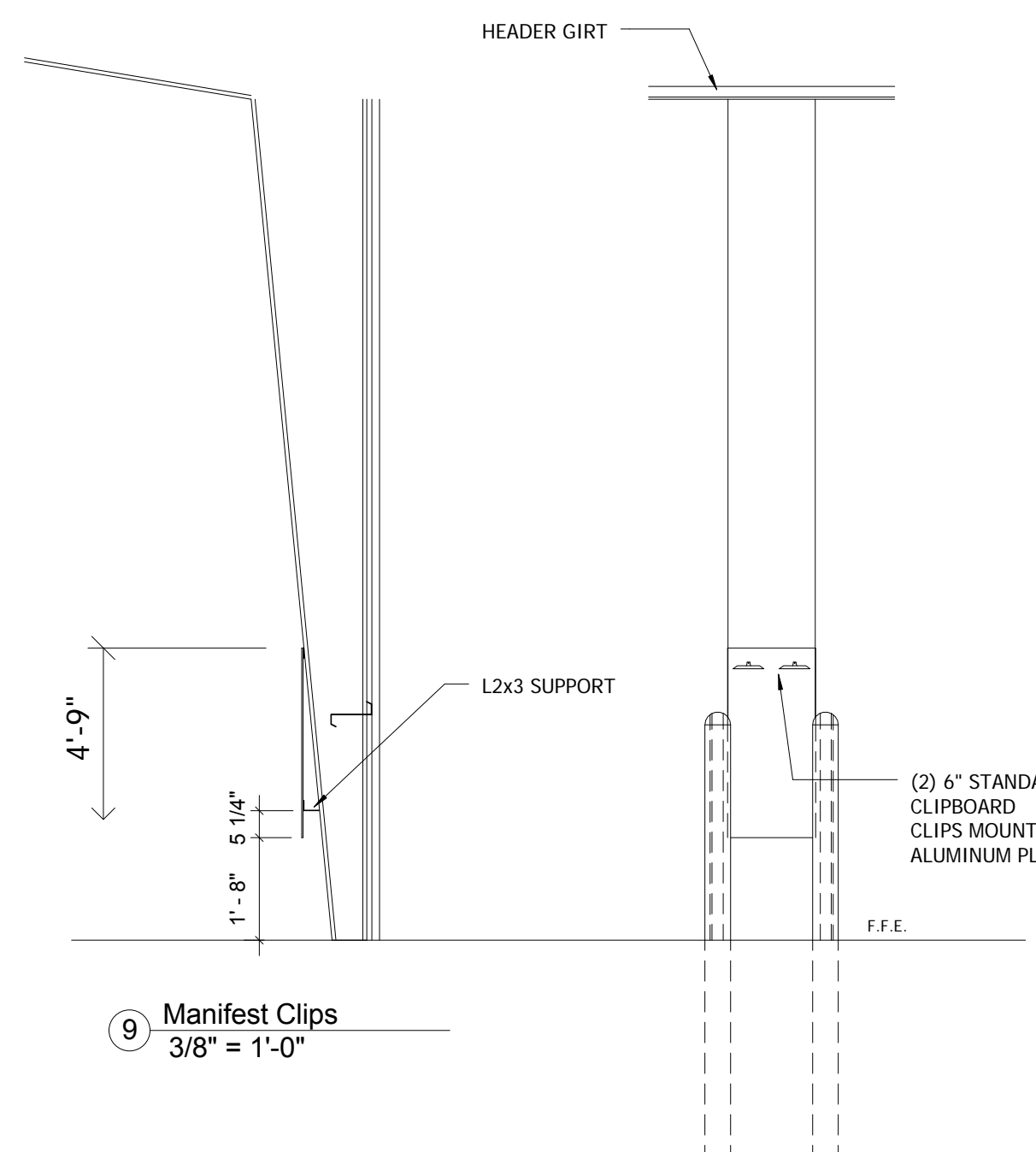
EXTERIOR SIGN



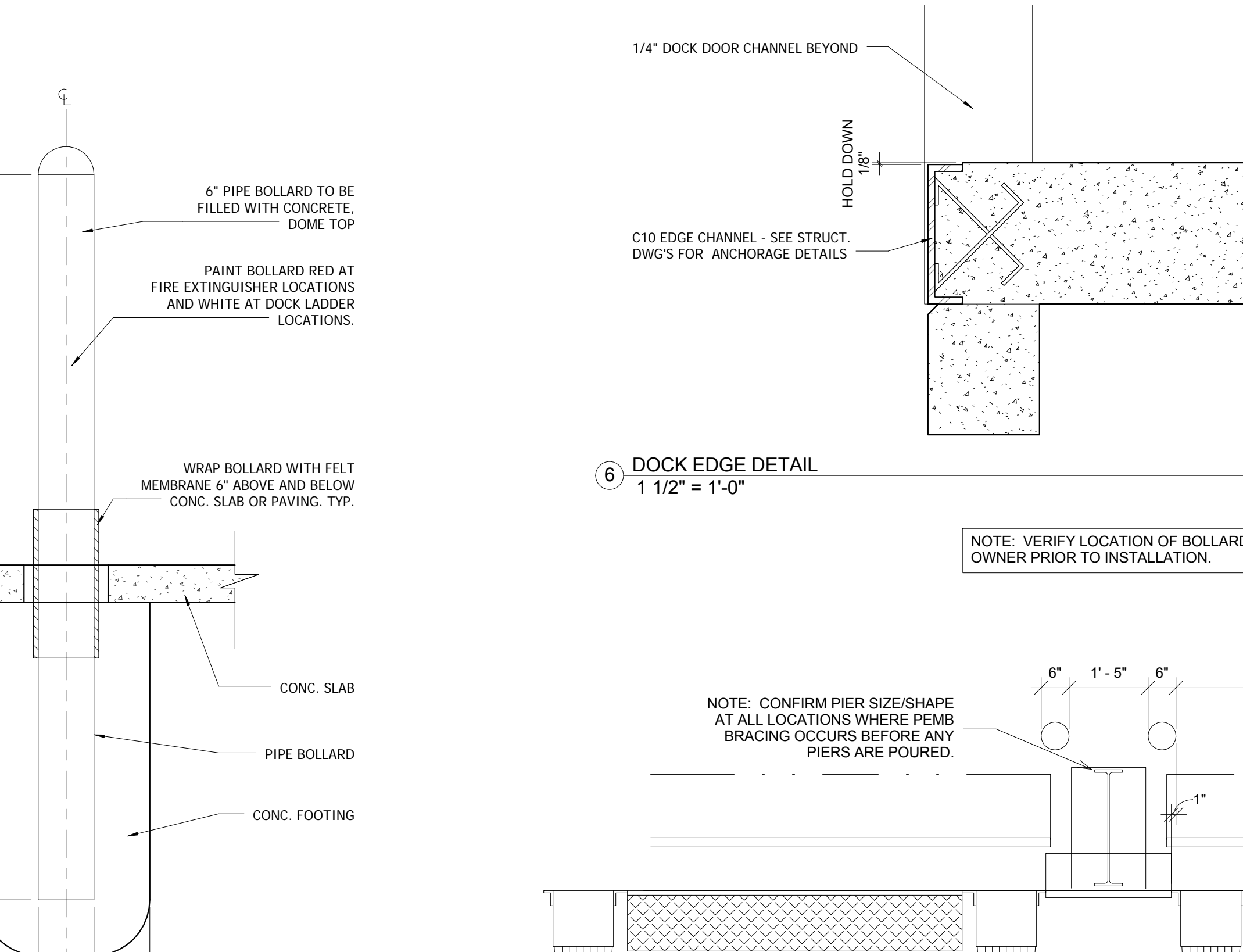
INTERIOR SIGN

NUMBERS ARE A 1-1/2" WIDE STROKE

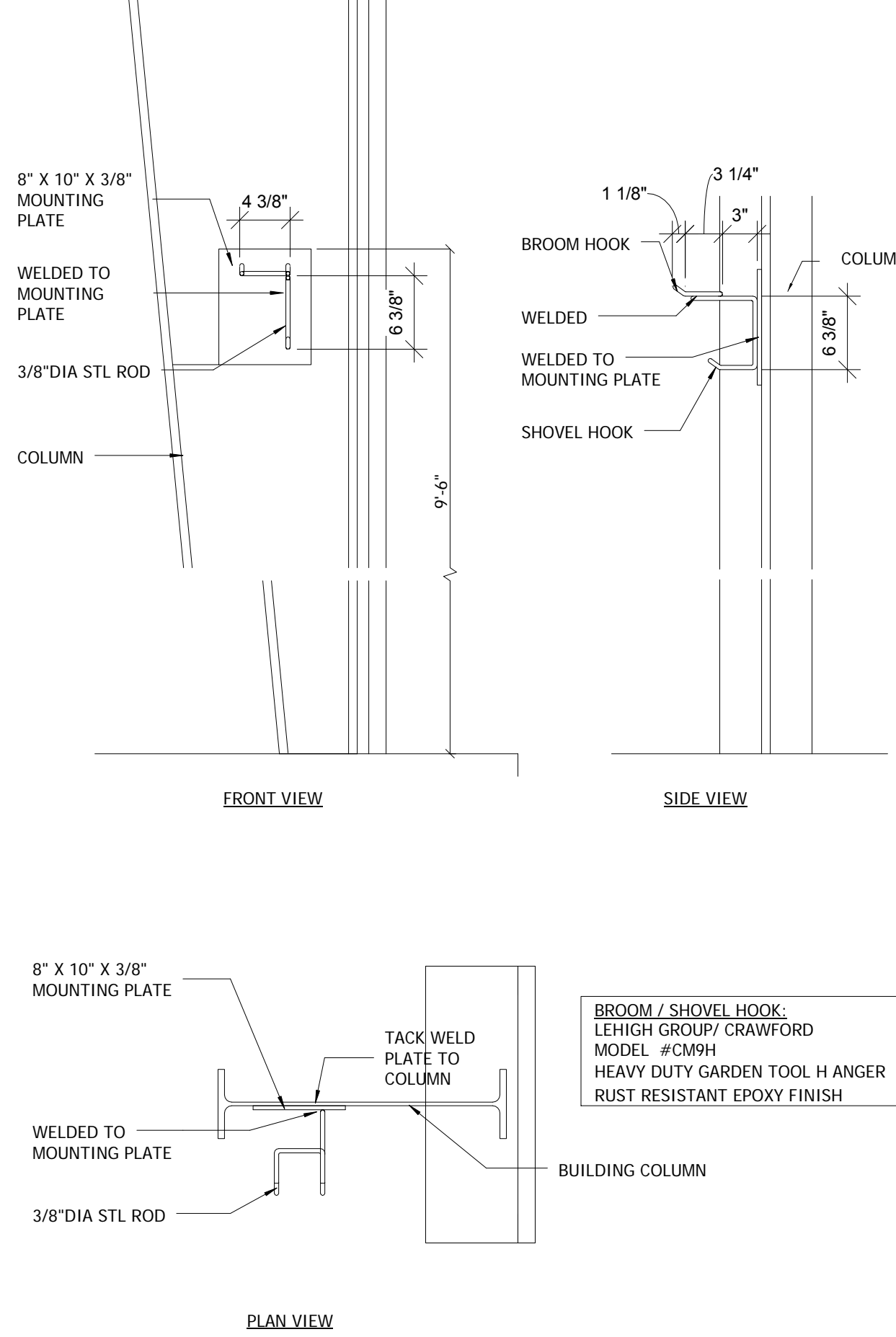
3 DOOR NUMBER DETAIL
1 1/2" = 1'-0"



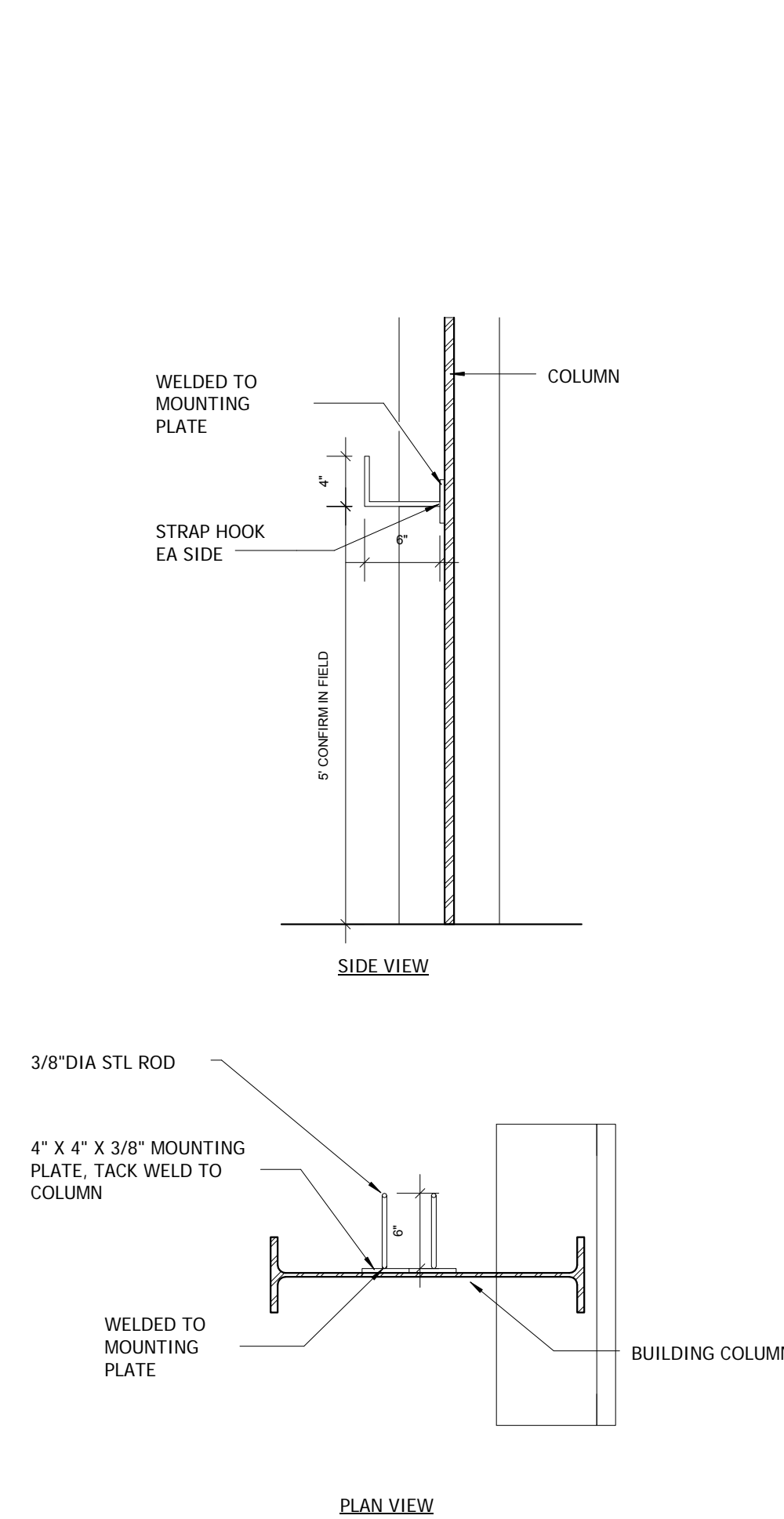
9 Manifest Clips
3/8" = 1'-0"



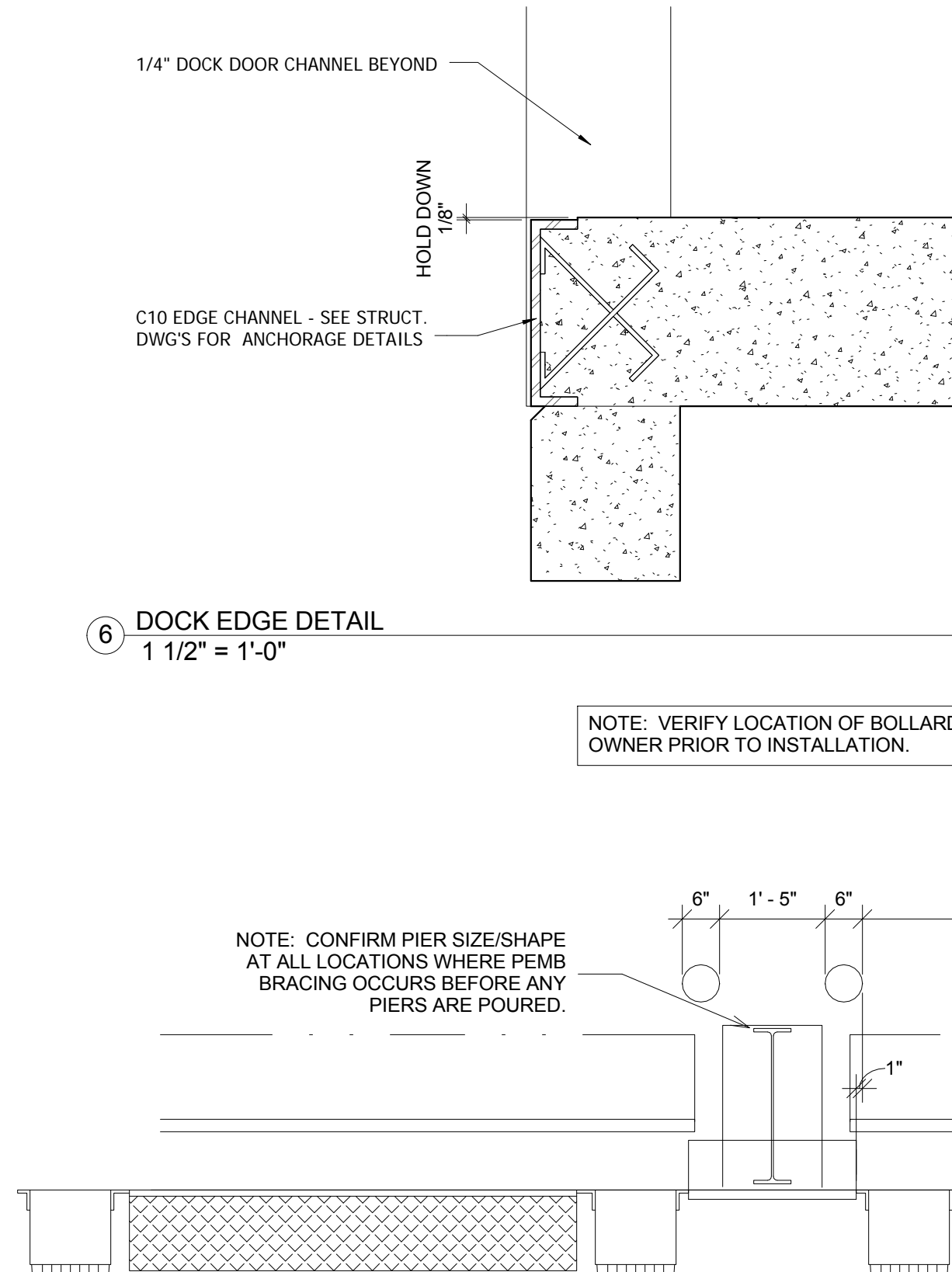
2 TYPICAL INTERIOR BOLLARD DETAIL
1 1/2" = 1'-0"



12 ODFL - Broom / Shovel Hook
1" = 1'-0"

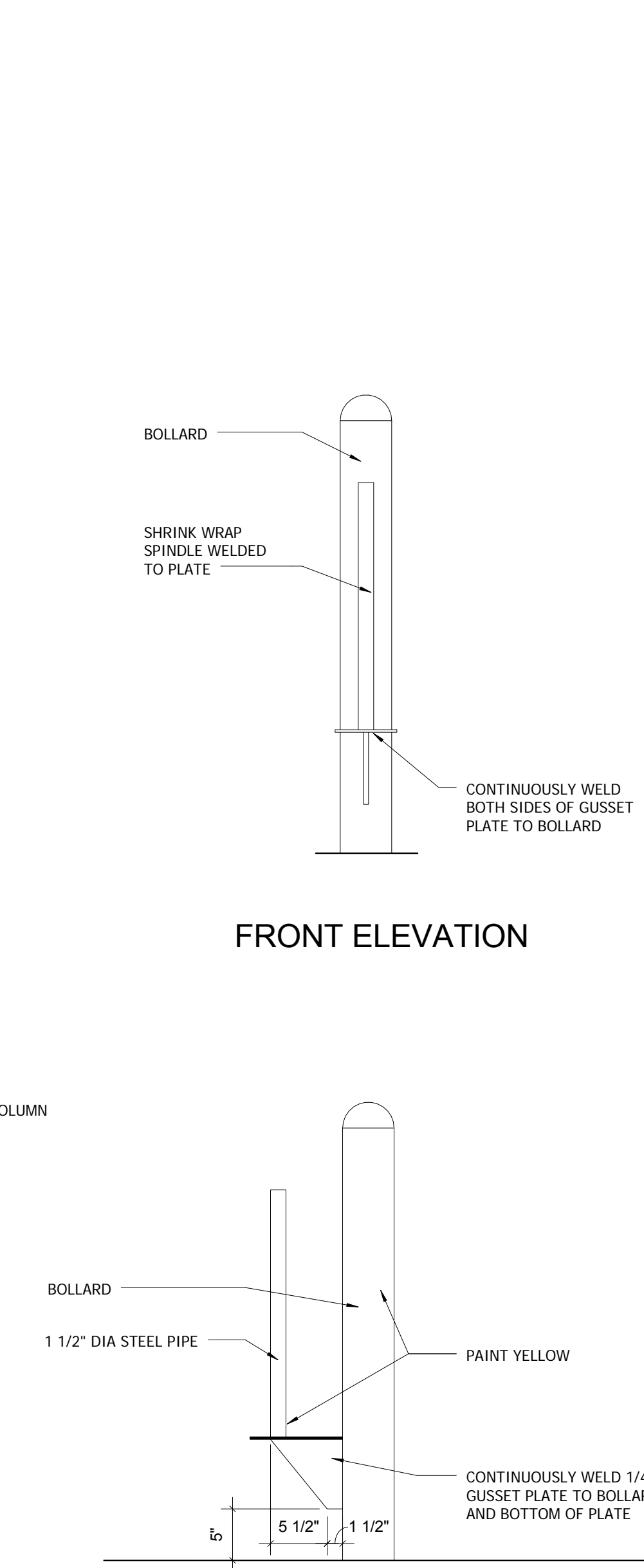


11 ODFL - Strap Hook
1" = 1'-0"

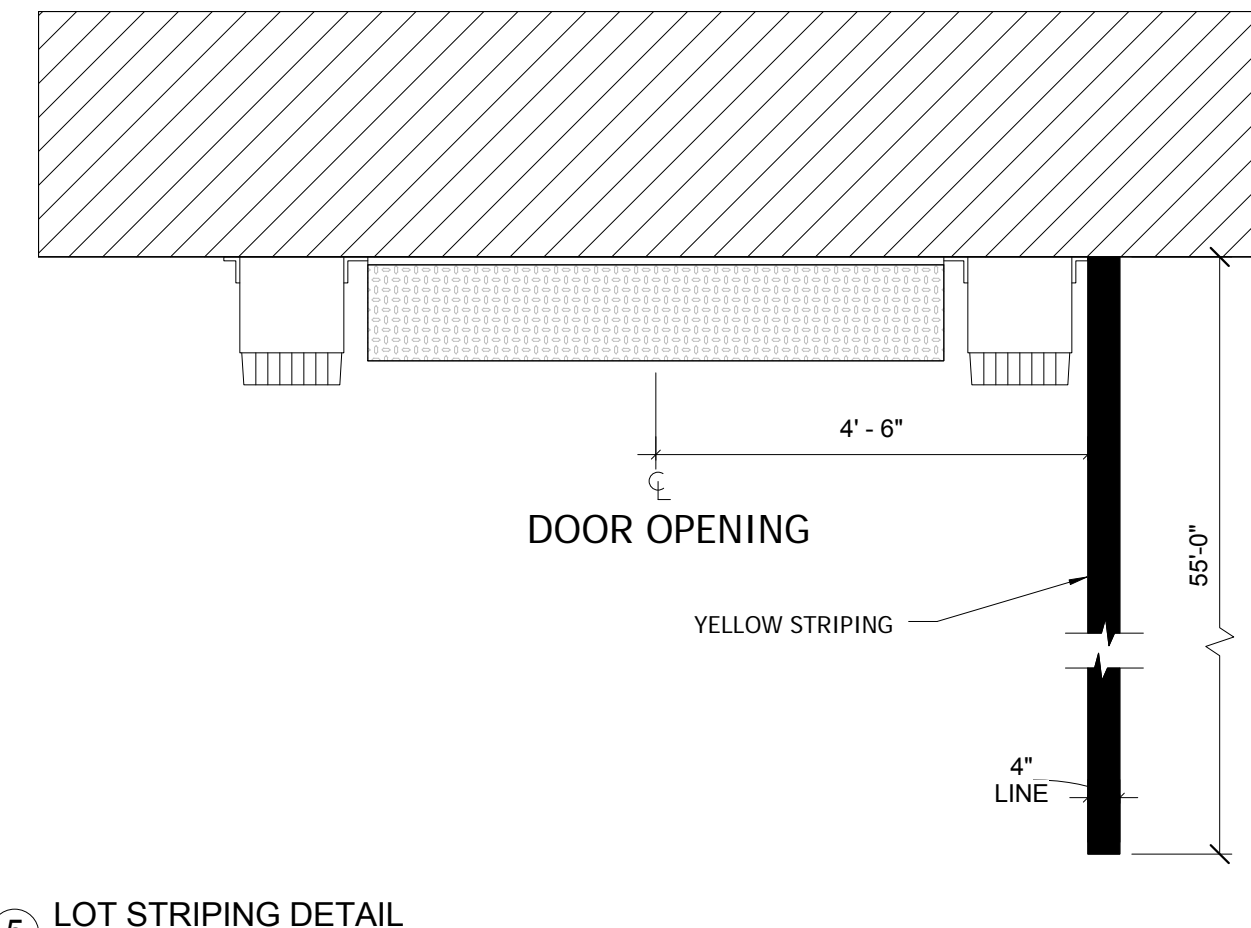


6 DOCK EDGE DETAIL
1 1/2" = 1'-0"

1 TYPICAL DOCK BOLLARD LAYOUT
1/2" = 1'-0"



7 RAIN CURTAIN HOLDER
1" = 1'-0"



5 LOT STRIPING DETAIL
1/2" = 1'-0"

NOTE: FOR FIXED BAYS OR PORTAL BRACING CONDITIONS, PIER SIZE AND SUBSEQUENT BOLLARD LOCATIONS TO BE COORDINATED WITH ARCHITECT AND STRUCTURAL ENGINEER.

NOTE: VERIFY LOCATION OF BOLLARDS WITH OWNER PRIOR TO INSTALLATION.

NOTE: CONFIRM PIER SIZE/SHAPE AT ALL LOCATIONS WHERE PEMB BRACING OCCURS BEFORE ANY PIERS ARE POURED.