

CODE ANALYSIS

- Maine Uniform Building and Energy Code
- 2009 edition of the International Building Code
 - 2009 edition of the International Existing Building Code
 - 2009 edition of the International Residential Code
 - 2009 edition of the International Energy Conservation Code
- ASHRAE Standards 62.1, 62.2, and 90.1
2009 NFPA 1 - Fire Code
2009 NFPA 54 - Natural Fuel and Gas Code
2009 NFPA 101 - Life Safety Code
2007 (UPC) Maine State Plumbing Code
2007 NEC National Electric Code
2010 ADAAG Accessibility Code

CODE ANALYSIS

- Occupancy: Dock - Group S1 Moderate Hazard Storage
Office - Group B Separated from Dock with 3 Hour Rated Partition
Shop - Group S1 Vehical Repair unseparated from Office
- Per IBC 508.3 & Table 508.4 building meets Nonseparated Occupancy requirements, Separation is being provided to allow for future expansion plans.

- Construction Type: Type IIB, Unprotected
- Allowable Area: Dock - Group S1 - 17,500 SF per IBC Table 503
- Actual Area :
Shop 1,096
Dock 5,406
Office 2,335
Total: 8,837
- Allowable Height: 3 Stories, 55'-0"
- Actual Height: +/- 15' -10" to roof ridge
- Fire Protection: No Sprinkler System
- Travel Distance: 200' per IBC Table 1016.1

OCCUPANT LOADS - TERMINAL BUILDING

Automatic Fire Sprinkler: Existing: No / Proposed: No

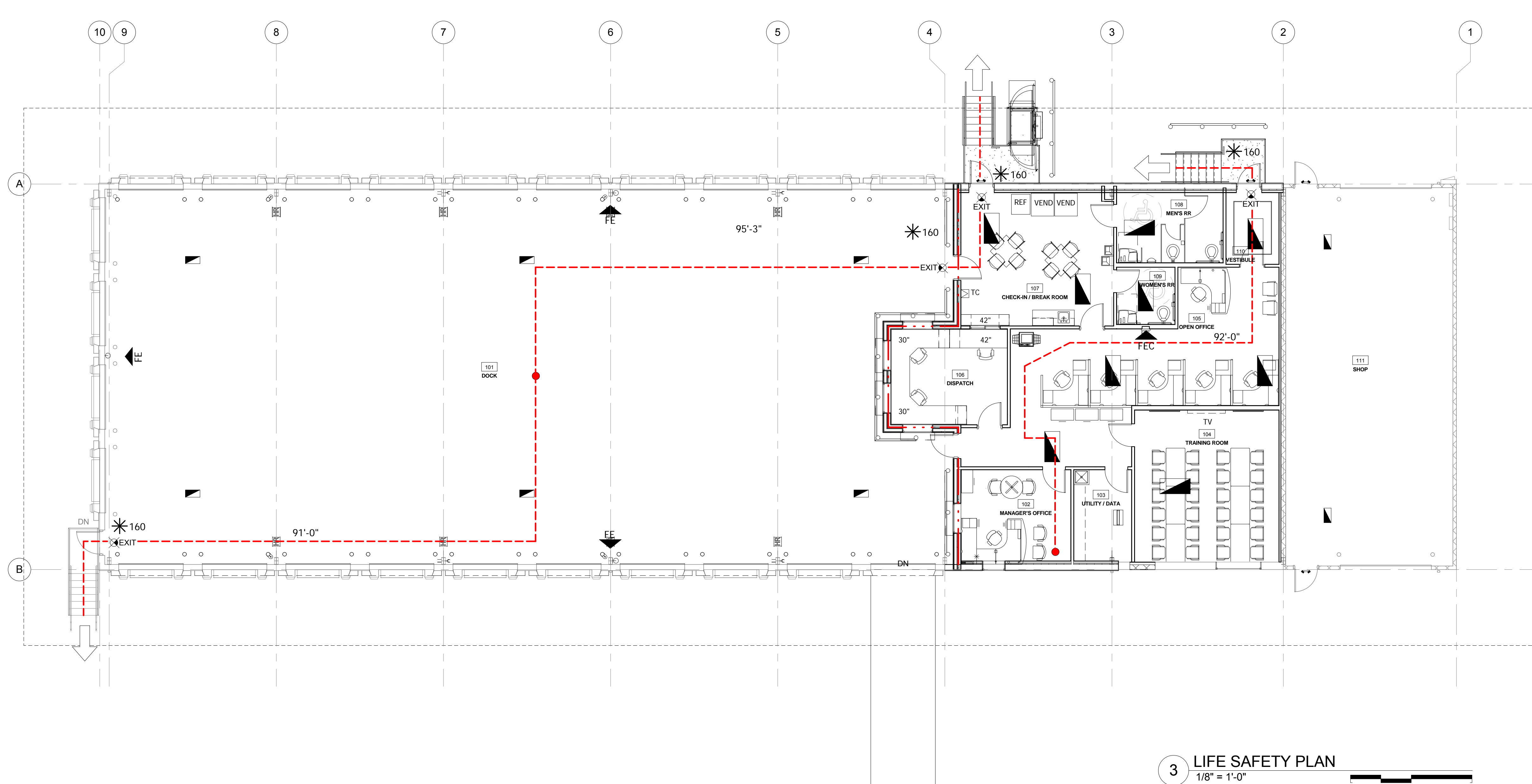
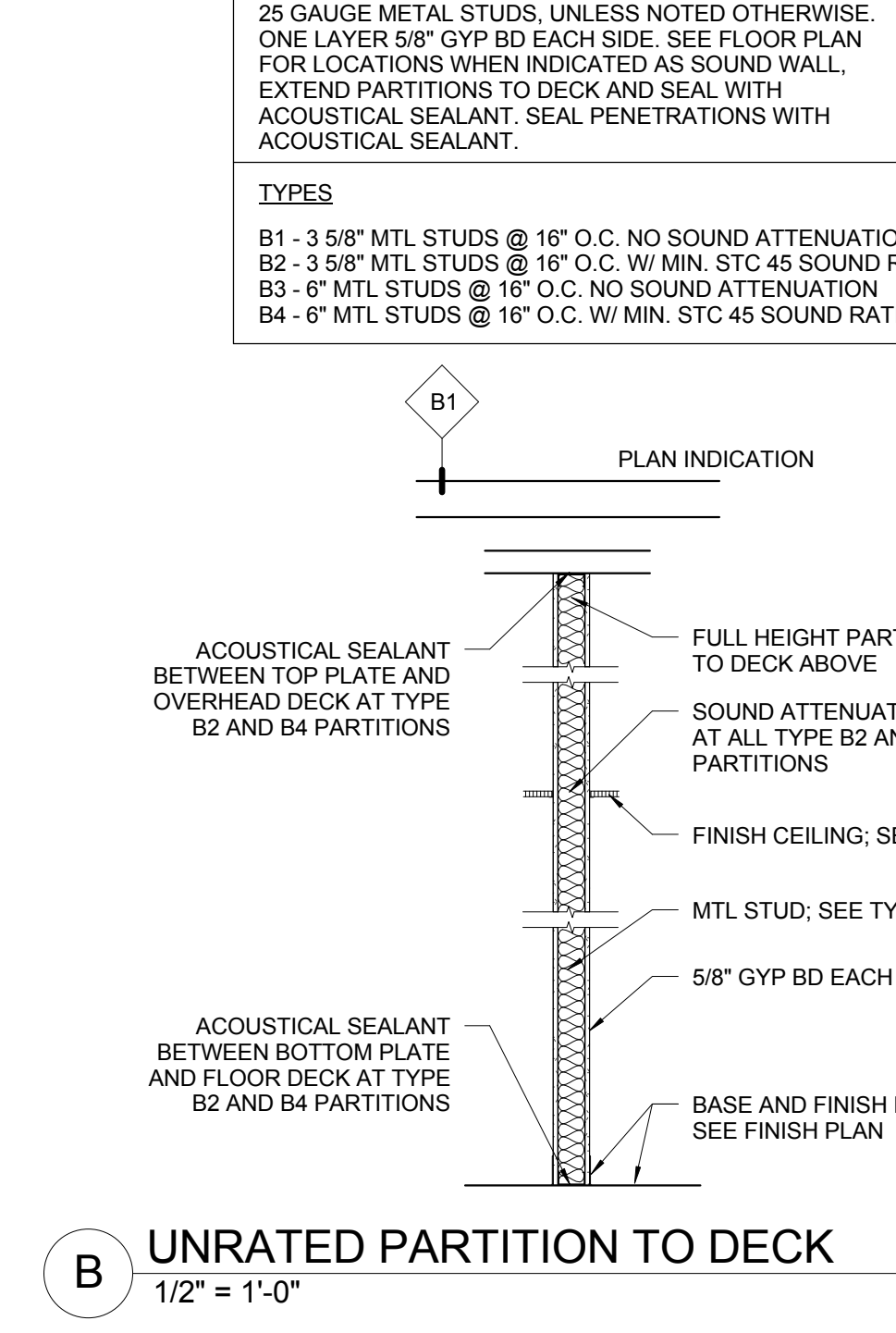
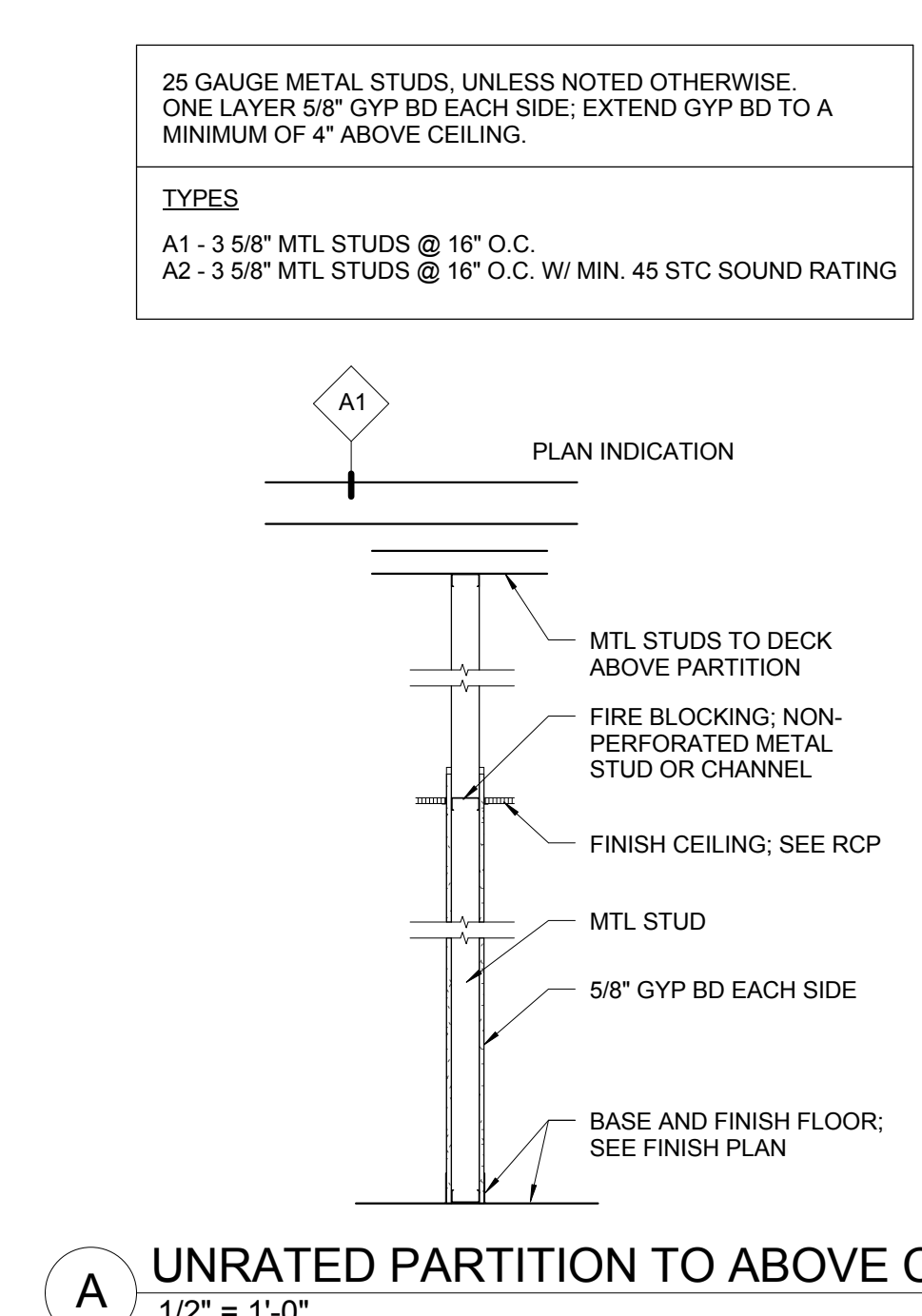
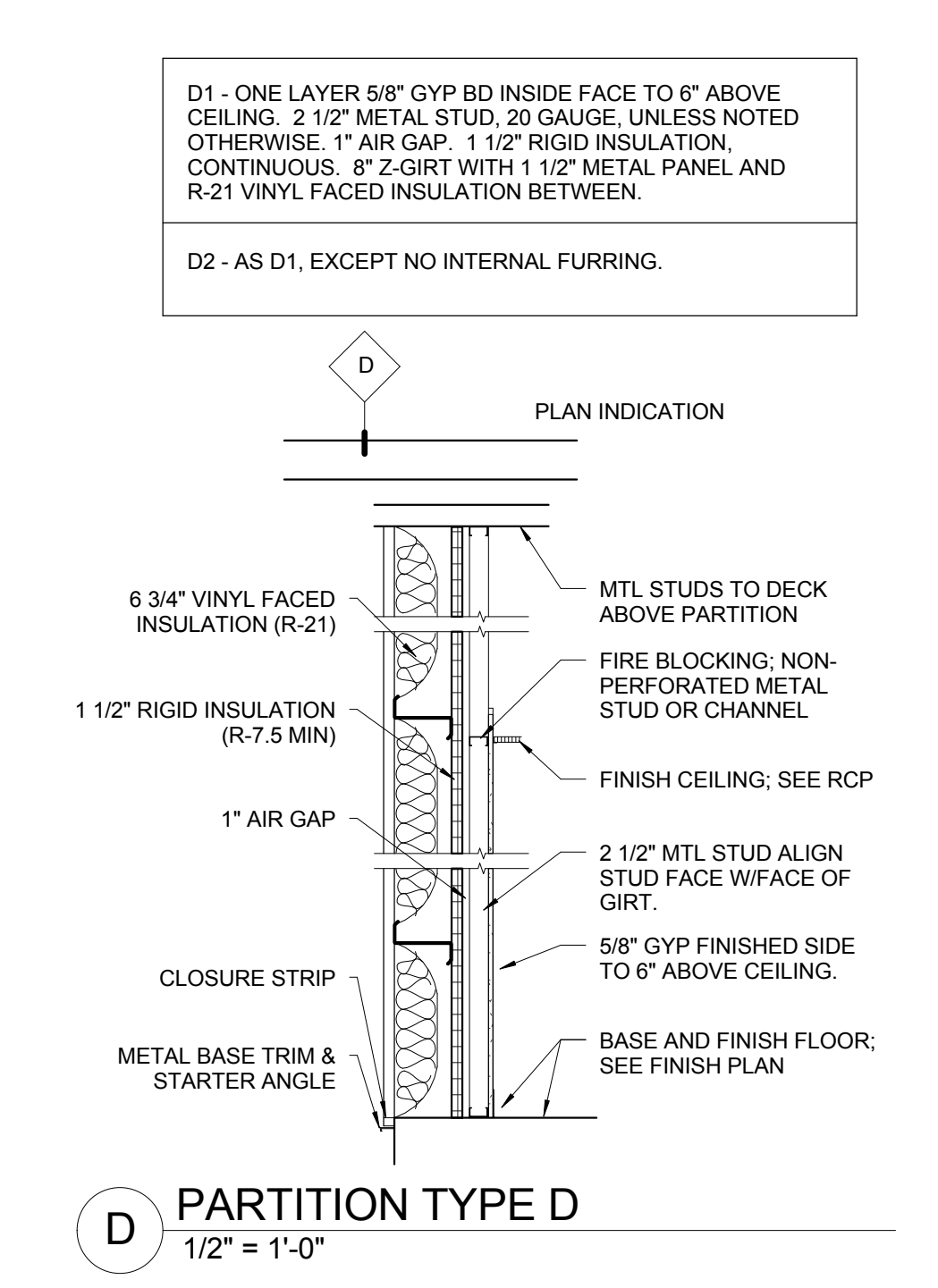
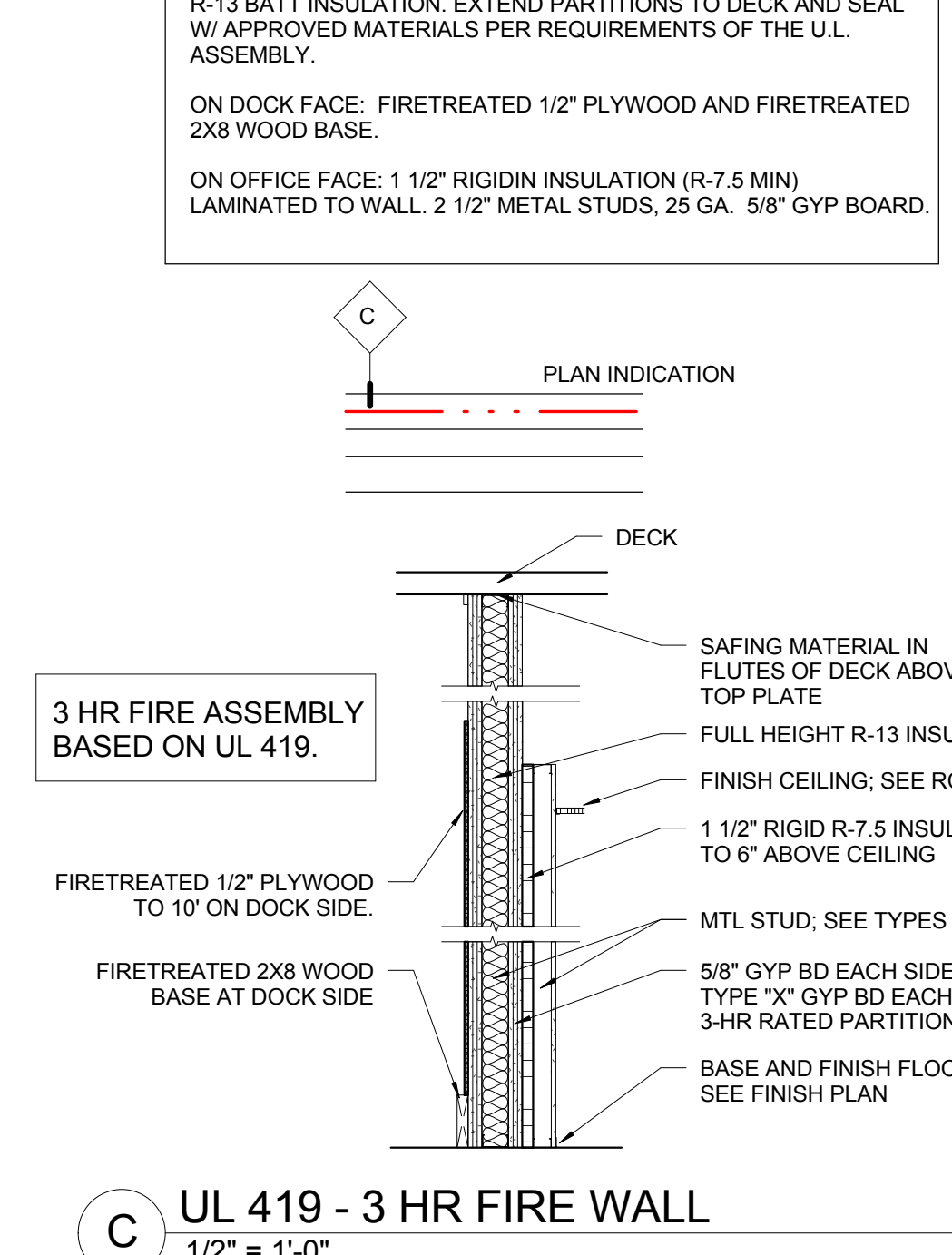
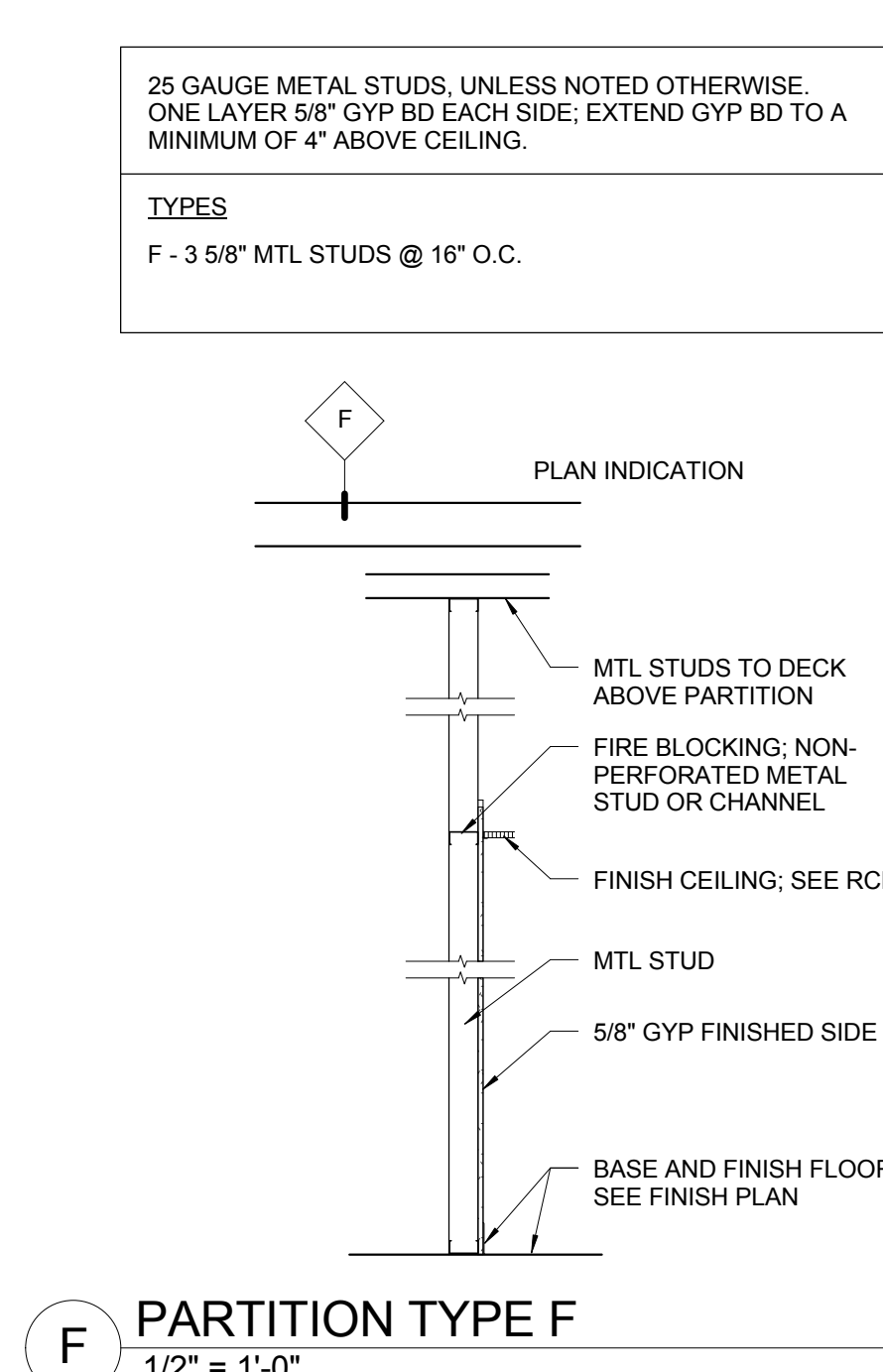
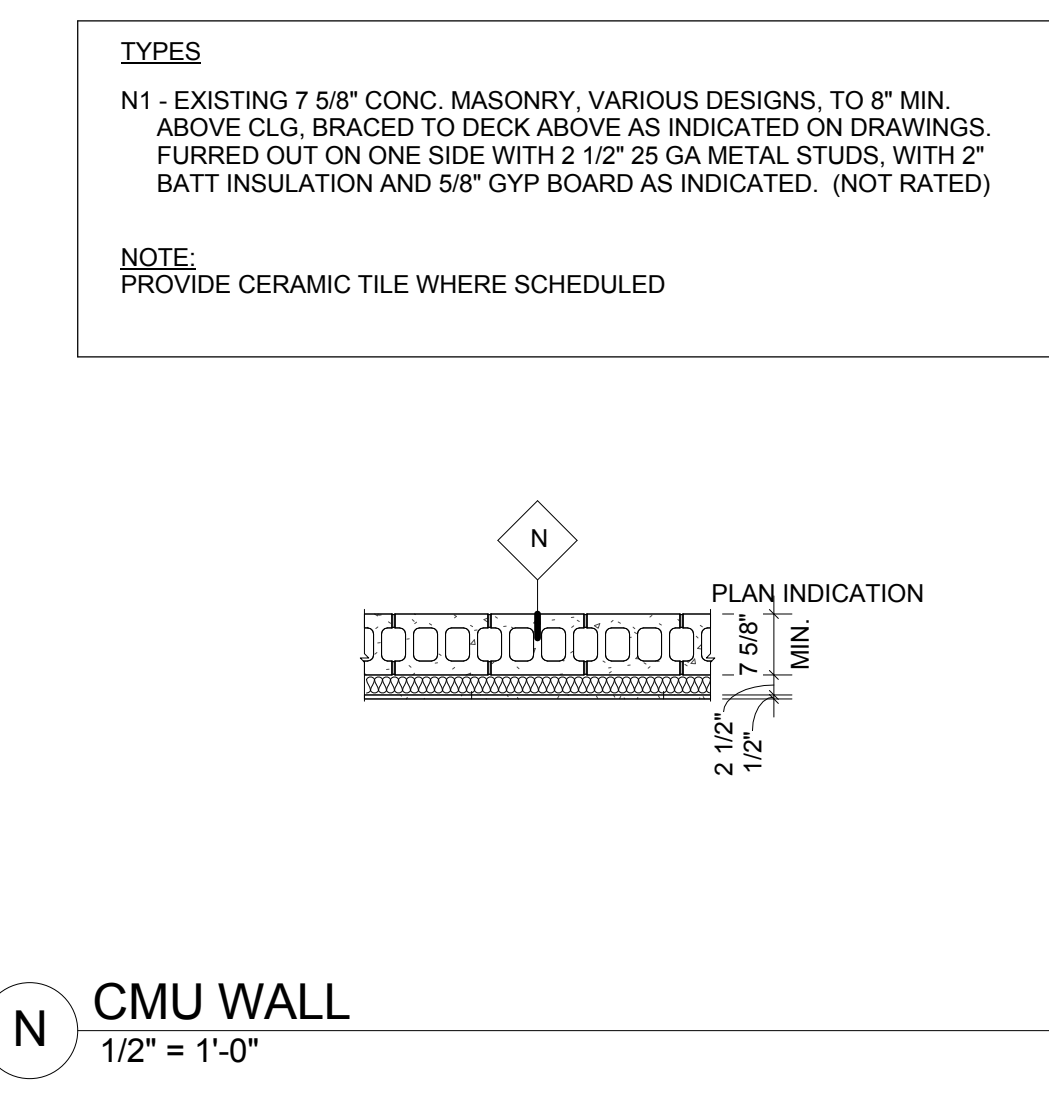
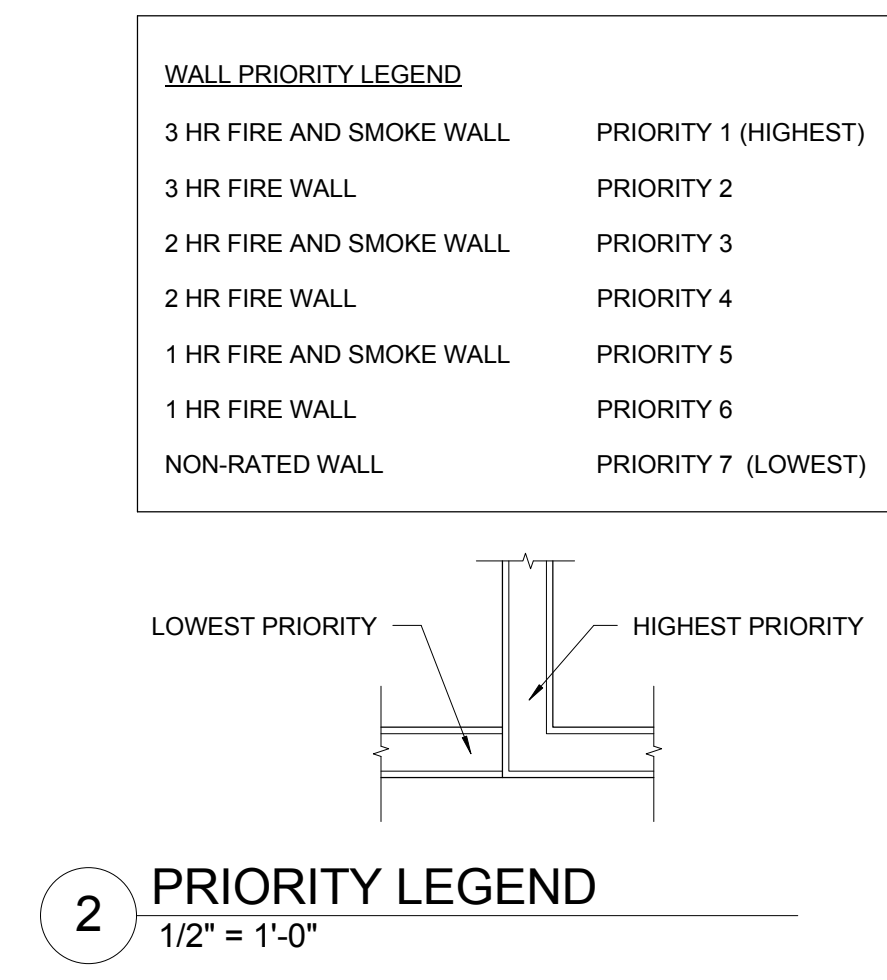
Occupant Load:	Shop	1,096/300 =	4 occ
	Dock	5,406/300 =	19 occ
	Office	2,335/100 =	24 occ
	Total Occupant Load		47 occ

Required Egress Width: 47 x 0.2" = 10"
Provided Egress Width: 128"

Max Travel Distance Allowed: 200'-0"

LIFE SAFETY LEGEND

- ⊗ Exit Sign
- 170'-0" Maximum Travel Distance
- ↔ Point of Egress
- * Maximum Exit Capacity (Number of People)
- ☺ Fire Extinguisher (Wall Mount) FE
- ☺ Fire Extinguisher (Recessed Wall Cabinet) FEC
- ☑ Emergency Overhead Lighting
- ☑ Emergency Outdoor Lighting



3 LIFE SAFETY PLAN
1/8" = 1'-0"