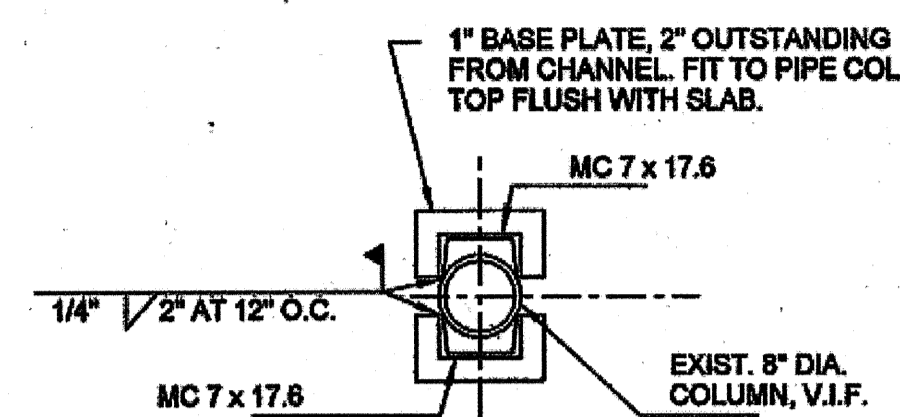


PLAN NOTE:

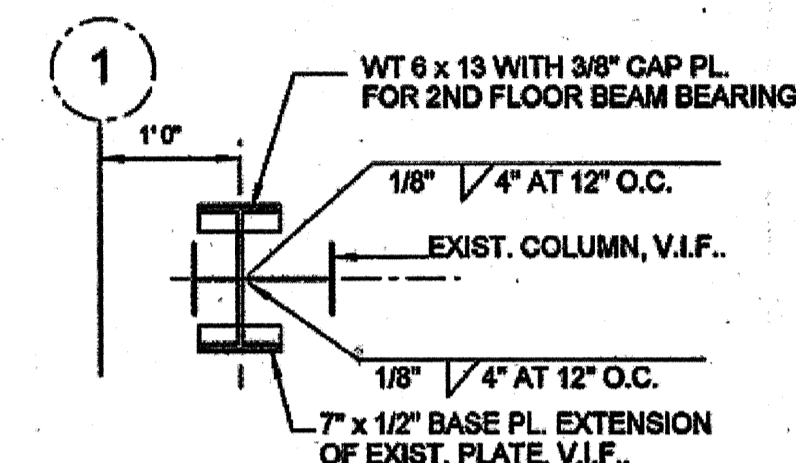
1. WHEN ALL NEW FOOTING EXCAVATIONS ARE COMPLETE, PROVIDE CERTIFICATION FROM THE GEOTECHNICAL ENGINEER OF TWO TON SOIL BEARING CAPACITY.
2. EXPOSE THE EXISTING PILASTERS AND COLUMN BASES AT COLUMNS C1, C2 AND C4 FOR INSPECTION BY THE STRUCTURAL ENGINEER.

COLUMN SCHEDULE:

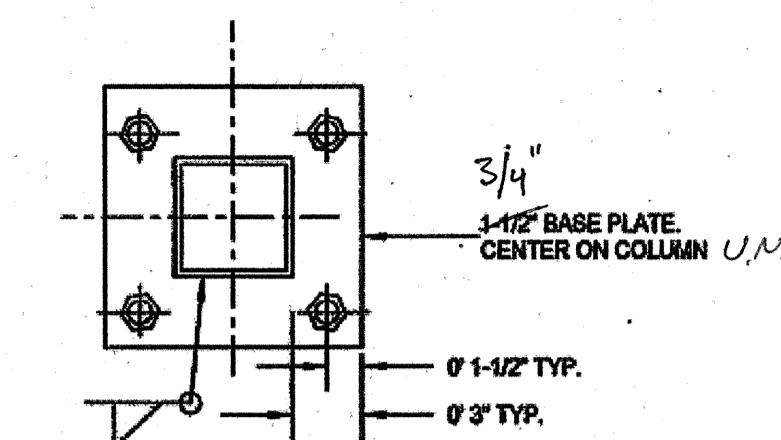
- C1 SEE DETAIL
- C2 HSS 8 x 6 x 3/8
- C3 HSS 5 x 5 x 5/16
- C4 SEE DETAIL



TYPE C1 COLUMN



TYPE C4 COLUMN



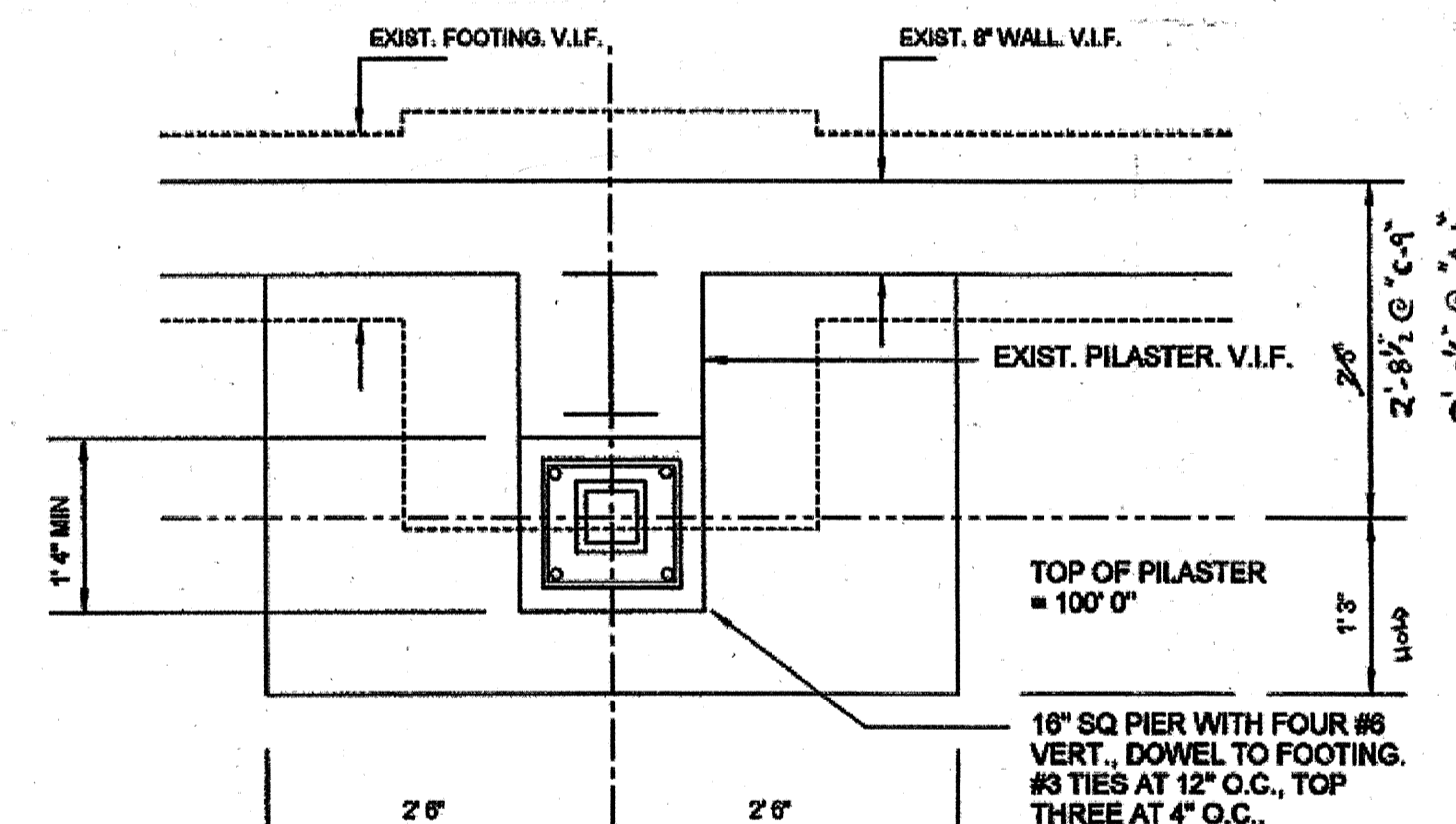
TYPICAL HSS COLUMN BASE PLATE

COLUMN BASE NOTES:

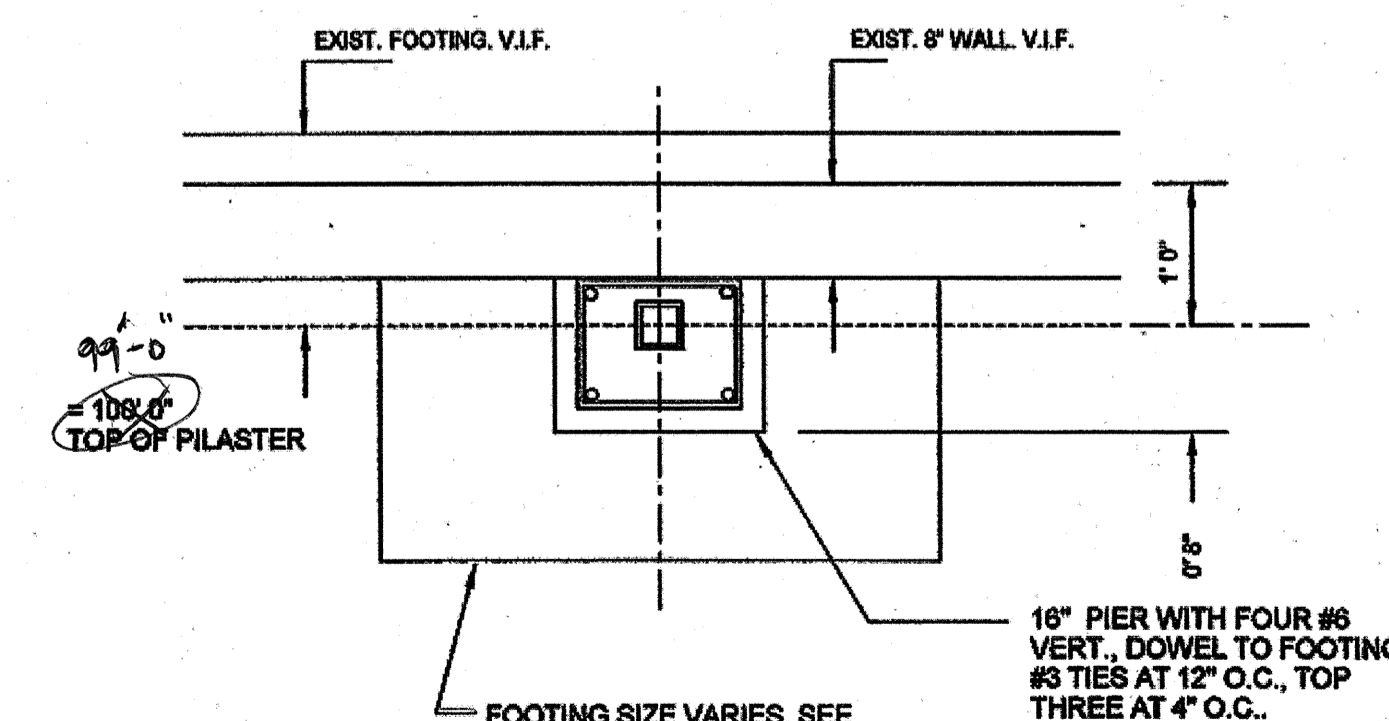
1. BOTTOM OF BASE = 80" EXCEPT, 100" ON EXTERIOR PILASTERS AND AS SHOWN AT PIPE COLUMNS. BEAR ON 1/4" LEVELING PLATE ON 3/4" OF NON-SHRINK GROUT.
2. COAT COLUMN BASE WITH BITUMASTIC BELOW TOP OF SLAB LEVEL.
3. PROVIDE FOUR 3/4" DIA. x 1' 4" LONG, PLUS 3" BEND, A-36 ANCHOR RODS, WITH A 4" PROJECTION, FOR ALL COLUMNS, UNLESS OTHERWISE NOTED.

FOOTING SCHEDULE:

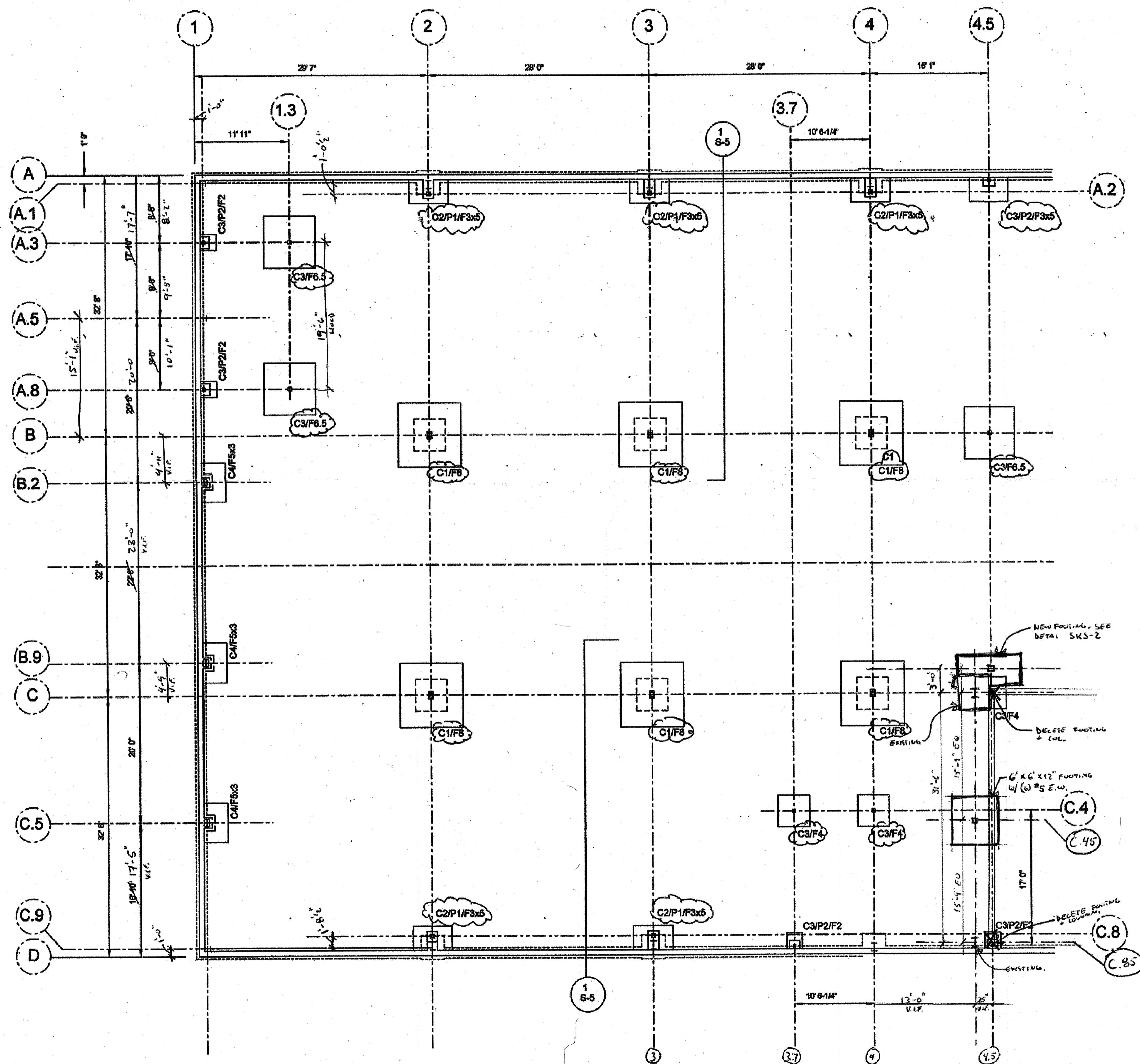
- F2 2' 0" SQ x 2' 0" DEEP (4) #4 E.W.B. DRILL AND GROUT 6" INTO EXIST.
- F4 4' 0" SQ x 1' 0" DEEP (6) #6 E.W.B. 5'-0" x 3'-0" x 12" #2 BACKWAY 10" O.C.
- F5 5' 0" x 3' 0" x 2' 0" DEEP SEE SECT. 1/S-5 5'-0" x 3'-0" x 12" #2 SEE DETAIL 1/S-5
- F6 6' 0" x 2' 0" DEEP (6) #6 E.W.B. 8' x 5' x 15" #6 E.W. 10" O.C.
- F8 8' 0" SQ x 1' 0" DEEP SEE SECT. 1/S-5 11'-0" SQ SEE DETAIL 1/S-5



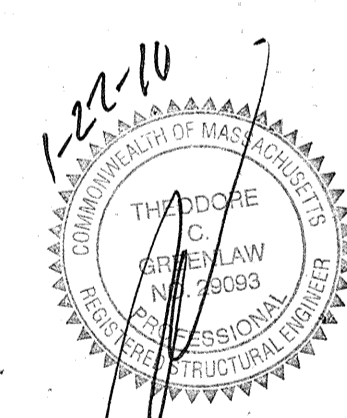
TYPE P1 PILASTER



TYPE P2 PILASTER



FOUNDATION PLAN
1/8" = 1' 0"



bka
BKA Associates, Inc.
Architects • Interiors
142 Crescent Street
Brookton, MA 02302
Tel: 603.653.9853
Fax: 603.654.2814
Email: tkennedy@bka.com

Revisions	Date

OFFICE FOUNDATION PLAN
W.B. MASON, PORTLAND, MAINE
108 PINE TREE INDUSTRIAL PARKWAY
PORTLAND, MAINE

Scale: AS SHOWN
Date: 4/29/09
Drawn By: E.H.
Checked By:
Job Number:

Drawing:
S-2
WBMPORT2