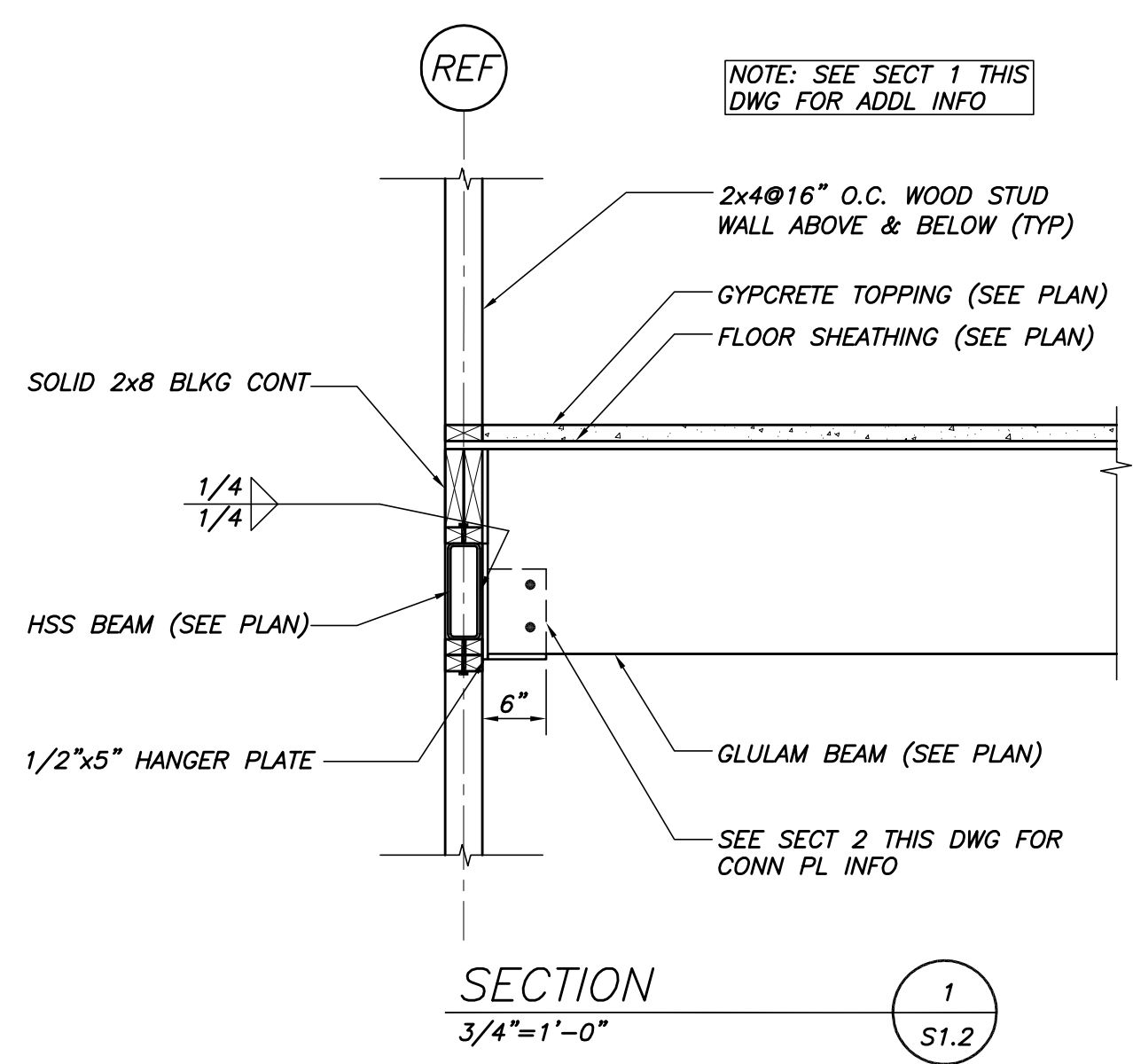
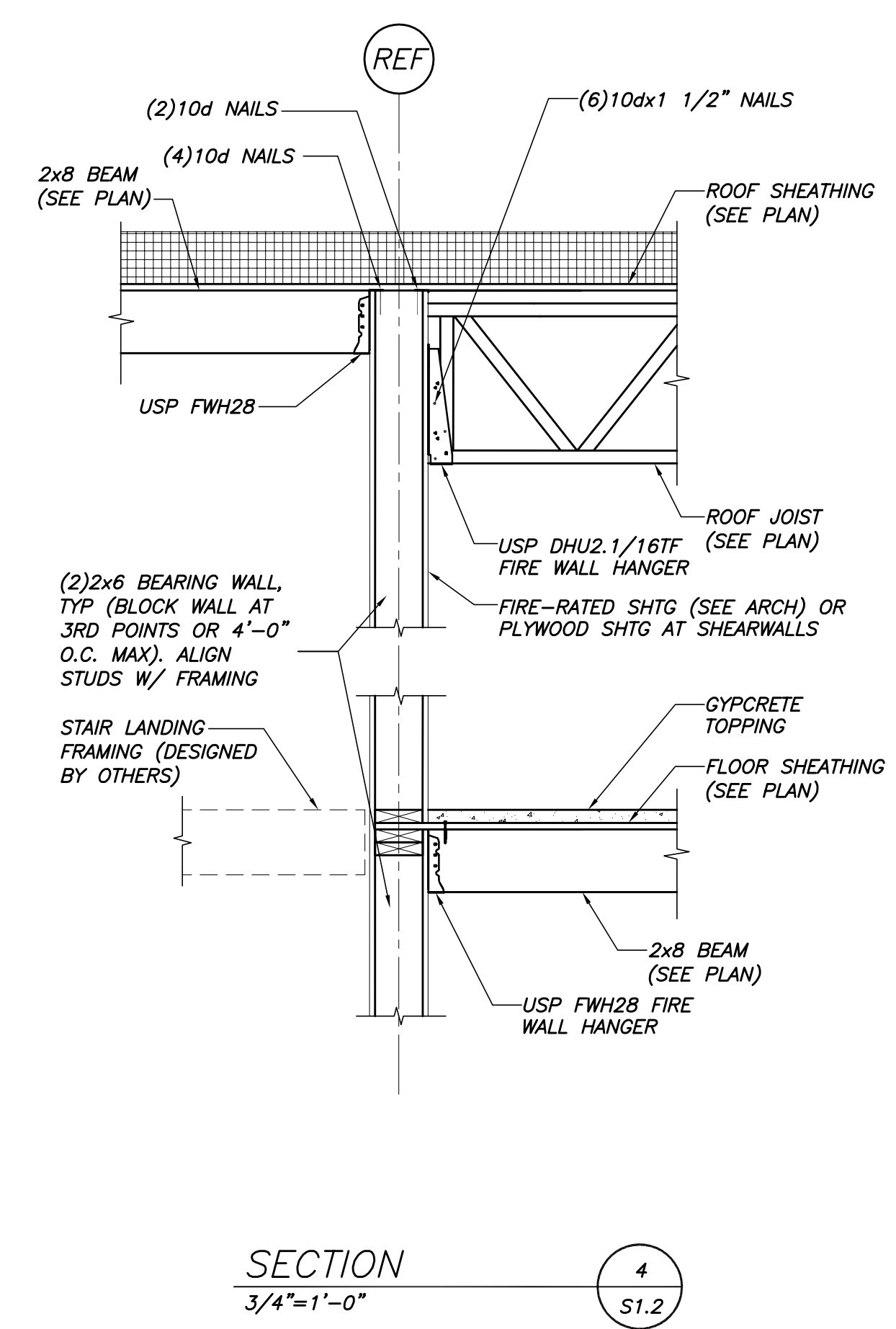


SHEARWALL SCHEDULE

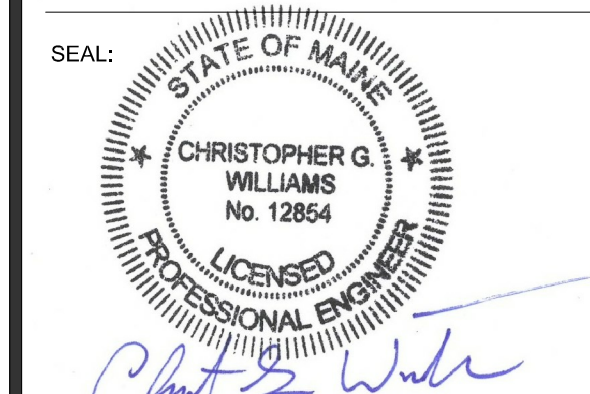
MARK	LEVEL	NAILING AT PANEL EDGES	SIMPSON HOLDOWN	END POST	SILL ANCHORS
S.W.-1	1st	8d@3" O.C.	HDU11-SDS2.5 W/7/8" GR 36 ANCHOR ROD	5 1/4x5 1/4 PSL	1/2" A307 @16" O.C.
	2nd	8d@6" O.C.		5 1/4x5 1/4 PSL	
S.W.-2	1st	8d@3" O.C.	HDU8-SDS2.5 W/7/8" GR 36 ANCHOR ROD	5 1/4x5 1/4 PSL	1/2" A307 @16" O.C.
	2nd	8d@3" O.C.		5 1/4x5 1/4 PSL	
S.W.-3	1st	8d@4" O.C.	NONE REQD	(2)2x6	1/2" A307 @16" O.C.

NOTES:

- ALL SHEARWALLS ARE SHEATHED W/1/2" THICK PLYWOOD MIN. AFTER SHEATHING IS APPLIED.
- ALL SHEARWALLS REQUIRE INSPECTION BY E.O.R. BEFORE AND AFTER SHEATHING IS APPLIED.
- WHERE END OF SHEARWALL TERMINATES AT GLU LAM COL, END POST MAY BECOME SINGLE 2x6 AND HOLDOWN MAY BE OMITTED. FASTEN 2x6 TO COL W/5/16" x4" RSS SCREWS @6" O.C.



PROJECT NAME:
PATRONS OXFORD OFFICES
97 TECHNOLOGY PARK DRIVE
PORTLAND, MAINE 04102
UNITED STATES OF AMERICA



THIS DRAWING IS THE PROPERTY OF SCOTT SIMONS ARCHITECTS (SSA) AND IS NOT TO BE COPIED OR REPRODUCED IN PART OR WHOLE. 2016 © SCOTT SIMONS ARCHITECTS, LLC

REVISION:

NO.	DATE	DESCRIPTION
1		
2		
3		
4		
5		
6		

DATE OF ISSUE: 14 JANUARY 2016
PROJECT NUMBER: 3365
STATUS: CONSTRUCTION DOCUMENTS

FRAMING SECTIONS & DETAILS

S3.5