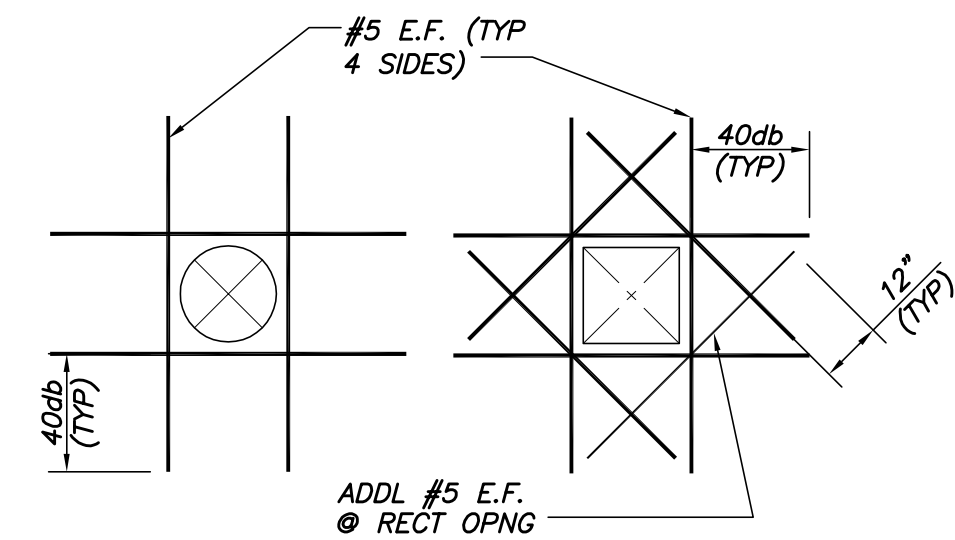


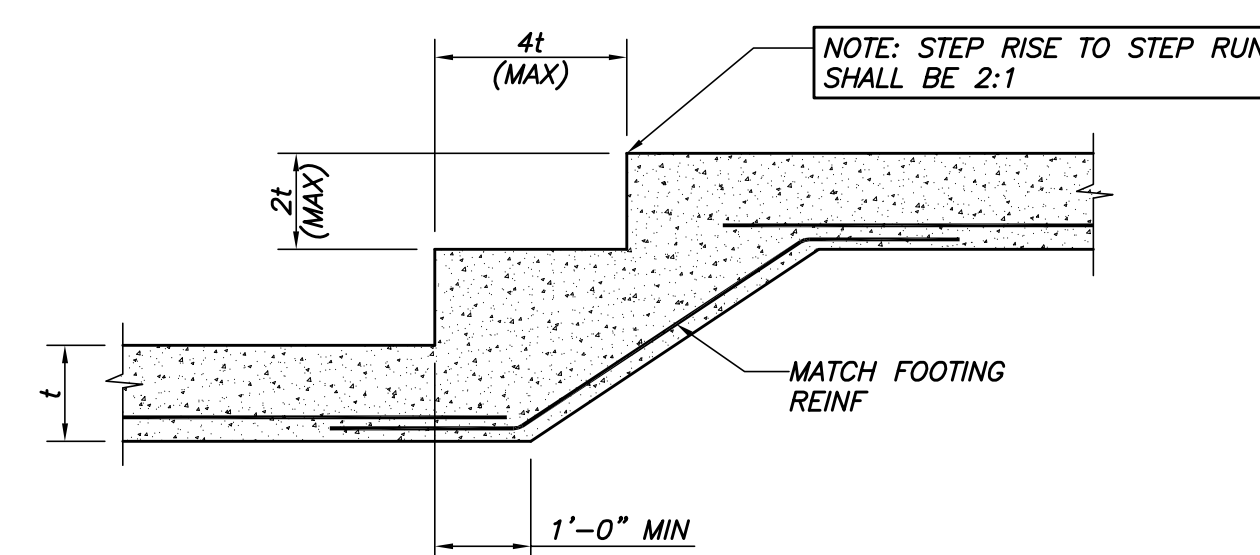
TYP WALL REINF DETAILS

N.T.S.



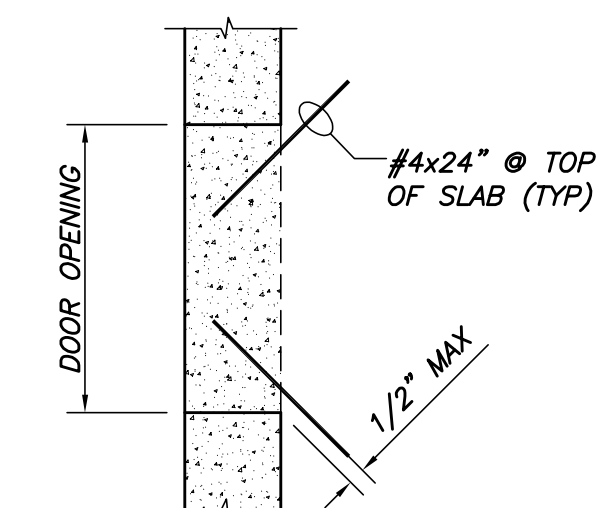
TYP OPENING IN WALL OR SLAB DETAIL

N.T.S.



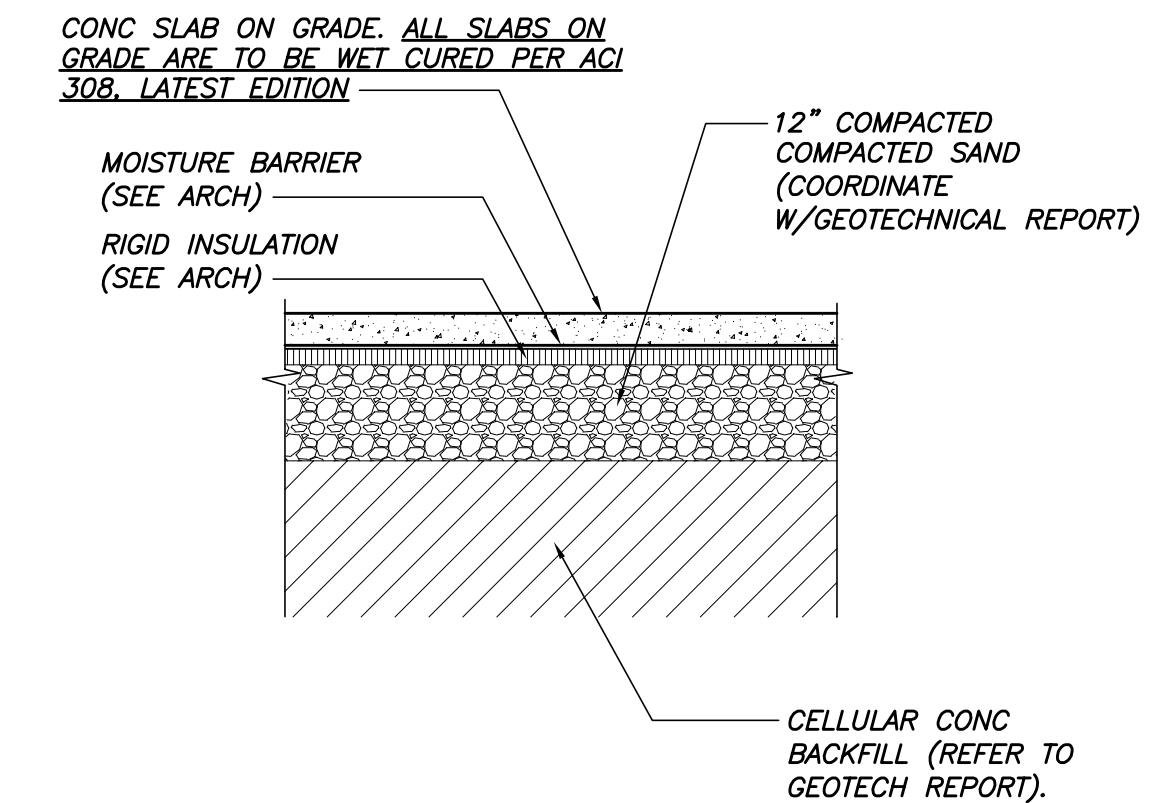
TYP STEP FOOTING DETAIL

N.T.S. t = FOOTING THICKNESS



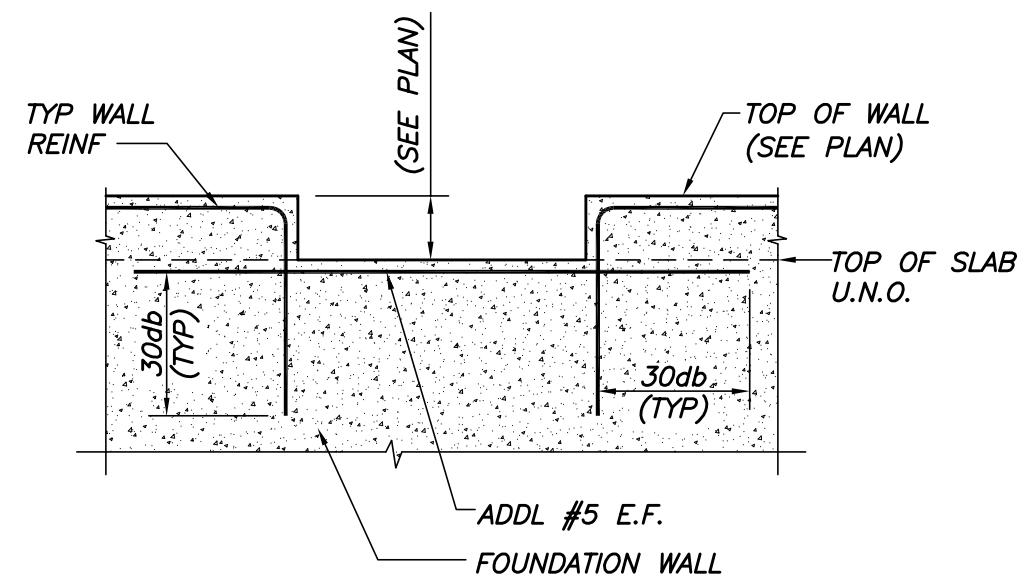
TYP SLAB CORNER DETAIL

N.T.S.



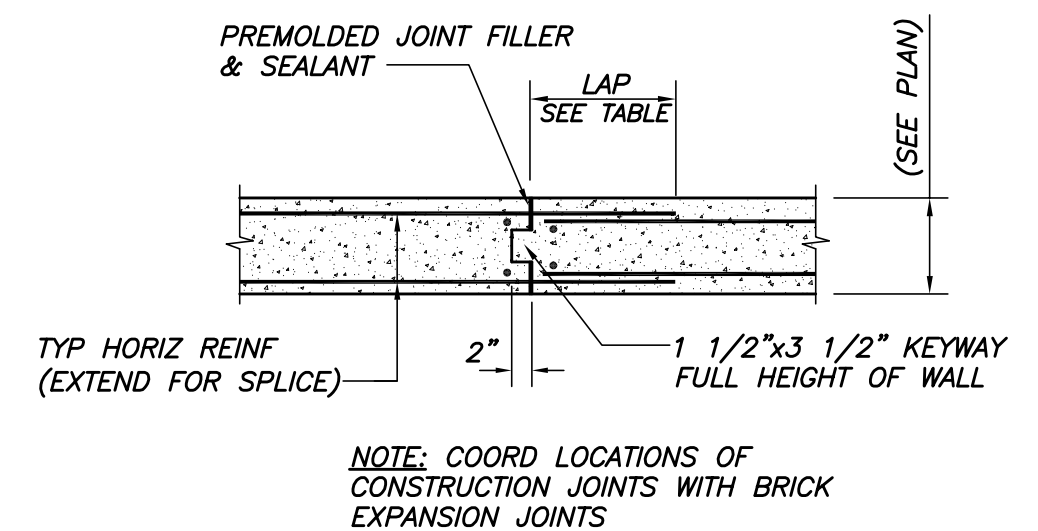
TYP SLAB DETAIL

N.T.S.



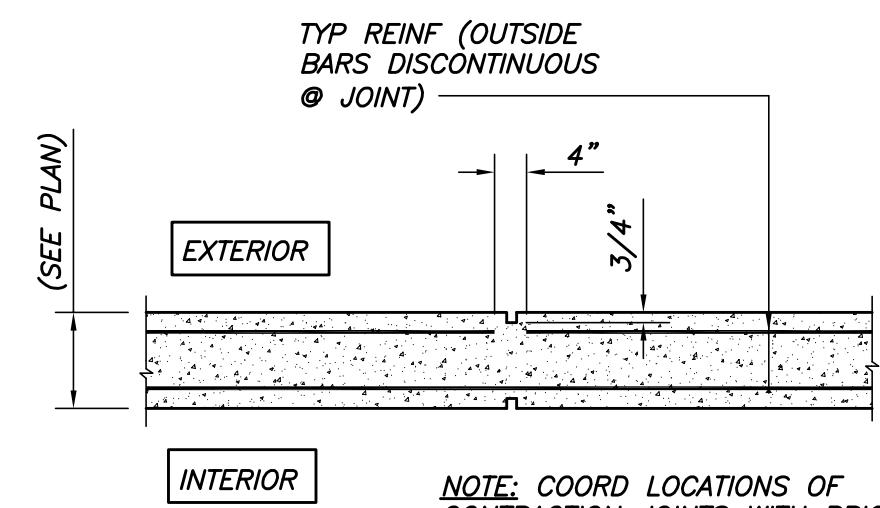
TYP WALL DEPRESSION DETAIL @ DOOR

N.T.S.



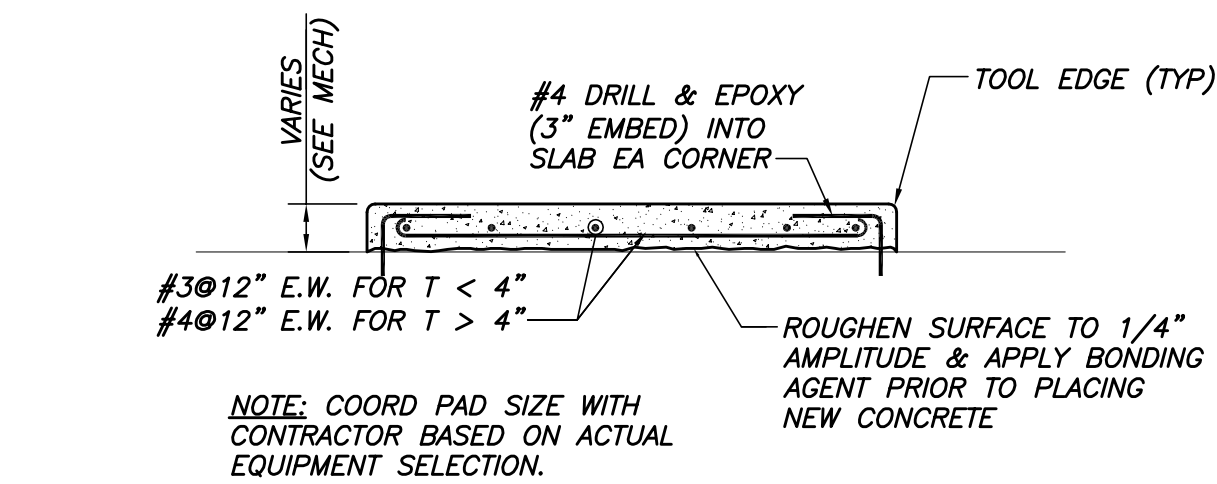
TYP CONSTRUCTION JOINT IN WALL

N.T.S.



TYP CONTRACTION JOINT IN WALL

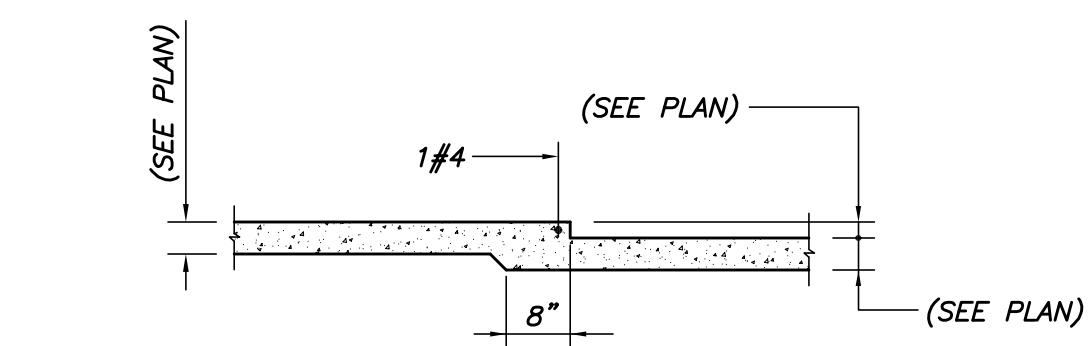
N.T.S.



TYP EQUIPMENT HOUSEKEEPING PAD DETAIL

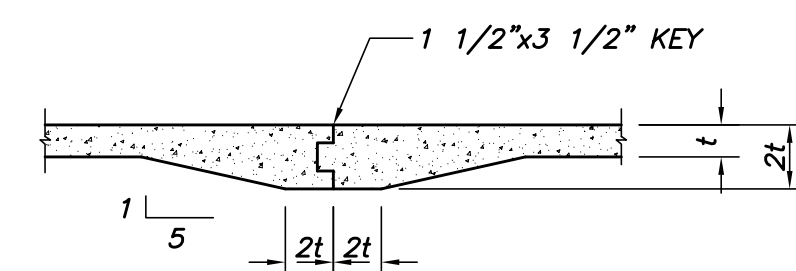
N.T.S.

BAR SIZE	LAP LENGTH		
	3,000 PSI	3,500 PSI	5,000 PSI
#3	30"	28"	24"
#4	36"	34"	32"
#5	48"	45"	42"
#6	56"	52"	48"
#7	81"	78"	72"
#8	93"	88"	80"



TYP SLAB ON GRADE DEPRESSION DETAIL

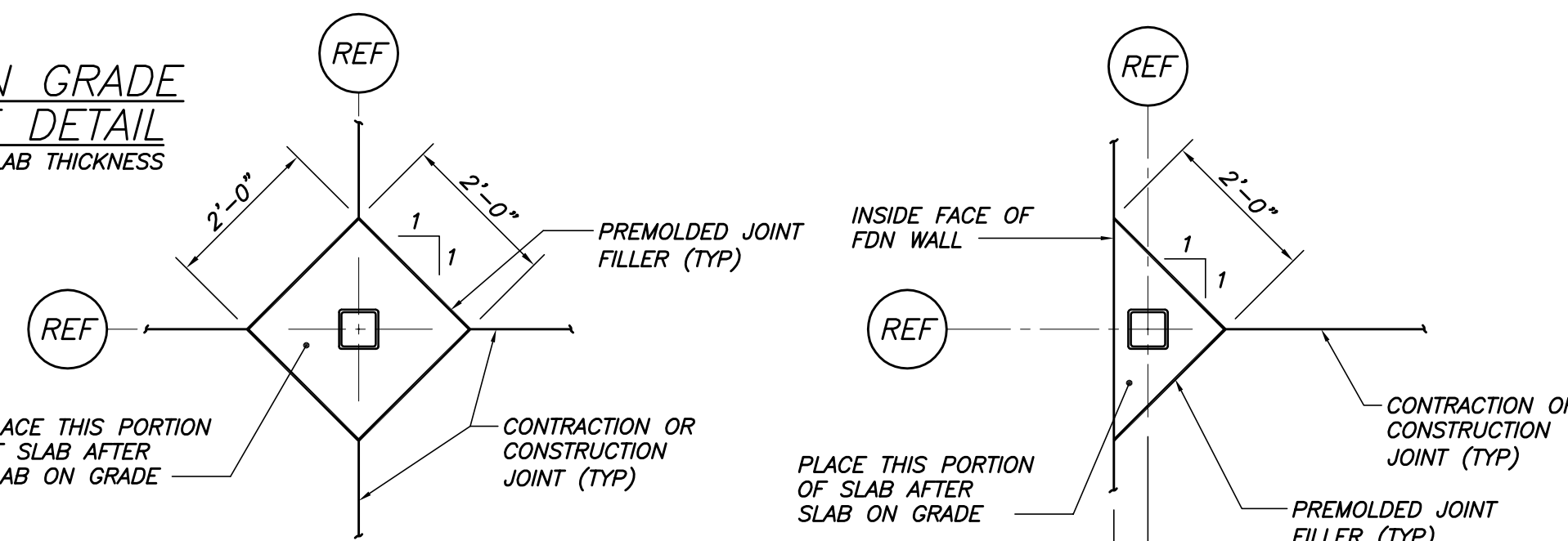
N.T.S.



TYP SLAB ON GRADE CONST JOINT DETAIL

N.T.S.

t = SLAB THICKNESS

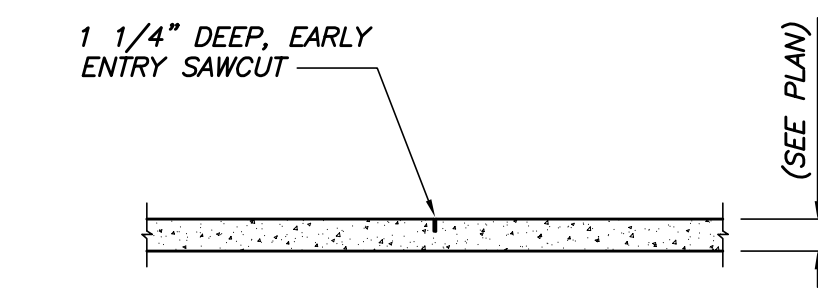


TYP INT COLUMN ISOLATION JOINT DETAIL

N.T.S.

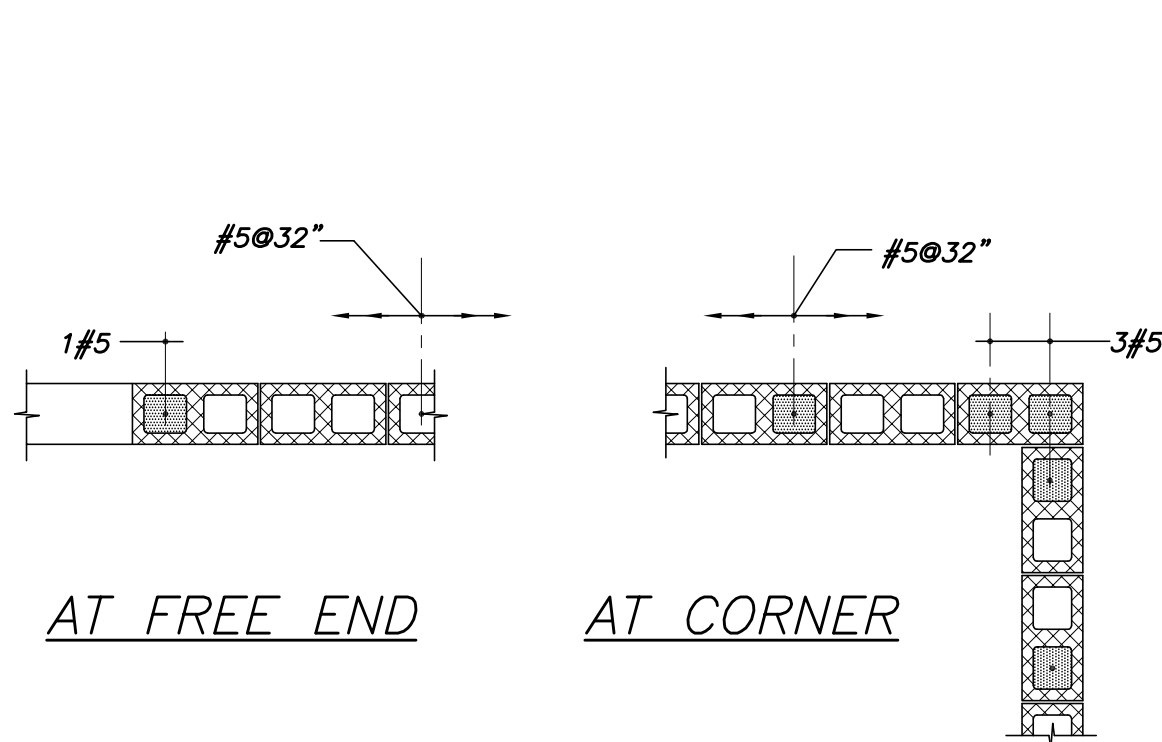
TYP EXT COLUMN ISOLATION JOINT DETAIL

N.T.S.



TYP SLAB ON GRADE CONTRACTION JOINT DETAIL

N.T.S.

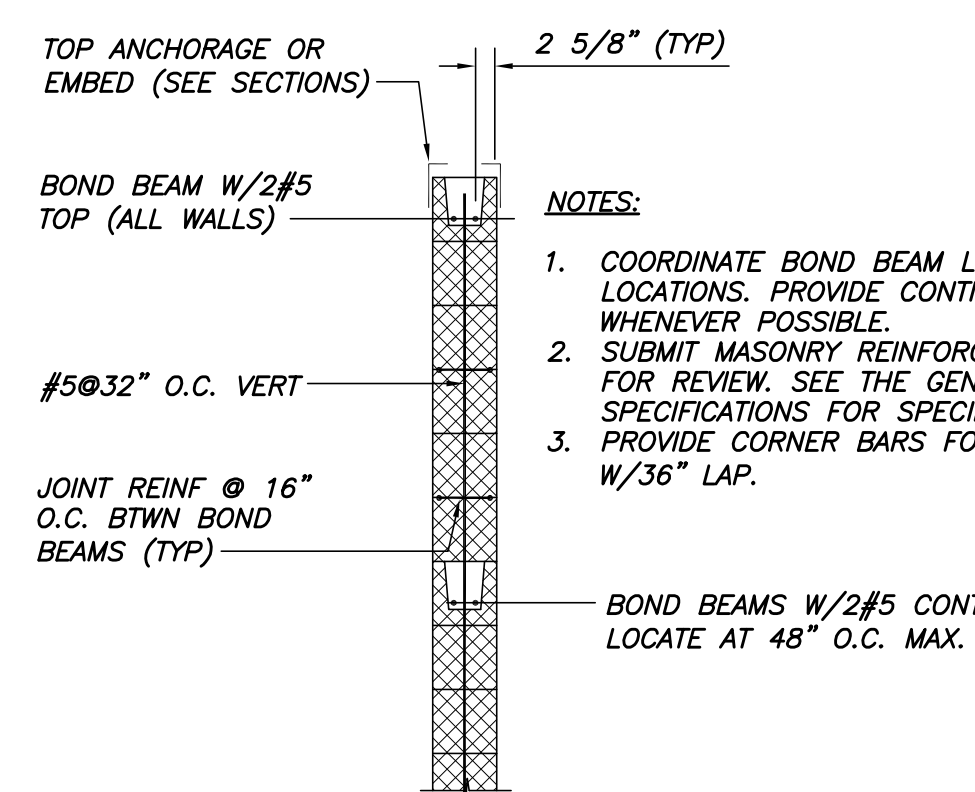


TYP PLAN DETAILS AT CMU WALLS

N.T.S.

NOTES:

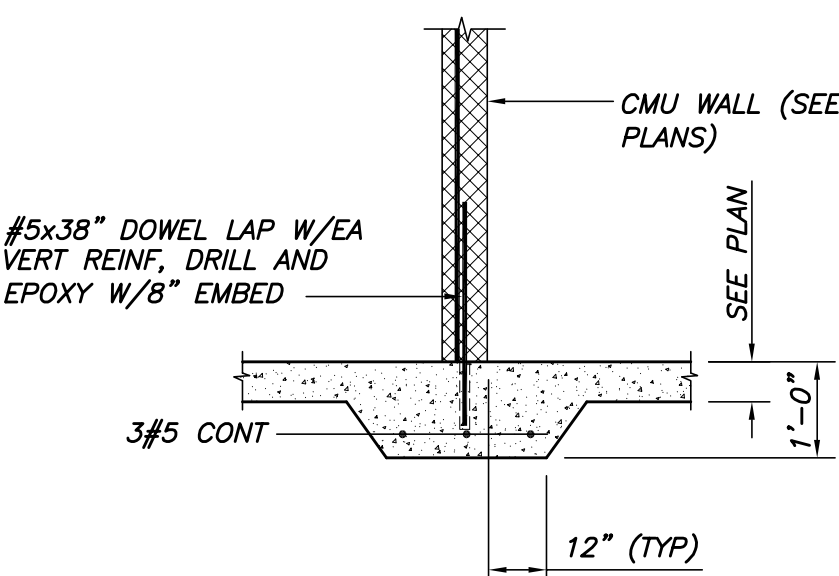
1. PROVIDE LADUR TIE HORIZ REINF @16" O.C., U.N.O.
2. PROVIDE BOND BEAMS W/2#5 CONT AT TOP OF ALL WALLS & AT 48" O.C. MAX.
3. ALL REINFORCED CELLS ARE TO BE FULLY GROUTED.
4. LAP BARS AT SPLICES MIN. 48 BAR DIAMETERS.
5. PROVIDE 2#5 MIN ABOVE & BELOW ALL OPENINGS. EXTEND 24" MIN BEYOND EDGE OF OPENING EA SIDE.
6. ALL CMU WALL REINF SHALL BE REVIEWED BY THE STRUCTURAL ENGINEER OR THEIR DESIGNATED REPRESENTATIVE PRIOR TO GROUTING.



CMU WALL SECTION

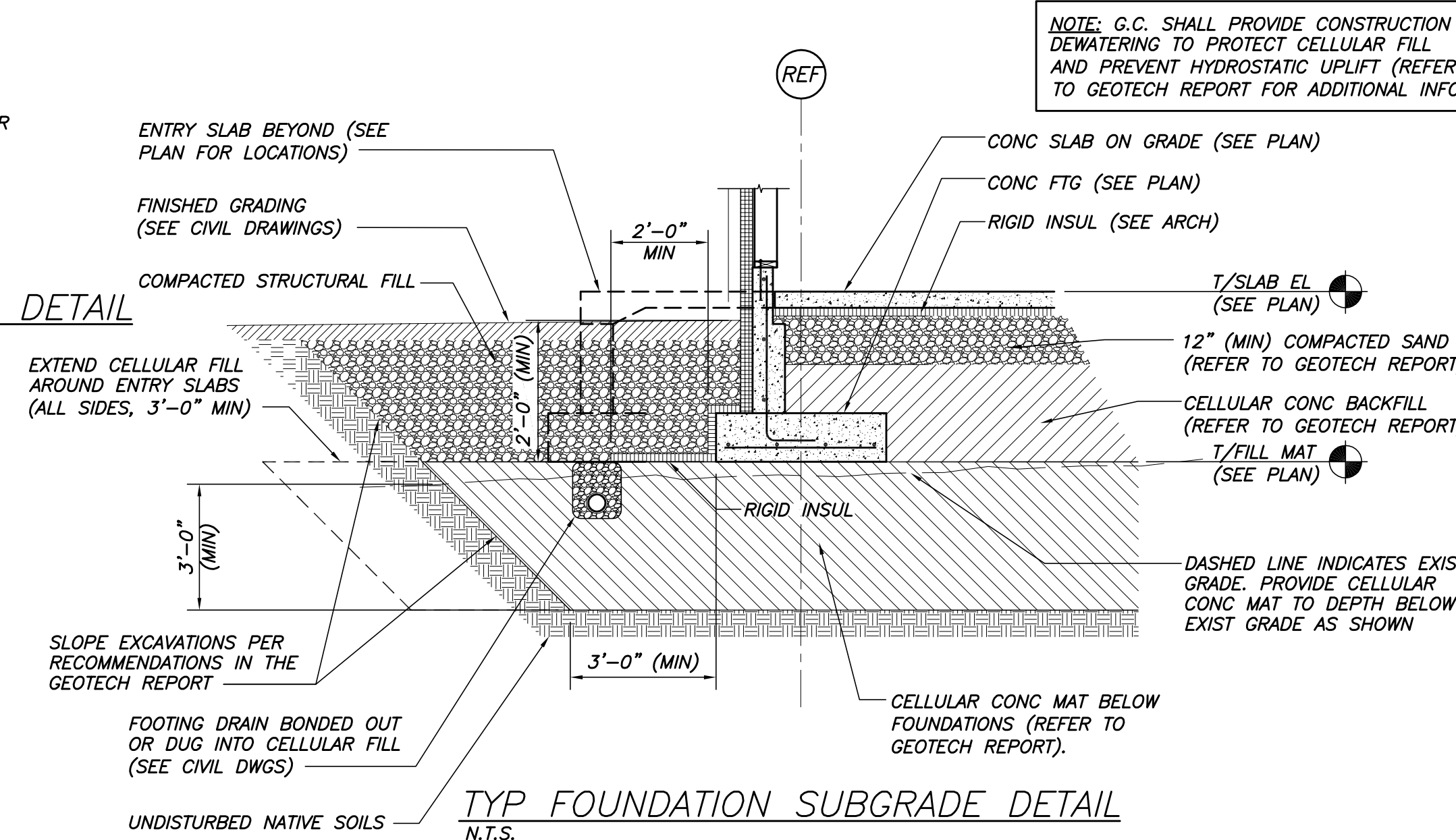
N.T.S.

CMU LINTEL SCHEDULE				
MARK	CLEAR SPAN	WIDTH	DEPTH	REINF
L1	< 6'-0"	6"	8"	2#5 CONT
L2	6'-0" - 8'-0"	6"	16"	2#5 CONT



TYP THICKENED SLAB DETAIL AT CMU WALL & SHEARWALL U.N.O.

N.T.S.



TYP FOUNDATION SUBGRADE DETAIL

N.T.S.

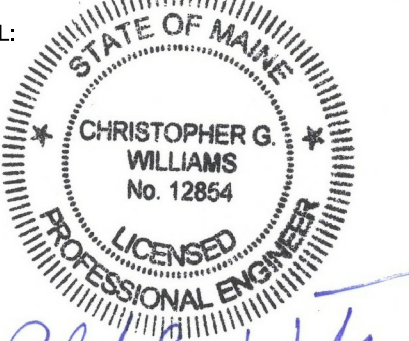
NOTE: ALL EXCAVATIONS AND FILLS SHALL MEET THE REQUIREMENTS OF THE GEOTECHNICAL REPORT. CONSULT THE REPORT FOR ALL ADDL INFORMATION.

PROJECT NAME:

PATRONS OXFORD OFFICES

97 TECHNOLOGY PARK DRIVE  
PORTLAND, MAINE 04102  
UNITED STATES OF AMERICA

SEAL:



THIS DRAWING IS THE PROPERTY OF SCOTT SIMONS ARCHITECTS (SSA) AND IS NOT TO BE COPIED OR REPRODUCED IN PART OR WHOLE. 2016 © SCOTT SIMONS ARCHITECTS, LLC

REVISION:

NO.	DATE
1	DATE
2	DATE
3	DATE
4	DATE
5	DATE
6	DATE

DATE OF ISSUE: 14 JANUARY 2016

PROJECT NUMBER: 3365

STATUS: CONSTRUCTION DOCUMENTS

TYP CONCRETE SECTIONS & DETAILS

S2.1