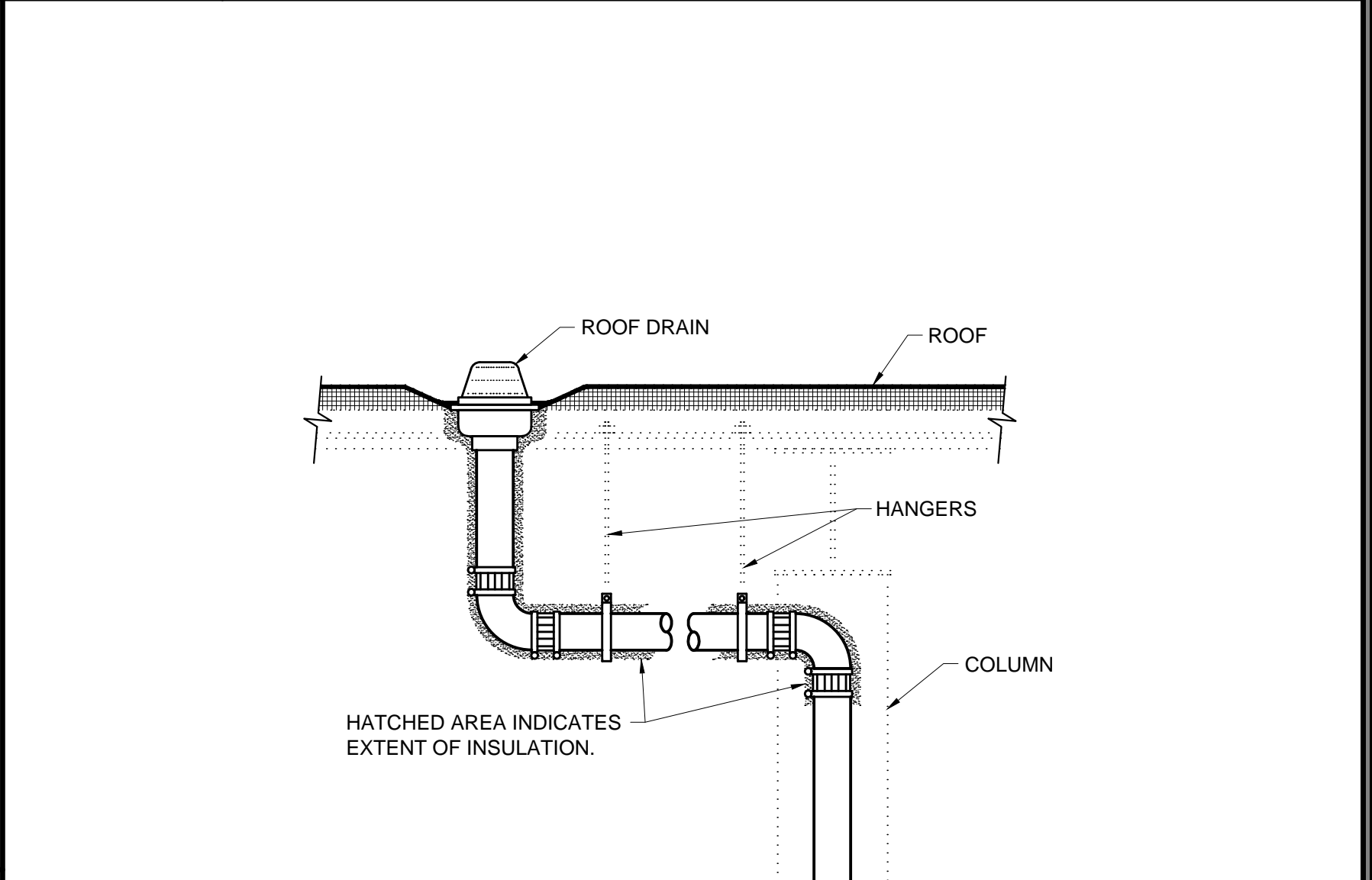
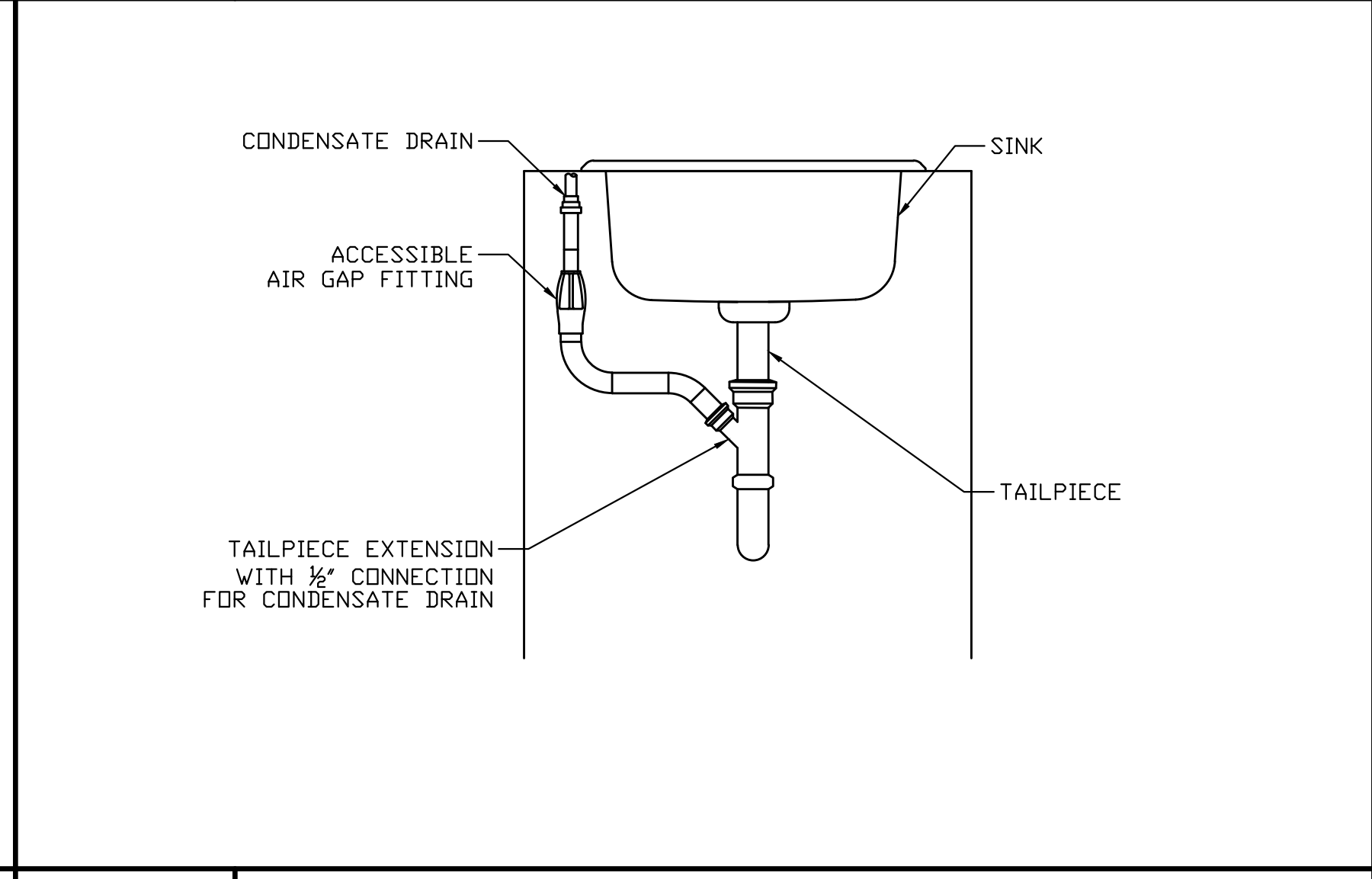
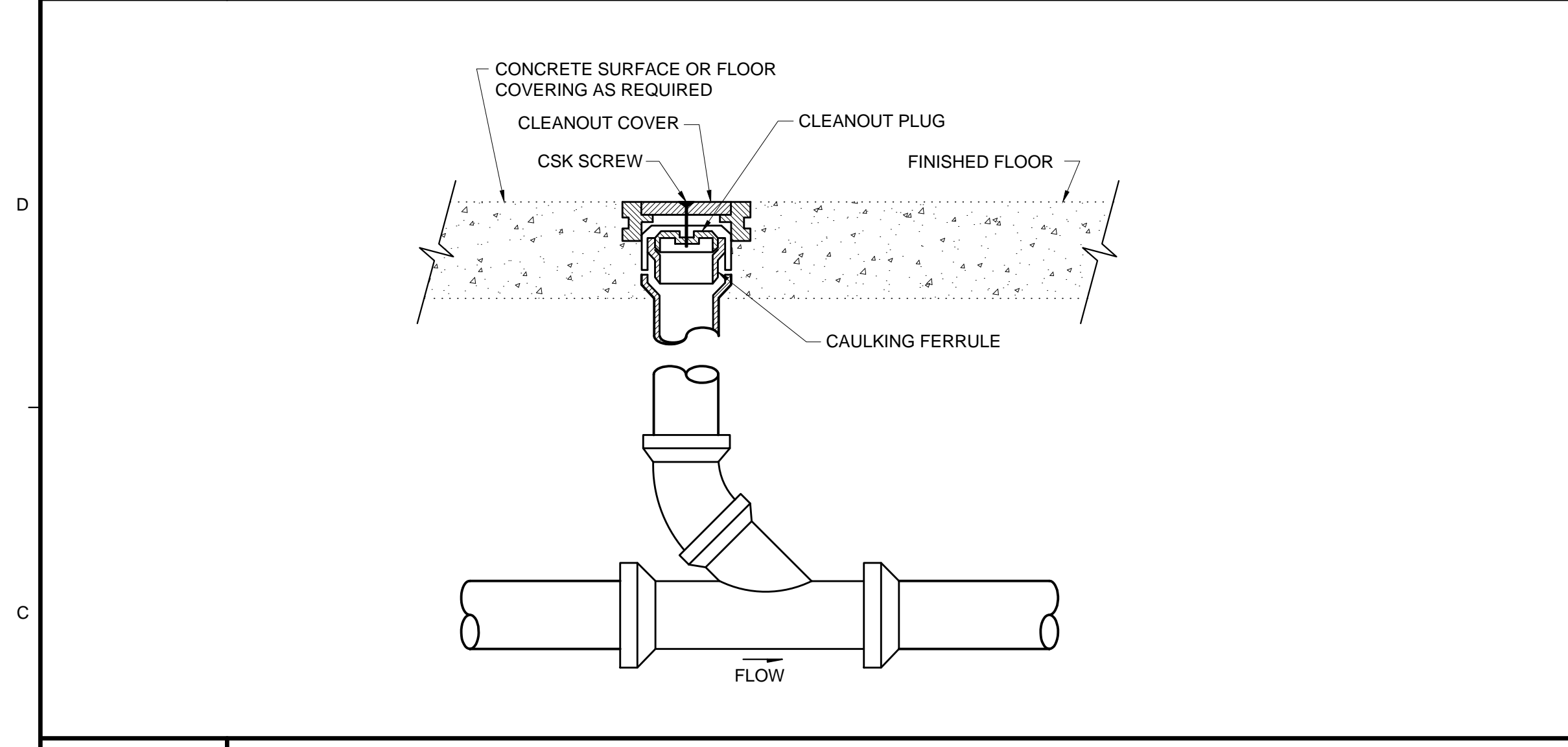


E1 DETAIL - ELECTRONIC TRAP PRIMER TP-1
1/8"=1'-0"

E5 DETAIL - WATER SAVER TRAP PRIMER TP-2
NO SCALE

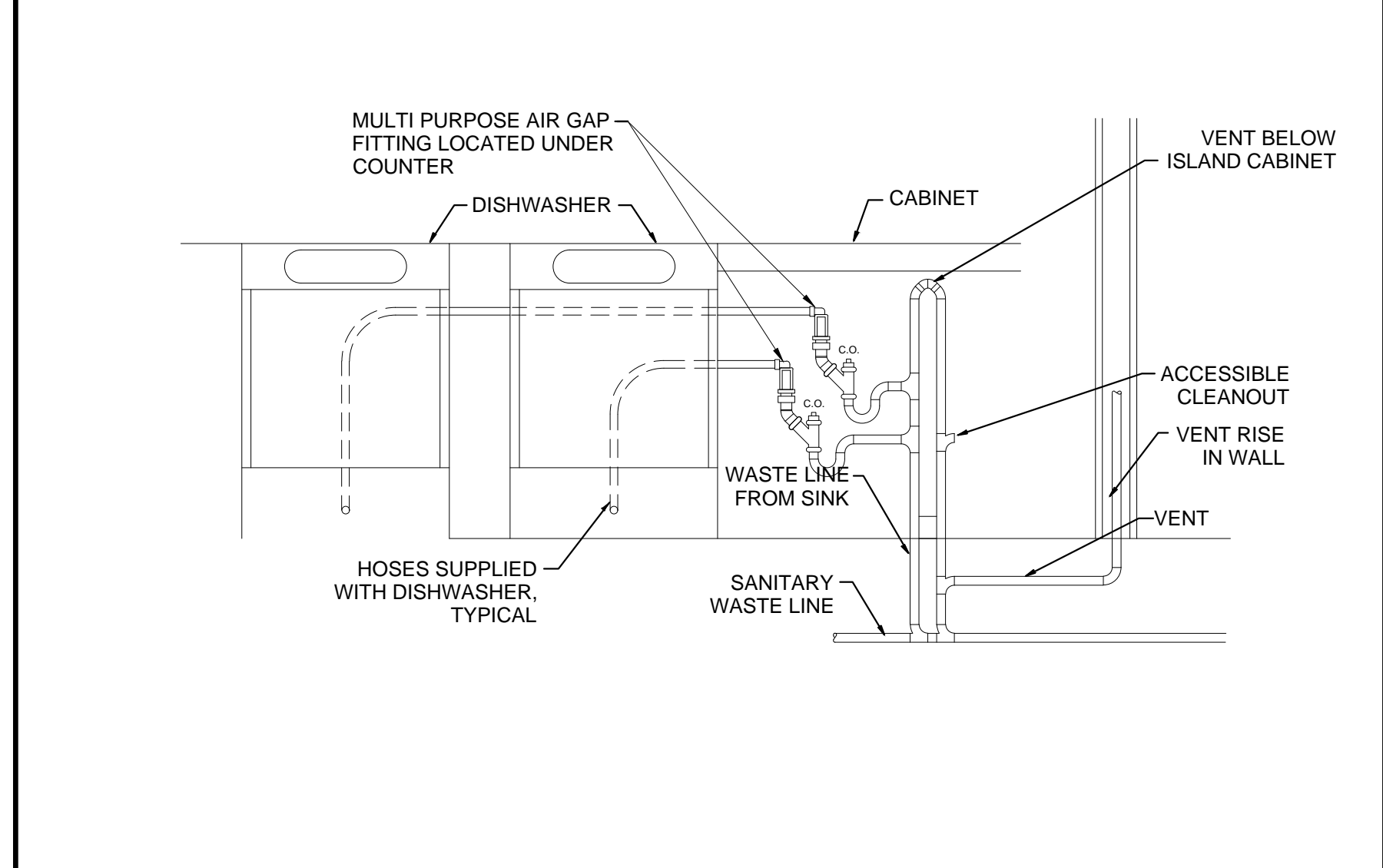
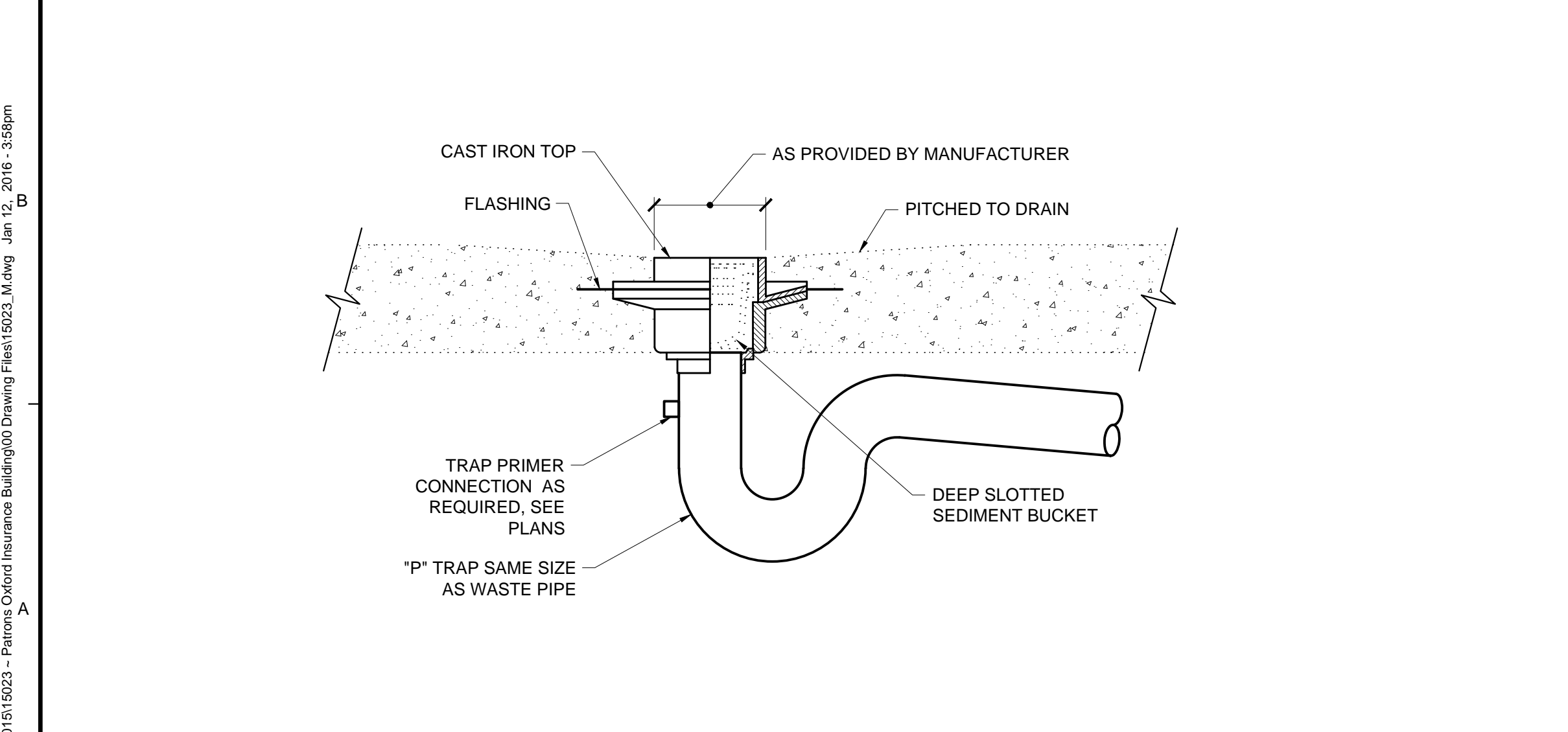
E8 DETAIL - AUTOMATIC TRAP PRIMER TP-1
NO SCALE



C1 DETAIL - FLOOR CLEANOUT
1/8"=1'-0"

C5 DETAIL - CONDENSATE DRAIN AIR GAP CONNECTION
NO SCALE

A8 DETAIL - RAINWATER PIPING WITH CLEANOUT
NO SCALE

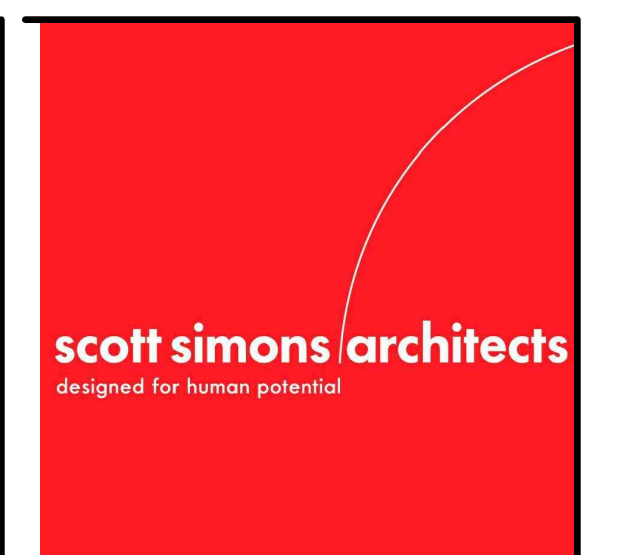


A8 DETAIL - RAINWATER PIPING WITH CLEANOUT
NO SCALE

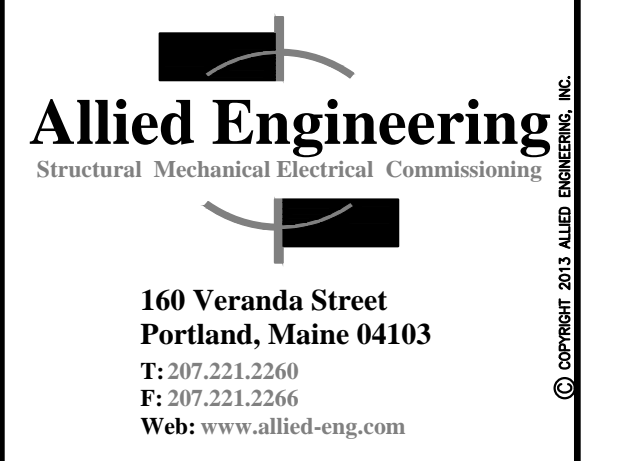
A1 DETAIL - FLOOR DRAIN
1/8"=1'-0"

A5 DETAIL - ISLAND DISHWASHER DETAIL
NO SCALE

A8 DETAIL - RAINWATER PIPING WITH CLEANOUT
NO SCALE

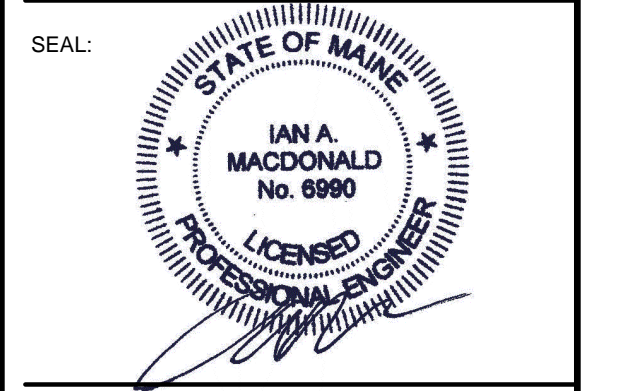


Scott Simons Architects
75 York Street, Portland, Maine 04101
www.simonsarchitects.com
207.772.4656



Allied Project No: 15-023
Cad File: 14023_M.dwg

PROJECT NAME:
PATRONS OXFORD OFFICES
PORTLAND TECHNOLOGY PARK
RAND ROAD, PORTLAND, ME



THIS DRAWING IS THE PROPERTY OF SCOTT SIMONS ARCHITECTS (SSA) AND IS NOT TO BE COPIED OR REPRODUCED IN PART OR WHOLE.
©2015 © SCOTT SIMONS ARCHITECTS, LLC

REVISION:

1	DATE
2	DATE
3	DATE
4	DATE
5	DATE
6	DATE

DATE OF ISSUE: 14 January, 2016
PROJECT NUMBER: 2105-0100 Patrons Oxford
STATUS: Construction Documents

PLUMBING DETAILS

PL-501

©2015 © Scott Simons Architects, LLC

N:\Projects\2015\15023 - Patrons Oxford Offices Building\00 Drawing\15023_M.dwg Jan 13, 2016 - 3:58pm