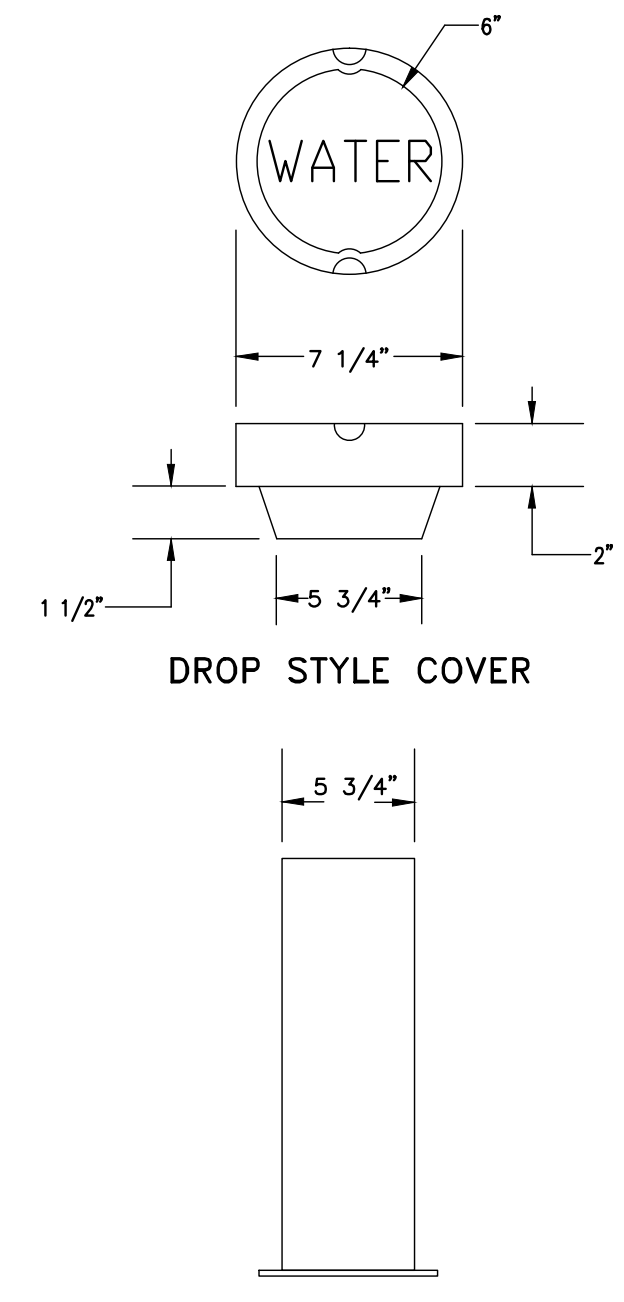
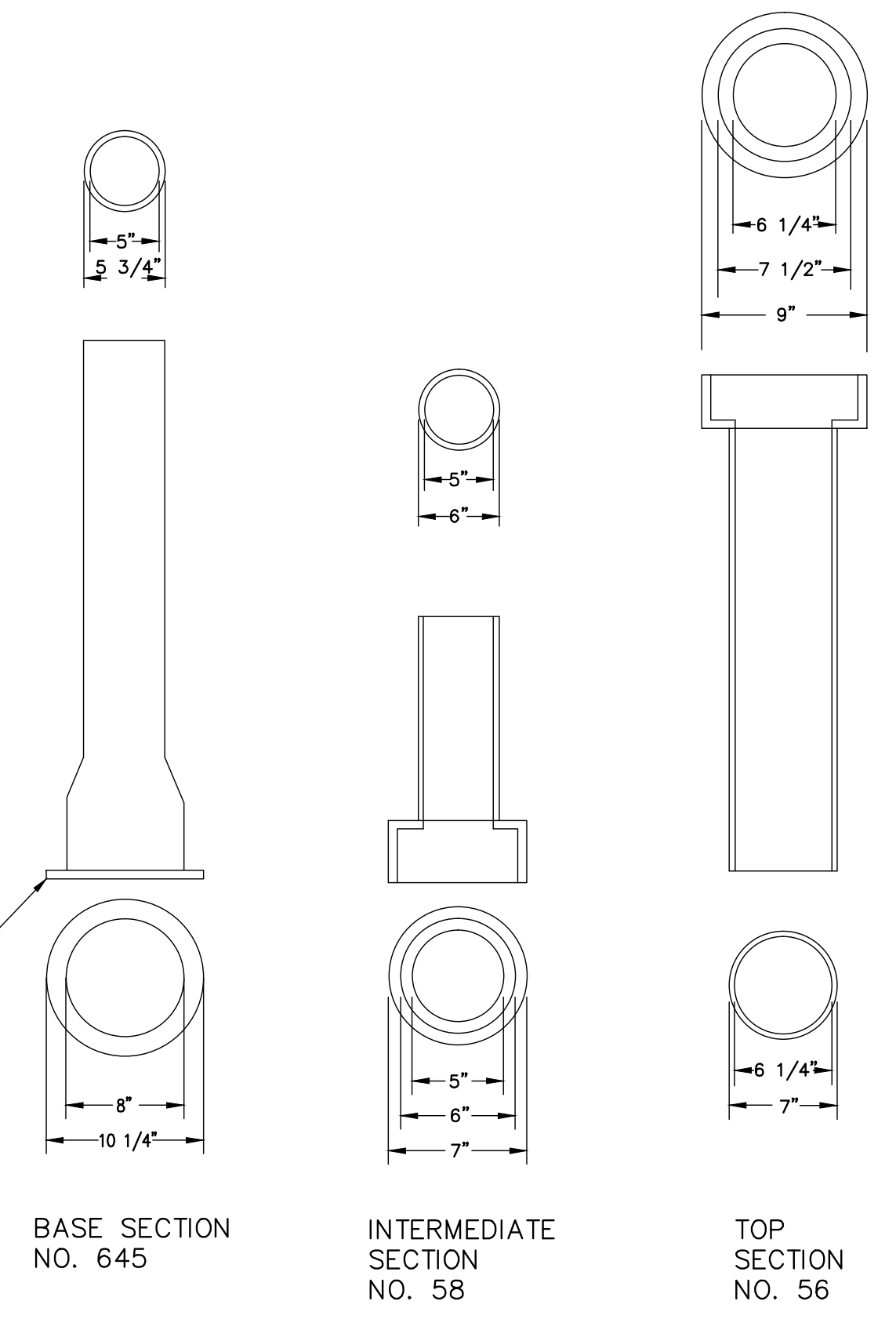


NOTE : ANY EXTENSION OF SERVICE BOX REQUIRES:
 1.) 1" FEMALE IRON PIPE COUPLING 2) 1" THREADED PIPE
 (THIS IS TO BE A NON-WELDED, TWO PIECE ARRANGEMENT. SLIP ON ADAPTERS ARE NOT PERMISSIBLE.)



(NUMBERS ARE FOR 5 1/4" BUFFALO VALVE BOXES) (BASE SECTION MAY BE USED AS INTERMEDIATE SECTION)

PROJECT NAME:
PATRONS OXFORD OFFICES
 97 TECHNOLOGY PARK DRIVE
 PORTLAND, MAINE 04102
 UNITED STATES OF AMERICA

SEAL:

 01/14/2016

THIS DRAWING IS THE PROPERTY OF SCOTT SIMONS ARCHITECTS (SSA) AND IS NOT TO BE COPIED OR REPRODUCED IN PART OR WHOLE
 2016 © SCOTT SIMONS ARCHITECTS, LLC

REVISION:

1	
2	
3	
4	
5	
6	

DATE OF ISSUE: 14 JANUARY 2016
 PROJECT NUMBER: 2105-0100 PATRONS OXFORD
 STATUS: CONSTRUCTION DOCUMENTS

CIVIL DETAILS 5