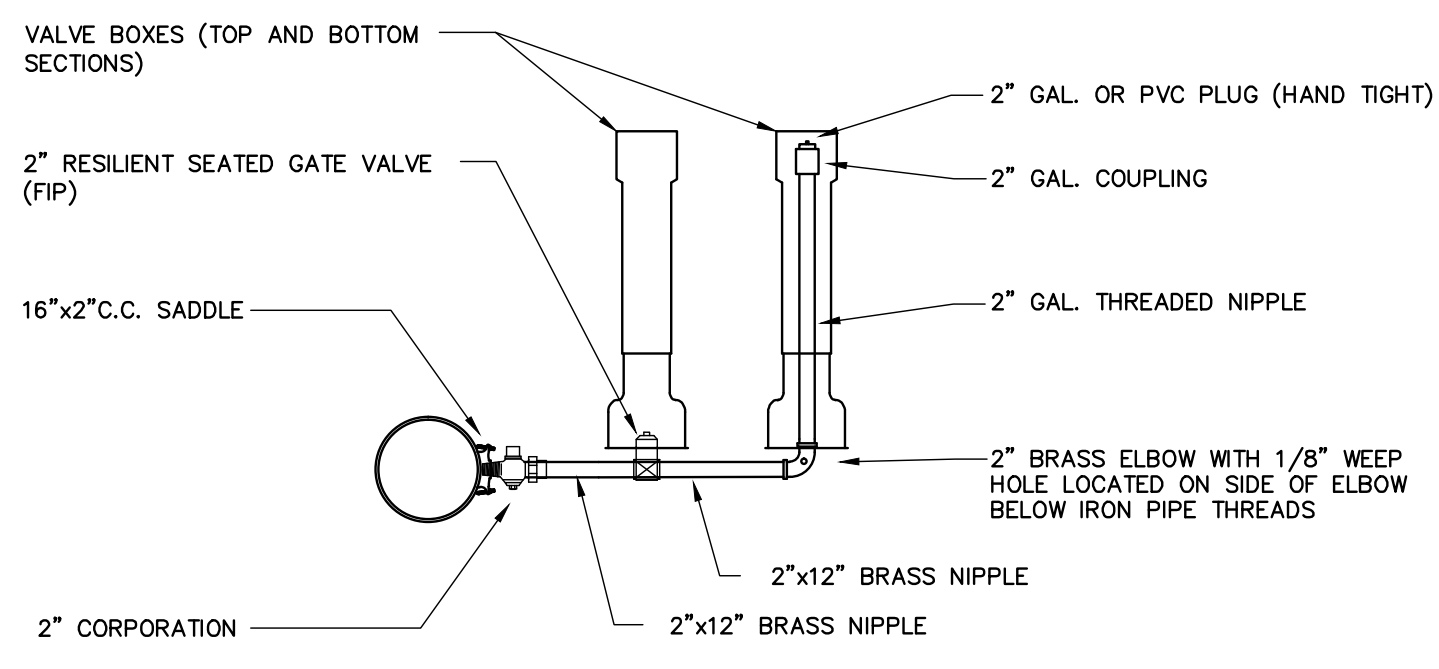


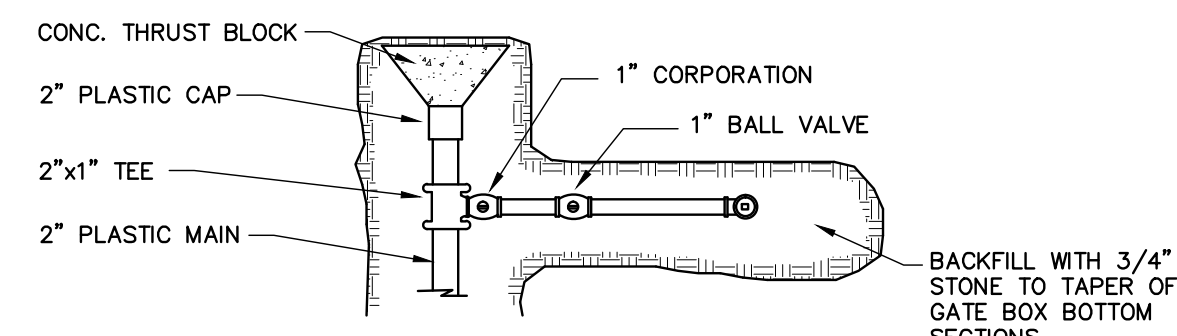
TOP VIEW



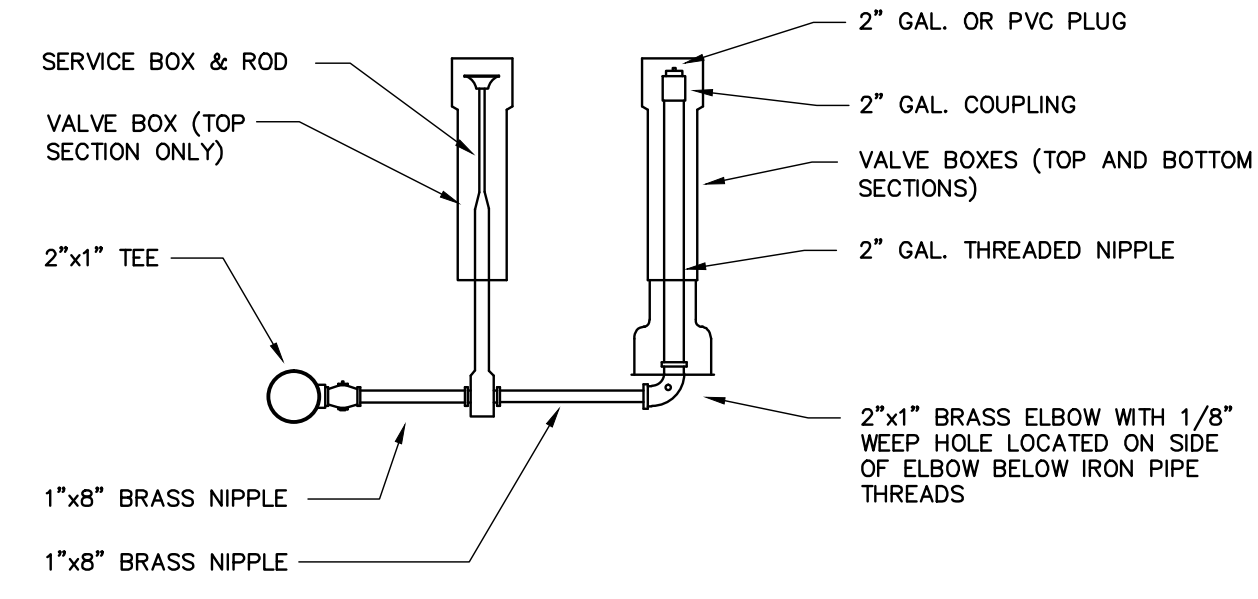
SIDE VIEW

**SIDE-ARM BLOW-OFF  
4" & LARGER MAINS**

N.T.S.



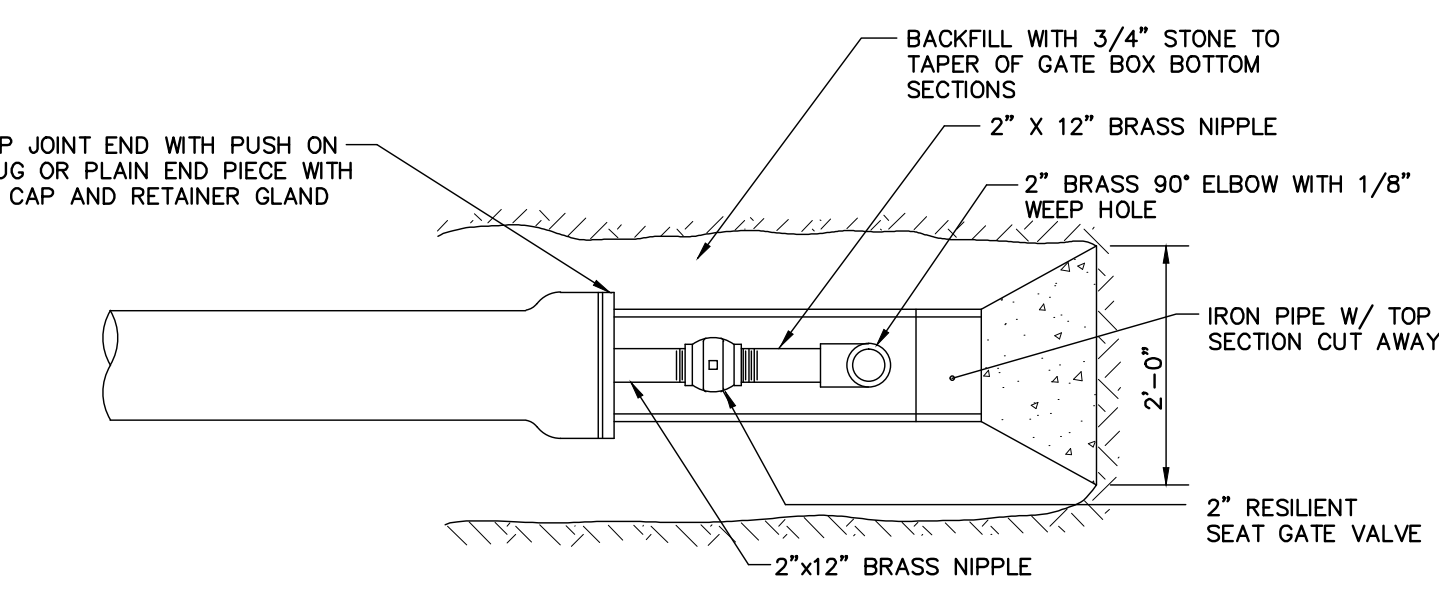
TOP VIEW



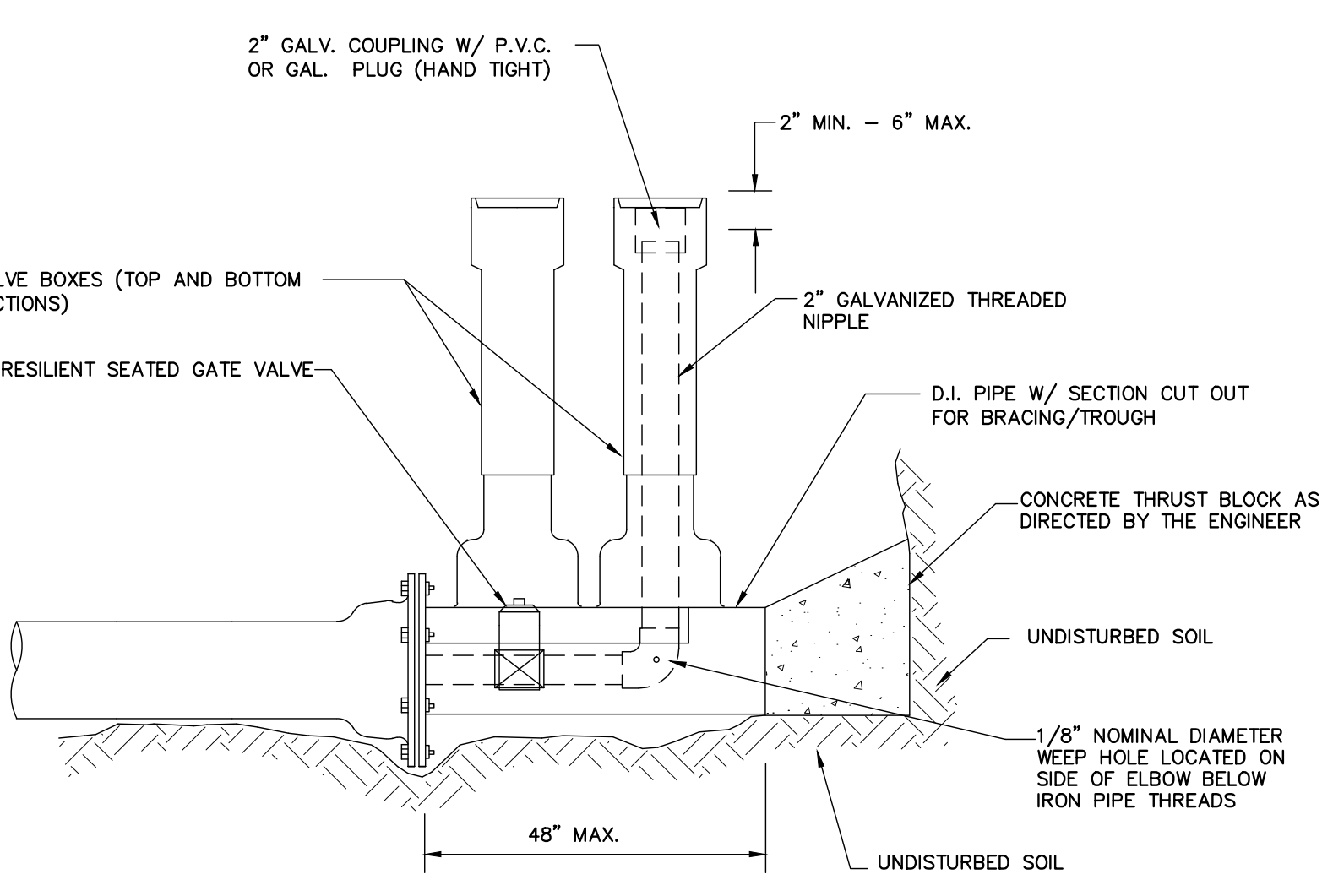
SIDE VIEW

**SIDE-ARM BLOW-OFF  
2" MAIN**

N.T.S.

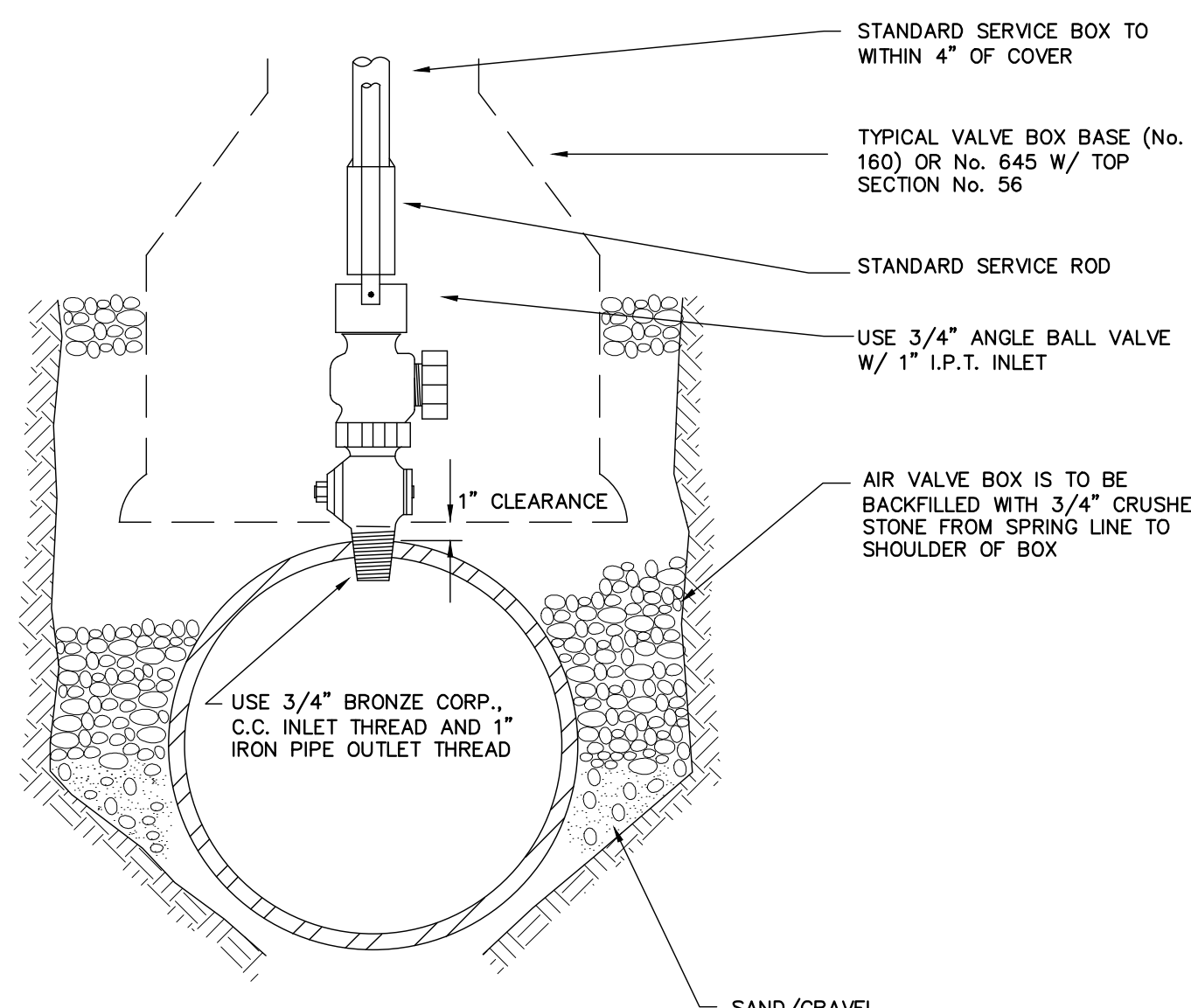


TOP VIEW



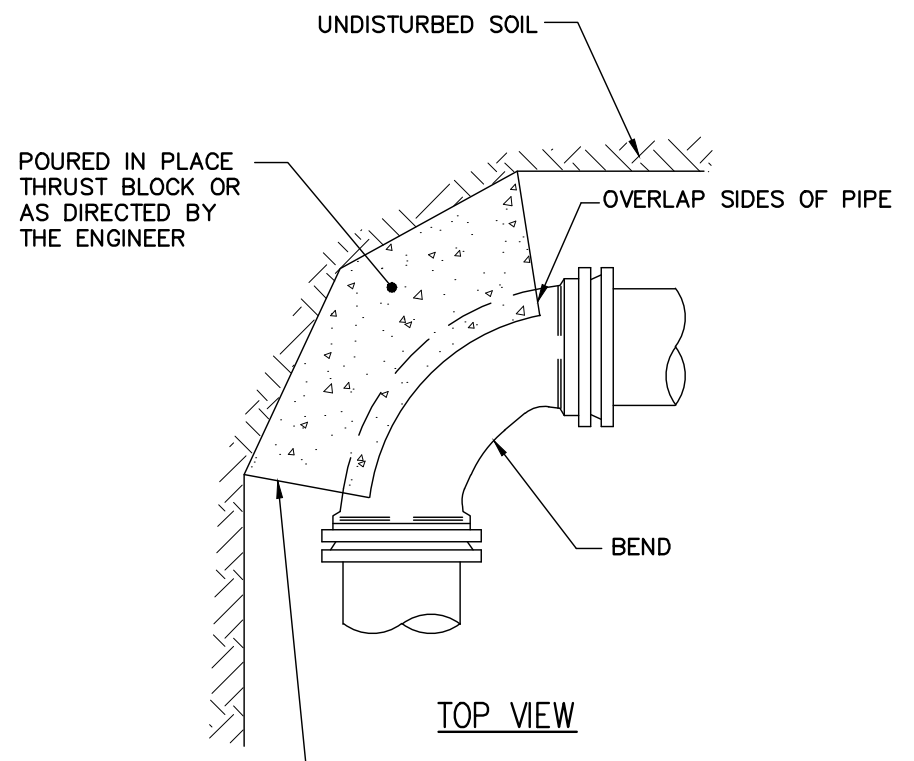
**STANDARD 2" BLOW OFF**

N.T.S.



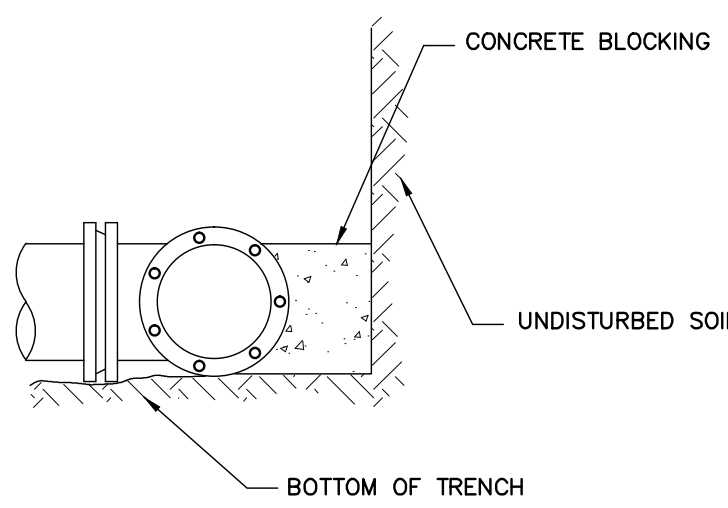
**TYPICAL AIR VALVE (1")**

N.T.S.

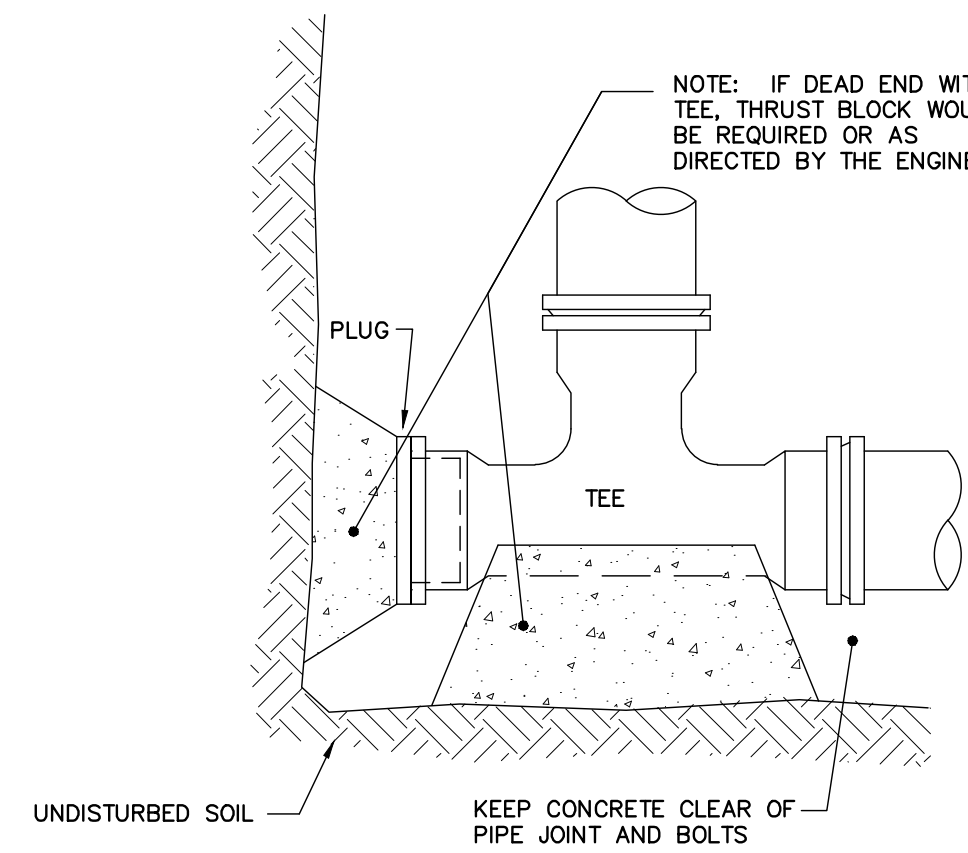


**STANDARD BEND BLOCKING**

N.T.S.

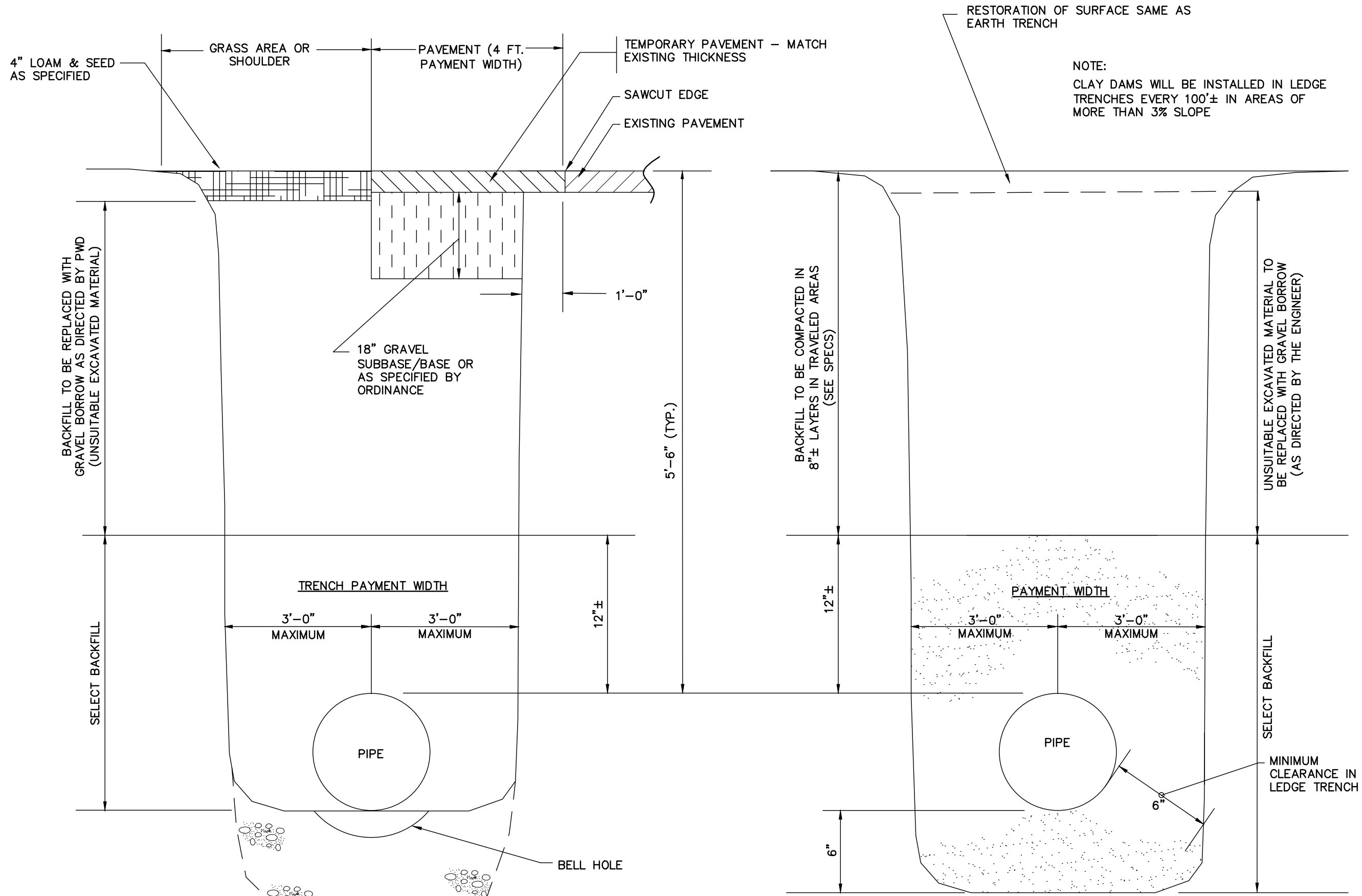


END VIEW



**STANDARD TEE BLOCKING**

N.T.S.



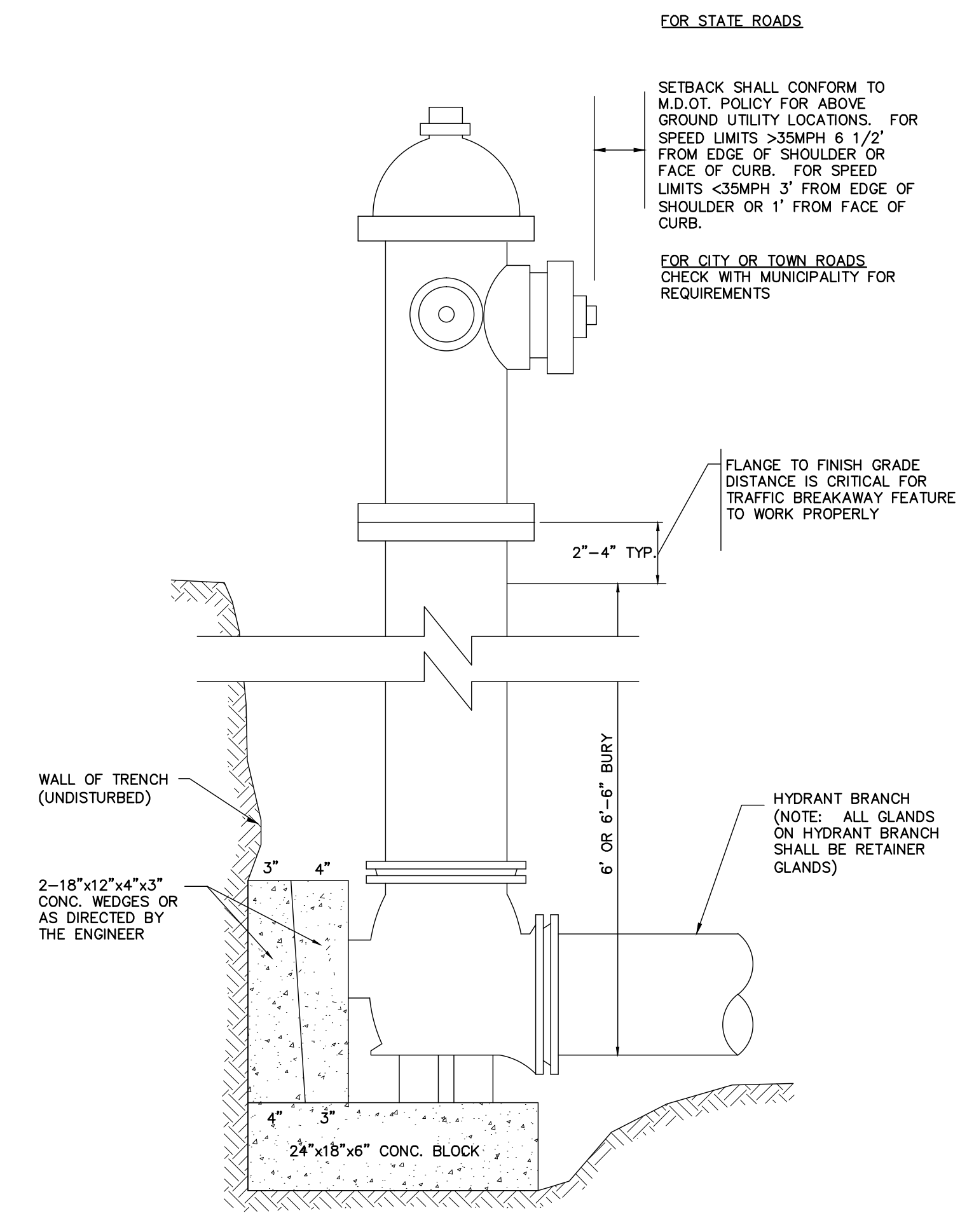
**SECTION THRU EARTH TRENCH**

N.T.S.

**SECTION THRU LEDGE TRENCH**

N.T.S.

**NOTE:**  
WATER DETAILS FROM PORTLAND WATER DISTRICT ASSET MANAGEMENT & PLANNING DEPT. \*STANDARD WATER DETAILS WATER MAIN REPLACEMENTS PORTLAND - SOUTH PORTLAND\*



**TYPICAL HYDRANT INSTALLATION DETAIL**

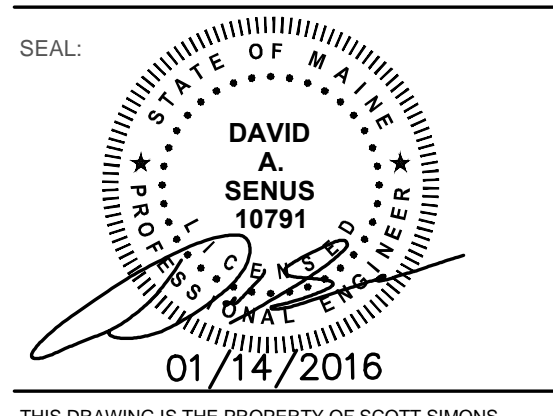
N.T.S.



75 York Street  
Portland, Maine 04101  
simonsarchitects.com  
207.772.4656



PROJECT NAME:  
**PATRONS OXFORD OFFICES**  
97 TECHNOLOGY PARK DRIVE  
PORTLAND, MAINE 04102  
UNITED STATES OF AMERICA



THIS DRAWING IS THE PROPERTY OF SCOTT SIMONS ARCHITECTS (SSA) AND IS NOT TO BE COPIED OR REPRODUCED IN PART OR WHOLE. 2016 © SCOTT SIMONS ARCHITECTS, LLC

REVISION:

1	
2	
3	
4	
5	
6	

DATE OF ISSUE: 14 JANUARY 2016  
PROJECT NUMBER: 2105-0100 PATRONS OXFORD  
STATUS: CONSTRUCTION DOCUMENTS

**CIVIL DETAILS 4**

**C-09**

E:\Projects\229001\_SSA - PTP Lot 1 Development\CIVIL\229001-C-09.dwg, Jan 14, 2016 - 11:43pm