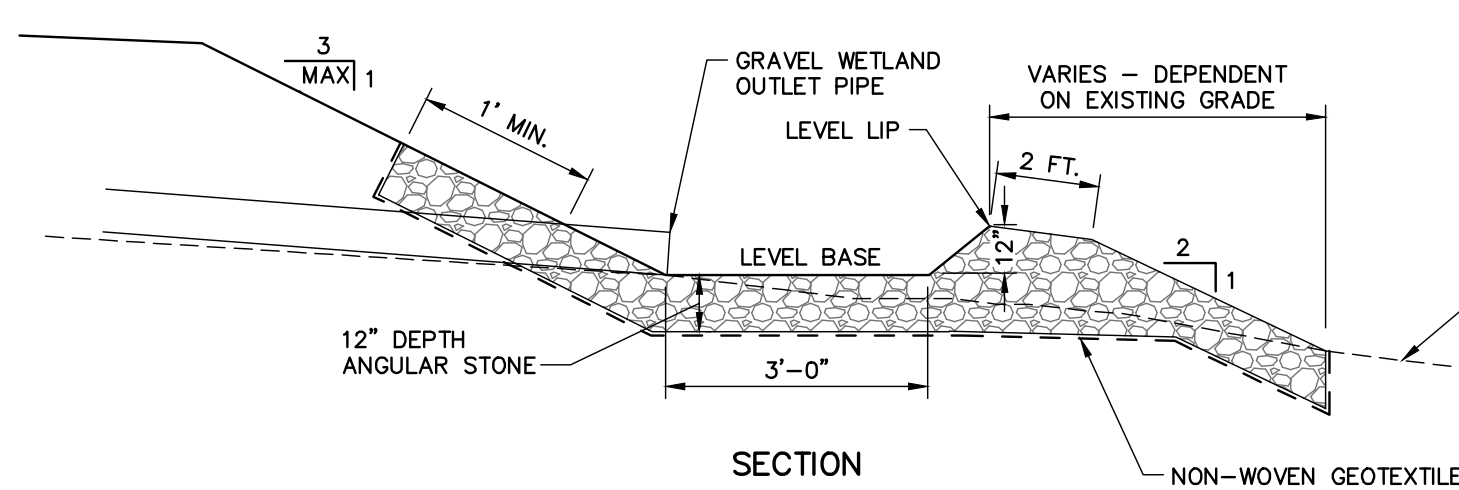
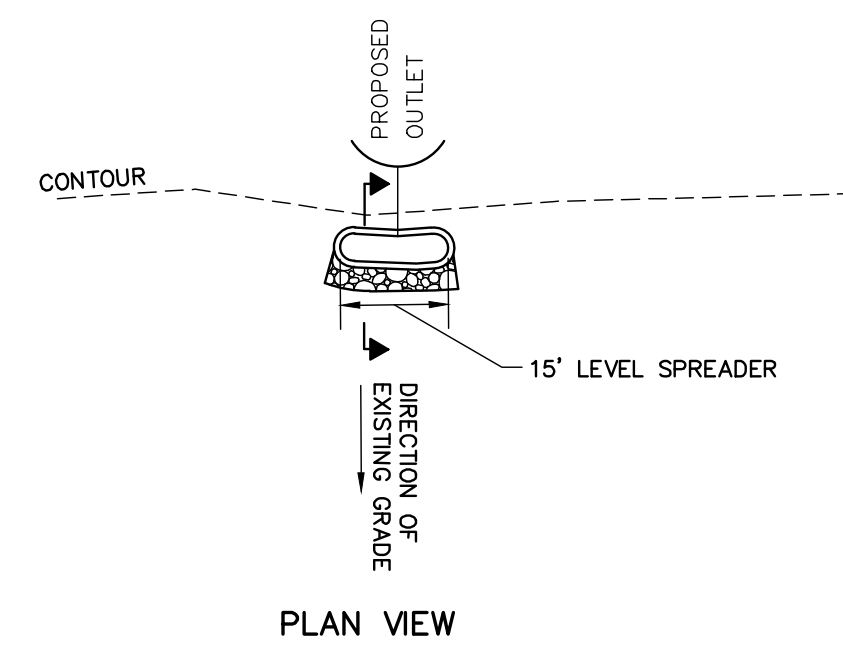


LEVEL SPREADER STONE SIZE*

Sieve Designation (metric)	Sieve Designation (U.S. Customary)	Percent by Weight Passing Square Mesh Sieve
300 mm	12 inch	100
150 mm	6 inch	84-100
75 mm	3 inch	68-83
25.4 mm	1 inch	42-55
4.75 mm	No. 4	8-12

*ALL STONE SHALL BE CRUSHED, ANGULAR STONE

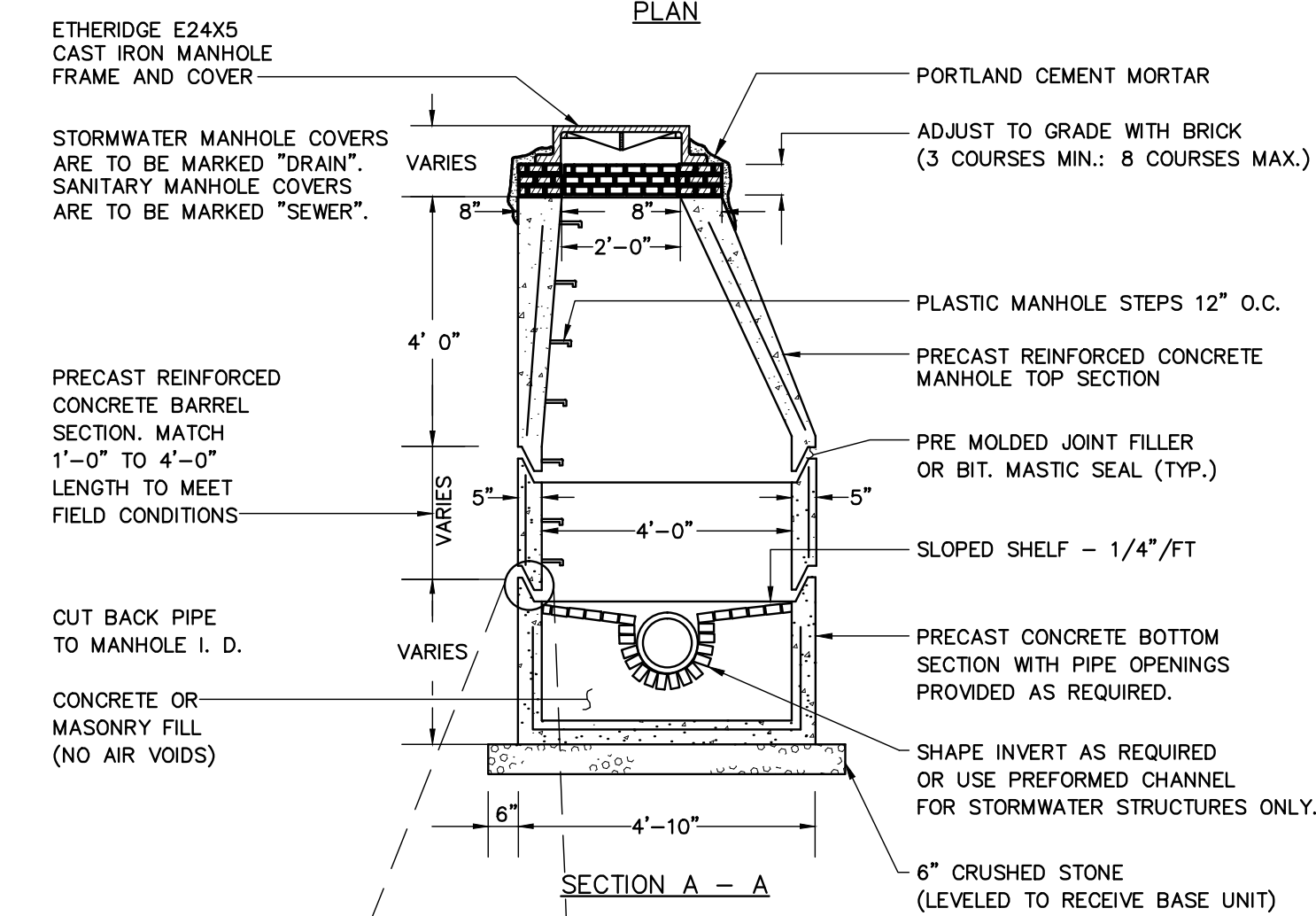
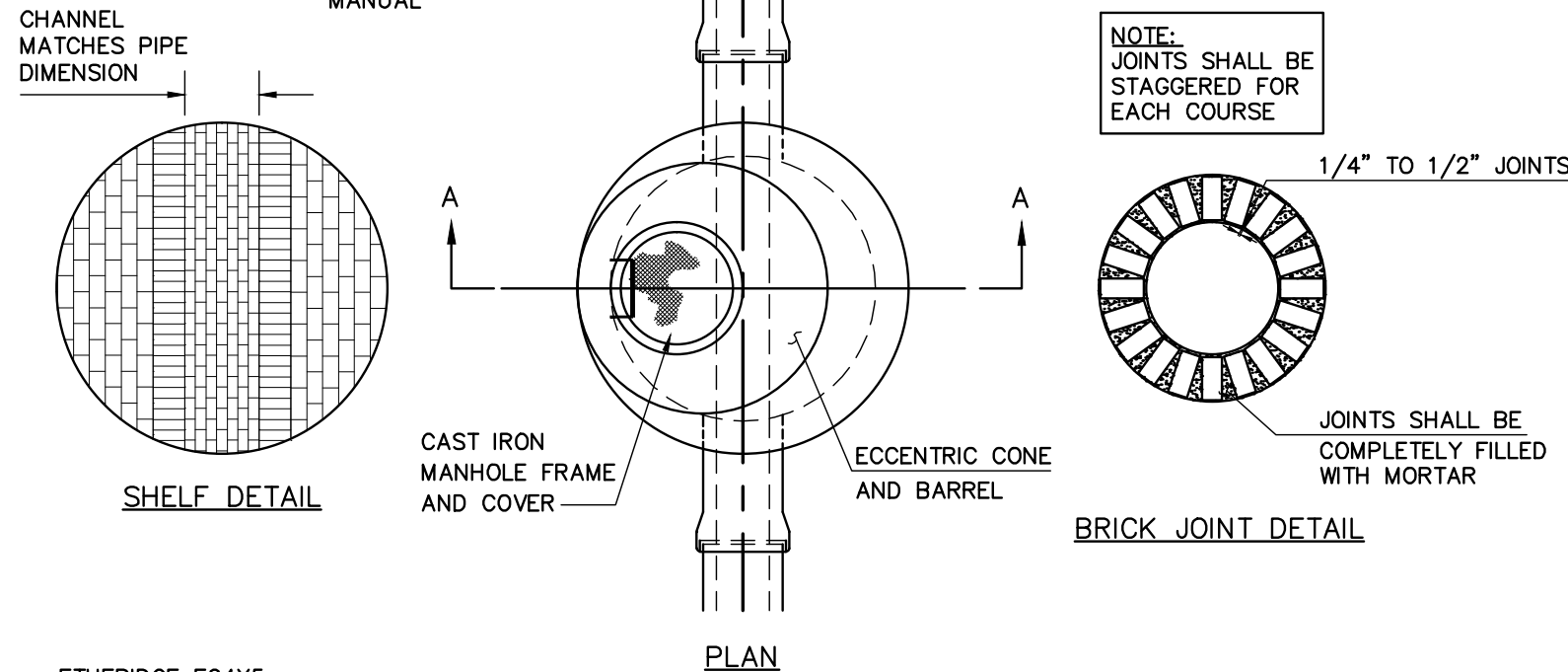


LEVEL LIP SPREADER DETAIL

N.T.S.

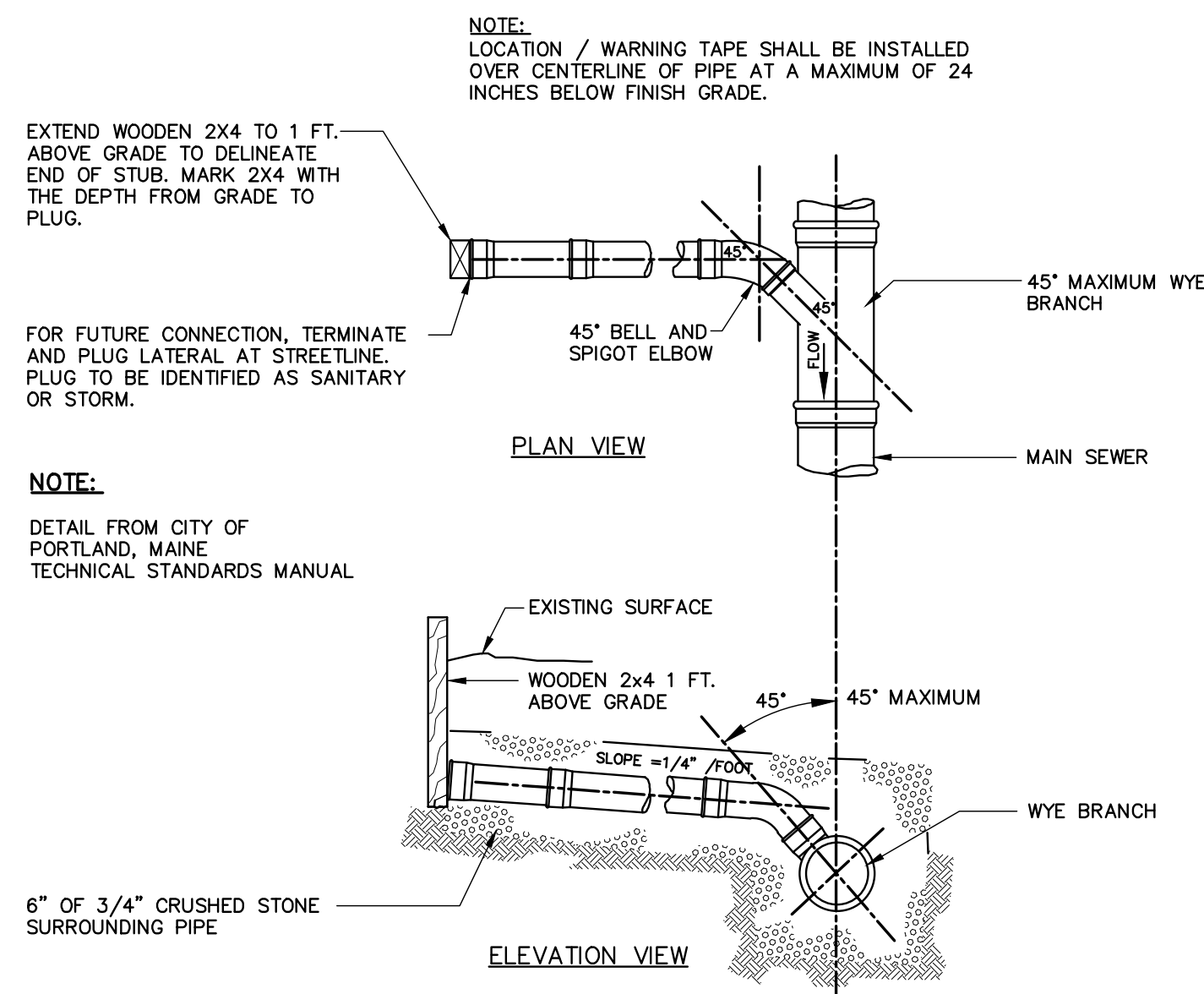
NOTE:

DETAIL FROM CITY OF PORTLAND, MAINE TECHNICAL STANDARDS MANUAL



PRECAST CONCRETE MANHOLE

N.T.S.

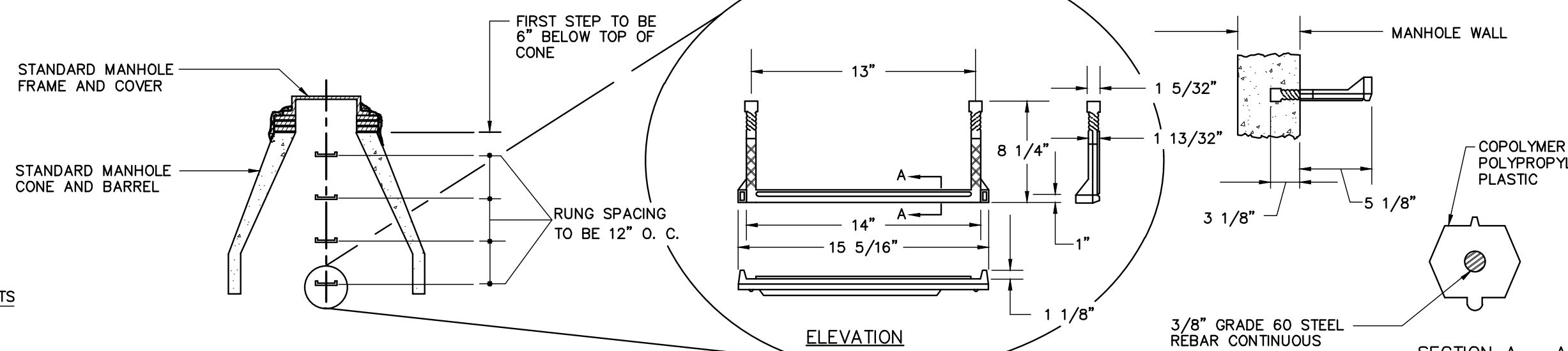


TYPICAL LATERAL TEE/WYE CONNECTION

N.T.S.

NOTE:

DETAIL FROM CITY OF PORTLAND, MAINE TECHNICAL STANDARDS MANUAL

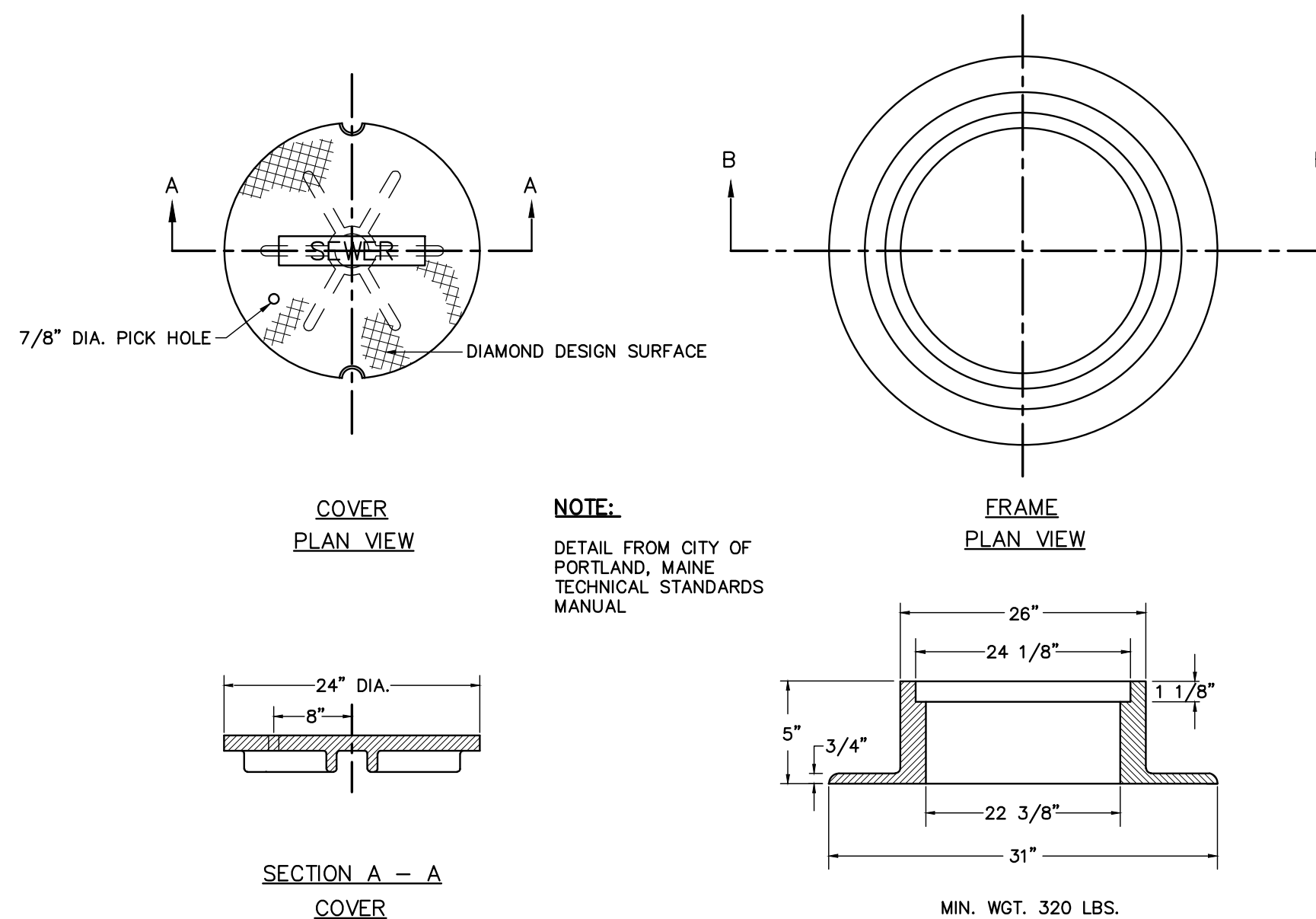


PLASTIC MANHOLE STEPS

N.T.S.

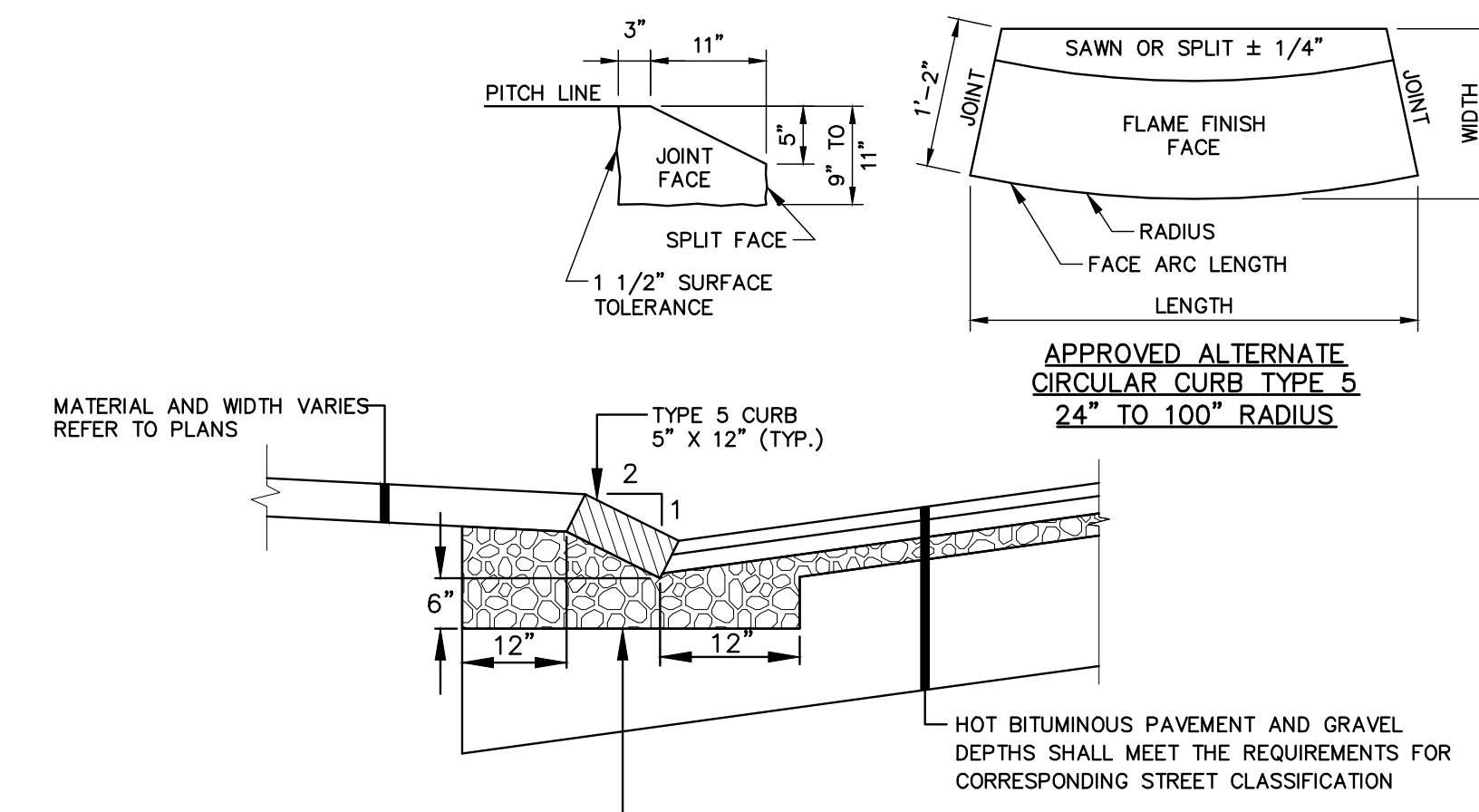
NOTE:

ALL MANHOLE COVERS SHALL BE SOLID AND SHALL HAVE ONE 7/8" DIAMETER DRILLED PICK HOLE, LOCATED 8" FROM THE CENTER OF THE COVER. ALL SANITARY MANHOLE COVERS SHALL HAVE "SEWER" CAST INTO THE COVER. ALL STORMWATER/RAIN MANHOLE COVERS SHALL HAVE "DRAIN" CAST INTO THE COVER.



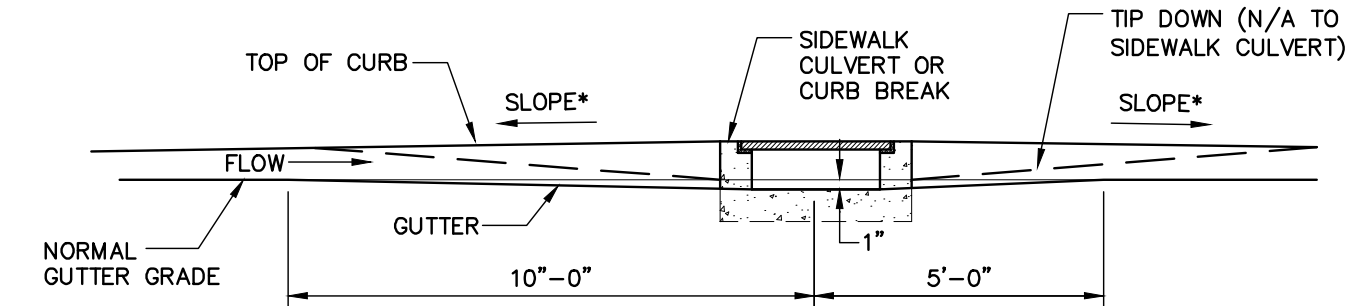
CAST IRON MANHOLE COVER AND FRAME

N.T.S.



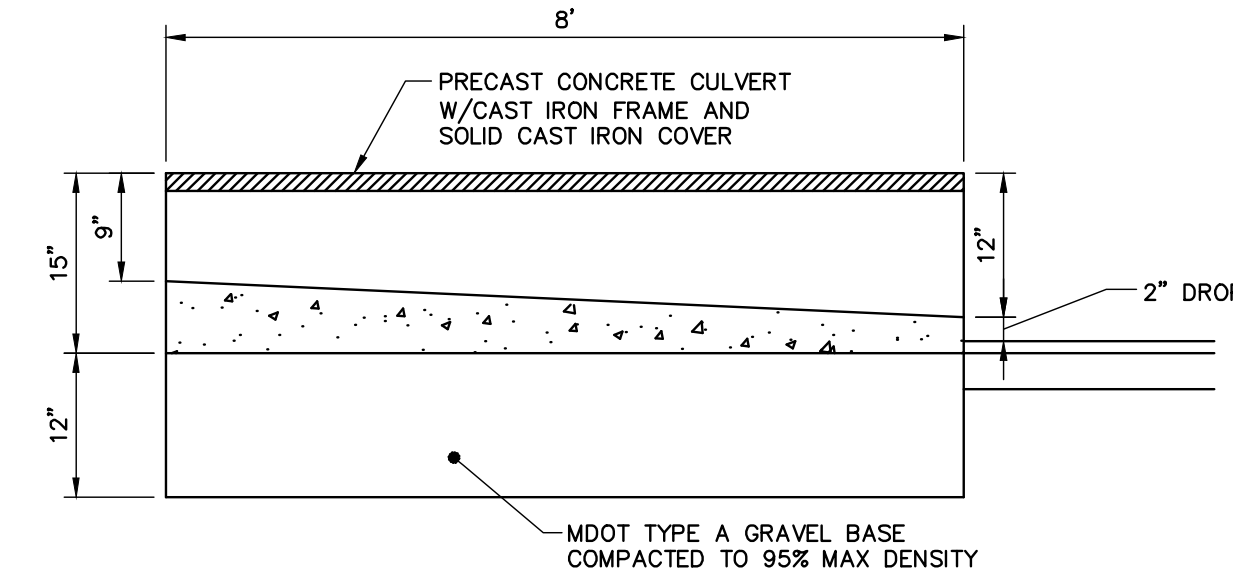
SLOPED GRANITE CURB DETAIL

N.T.S.

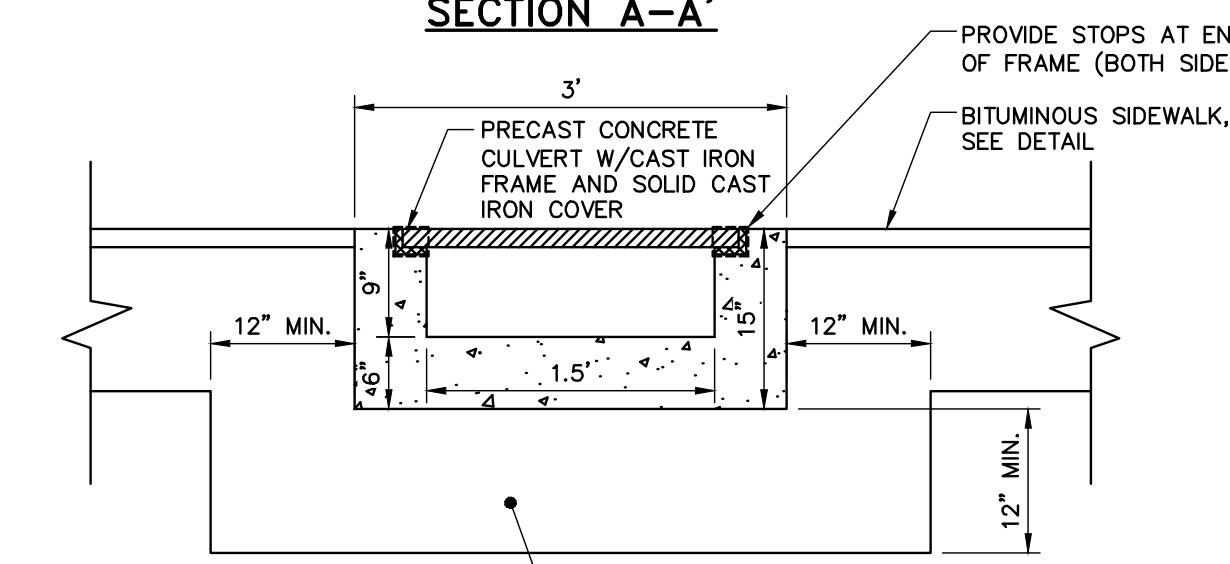


CULVERT/ CURB BREAK GUTTER DETAIL

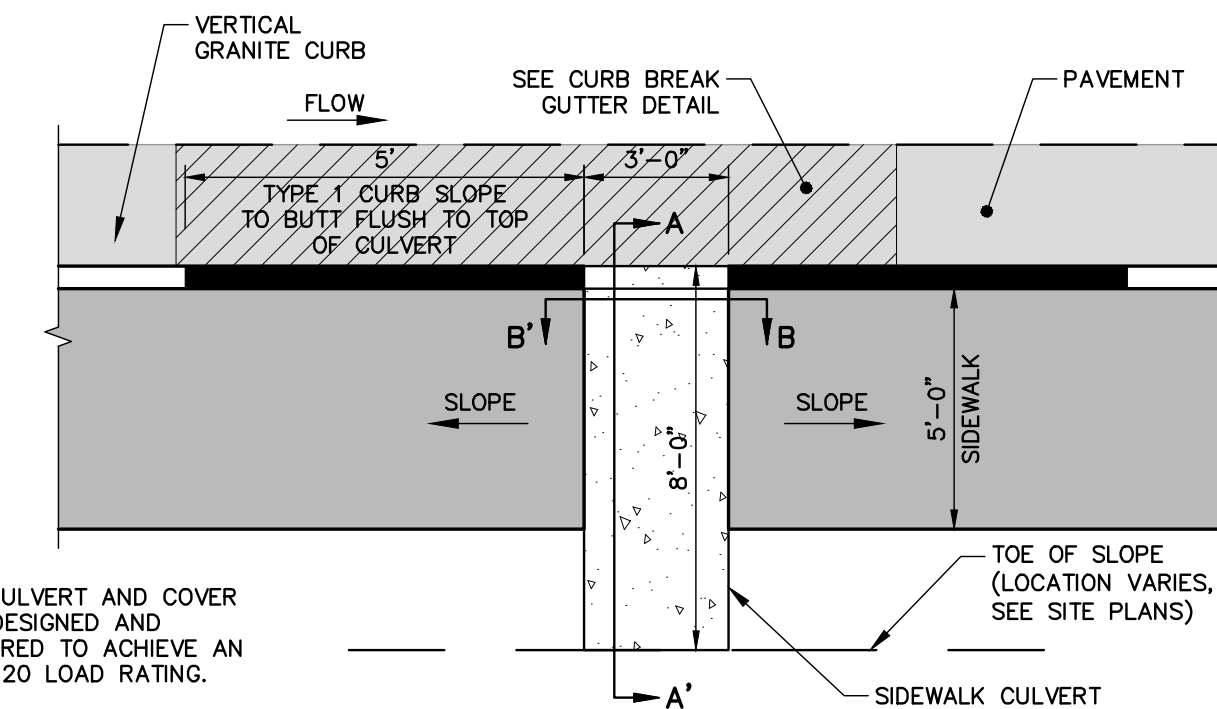
N.T.S.



SECTION A-A'



SECTION B-B'



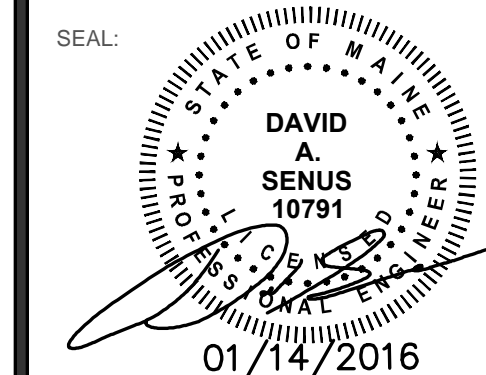
NOTE:

1. SIDEWALK CULVERT AND COVER SHALL BE DESIGNED AND MANUFACTURED TO ACHIEVE AN AASHTO H-20 LOAD RATING.
2. ALL PRODUCTS SHALL BE MANUFACTURED IN THE UNITED STATES.
3. SIDEWALK CULVERTS BY GEORGE R. ROBERTS COMPANY OR APPROVED EQUAL.

SIDEWALK CULVERT DETAIL

N.T.S.

SEAL:



THIS DRAWING IS THE PROPERTY OF SCOTT SIMONS ARCHITECTS (SSA) AND IS NOT TO BE COPIED OR REPRODUCED IN PART OR WHOLE 2016 © SCOTT SIMONS ARCHITECTS, LLC

REVISION:

1
2
3
4
5
6

DATE OF ISSUE: 14 JANUARY 2016
PROJECT NUMBER: 2105-0100 PATRONS OXFORD
STATUS: CONSTRUCTION DOCUMENTS