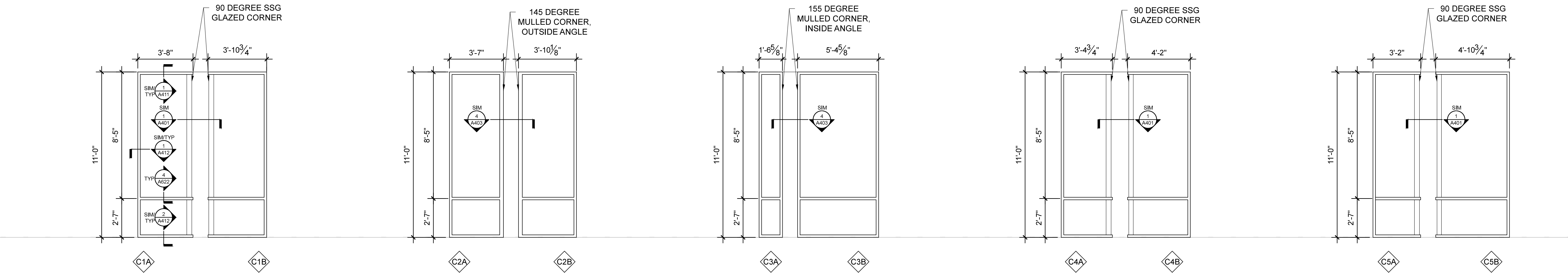
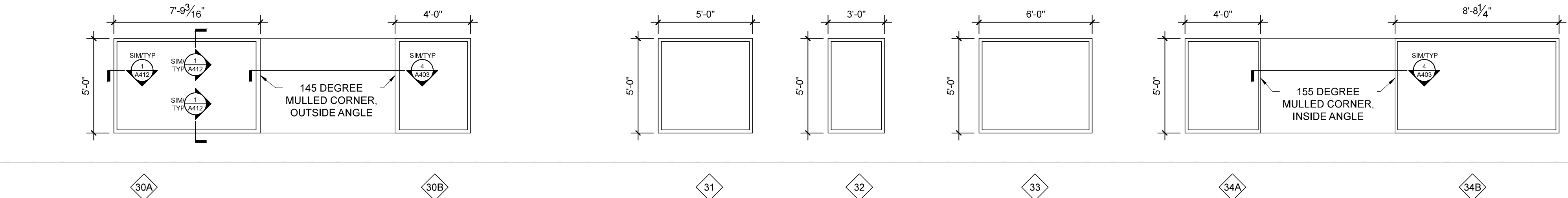


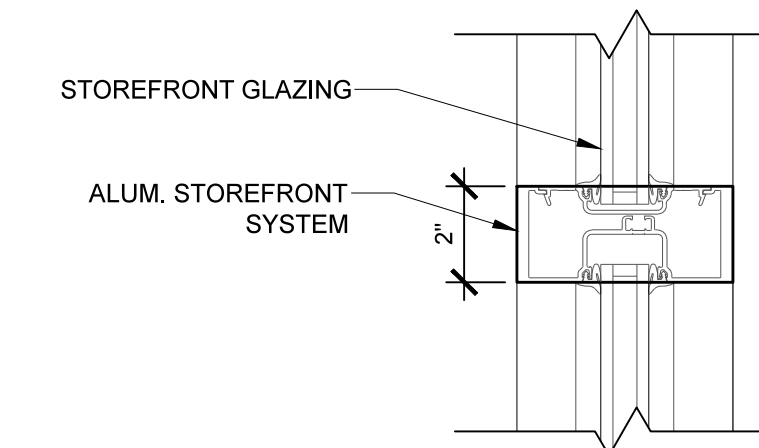
1 SECOND FLOOR STOREFRONT
SCALE: 1/4" = 1'-0"



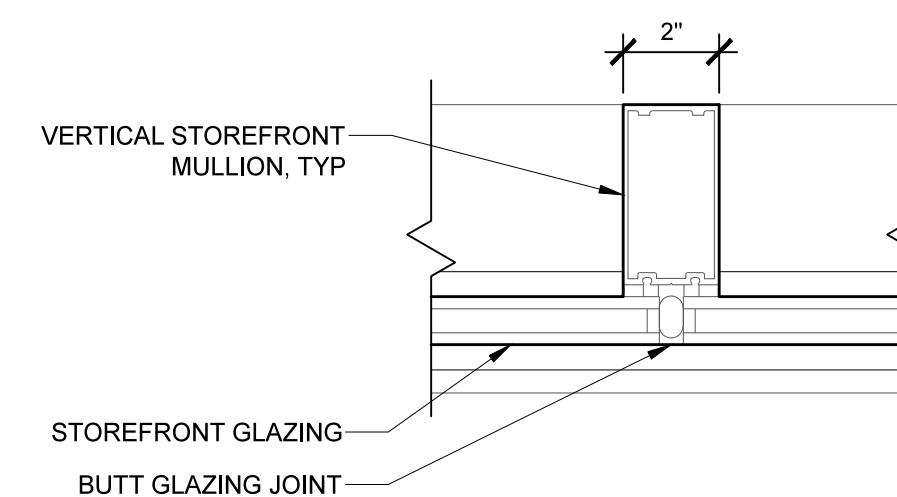
2 SECOND FLOOR CURTAIN WALL
SCALE: 1/4" = 1'-0"



3 CLERESTORY STOREFRONT
SCALE: 1/4" = 1'-0"

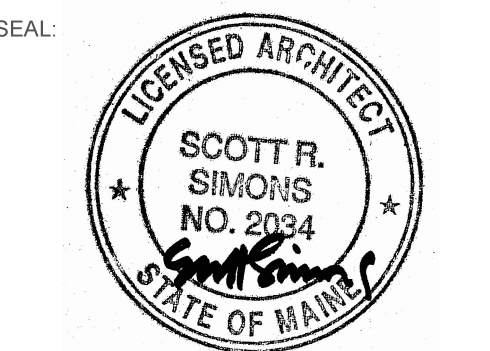


4 TYP HORIZONTAL MULLION SECTION
SCALE: 3" = 1'-0"



5 TYP VERTICAL BUTT GLAZING DETAIL
SCALE: 3" = 1'-0"

PROJECT NAME:
PATRONS OXFORD OFFICES
97 TECHNOLOGY PARK DRIVE
PORTLAND, MAINE 04102
UNITED STATES OF AMERICA



THIS DRAWING IS THE PROPERTY OF SCOTT SIMONS ARCHITECTS (SSA) AND IS NOT TO BE COPIED OR REPRODUCED IN PART OR WHOLE
2016 © SCOTT SIMONS ARCHITECTS, LLC

REVISION:

1	DATE
2	DATE
3	DATE
4	DATE
5	DATE
6	DATE

DATE OF ISSUE: 14 JANUARY 2016
PROJECT NUMBER: 2105-0100 PATRONS OXFORD
STATUS: CONSTRUCTION DOCUMENTS

EXTERIOR WINDOW SCHEDULE

A622