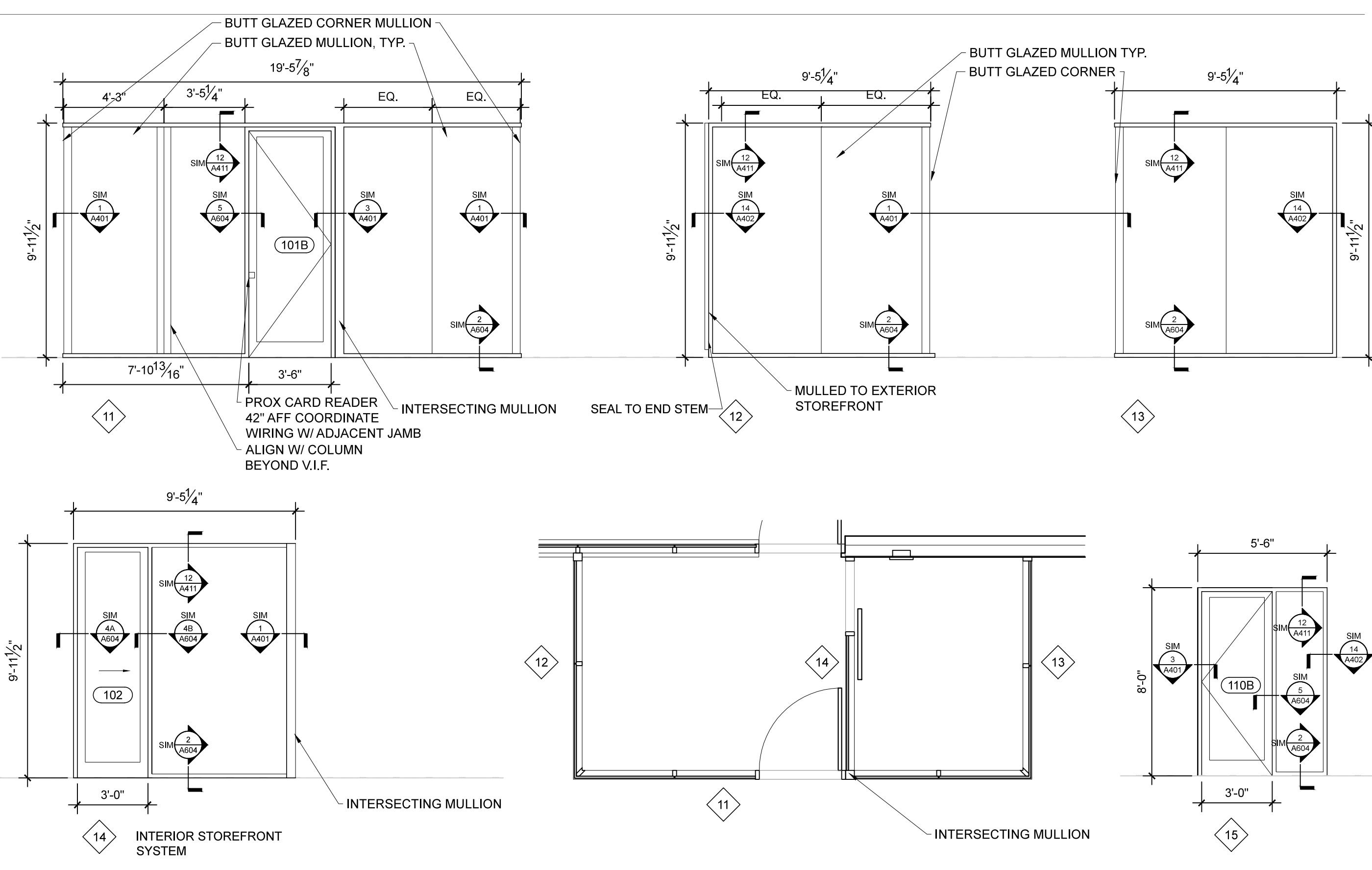
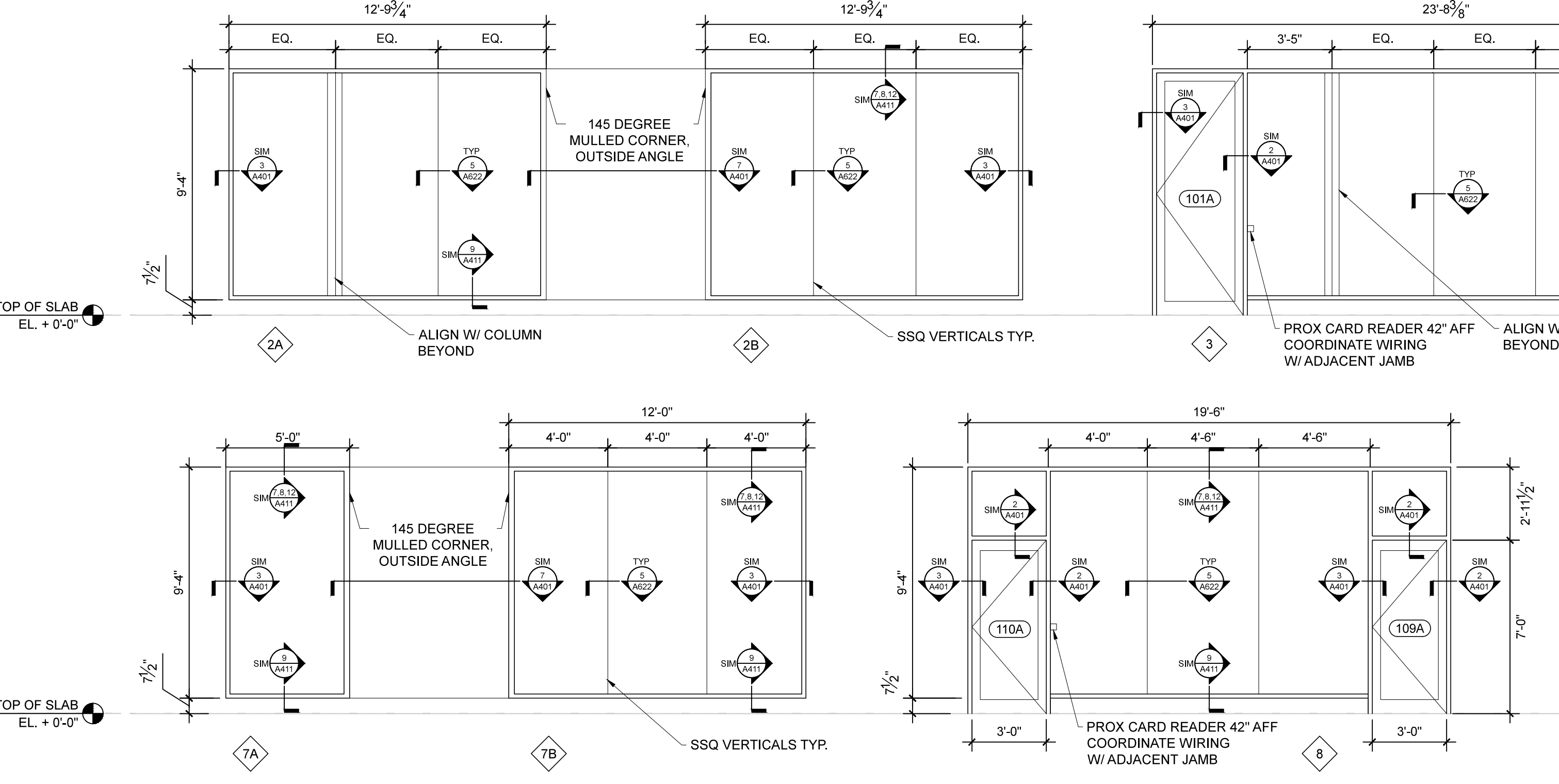


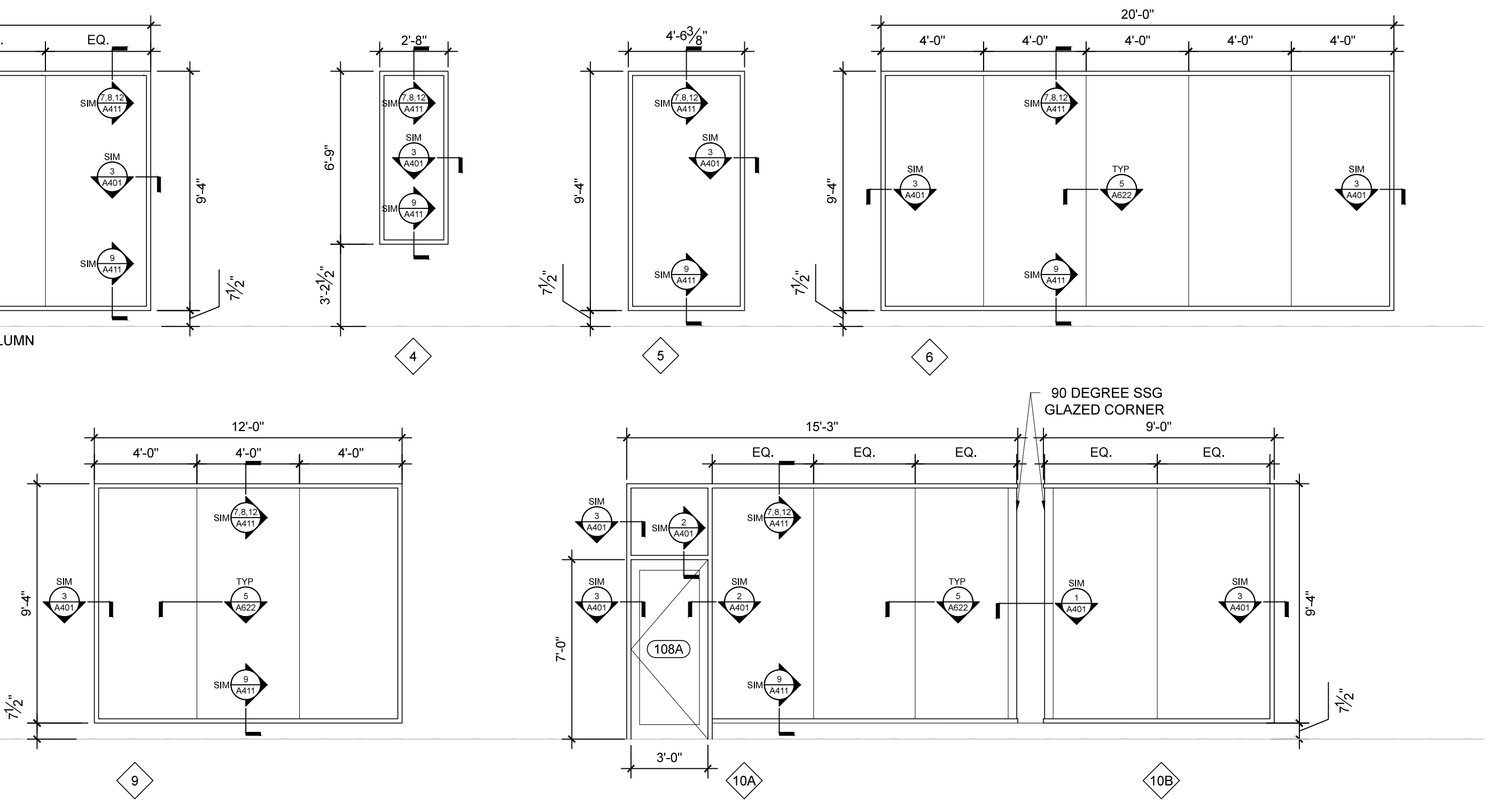
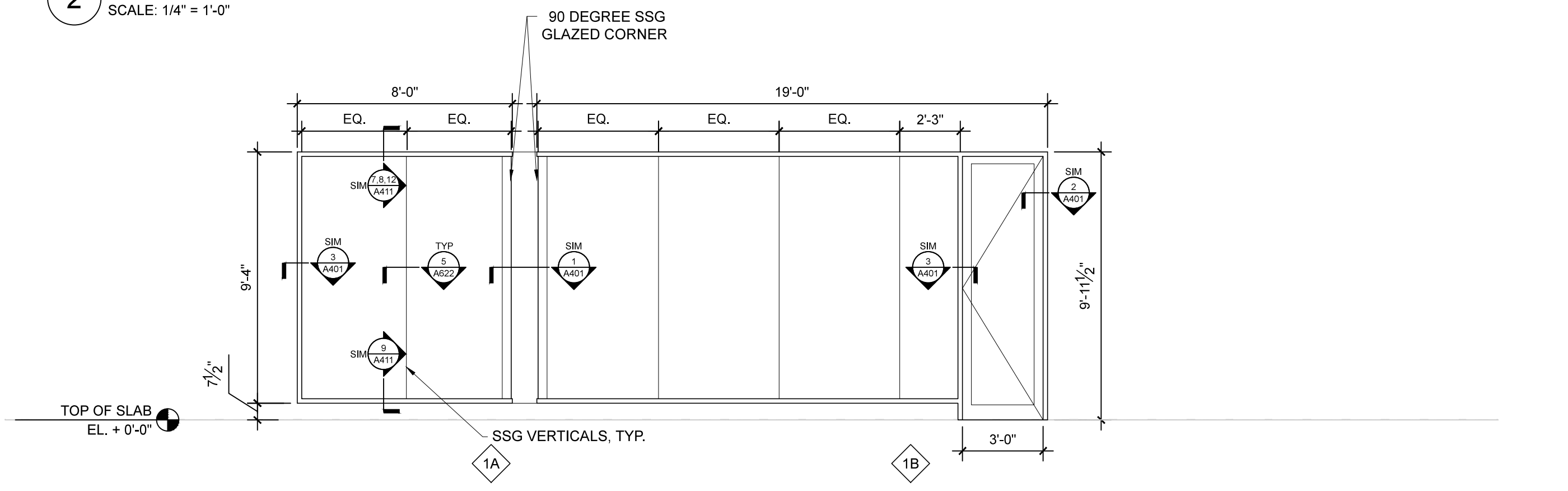
EXTERIOR WINDOW SCHEDULE

NO.	MANUF.	TYPE	SIZE (W x H)		MATERIAL			FRAME DETAILS			NOTES
			FRAME	ROUGH OPENING	INTERIOR	EXTERIOR	GLAZING TYPE	HEAD	JAMB	SILL	
1A	KAWNEER	STOREFRONT	8'-0" x 9'-4"	PER MFOR REQ.	ALUM.	ALUM.	INSULATED GLAZING				
1B	KAWNEER	STOREFRONT	19'-0" x 9'-4"	PER MFOR REQ.	ALUM.	ALUM.	INSULATED GLAZING				
2A	KAWNEER	STOREFRONT	12'-9 3/4" x 9'-4"	PER MFOR REQ.	ALUM.	ALUM.	INSULATED GLAZING				VERIFY COLUMN LOCATION TO ALIGN WITH MULLION AS SHOWN.
2B	KAWNEER	STOREFRONT	12'-9 3/4" x 9'-4"	PER MFOR REQ.	ALUM.	ALUM.	INSULATED GLAZING				VERIFY COLUMN LOCATION TO ALIGN WITH MULLION AS SHOWN.
3	KAWNEER	STOREFRONT	23'-8 3/8" x 9'-4"	PER MFOR REQ.	ALUM.	ALUM.	INSULATED GLAZING				VERIFY COLUMN LOCATION TO ALIGN WITH MULLION AS SHOWN.
4	KAWNEER	STOREFRONT	2'-8" x 6'-9"	PER MFOR REQ.	ALUM.	ALUM.	INSULATED GLAZING				
5	KAWNEER	STOREFRONT	4'-6 3/8" x 9'-4"	PER MFOR REQ.	ALUM.	ALUM.	INSULATED GLAZING				
6	KAWNEER	STOREFRONT	20'-0" x 9'-4"	PER MFOR REQ.	ALUM.	ALUM.	INSULATED GLAZING				
7A	KAWNEER	STOREFRONT	5'-0" x 9'-4"	PER MFOR REQ.	ALUM.	ALUM.	INSULATED GLAZING				
7B	KAWNEER	STOREFRONT	12'-0" x 9'-4"	PER MFOR REQ.	ALUM.	ALUM.	INSULATED GLAZING				
8	KAWNEER	STOREFRONT	19'-6" x 9'-4"	PER MFOR REQ.	ALUM.	ALUM.	INSULATED GLAZING				
9	KAWNEER	STOREFRONT	12'-0" x 9'-4"	PER MFOR REQ.	ALUM.	ALUM.	INSULATED GLAZING				
10A	KAWNEER	STOREFRONT	15'-3" x 9'-4"	PER MFOR REQ.	ALUM.	ALUM.	INSULATED GLAZING				
10B	KAWNEER	STOREFRONT	9'-0" x 9'-4"	PER MFOR REQ.	ALUM.	ALUM.	INSULATED GLAZING				
11	KAWNEER	STOREFRONT	19'-5 7/8" x 9'-11 1/2"	PER MFOR REQ.	ALUM.	ALUM.	INSULATED GLAZING				INTERIOR VESTIBULE LOCATION, ENTRY 101
12	KAWNEER	STOREFRONT	9'-7 3/8" x 9'-11 1/2"	PER MFOR REQ.	ALUM.	ALUM.	INSULATED GLAZING				INTERIOR VESTIBULE LOCATION, ENTRY 101
13	KAWNEER	STOREFRONT	9'-5 1/4" x 9'-11 1/2"	PER MFOR REQ.	ALUM.	ALUM.	INSULATED GLAZING				INTERIOR VESTIBULE LOCATION, MEETING 102
14	KAWNEER	STOREFRONT	9'-5 1/4" x 9'-11 1/2"	PER MFOR REQ.	ALUM.	ALUM.	INSULATED GLAZING				INTERIOR VESTIBULE LOCATION, MEETING 102
15	KAWNEER	STOREFRONT	5'-6" x 8'-0"	PER MFOR REQ.	ALUM.	ALUM.	INSULATED GLAZING				INTERIOR VESTIBULE LOCATION, MUDROOM 110
20	KAWNEER	STOREFRONT	3'-0" x 11'-0"	PER MFOR REQ.	ALUM.	ALUM.	INSULATED GLAZING				
21	KAWNEER	STOREFRONT	3'-6" x 11'-0"	PER MFOR REQ.	ALUM.	ALUM.	INSULATED GLAZING				
22	KAWNEER	STOREFRONT	4'-0" x 11'-0"	PER MFOR REQ.	ALUM.	ALUM.	INSULATED GLAZING				
23	KAWNEER	STOREFRONT	4'-6" x 11'-0"	PER MFOR REQ.	ALUM.	ALUM.	INSULATED GLAZING				
24	KAWNEER	STOREFRONT	5'-0" x 11'-0"	PER MFOR REQ.	ALUM.	ALUM.	INSULATED GLAZING				
25	KAWNEER	STOREFRONT	5'-6" x 11'-0"	PER MFOR REQ.	ALUM.	ALUM.	INSULATED GLAZING				
26	KAWNEER	STOREFRONT	6'-0" x 11'-0"	PER MFOR REQ.	ALUM.	ALUM.	INSULATED GLAZING				
27	KAWNEER	STOREFRONT	5'-6" x 11'-0"	PER MFOR REQ.	ALUM.	ALUM.	INSULATED GLAZING				
28	KAWNEER	STOREFRONT	5'-6" x 11'-0"	PER MFOR REQ.	ALUM.	ALUM.	INSULATED GLAZING				
29	KAWNEER	STOREFRONT	6'-0" x 11'-0"	PER MFOR REQ.	ALUM.	ALUM.	INSULATED GLAZING				
C1A	KAWNEER	CURTAIN WALL	3'-8" x 11'-0"	PER MFOR REQ.	ALUM.	ALUM.	INSULATED GLAZING				
C1B	KAWNEER	CURTAIN WALL	3'-10 3/4" x 11'-0"	PER MFOR REQ.	ALUM.	ALUM.	INSULATED GLAZING				
C1A	KAWNEER	CURTAIN WALL	3'-7" x 11'-0"	PER MFOR REQ.	ALUM.	ALUM.	INSULATED GLAZING				
C2B	KAWNEER	CURTAIN WALL	3'-10 1/8" x 11'-0"	PER MFOR REQ.	ALUM.	ALUM.	INSULATED GLAZING				
C3A	KAWNEER	CURTAIN WALL	1'-6 5/8" x 11'-0"	PER MFOR REQ.	ALUM.	ALUM.	INSULATED GLAZING				
C3B	KAWNEER	CURTAIN WALL	5'-4 5/8" x 11'-0"	PER MFOR REQ.	ALUM.	ALUM.	INSULATED GLAZING				
C4A	KAWNEER	CURTAIN WALL	3'-4 3/4" x 11'-0"	PER MFOR REQ.	ALUM.	ALUM.	INSULATED GLAZING				
C4B	KAWNEER	CURTAIN WALL	4'-2" x 11'-0"	PER MFOR REQ.	ALUM.	ALUM.	INSULATED GLAZING				
C5A	KAWNEER	CURTAIN WALL	3'-2" x 11'-0"	PER MFOR REQ.	ALUM.	ALUM.	INSULATED GLAZING				
C5B	KAWNEER	CURTAIN WALL	4'-10 3/4" x 11'-0"	PER MFOR REQ.	ALUM.	ALUM.	INSULATED GLAZING				
C6A	KAWNEER	CURTAIN WALL	6'-1" x 11'-0"	PER MFOR REQ.	ALUM.	ALUM.	INSULATED GLAZING				
C6B	KAWNEER	CURTAIN WALL	5'-3 3/4" x 11'-0"	PER MFOR REQ.	ALUM.	ALUM.	INSULATED GLAZING				
C7A	KAWNEER	CURTAIN WALL	3'-1 1/8" x 11'-0"	PER MFOR REQ.	ALUM.	ALUM.	INSULATED GLAZING				
C7B	KAWNEER	CURTAIN WALL	1'-10 5/8" x 11'-0"	PER MFOR REQ.	ALUM.	ALUM.	INSULATED GLAZING				
C8A	KAWNEER	CURTAIN WALL	3'-4 3/4" x 11'-0"	PER MFOR REQ.	ALUM.	ALUM.	INSULATED GLAZING				
C8B	KAWNEER	CURTAIN WALL	3'-8" x 11'-0"	PER MFOR REQ.	ALUM.	ALUM.	INSULATED GLAZING				
30A	KAWNEER	STOREFRONT	7'-9 3/16" x 5'-0"	PER MFOR REQ.	ALUM.	ALUM.	INSULATED GLAZING				
30B	KAWNEER	STOREFRONT	4'-0" x 5'-0"	PER MFOR REQ.	ALUM.	ALUM.	INSULATED GLAZING				
31	KAWNEER	STOREFRONT	5'-0" x 5'-0"	PER MFOR REQ.	ALUM.	ALUM.	INSULATED GLAZING				
32	KAWNEER	STOREFRONT	3'-0" x 5'-0"	PER MFOR REQ.	ALUM.	ALUM.	INSULATED GLAZING				
33	KAWNEER	STOREFRONT	6'-0" x 5'-0"	PER MFOR REQ.	ALUM.	ALUM.	INSULATED GLAZING				
34A	KAWNEER	STOREFRONT	4'-0" x 5'-0"	PER MFOR REQ.	ALUM.	ALUM.	INSULATED GLAZING				
34B	KAWNEER	STOREFRONT	8'-8 1/4" x 5'-0"	PER MFOR REQ.	ALUM.	ALUM.	INSULATED GLAZING				

GENERAL NOTES:
 1. STOREFRONT BASIS OF DESIGN: KAWNEER 451T SSG
 2. CURTAIN WALL BASIS OF DESIGN: KAWNEER 1620 SSG
 3. ALL GLASS TO BE TEMPERED AS REQUIRED.
 4. SEE DOOR SCHEDULE, SHEET A601, FOR DOOR HARDWARE
 5. CONTRACTOR SHOW FIELD VERIFY ALL DIM. PRIOR TO FABRICATION OF WINDOW UNITS

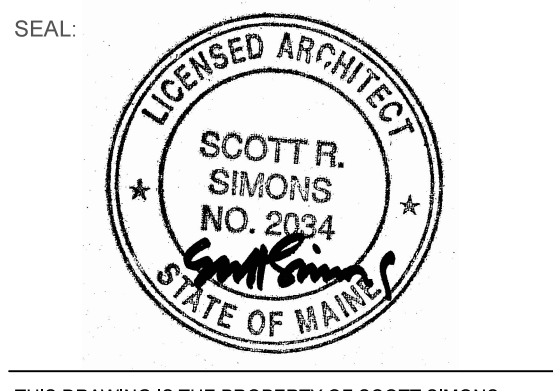


- 1 INTERIOR INSULATED GLASS
SCALE: 1/4" = 1'-0"
- 2 FIRST FLOOR STOREFRONT (BELOW)
SCALE: 1/4" = 1'-0"



75 York Street
 Portland, Maine 04101
 simonsarchitects.com
 207.772.4656

PROJECT NAME:
PATRONS OXFORD OFFICES
 97 TECHNOLOGY PARK DRIVE
 PORTLAND, MAINE 04102
 UNITED STATES OF AMERICA



THIS DRAWING IS THE PROPERTY OF SCOTT SIMONS ARCHITECTS (SSA) AND IS NOT TO BE COPIED OR REPRODUCED IN PART OR WHOLE 2016 © SCOTT SIMONS ARCHITECTS, LLC

REVISION:

1	DATE
2	DATE
3	DATE
4	DATE
5	DATE
6	DATE

DATE OF ISSUE: 14 JANUARY 2016
 PROJECT NUMBER: 2105-0100 PATRONS OXFORD
 STATUS: CONSTRUCTION DOCUMENTS

EXTERIOR WINDOW SCHEDULE

A621