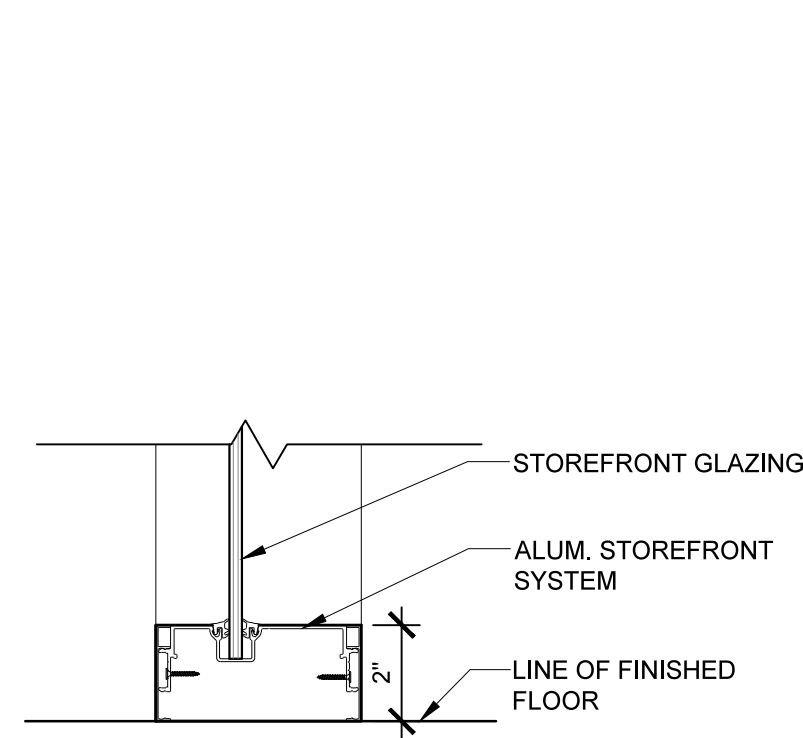
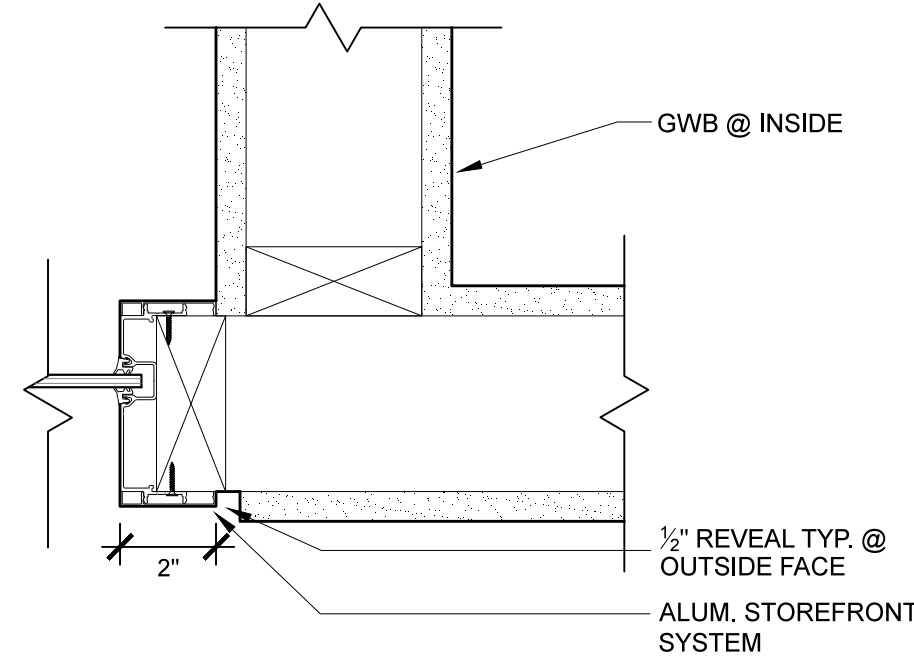


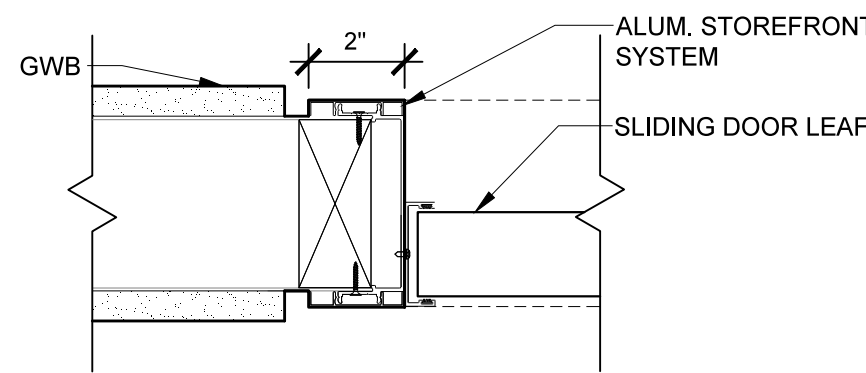
**1 TYP. HEAD DETAIL @ GLU LAM BEAM**  
SCALE: 3" = 1'-0"



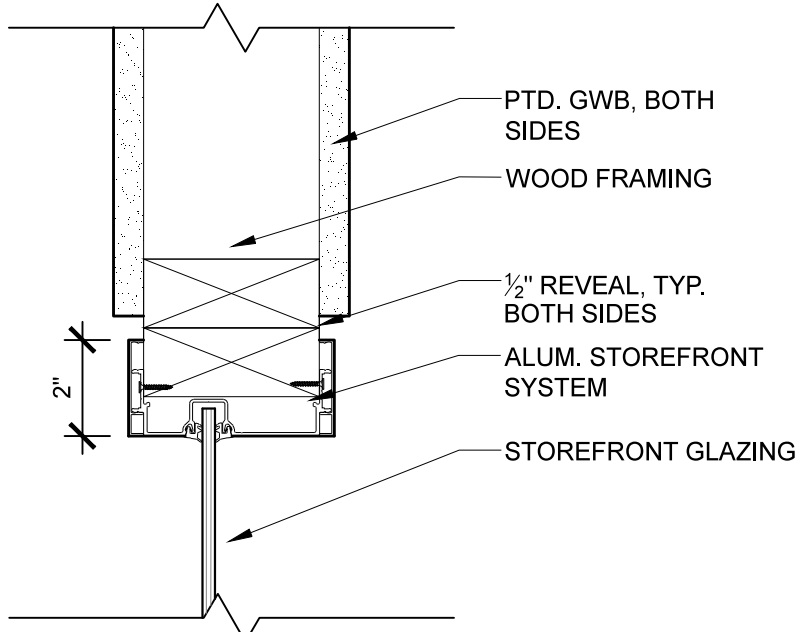
**2 TYP. SILL DETAIL**  
SCALE: 3" = 1'-0"



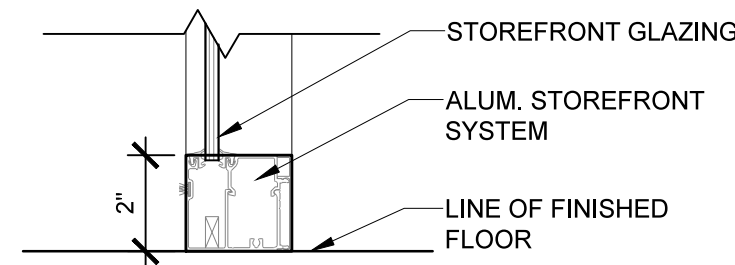
**4 TYP. JAMB DETAIL**  
SCALE: 3" = 1'-0"



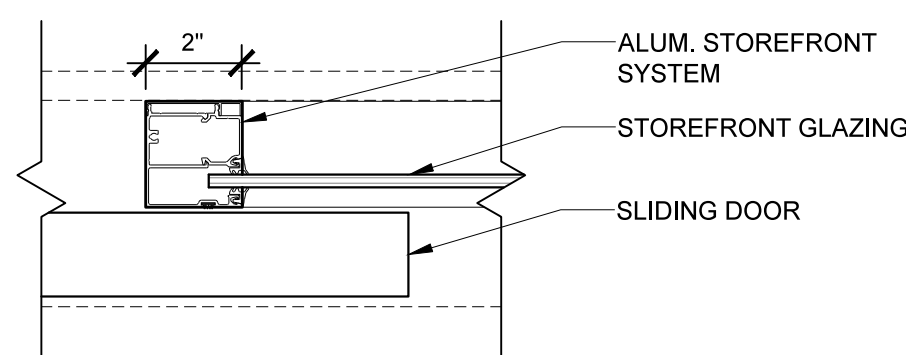
**4A TYP. JAMB @ SLIDING DOOR**  
SCALE: 3" = 1'-0"



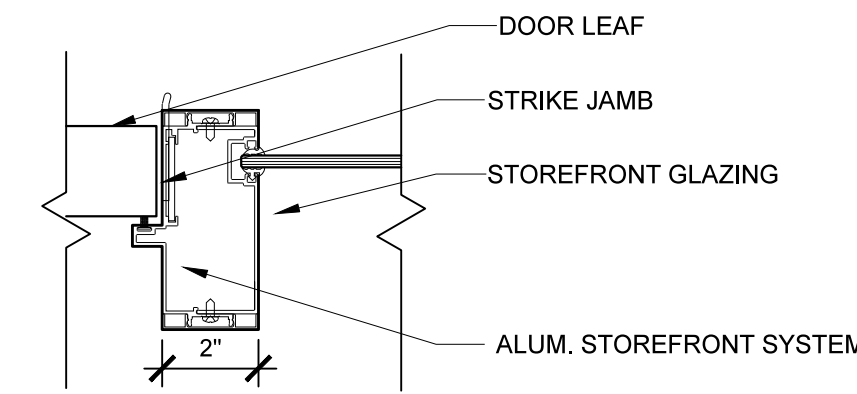
**1B TYP. HEAD @ GWB SOFFIT**  
SCALE: 3" = 1'-0"



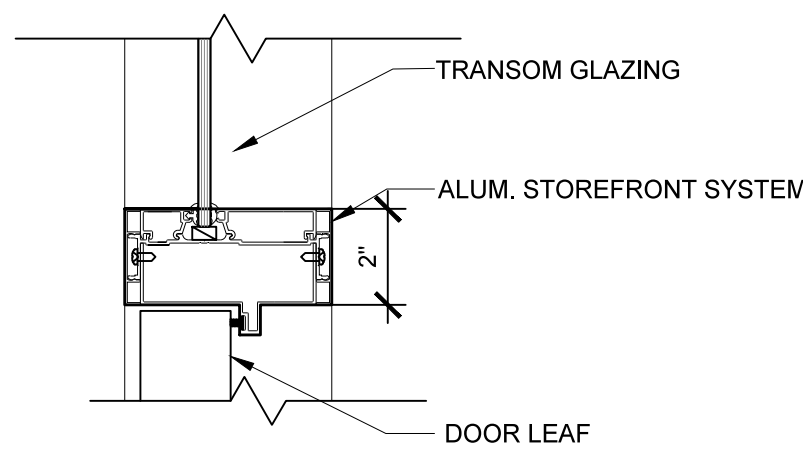
**2A TYP. SILL @ SLIDING DOOR**  
SCALE: 3" = 1'-0"



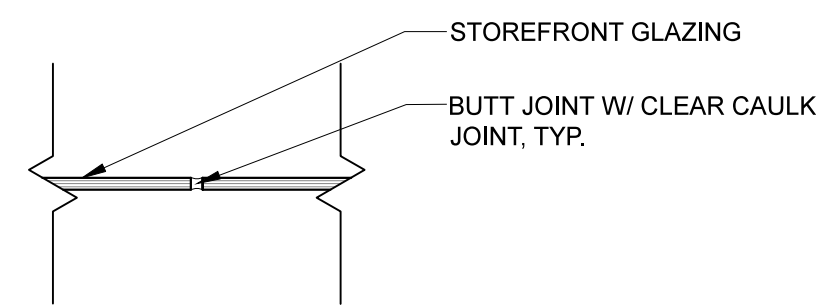
**4B TYP. INTERMEDIATE MULLION @ SLIDING DOOR**  
SCALE: 3" = 1'-0"



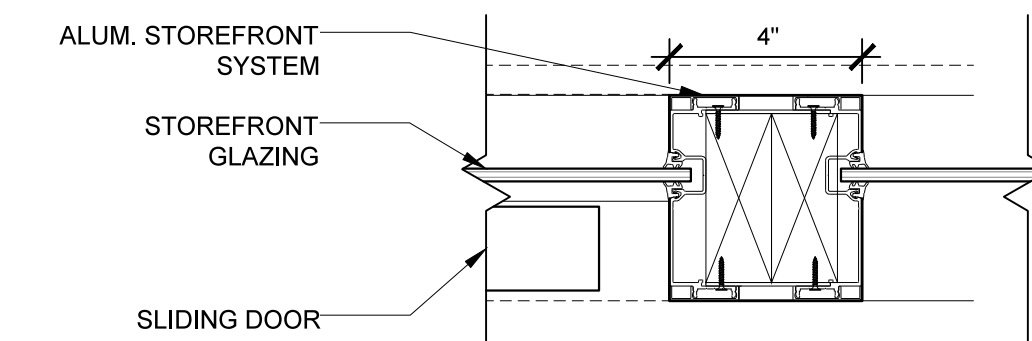
**5 TYP. STRIKE JAMB @ DOOR SWING**  
SCALE: 3" = 1'-0"



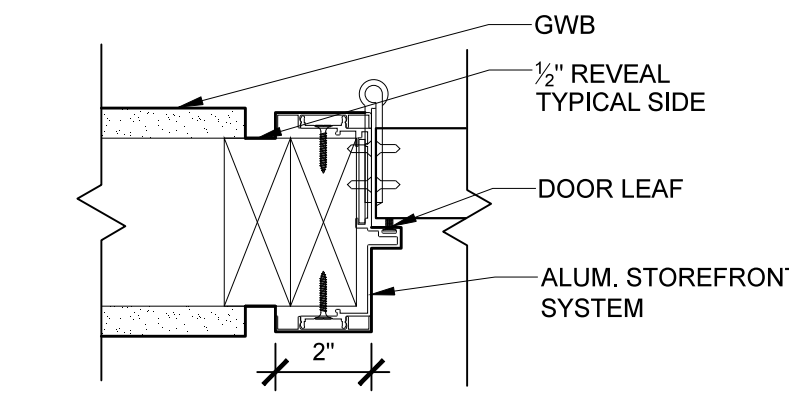
**1C TYP. HEAD @ TRANSOM GLAZING**  
SCALE: 3" = 1'-0"



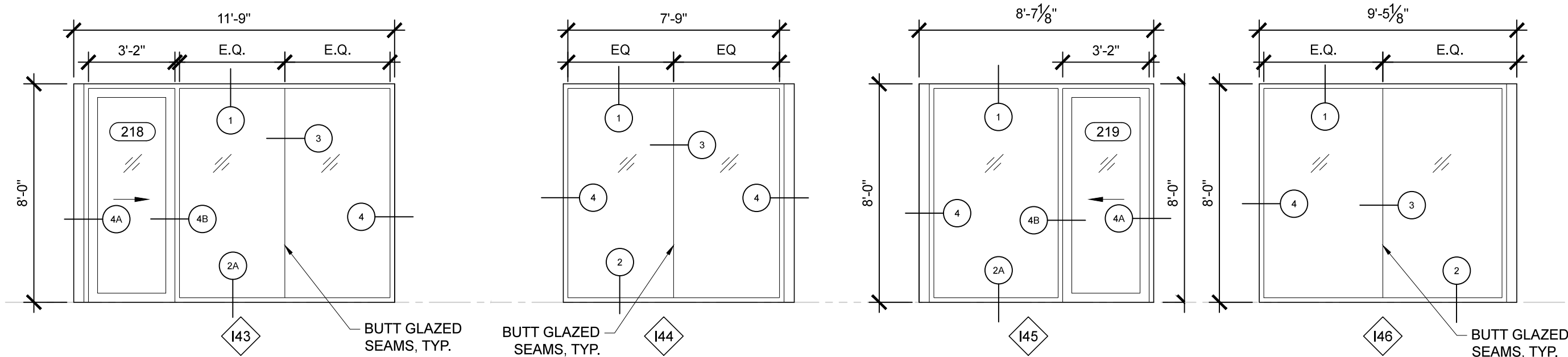
**3 TYP. BUTT. GLAZING PLAN DETAIL**  
SCALE: 3" = 1'-0"



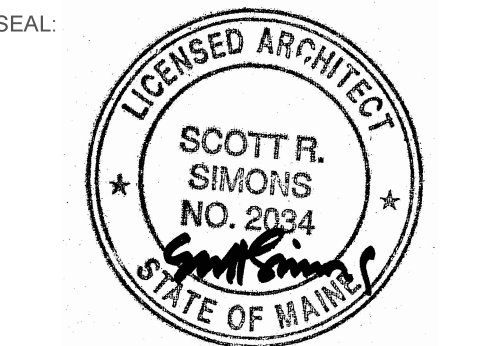
**4C TYP. MULLION @ SLIDING DOOR**  
SCALE: 3" = 1'-0"



**5A TYP. HINGE SIDE @ DOOR SWING**  
SCALE: 3" = 1'-0"



PROJECT NAME:  
**PATRONS OXFORD OFFICES**  
97 TECHNOLOGY PARK DRIVE  
PORTLAND, MAINE 04102  
UNITED STATES OF AMERICA



THIS DRAWING IS THE PROPERTY OF SCOTT SIMONS ARCHITECTS (SSA) AND IS NOT TO BE COPIED OR REPRODUCED IN PART OR WHOLE 2016 © SCOTT SIMONS ARCHITECTS, LLC

REVISION:	DATE
1	DATE
2	DATE
3	DATE
4	DATE
5	DATE
6	DATE

DATE OF ISSUE: 14 JANUARY 2016  
PROJECT NUMBER: 2105-0100 PATRONS OXFORD  
STATUS: CONSTRUCTION DOCUMENTS

**INTERIOR WINDOW SCHEDULE**

**A604**