



THIS DRAWING IS THE PROPERTY OF SCOTT SIMONS ARCHITECTS (SSA) AND IS NOT TO BE COPIED OR REPRODUCED IN PART OR WHOLE. © 2016 SCOTT SIMONS ARCHITECTS, LLC

REVISION:

1	DATE
2	DATE
3	DATE
4	DATE
5	DATE
6	DATE

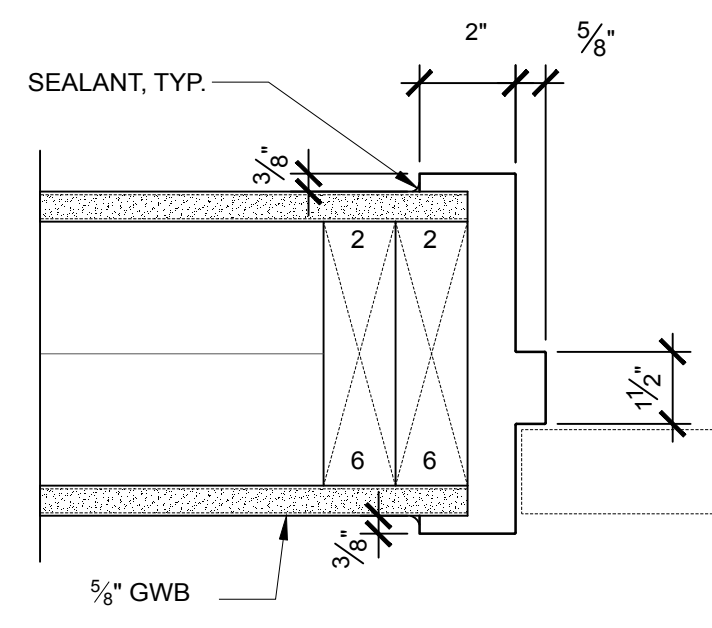
DATE OF ISSUE: 14 JANUARY 2016  
PROJECT NUMBER: 2105-0100 PATRONS OXFORD  
STATUS: CONSTRUCTION DOCUMENTS

**DOOR SCHEDULE**

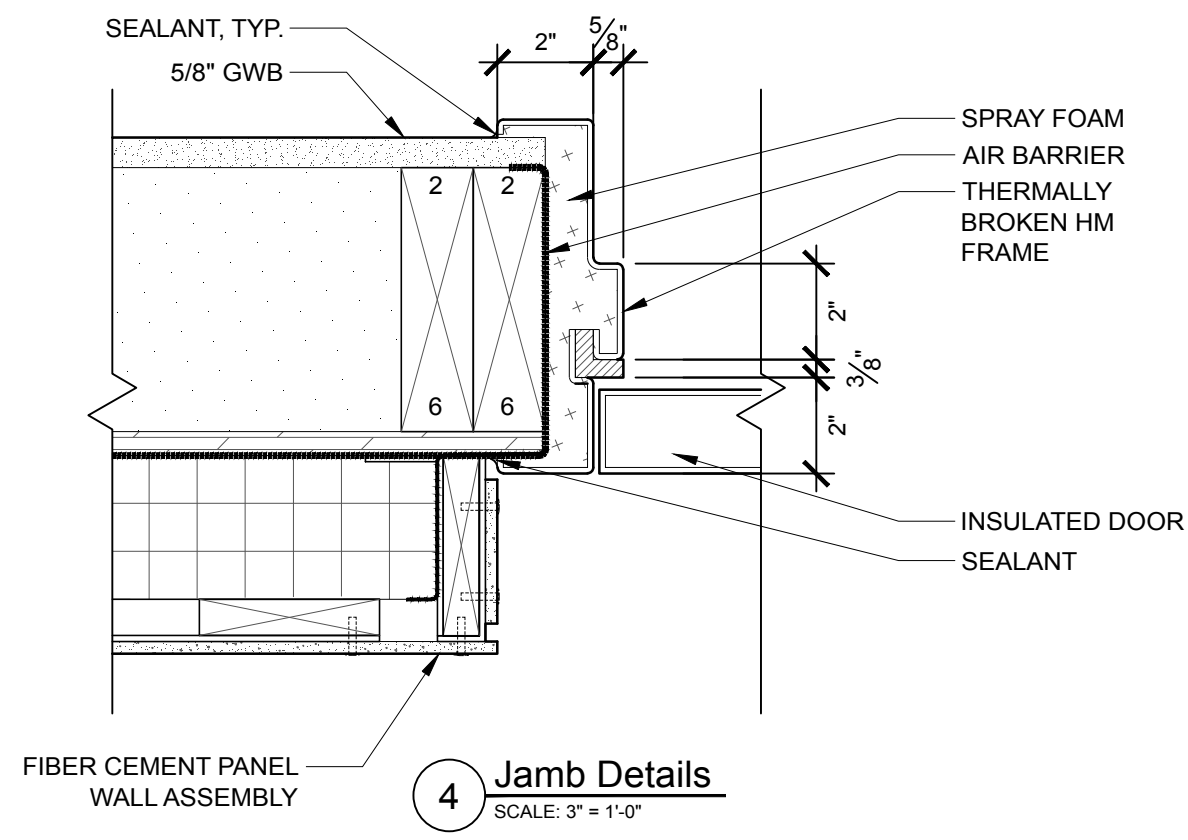
**A601**

**DOOR AND FRAME SCHEDULE**

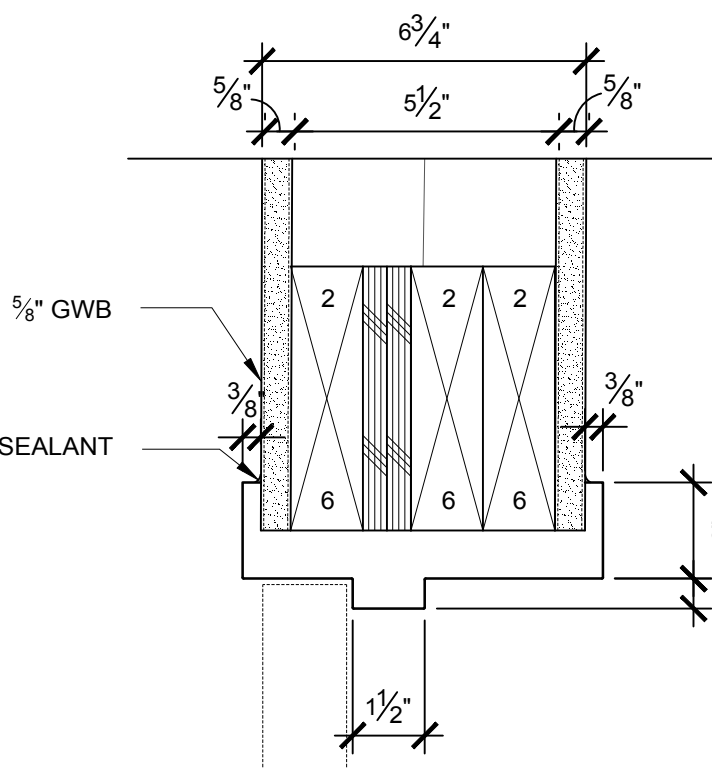
DOOR NO.	LOCATION	MANUF.	STYLE	TYPE	SIZE			FRAME					LABEL	HARDWARE SEE SECTION 08 71 00 - 3.7	NOTES	
					WIDTH	HGT	THK	MATL	MATL	TYPE	HEAD	JAMB				SILL
02A	STAIR ST02		FLUSH METAL	D2	3'-0"	7'-0"	1 3/4"	MTL	HM	F-2	4/A602	5/A602		7 1/2"	60 MIN	
03A	STAIR ST03		FLUSH METAL	D2	3'-0"	7'-0"	1 3/4"	MTL	HM	F-2	4/A602	5/A602		7 1/2"	60 MIN	
101A	ENTRY 101		FULL LITE ALUM.		SEE EXTERIOR WINDOW TYPE				ALUM.	SEE A621 AND A622						AUTOMATIC OPERATOR, CARD READER (CR)
101B	ENTRY 101		FULL LITE ALUM.		SEE EXTERIOR WINDOW TYPE				ALUM.	SEE A621 AND A622						ELEC. OPENER (MOUNT BUTTON ON MULLION ADJ TO DOOR), CR
102	MEETING 102	WILSON	FULL LITE ALUM.		SEE EXTERIOR WINDOW TYPE				ALUM.	SEE A621 AND A622						
104	KITCHEN 104		DBL FLUSH	D5	6'-3"	8'-0"	1 3/4"	WD/SC	N/A		6/A602		7/A602			RECESSED TRACK TOP AND BOTTOM, CUSTOM PULLS
105	CAFE 105		FULL LITE ALUM.		SEE EXTERIOR WINDOW TYPE				ALUM.	SEE A621 AND A622						CARD READER
106	MEETING		FULL LITE ALUM.		SEE INTERIOR WINDOW TYPE				ALUM.	SEE A603 AND A604						
107	STORAGE		FLUSH VENEER	D3	3'-0"	7'-0"	1 3/4"	WD/SC	HM	F-1	2/A602	1/A602		7 1/2"		
108A	MULTI-PURPOSE 108		FULL LITE ALUM.		SEE EXTERIOR WINDOW TYPE				ALUM.	SEE A621 AND A622						
108B	MULTI-PURPOSE 108		FULL LITE ALUM.		SEE INTERIOR WINDOW TYPE				ALUM.	SEE A603 AND A604						
109A	CONFERENCE 109		FULL LITE ALUM.		SEE EXTERIOR WINDOW TYPE				ALUM.	SEE A621 AND A622						
109B	CONFERENCE 109		FULL LITE ALUM.		SEE INTERIOR WINDOW TYPE				ALUM.	SEE A603 AND A604						
110A	MUDROOM 110		FULL LITE ALUM.		SEE EXTERIOR WINDOW TYPE				ALUM.	SEE A621 AND A622						ELEC. OPENER, CARD READER
110B	MUDROOM 110		FULL LITE ALUM.		SEE EXTERIOR WINDOW TYPE				ALUM.	SEE A621 AND A622						
111	HALL 111		FULL LITE ALUM.		SEE INTERIOR WINDOW TYPE				ALUM.	SEE A621 AND A622						CARD READER
112	RESTROOM 112		FLUSH	D1	3'-0"	7'-0"	1 3/4"	WD / SC	HM	F-1	2/A602	1/A602		7 1/2"		
112A	RESTROOM 112A		FLUSH	D4				WD / SC	HM	F-1	2/A602	1/A602		7 1/2"		
112B	RESTROOM 112B		FLUSH	D4				WD / SC	HM	F-1	2/A602	1/A602		7 1/2"		
113	RESTROOM 113		FLUSH	D1	3'-0"	7'-0"	1 3/4"	WD / SC	HM	F-1	2/A602	1/A602		7 1/2"		
113A	RESTROOM 113A		FLUSH	D4	2'-10"	7'-0"	1 3/4"	WD / SC	HM	F-1	2/A602	1/A602		7 1/2"		
114A	W/C 114		FLUSH	D1	3'-0"	7'-0"	1 3/4"	WD / SC	HM	F-1	2/A602	1/A602		7 1/2"		
114B	WELLNESS 114B		FLUSH	D1	3'-0"	7'-0"	1 3/4"	WD / SC	HM	F-1	2/A602	1/A602		7 1/2"		
115	MAIL 115		FLUSH	D1	3'-6"	7'-0"	1 3/4"	WD / SC	HM	F-1	2/A602	1/A602		7 1/2"		
116	FITNESS 116		FULL LITE ALUM.		SEE EXTERIOR WINDOW TYPE				ALUM.	SEE A621 AND A622						CARD READER
117A	MDF + SERVER 117		FLUSH	D3	3'-0"	7'-0"	1 3/4"	WD / SC	HM	F-1	2/A602	1/A602		7 1/2"		CARD READER
117B	MDF + SERVER 117		FLUSH	D3	3'-0"	7'-0"	1 3/4"	WD / SC	HM	F-1	2/A602	1/A602		7 1/2"		
118	STORAGE 118		FLUSH	D3	3'-6"	7'-0"	1 3/4"	WD / SC	HM	F-1	2/A602	1/A602		7 1/2"	45 MIN	
119	SHOWER 119		FLUSH	D1	3'-0"	7'-0"	1 3/4"	WD / SC	HM	F-1	2/A602	1/A602		7 1/2"		
120	SHOWER 120		FLUSH	D1	3'-0"	7'-0"	1 3/4"	WD / SC	HM	F-1	2/A602	1/A602		7 1/2"		
121	SHOWER 121		FLUSH	D1	3'-0"	7'-0"	1 3/4"	WD / SC	HM	F-1	2/A602	1/A602		7 1/2"		
122	SHOWER 122		FLUSH	D1	3'-0"	7'-0"	1 3/4"	WD / SC	HM	F-1	2/A602	1/A602		7 1/2"		
123	SPRINKLER 123		FLUSH	D3	3'-0"	7'-0"	1 3/4"	MTL	HM	F-1	2/A602	1/A602		7 1/2"		
124	ELECTRICAL 124		FLUSH	D3	3'-0"	7'-0"	1 3/4"	WD / SC	HM	F-1	2/A602	1/A602		7 1/2"		
127	JANITOR 127		FLUSH	D3	3'-0"	7'-0"	1 3/4"	WD / SC	HM	F-1	2/A602	1/A602		7 1/2"		
128	JANITOR 128		FLUSH	D3	3'-0"	7'-0"	1 3/4"	WD / SC	HM	F-1	2/A602	1/A602		7 1/2"		
129	ELEVATOR SHAFT		FLUSH	D3	3'-0"	7'-0"	1 3/4"	WD / SC	HM	F-1	2/A602	1/A602		7 1/2"	60 MIN	ELEV. SHAFT ACCESS
02B	STAIR ST02		FLUSH	D2	3'-0"	7'-0"	1 3/4"	MTL	HM	F-1	2/A602	1/A602		7 1/2"	60 MIN	
03B	STAIR ST03		FLUSH	D2	3'-0"	7'-0"	1 3/4"	MTL	HM	F-1	2/A602	1/A602		7 1/2"	60 MIN	
201	PRESIDENTS OFFICE 201		FULL LITE ALUM.		SEE INTERIOR WINDOW TYPE				ALUM.	SEE A603 AND A604						
202	OFFICE 202		FULL LITE ALUM.		SEE INTERIOR WINDOW TYPE				ALUM.	SEE A603 AND A604						
203	RESTROOM 203		FLUSH	D1	3'-0"	7'-0"	1 3/4"	WD / SC	HM	F-1	2/A602	1/A602		7 1/2"		
203A	RESTROOM 203A		FLUSH	D4				WD / SC	HM	F-1	2/A602	1/A602		7 1/2"		
203B	RESTROOM 203B		FLUSH	D4				WD / SC	HM	F-1	2/A602	1/A602		7 1/2"		
205	RESTROOM 205		FLUSH	D1	3'-0"	7'-0"	1 3/4"	WD / SC	HM	F-1	2/A602	1/A602		7 1/2"		
206	OFFICE 206		FULL LITE ALUM.		SEE INTERIOR WINDOW TYPE				ALUM.	SEE A603 AND A604						
207	OFFICE 207		FULL LITE ALUM.		SEE INTERIOR WINDOW TYPE				ALUM.	SEE A603 AND A604						
208	ACCOUNTING 208		FULL LITE ALUM.		SEE INTERIOR WINDOW TYPE				ALUM.	SEE A603 AND A604						CARD READER
209	PRINT 209		FULL LITE ALUM.		SEE INTERIOR WINDOW TYPE				ALUM.	SEE A603 AND A604						
210	HUMAN RESOURCES		FULL LITE ALUM.		SEE INTERIOR WINDOW TYPE				ALUM.	SEE A603 AND A604						CARD READER
211	HUDDLE 211		FULL LITE ALUM.		SEE INTERIOR WINDOW TYPE				ALUM.	SEE A603 AND A604						
212A	MEETING 212		FULL LITE ALUM.		SEE INTERIOR WINDOW TYPE				ALUM.	SEE A603 AND A604						
212B	MEETING 212		FULL LITE ALUM.		SEE INTERIOR WINDOW TYPE				ALUM.	SEE A603 AND A604						
213A	MEETING 213		FULL LITE ALUM.		SEE INTERIOR WINDOW TYPE				ALUM.	SEE A603 AND A604						
213B	MEETING 213		FULL LITE ALUM.		SEE INTERIOR WINDOW TYPE				ALUM.	SEE A603 AND A604						
215	HUDDLE 215		FULL LITE ALUM.		SEE INTERIOR WINDOW TYPE				ALUM.	SEE A603 AND A604						
216	SOLO 216		FULL LITE ALUM.		SEE INTERIOR WINDOW TYPE				ALUM.	SEE A603 AND A604						
217	SOLO 217		FULL LITE ALUM.		SEE INTERIOR WINDOW TYPE				ALUM.	SEE A603 AND A604						
218	HUDDLE 218		FULL LITE ALUM.		SEE INTERIOR WINDOW TYPE				ALUM.	SEE A603 AND A604						
219	PRINT 219		FULL LITE ALUM.		SEE INTERIOR WINDOW TYPE				ALUM.	SEE A603 AND A604						
220	JANITOR 220		FLUSH	D3	3'-0"	7'-0"	1 3/4"	WD / SC	HM	F-1	2/A602	1/A602		5 1/2"		
221	OFFICE 221		FULL LITE ALUM.		SEE INTERIOR WINDOW TYPE				ALUM.	SEE A603 AND A604						
222	OFFICE 222		FULL LITE ALUM.		SEE INTERIOR WINDOW TYPE				ALUM.	SEE A603 AND A604						
223	RESTROOM 223		FLUSH	D1	3'-0"	7'-0"	1 3/4"	WD / SC	HM	F-1	2/A602	1/A602		7 1/2"		
223A	RESTROOM 223A		FLUSH	D4												
223B	RESTROOM 223B		FLUSH	D4												
225	W/C 225		FLUSH VENEER/ PNT	D1	3'-0"	7'-0"	1 3/4"	WD / SC	HM	F-1	2/A602	1/A602		7 1/2"		
227	OFFICE 227		FULL LITE ALUM.		SEE INTERIOR WINDOW TYPE				ALUM.	SEE A603 AND A604						
228	OFFICE 228		FULL LITE ALUM.		SEE INTERIOR WINDOW TYPE				ALUM.	SEE A603 AND A604						



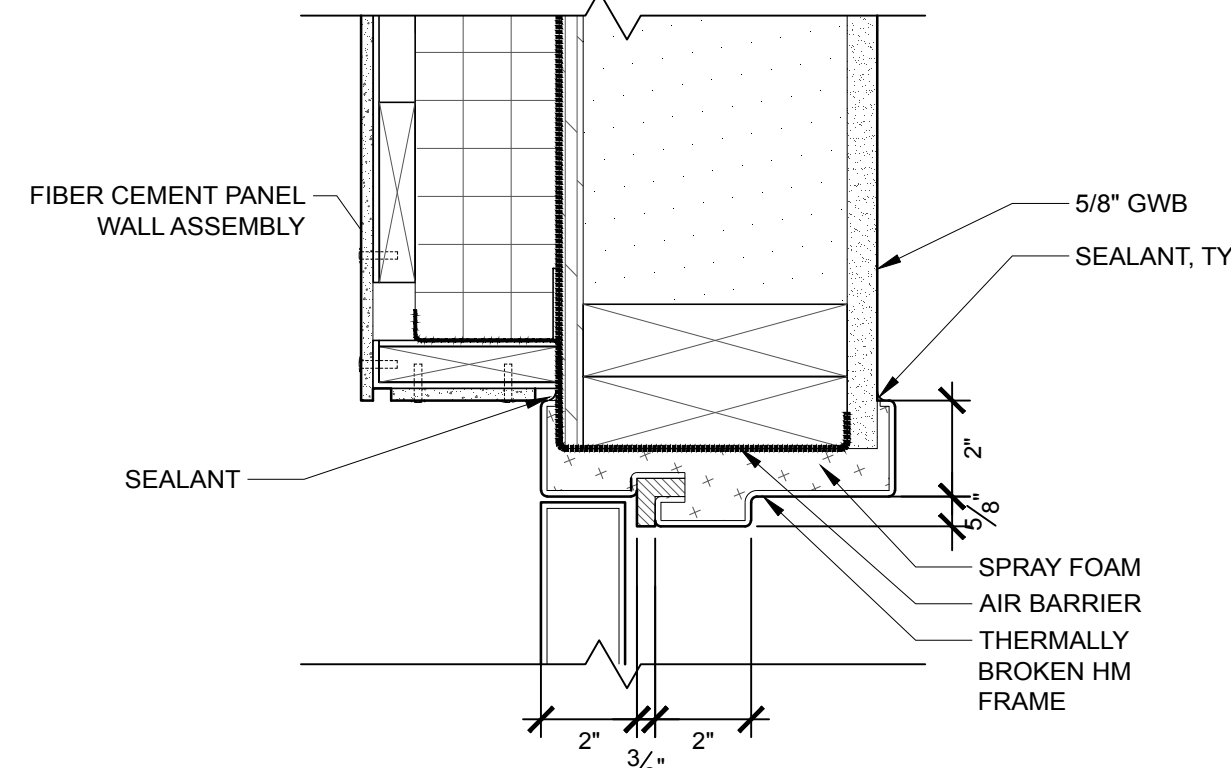
1 Jamb Details  
SCALE: 3" = 1'-0"



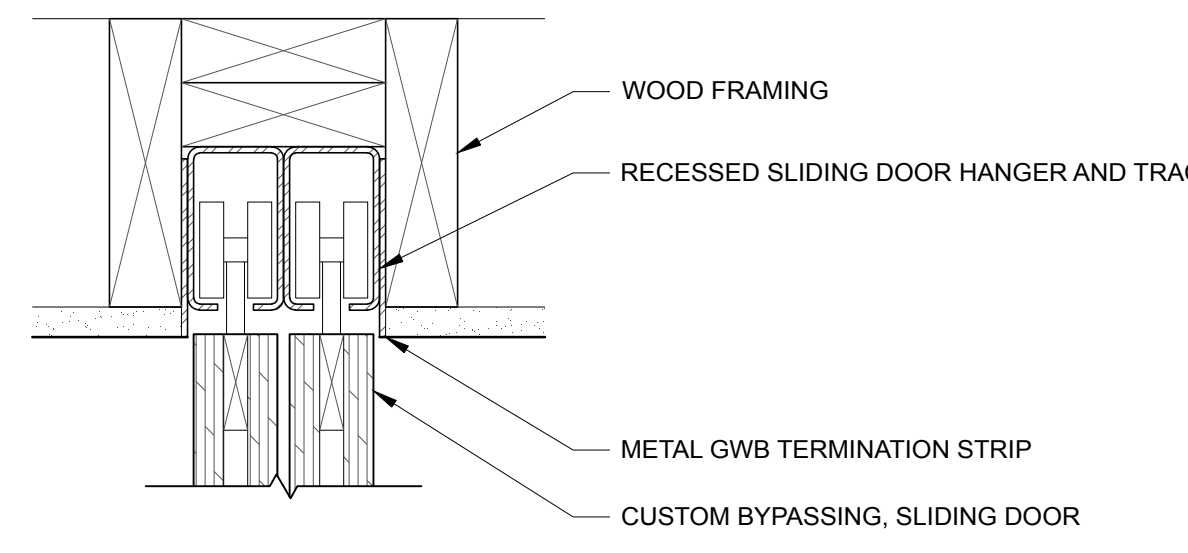
4 Jamb Details  
SCALE: 3" = 1'-0"



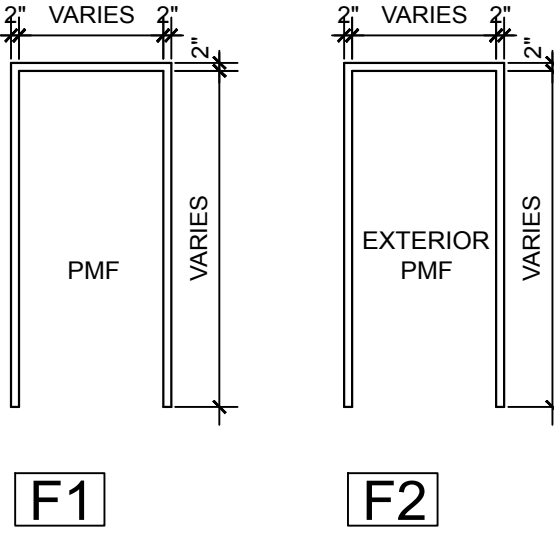
2 Head Details  
SCALE: 3" = 1'-0"



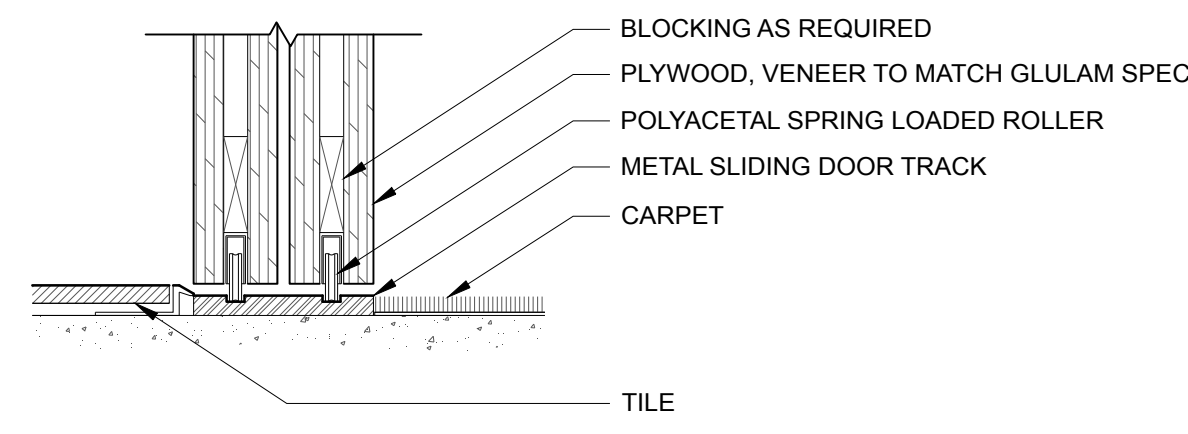
5 Head Details  
SCALE: 3" = 1'-0"



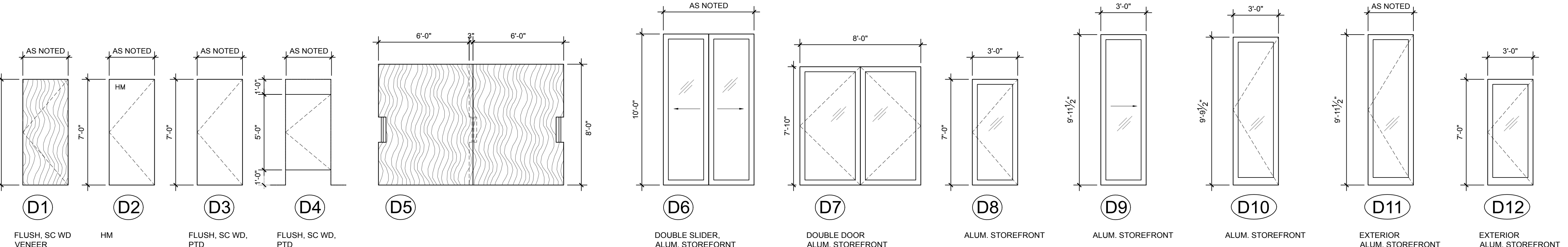
6 DOUBLE POCKET HEAD DETAIL  
SCALE: 3" = 1'-0"



3 Frame Types  
SCALE: 1/4" = 1'-0"



7 DOUBLE POCKET SILL DETAIL  
SCALE: 3" = 1'-0"



6 Door Types  
SCALE: 1/4" = 1'-0"