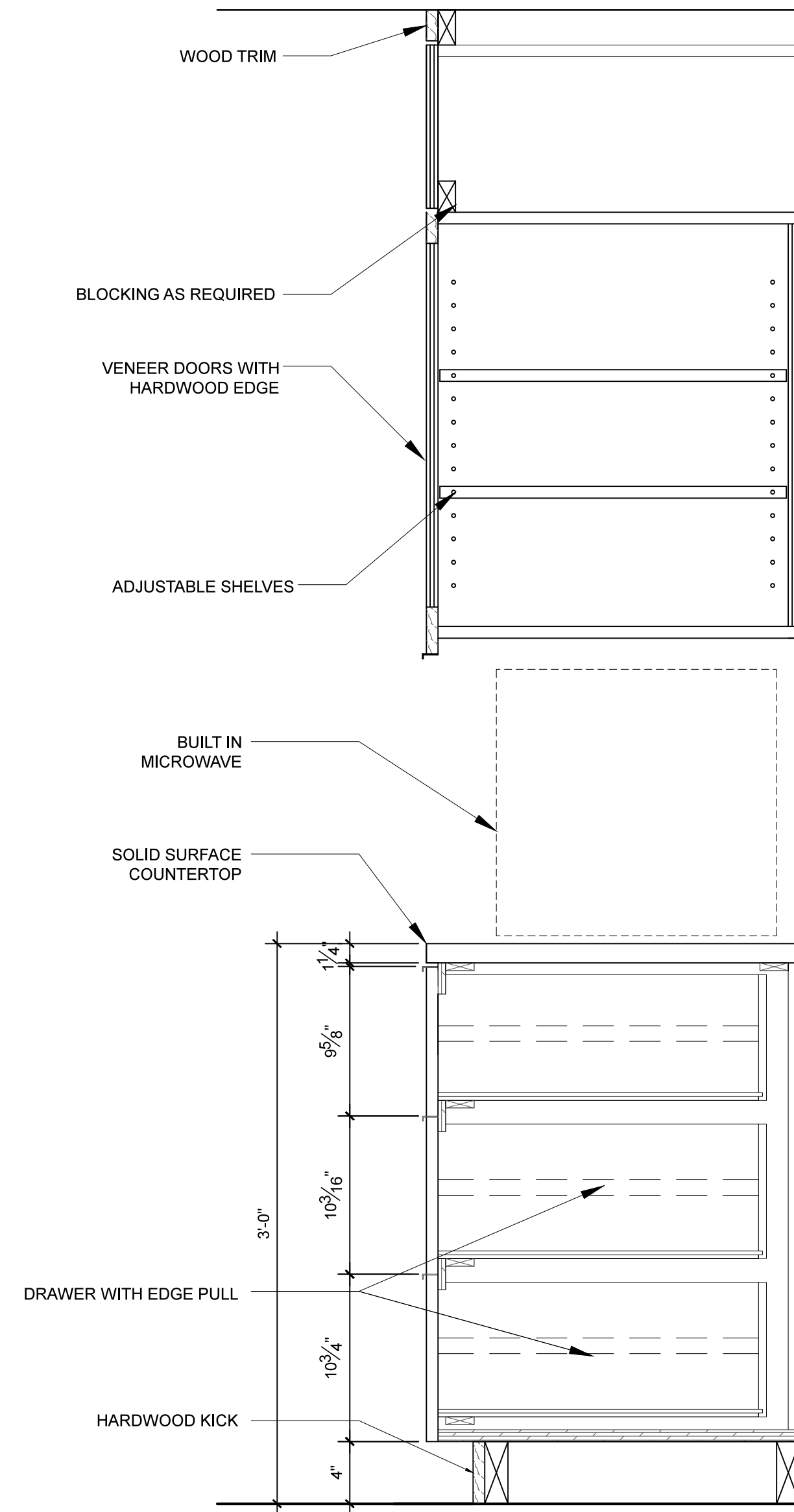
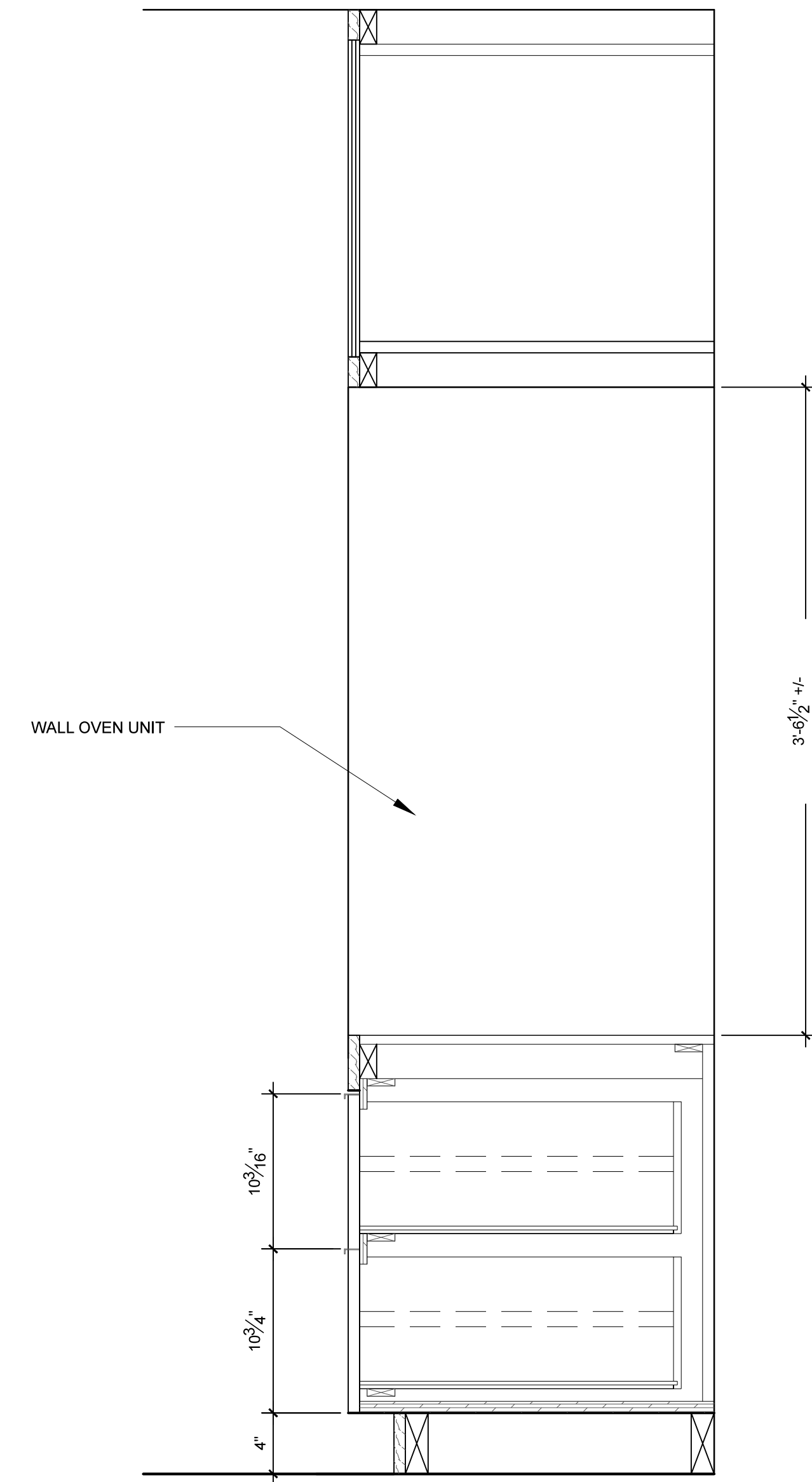


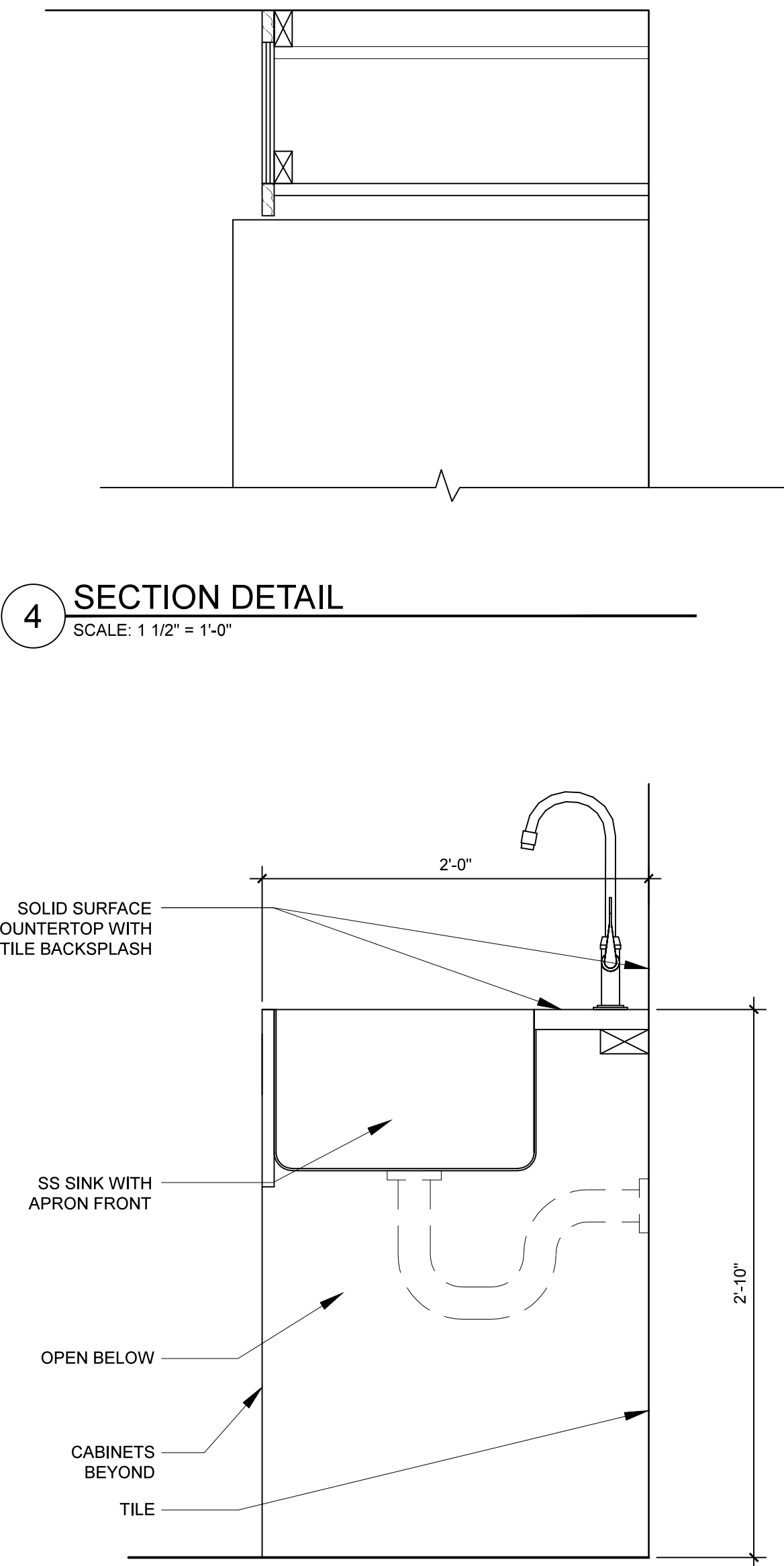
**1 SECTION DETAIL**  
SCALE: 1 1/2" = 1'-0"



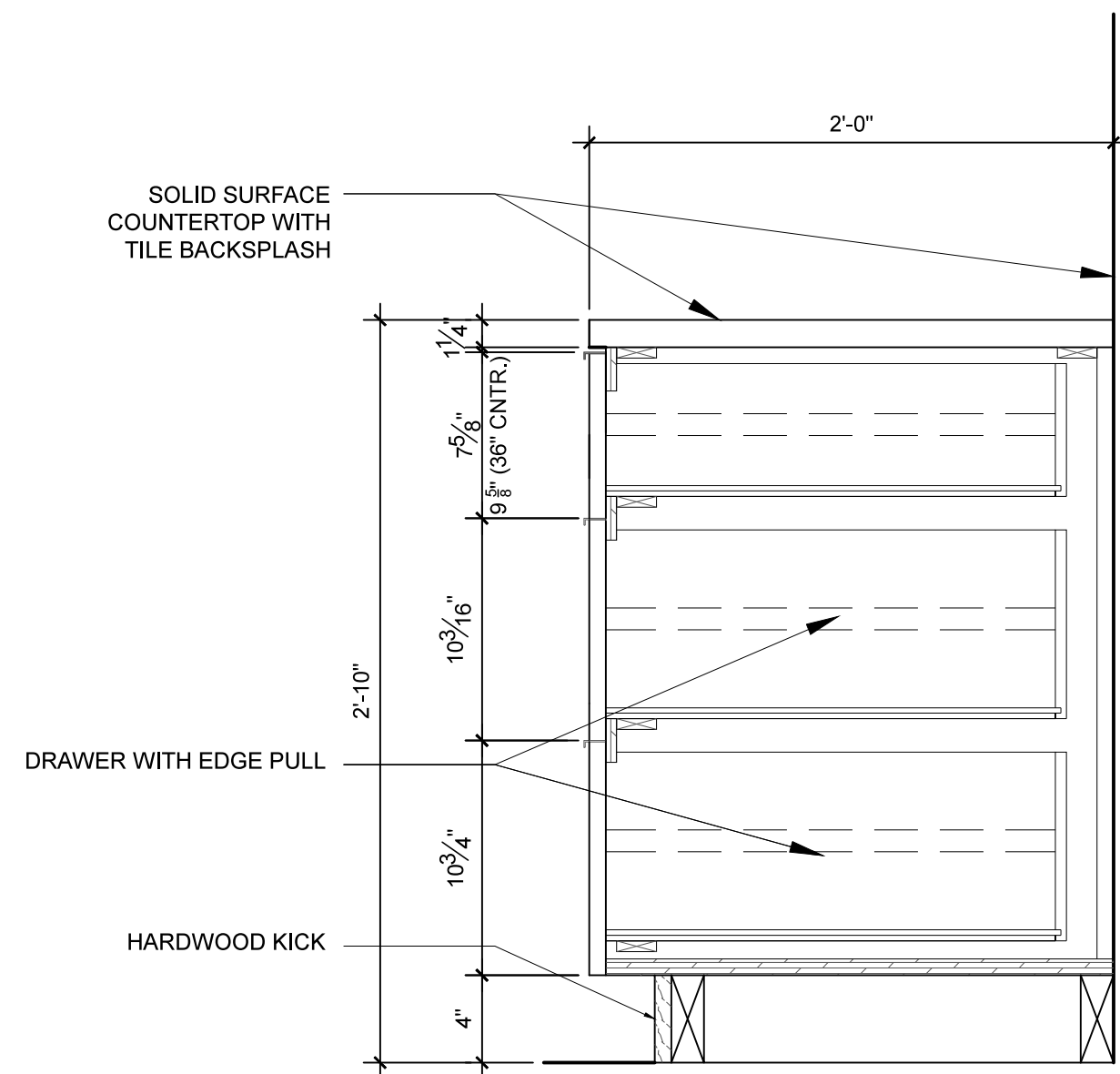
**2 SECTION DETAIL**  
SCALE: 1 1/2" = 1'-0"



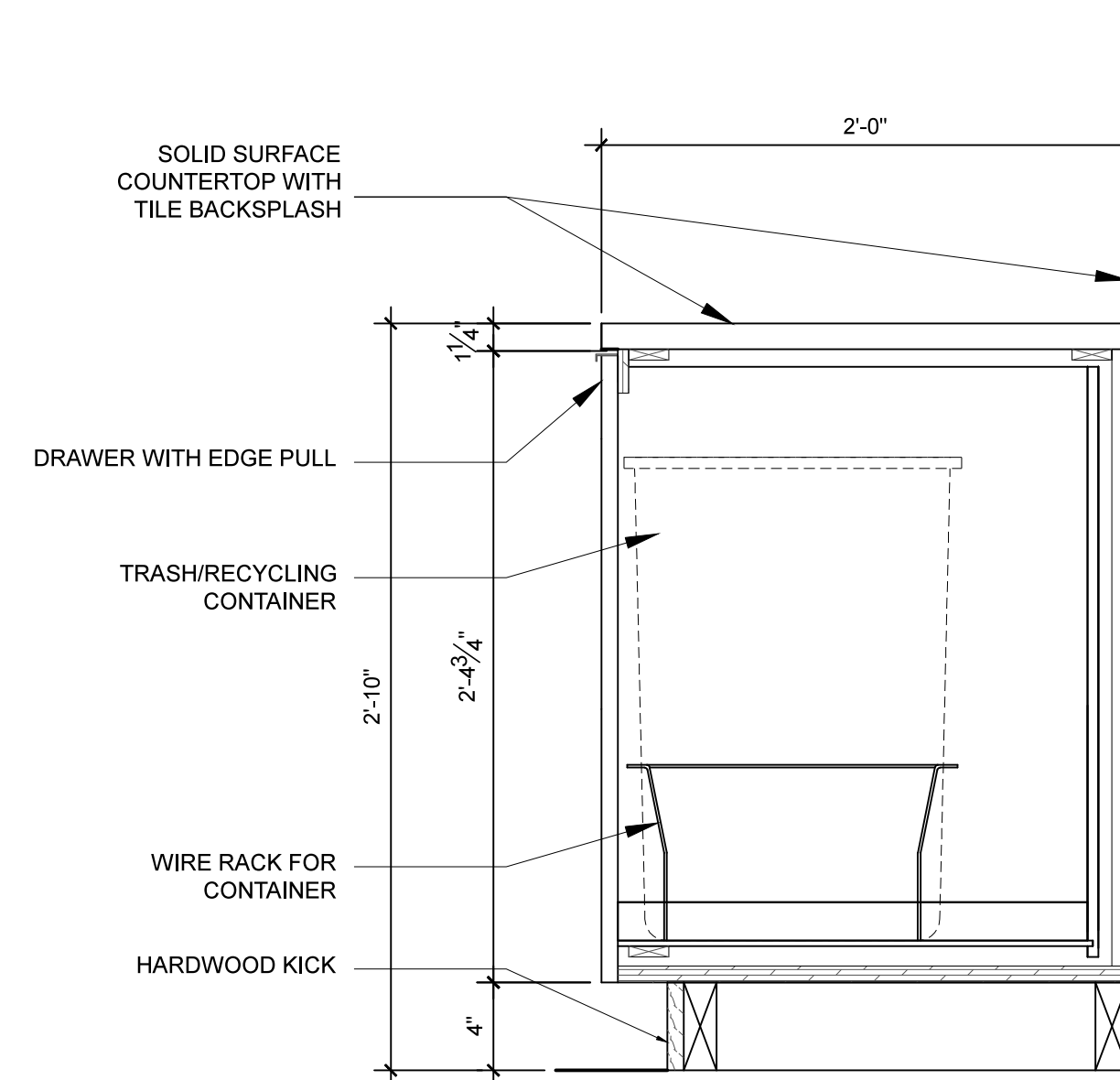
**3 SECTION DETAIL**  
SCALE: 1 1/2" = 1'-0"



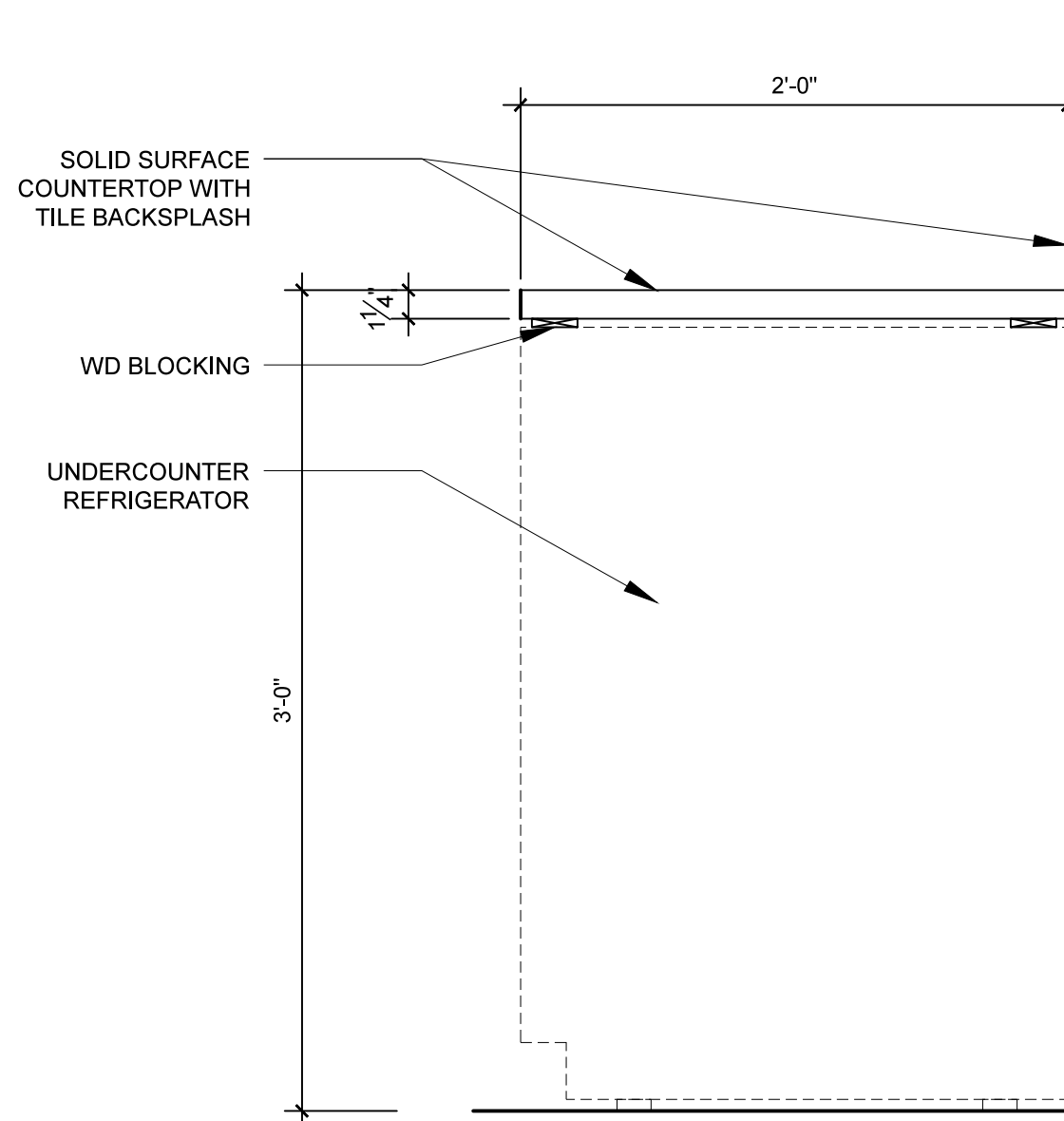
**4 SECTION DETAIL**  
SCALE: 1 1/2" = 1'-0"



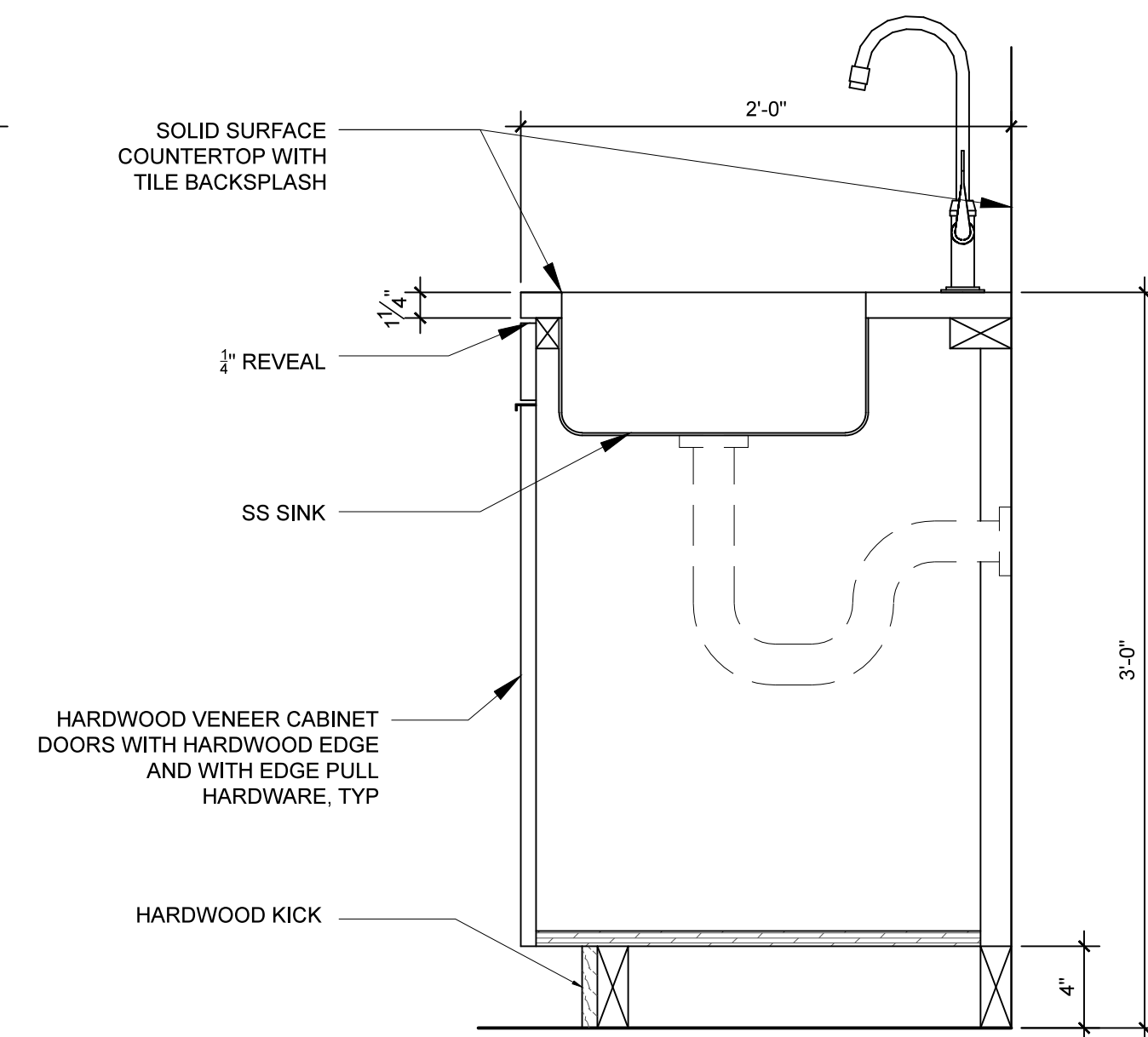
**6 SECTION DETAIL**  
SCALE: 1 1/2" = 1'-0"



**7 SECTION DETAIL**  
SCALE: 1 1/2" = 1'-0"



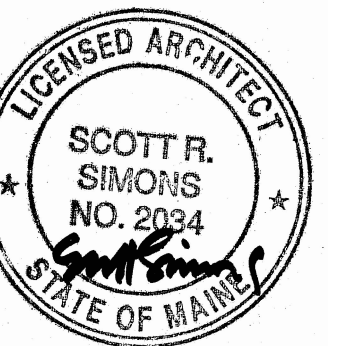
**8 SECTION DETAIL**  
SCALE: 1 1/2" = 1'-0"



**9 SECTION DETAIL**  
SCALE: 1 1/2" = 1'-0"

PROJECT NAME:  
**PATRONS OXFORD OFFICES**  
97 TECHNOLOGY PARK DRIVE  
PORTLAND, MAINE 04102  
UNITED STATES OF AMERICA

SEAL:



THIS DRAWING IS THE PROPERTY OF SCOTT SIMONS ARCHITECTS (SSA) AND IS NOT TO BE COPIED OR REPRODUCED IN PART OR WHOLE 2016 © SCOTT SIMONS ARCHITECTS, LLC

REVISION:

NO.	DATE
1	DATE
2	DATE
3	DATE
4	DATE
5	DATE
6	DATE

DATE OF ISSUE: 14 JANUARY 2016  
PROJECT NUMBER: 2105-0100 PATRONS OXFORD  
STATUS: CONSTRUCTION DOCUMENTS

**MILLWORK DETAILS**

**A527**