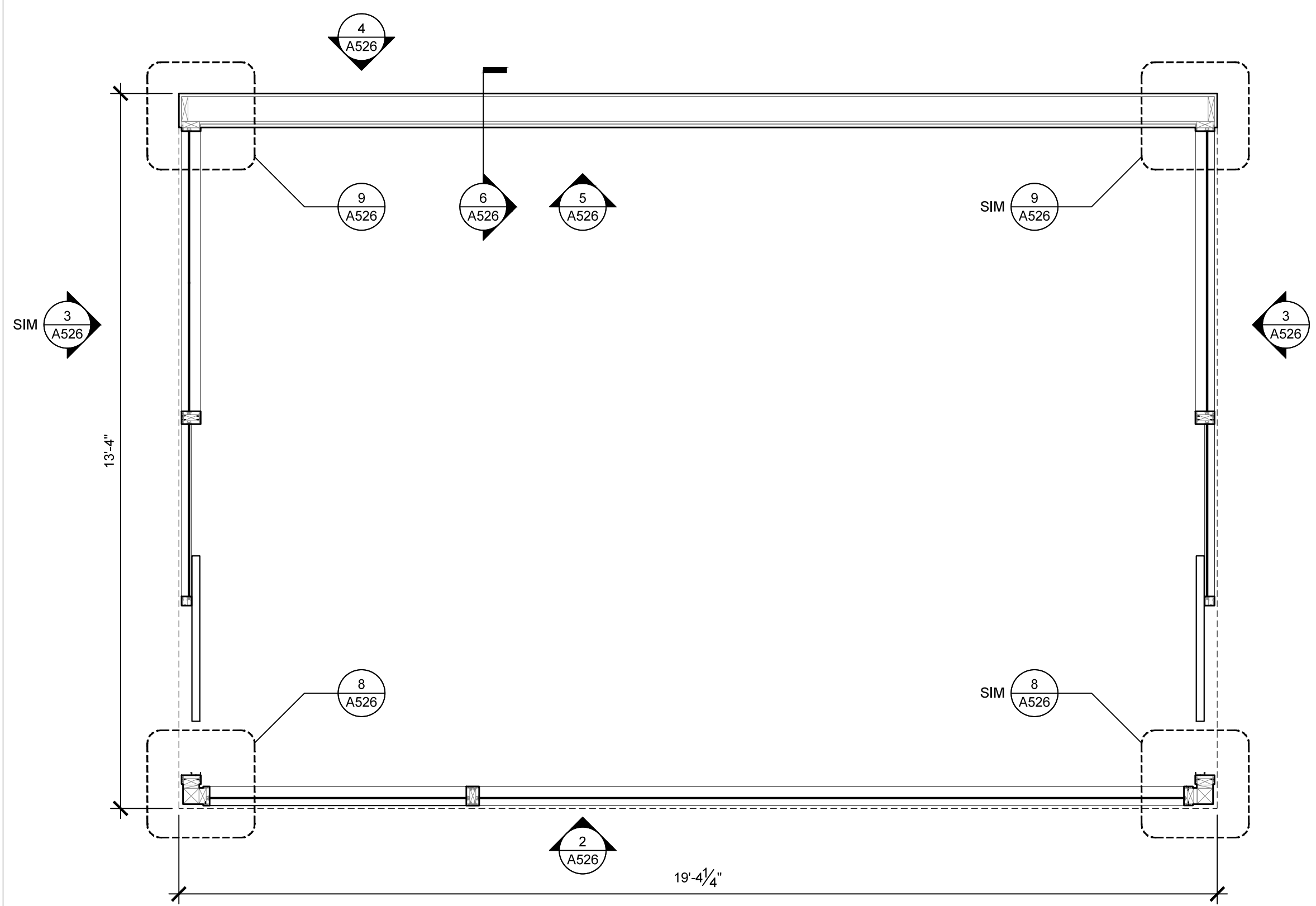
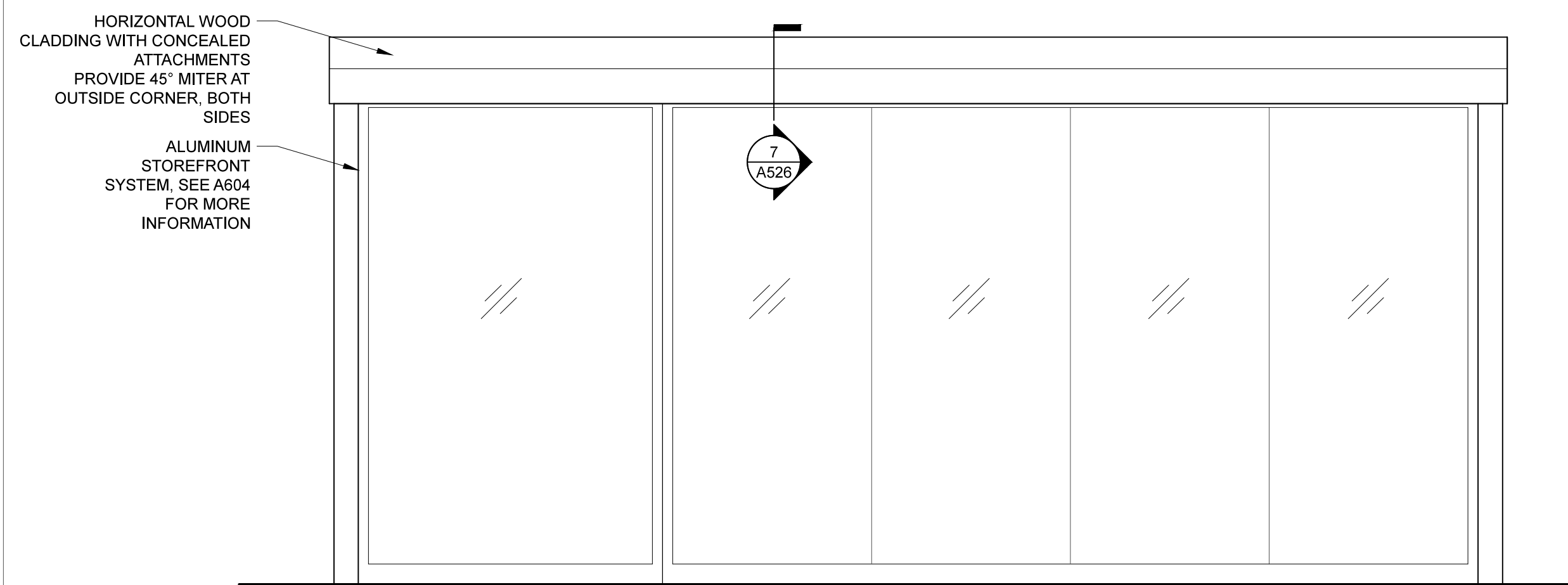


REVISION:

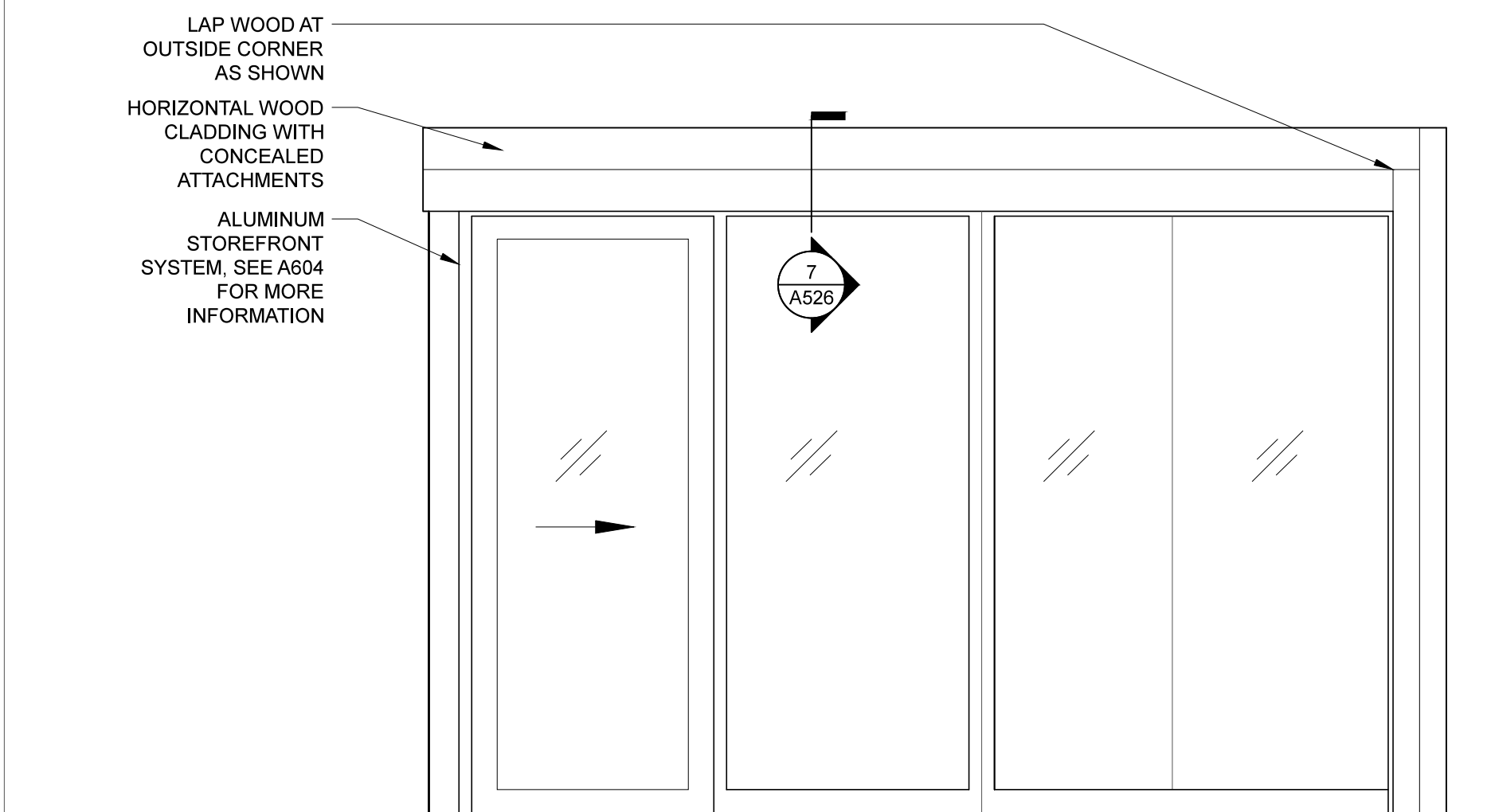
1	DATE
2	DATE
3	DATE
4	DATE
5	DATE
6	DATE



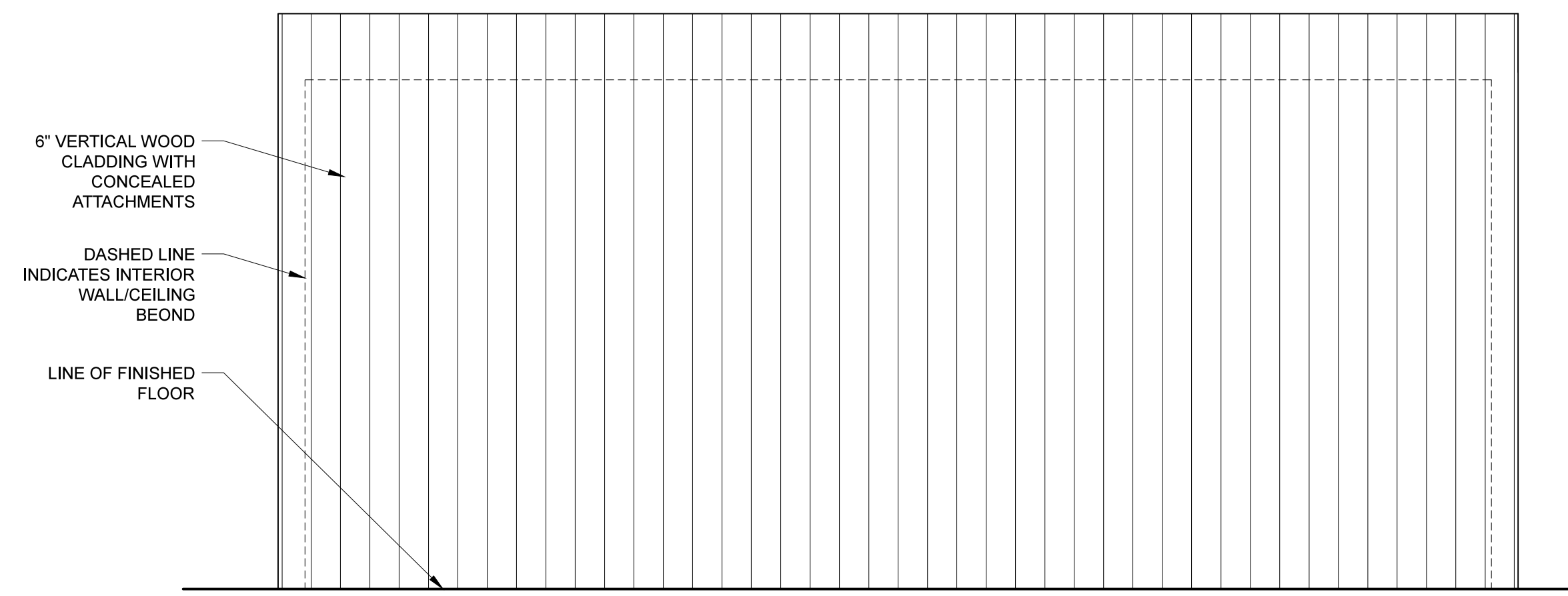
**1 MEETING 213 ENLARGED FLOOR PLAN**  
SCALE: 1/2" = 1'-0"



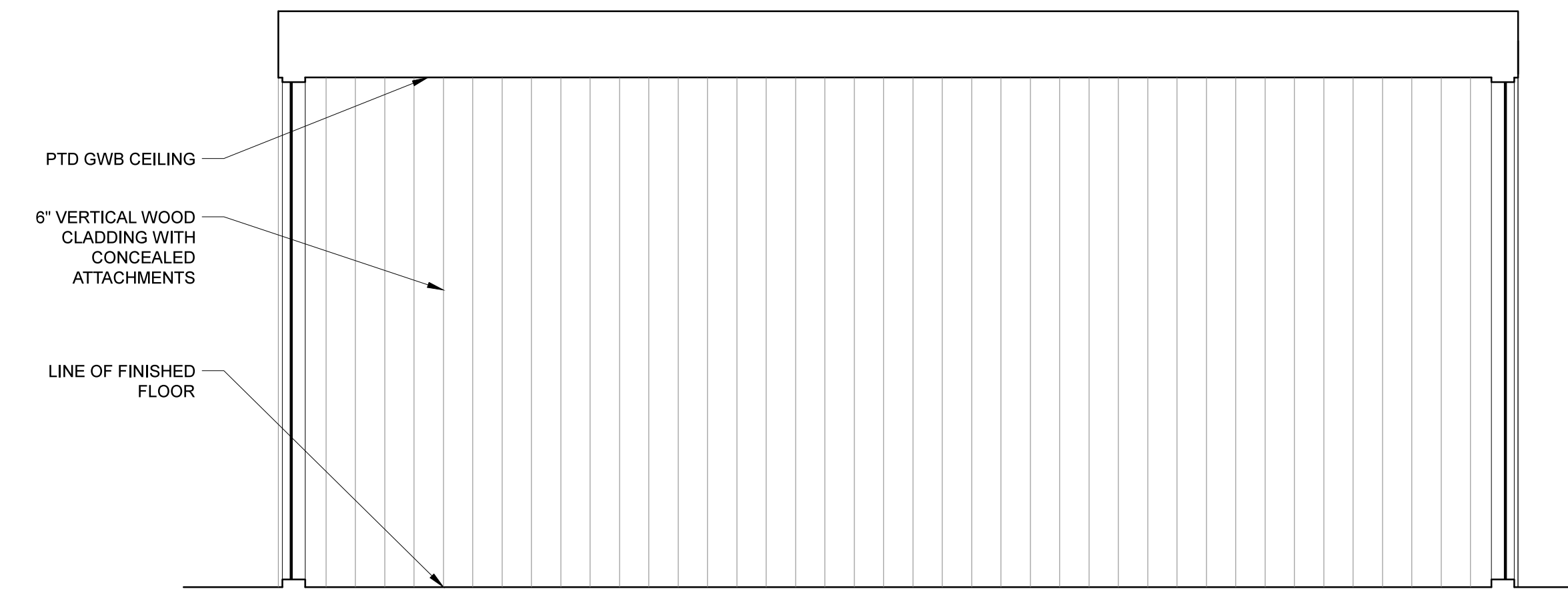
**2 MEETING 213 ENLARGED FLOOR PLAN**  
SCALE: 1/2" = 1'-0"



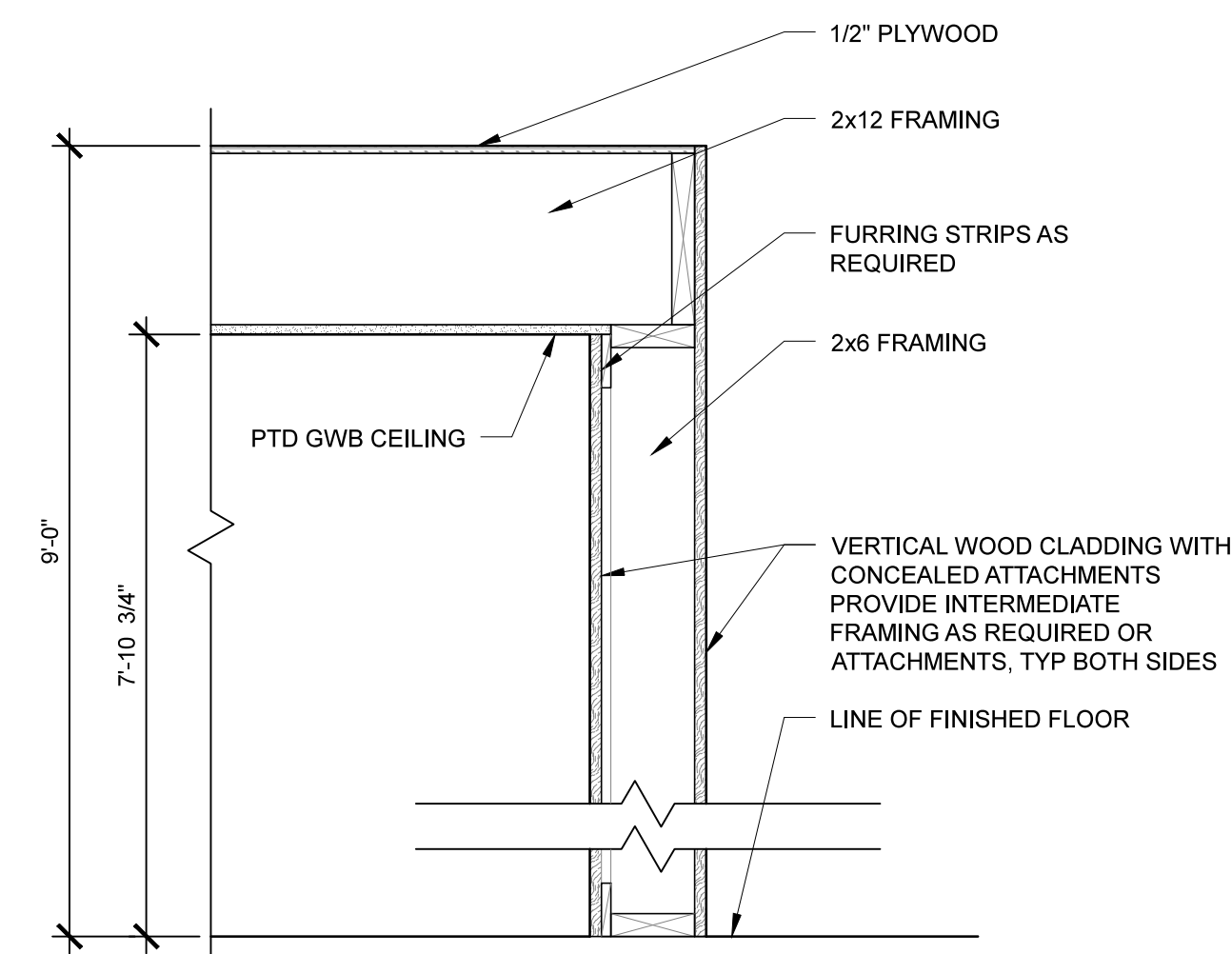
**3 MEETING 213 ENLARGED FLOOR PLAN**  
SCALE: 1/2" = 1'-0"



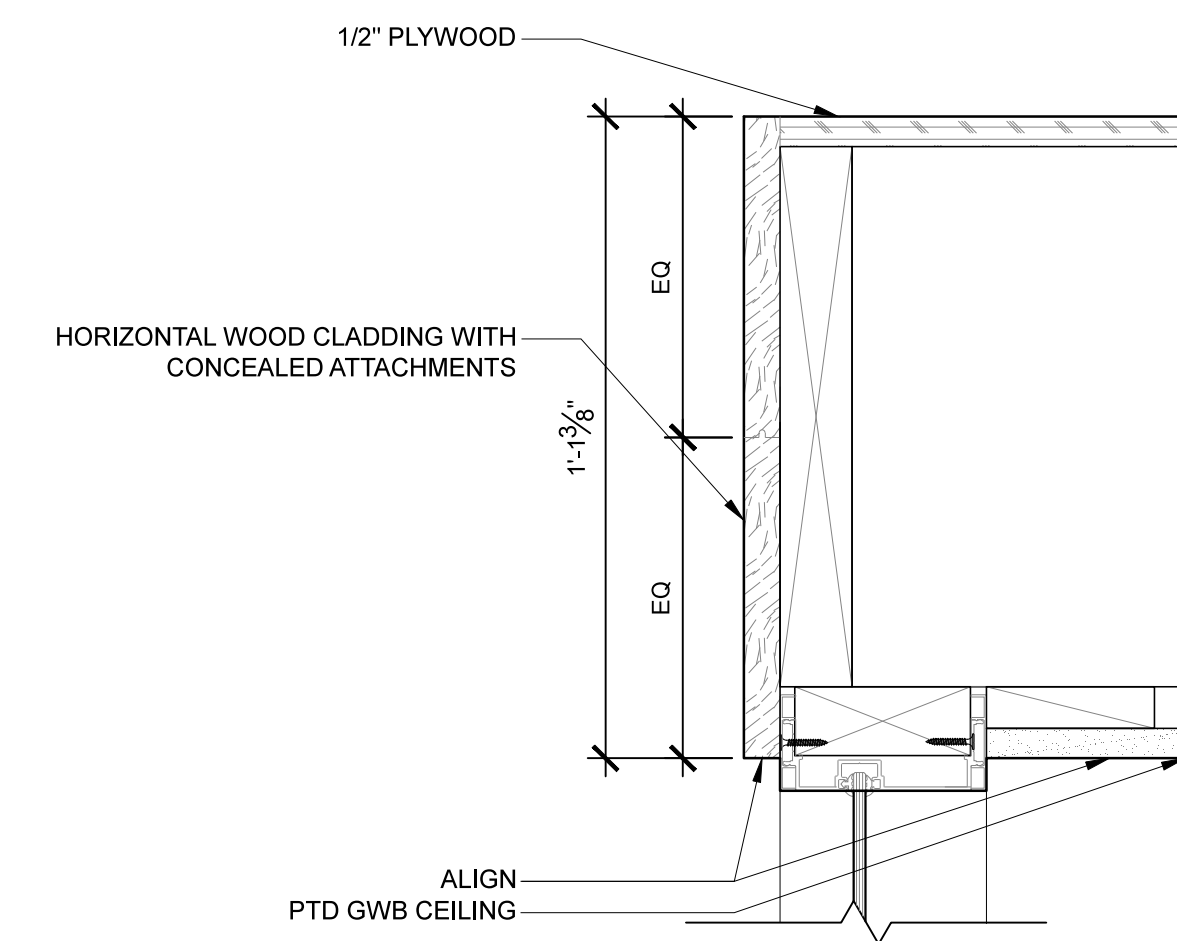
**4 MEETING 213 ELEVATION**  
SCALE: 1/2" = 1'-0"



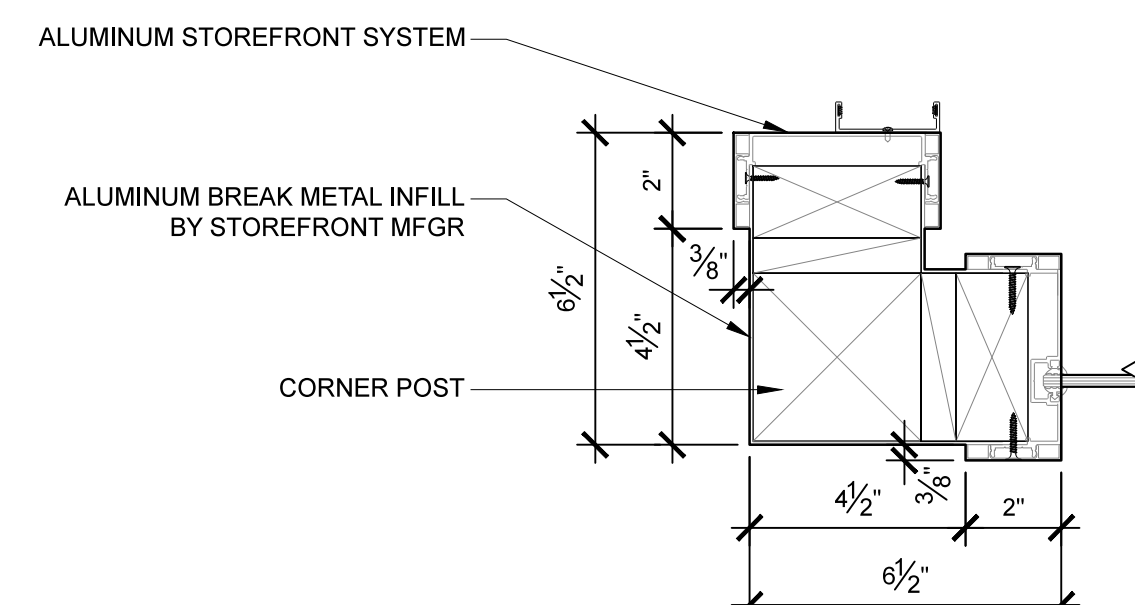
**5 MEETING 213 ELEVATION**  
SCALE: 1/2" = 1'-0"



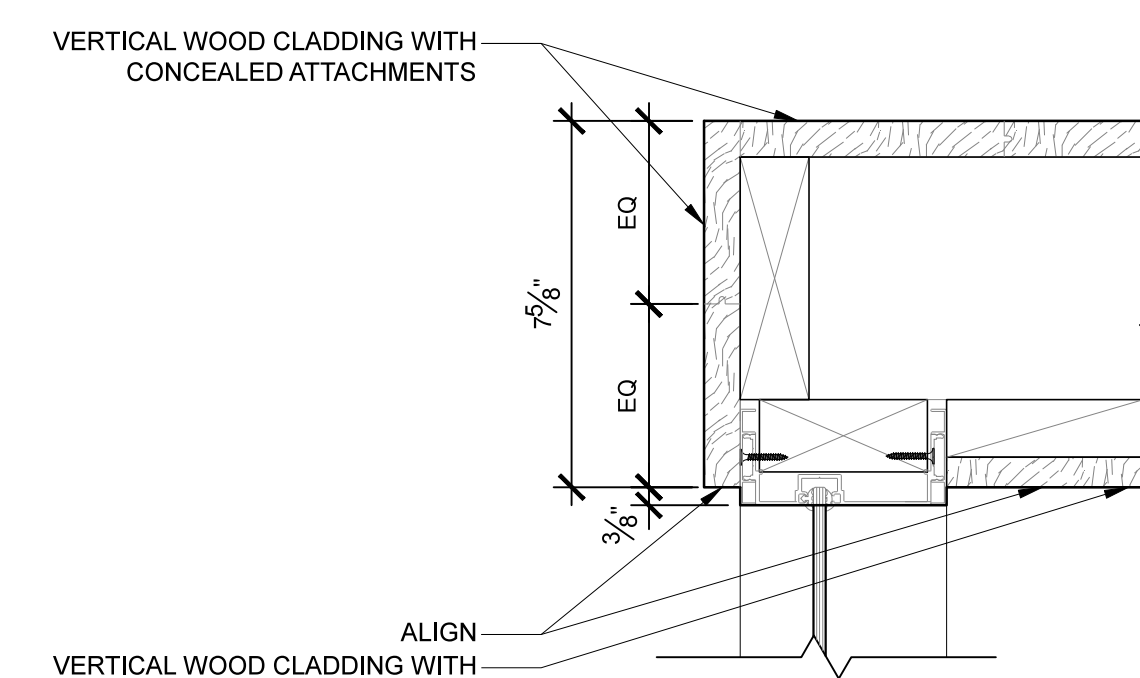
**6 MEETING 213 SECTION DETAIL**  
SCALE: 1" = 1'-0"



**7 MEETING 213 SECTION DETAIL**  
SCALE: 3" = 1'-0"



**8 MEETING 213 PLAN DETAIL**  
SCALE: 3" = 1'-0"



**9 MEETING 213 PLAN DETAIL**  
SCALE: 3" = 1'-0"