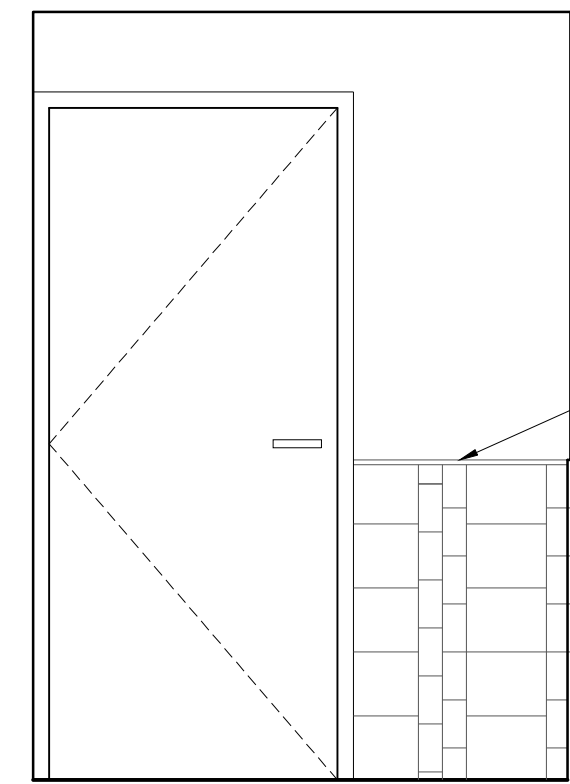
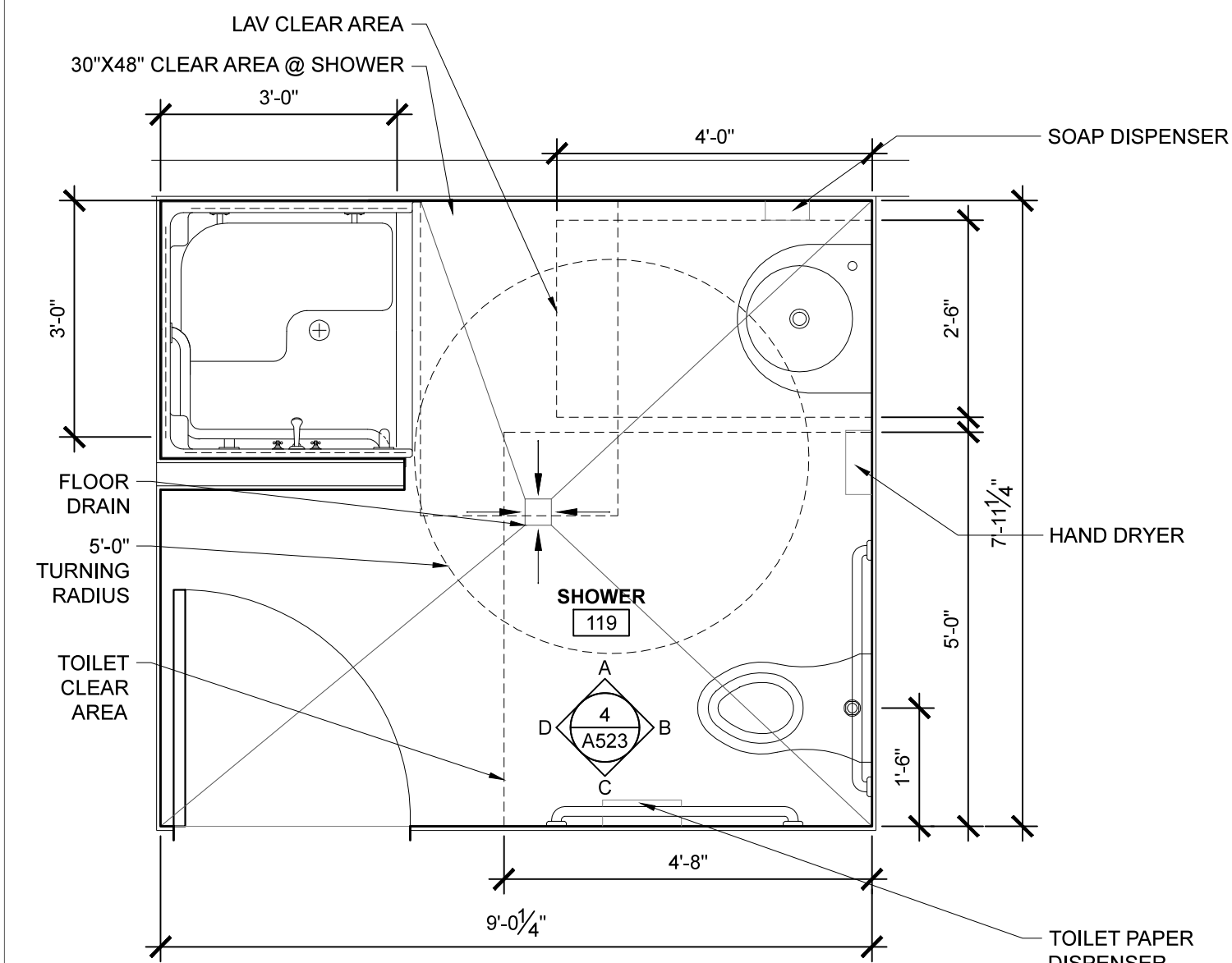
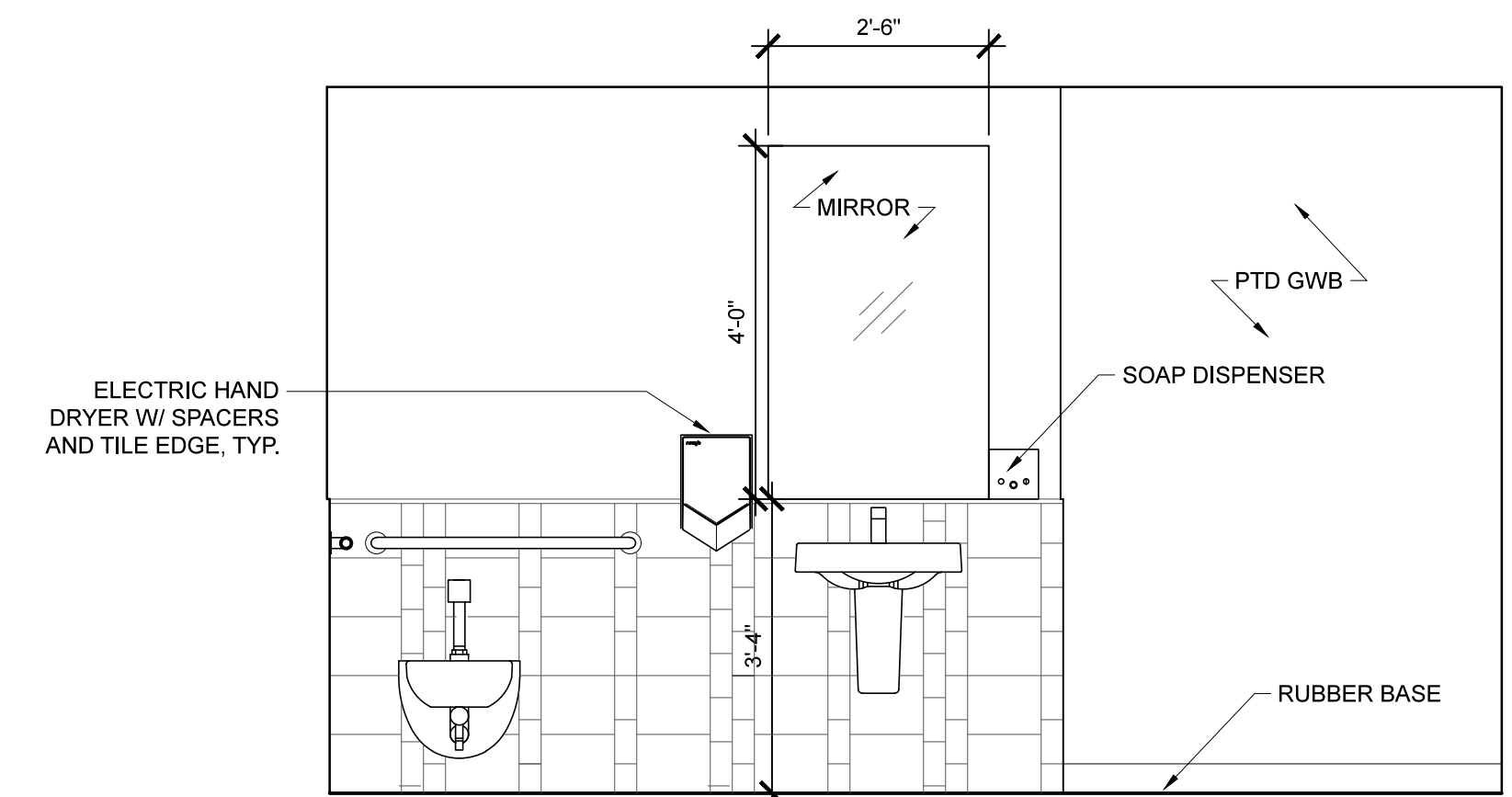
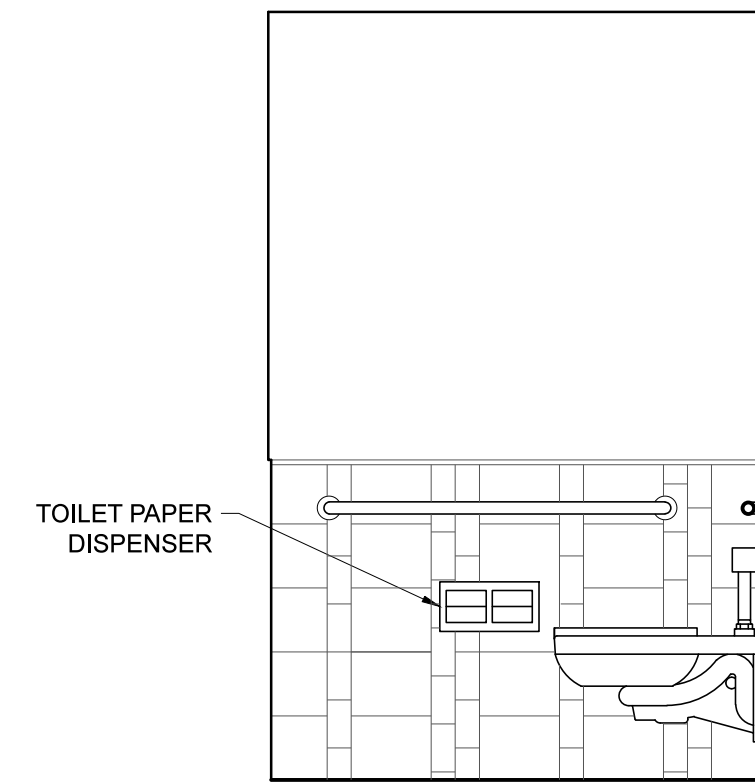
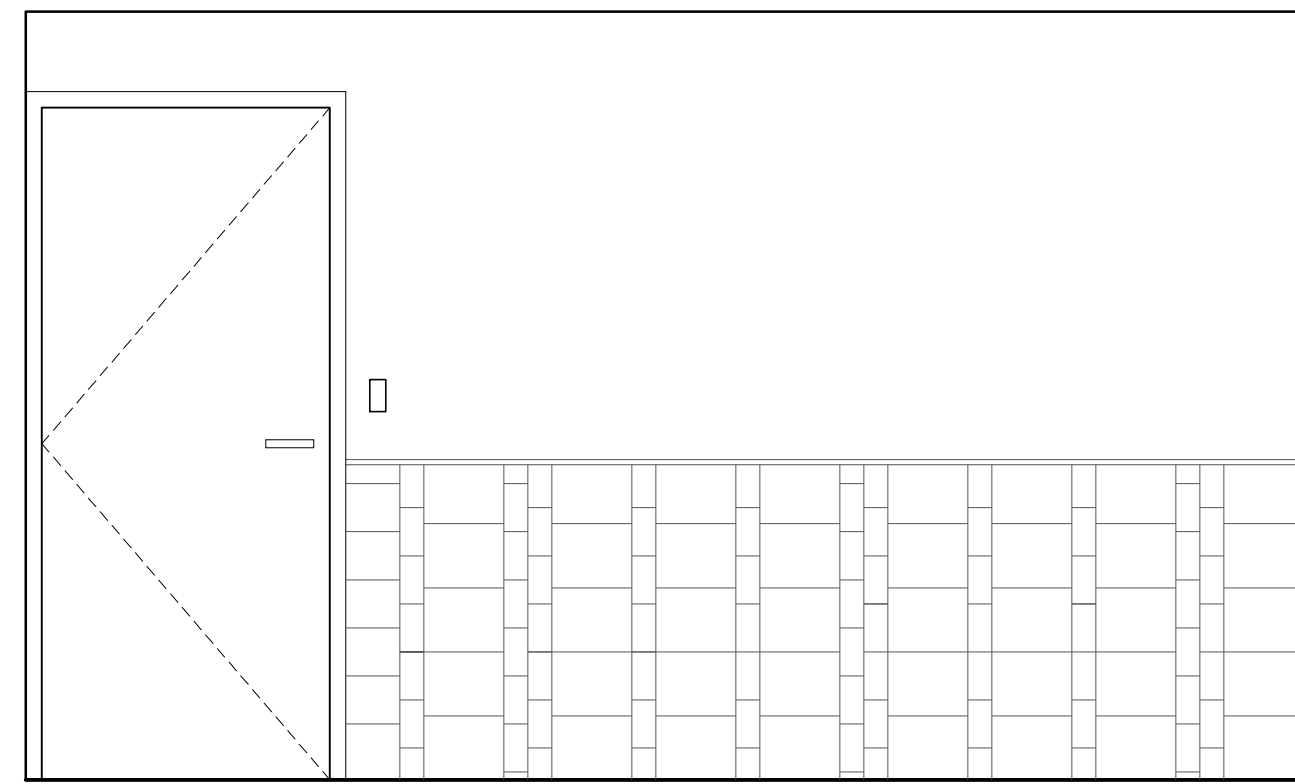


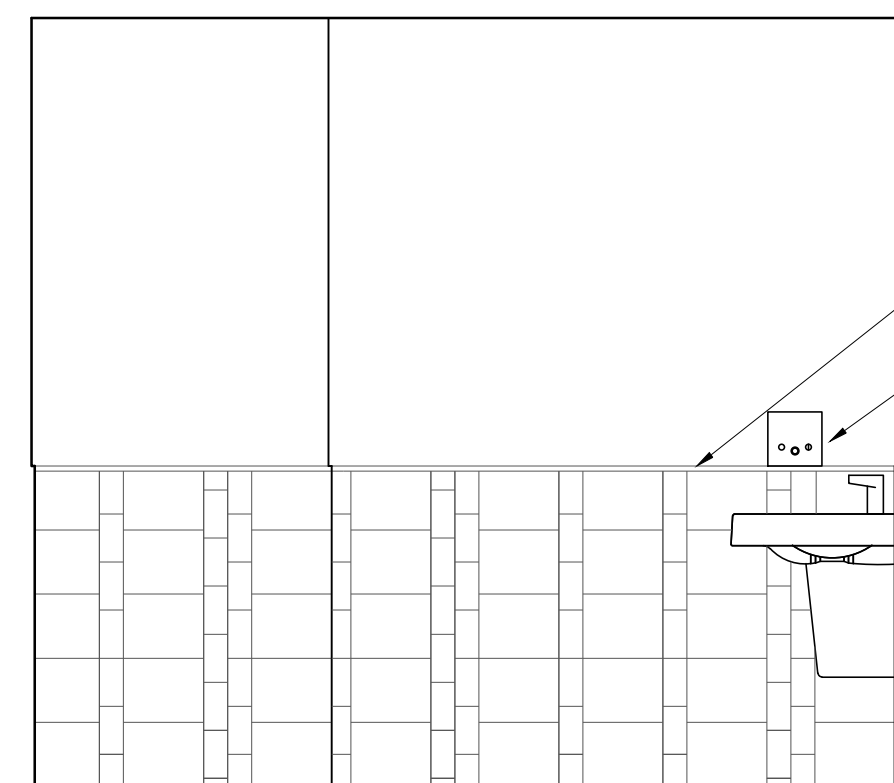
1 ENLARGED PLAN
SCALE: 1/2" = 1'-0"
DIMENSIONS TO FACE OF FINISH



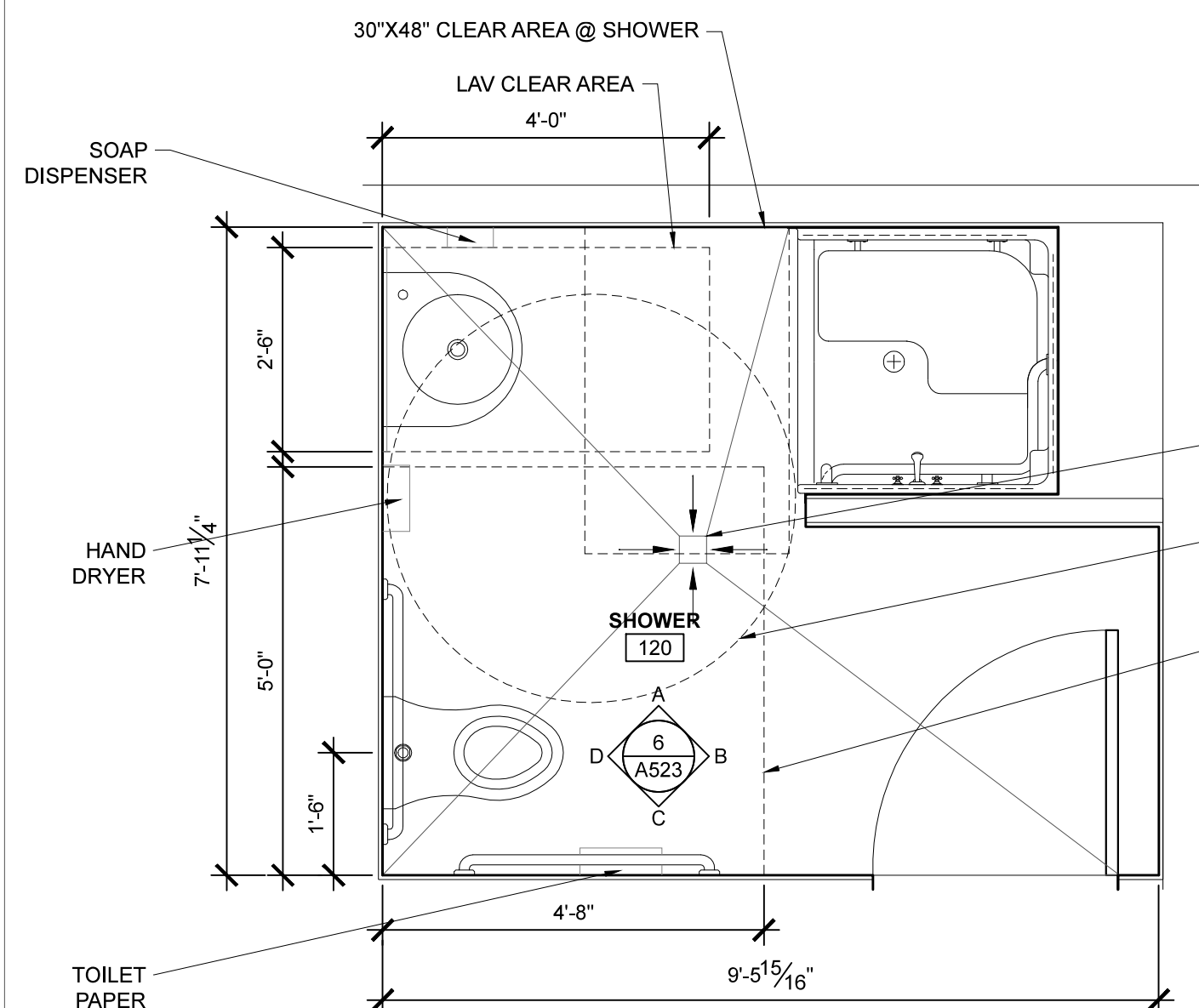
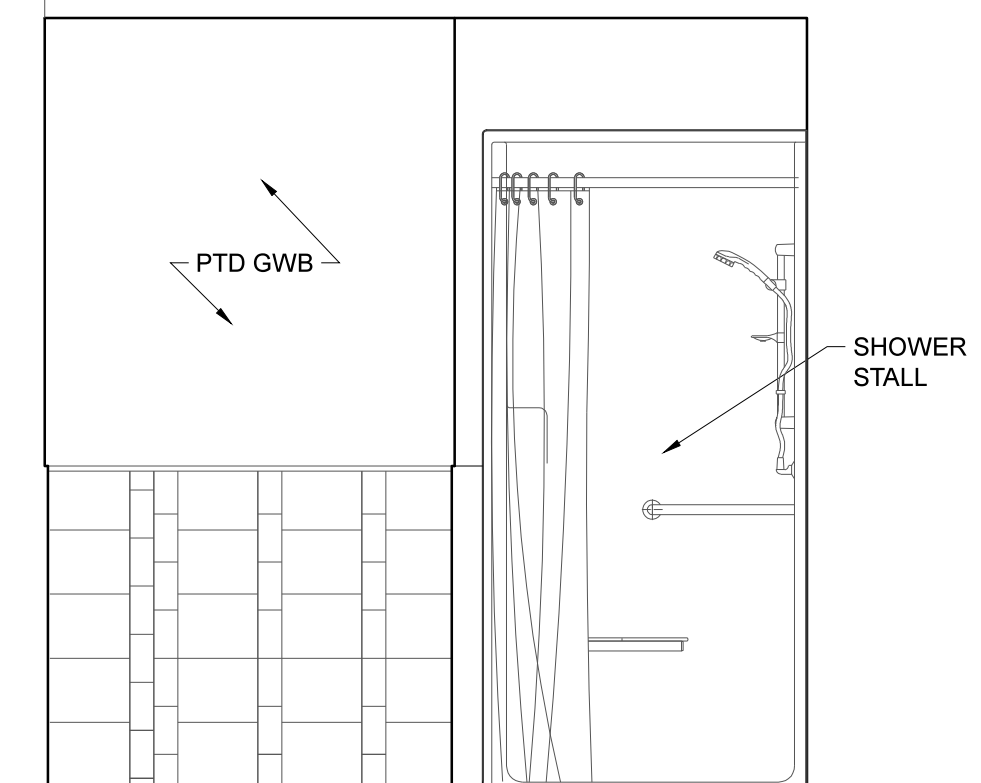
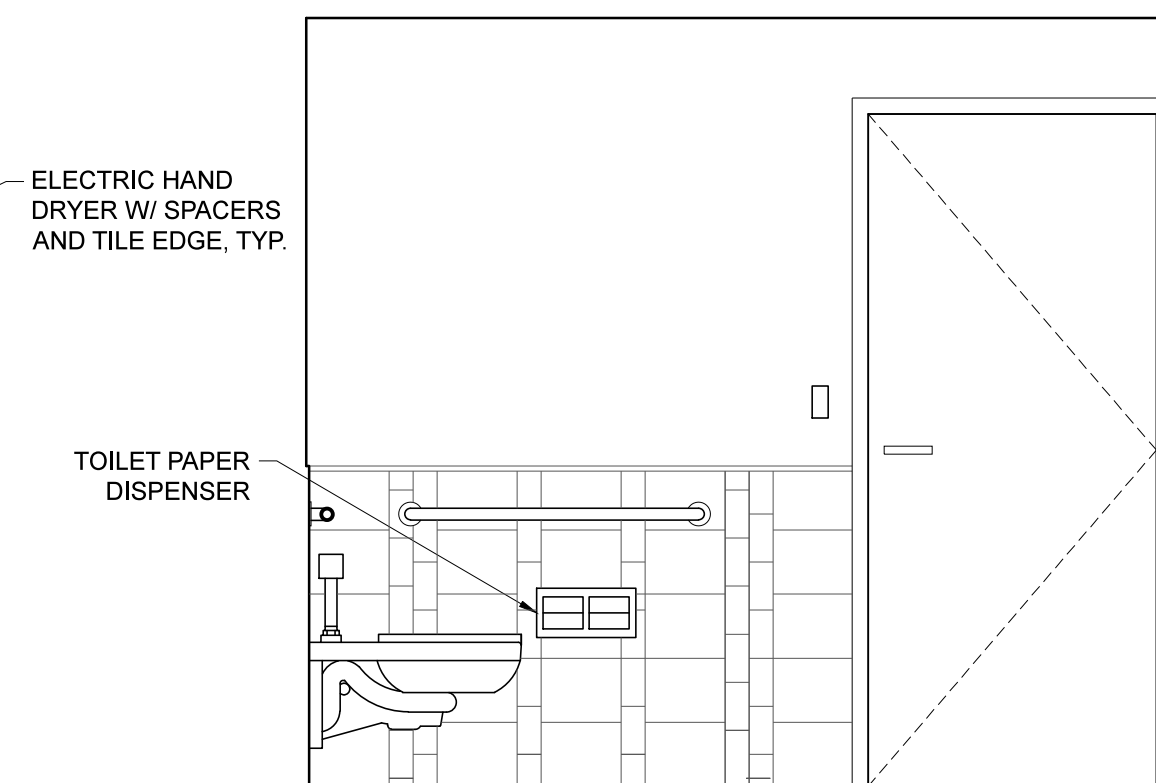
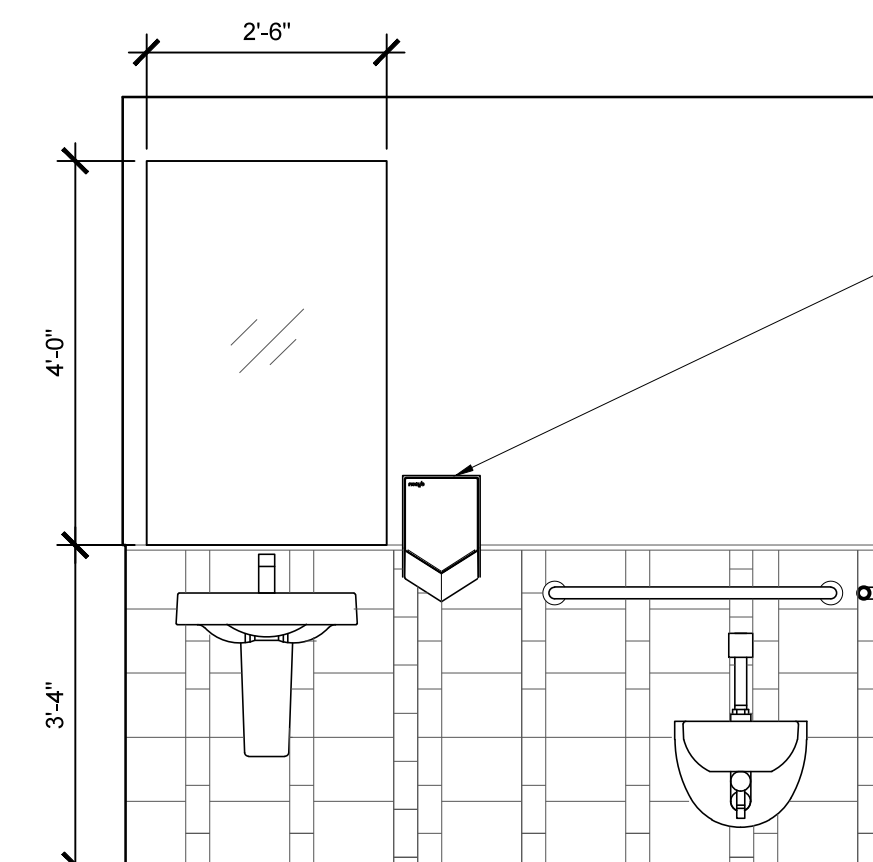
2 INTERIOR ELEVATIONS
SCALE: 1/2" = 1'-0"
DIMENSIONS TO FACE OF FINISH



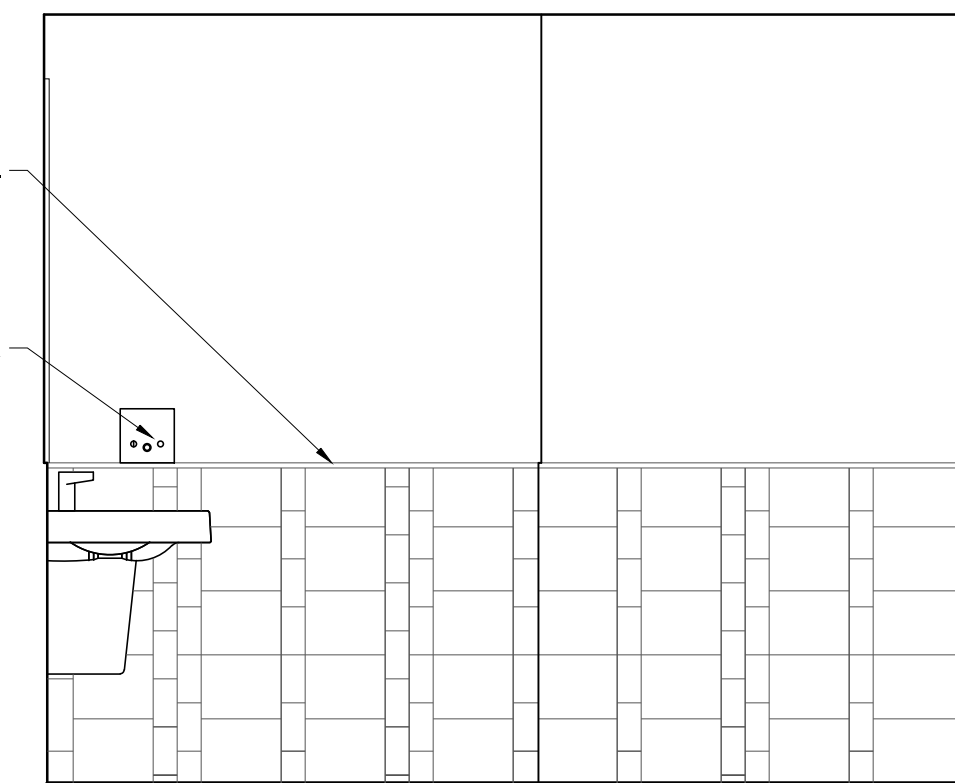
3 ENLARGED PLAN
SCALE: 1/2" = 1'-0"
DIMENSIONS TO FACE OF FINISH



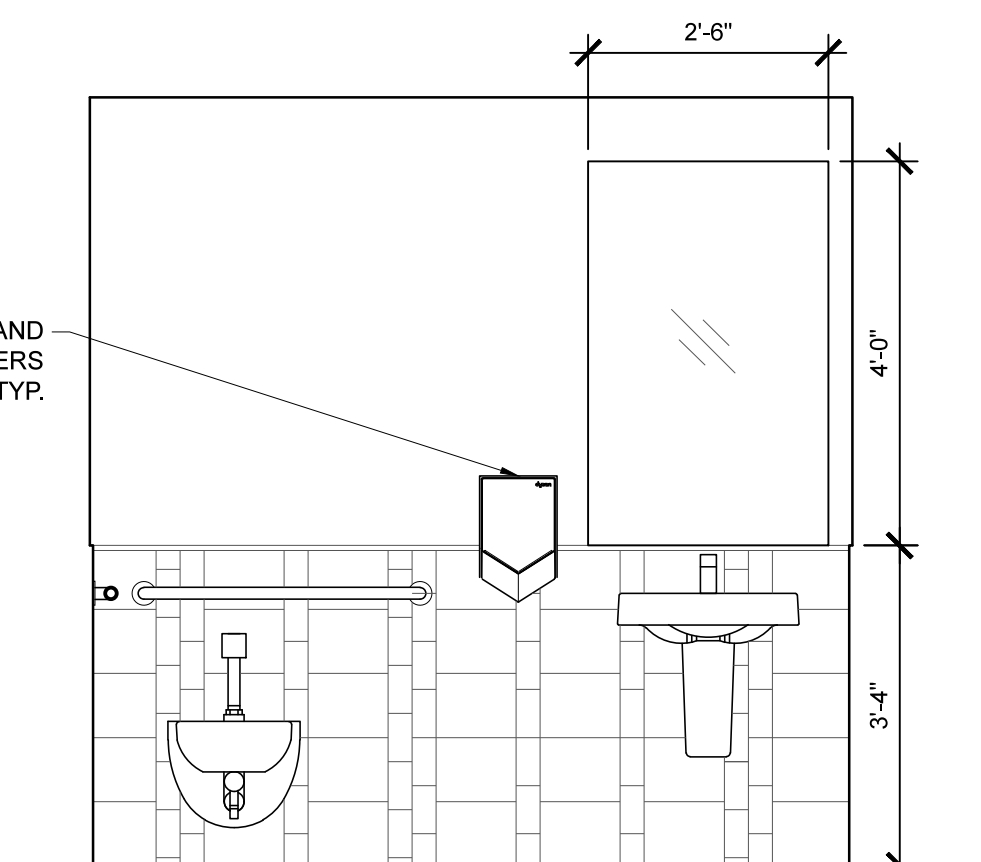
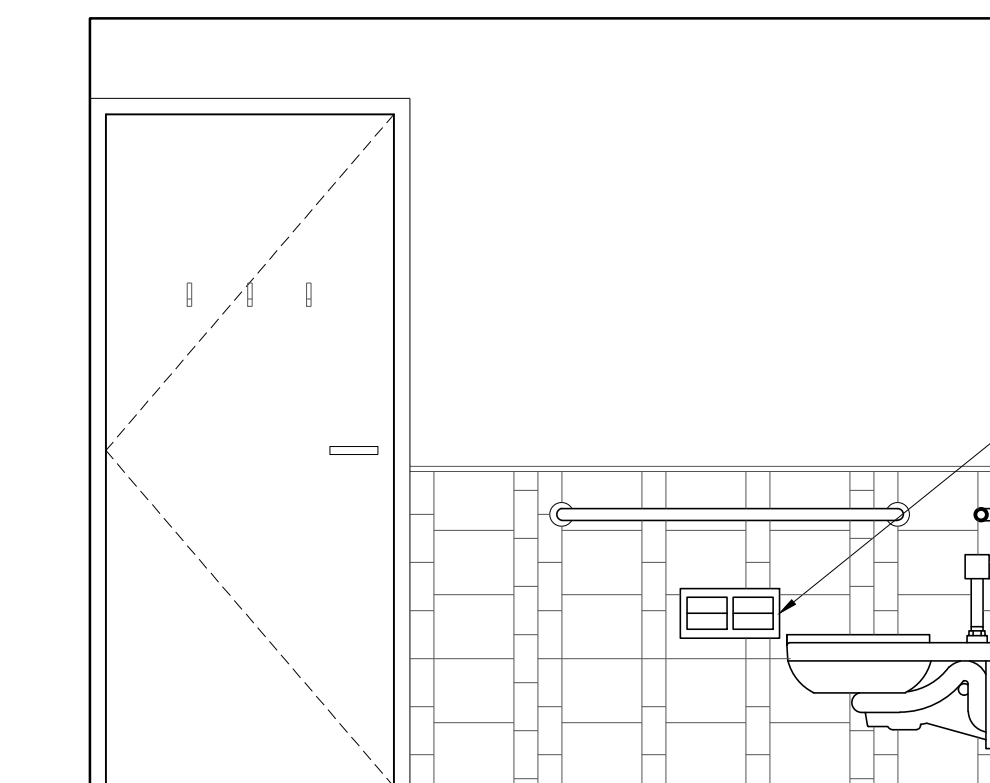
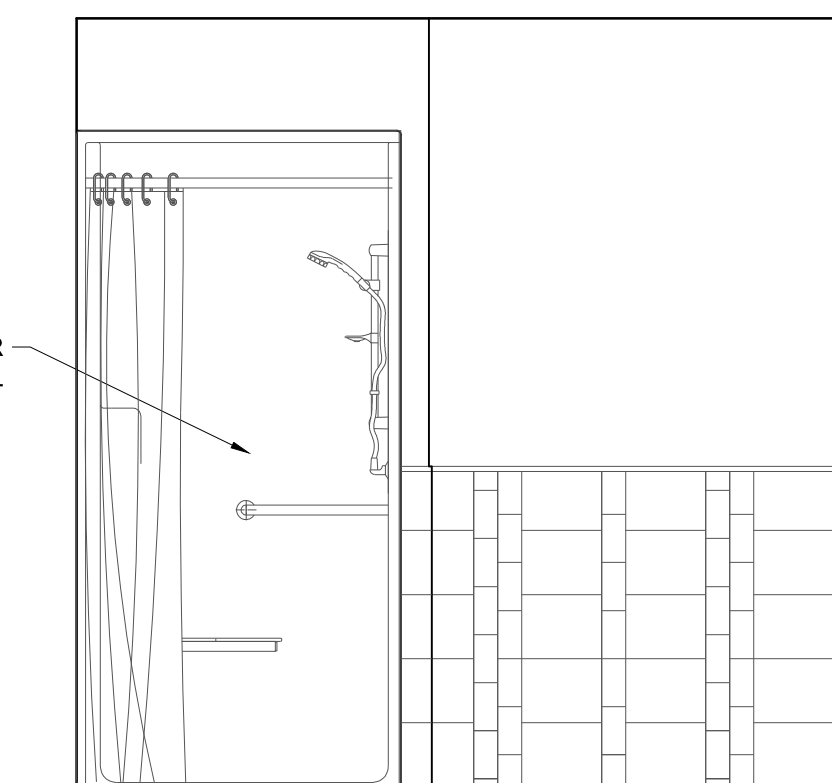
4 INTERIOR ELEVATIONS
SCALE: 1/2" = 1'-0"
DIMENSIONS TO FACE OF FINISH



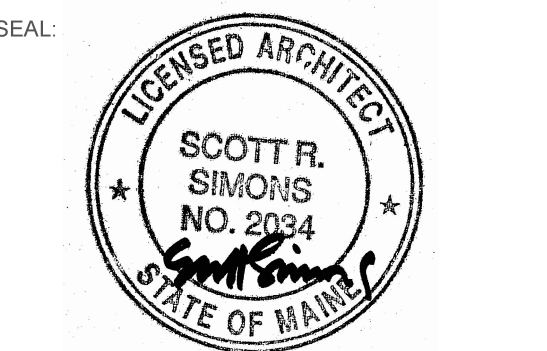
5 ENLARGED PLAN
SCALE: 1/2" = 1'-0"
DIMENSIONS TO FACE OF FINISH



6 INTERIOR ELEVATIONS
SCALE: 1/2" = 1'-0"
DIMENSIONS TO FACE OF FINISH



PROJECT NAME:
PATRONS OXFORD OFFICES
97 TECHNOLOGY PARK DRIVE
PORTLAND, MAINE 04102
UNITED STATES OF AMERICA



THIS DRAWING IS THE PROPERTY OF SCOTT SIMONS ARCHITECTS (SSA) AND IS NOT TO BE COPIED OR REPRODUCED IN PART OR WHOLE 2016 © SCOTT SIMONS ARCHITECTS, LLC

REVISION:

| | |
|---|------|
| 1 | DATE |
| 2 | DATE |
| 3 | DATE |
| 4 | DATE |
| 5 | DATE |
| 6 | DATE |

DATE OF ISSUE: 14 JANUARY 2016
PROJECT NUMBER: 2105-0100 PATRONS OXFORD
STATUS: CONSTRUCTION DOCUMENTS

INTERIOR ELEVATIONS

A523