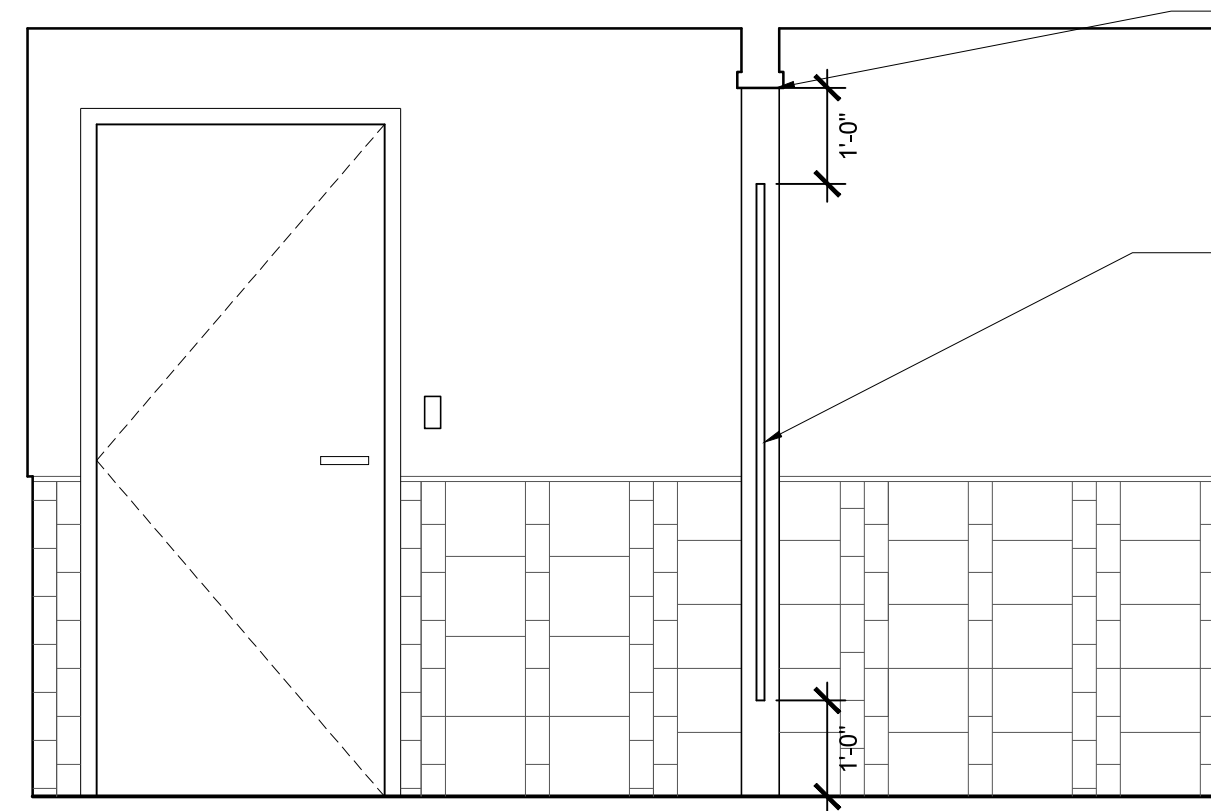
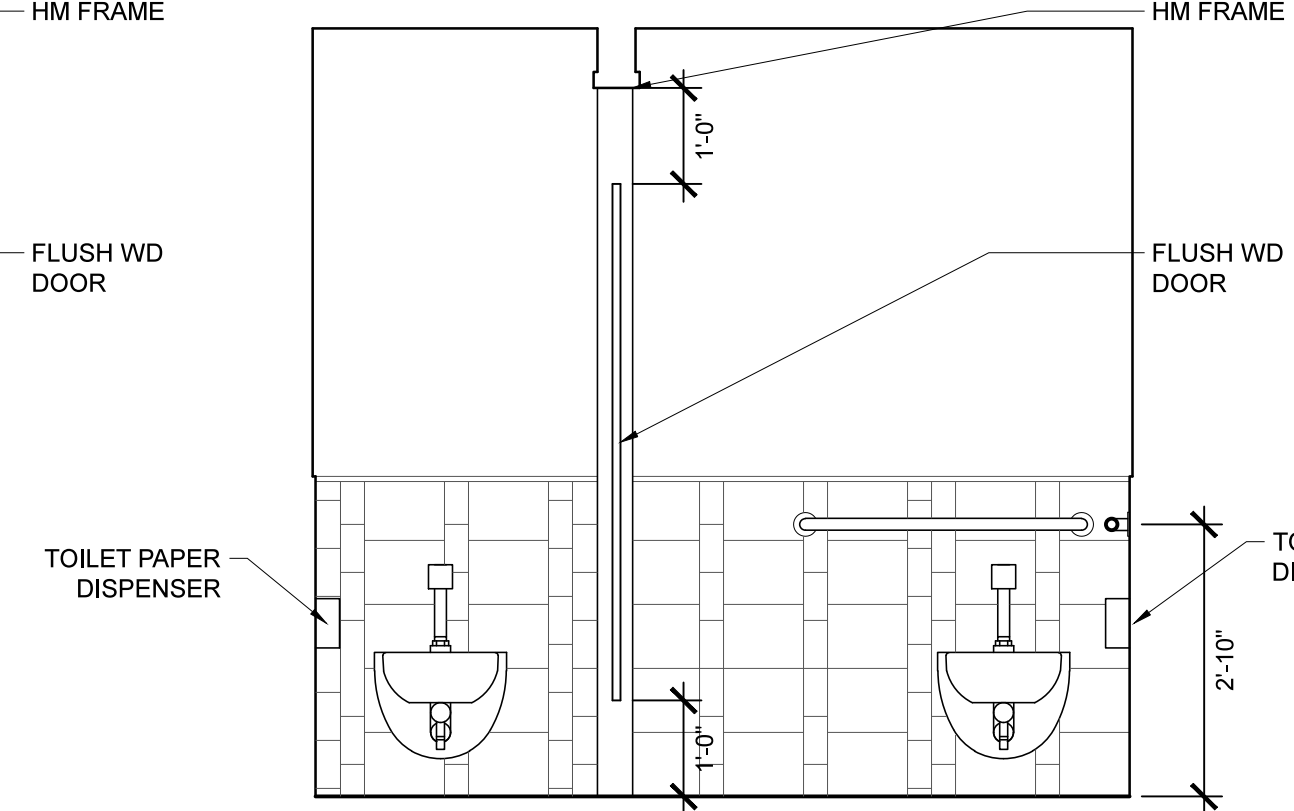


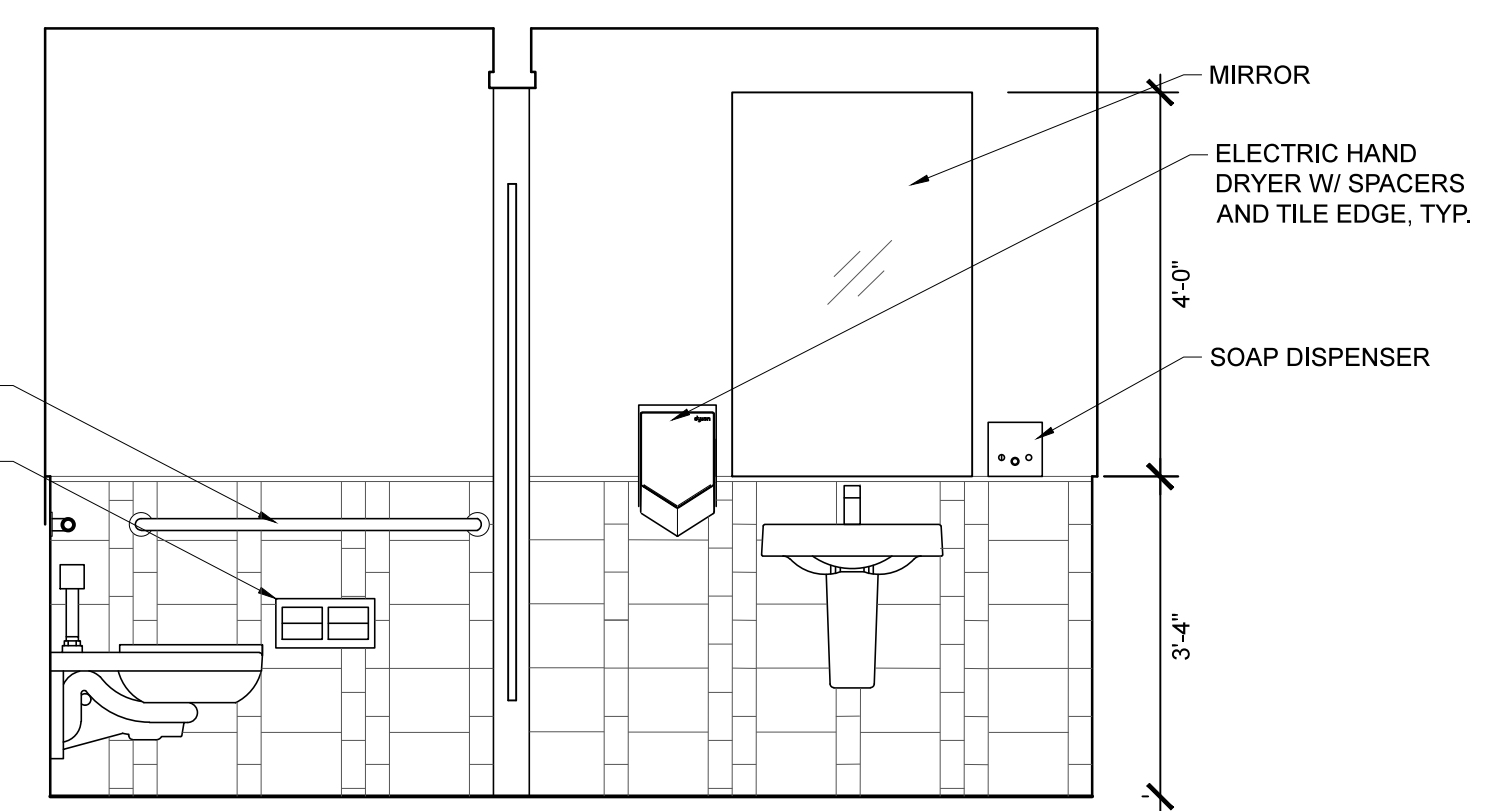
A



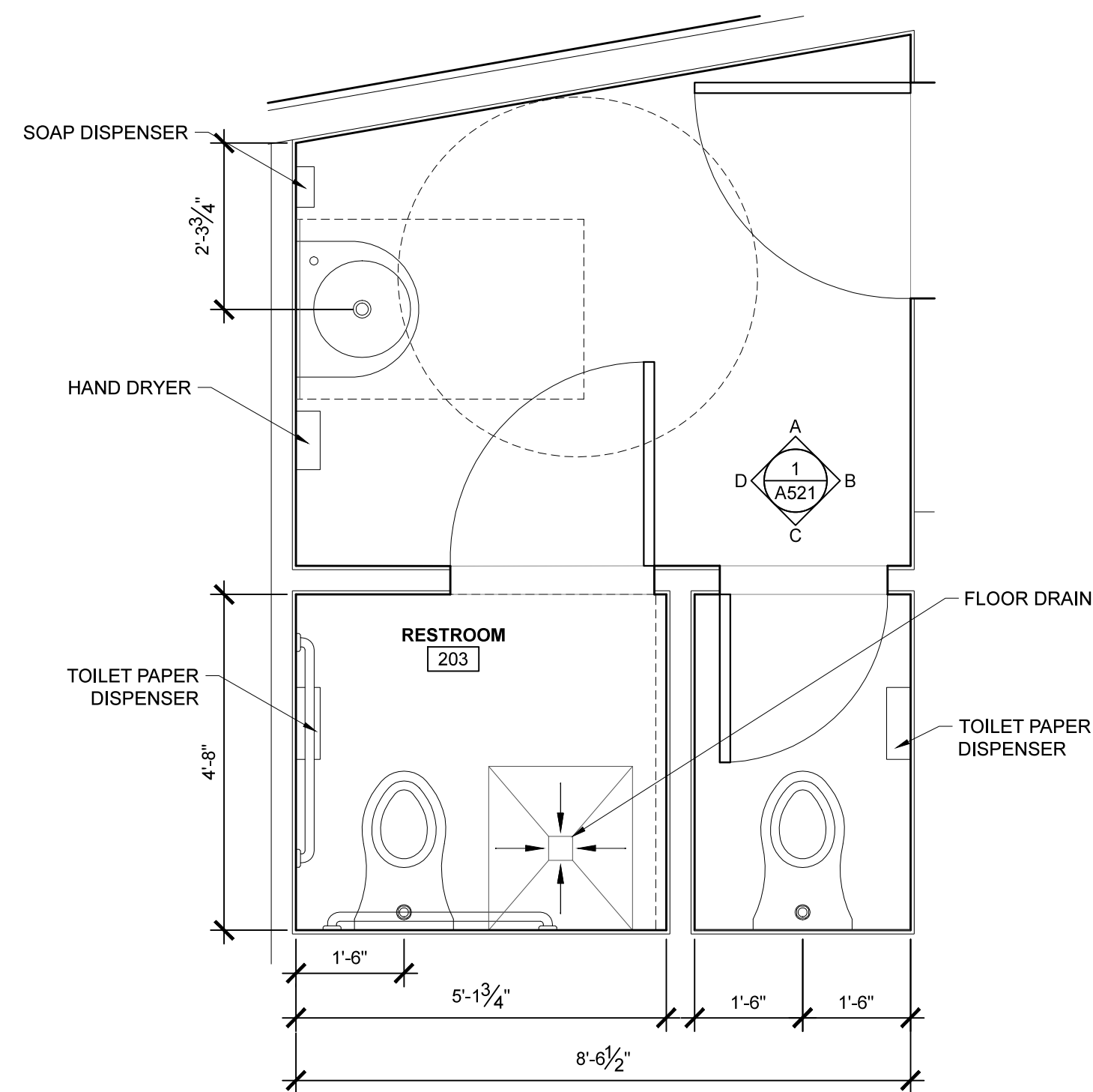
B



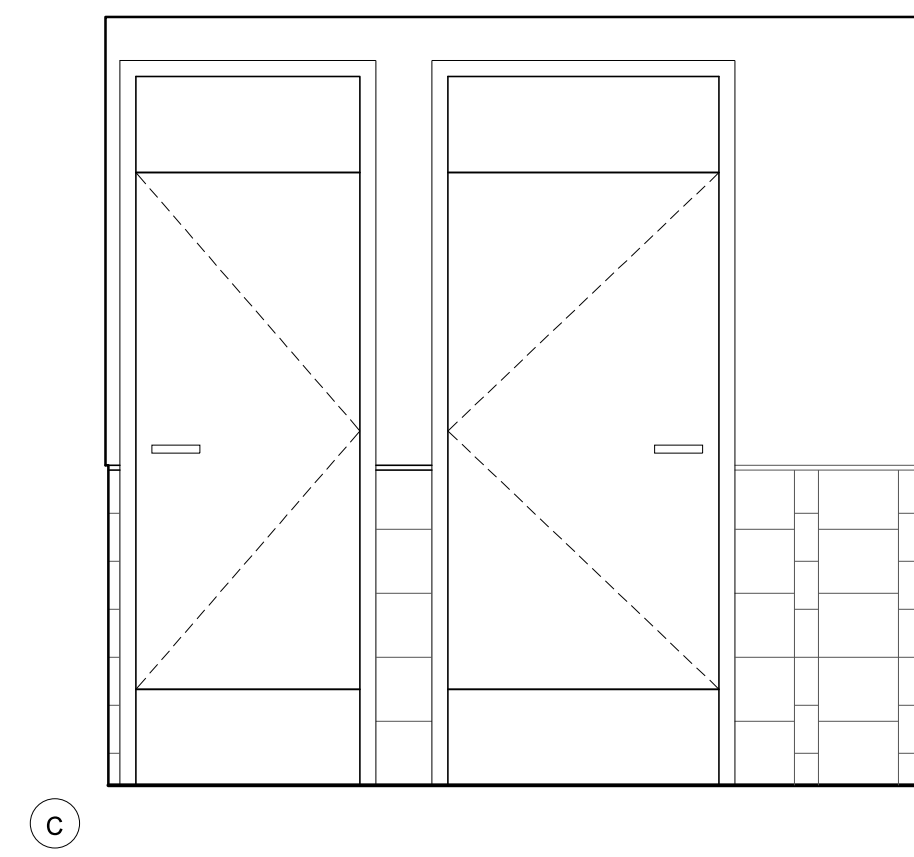
C



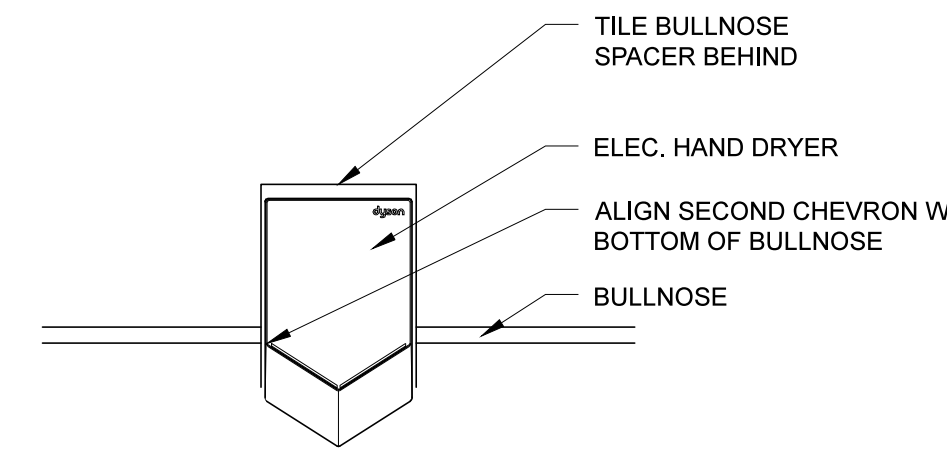
**1 RESTROOMS INTERIOR ELEVATIONS**  
SCALE: 1/2" = 1'-0" DIMENSIONS TO FACE OF FINISH



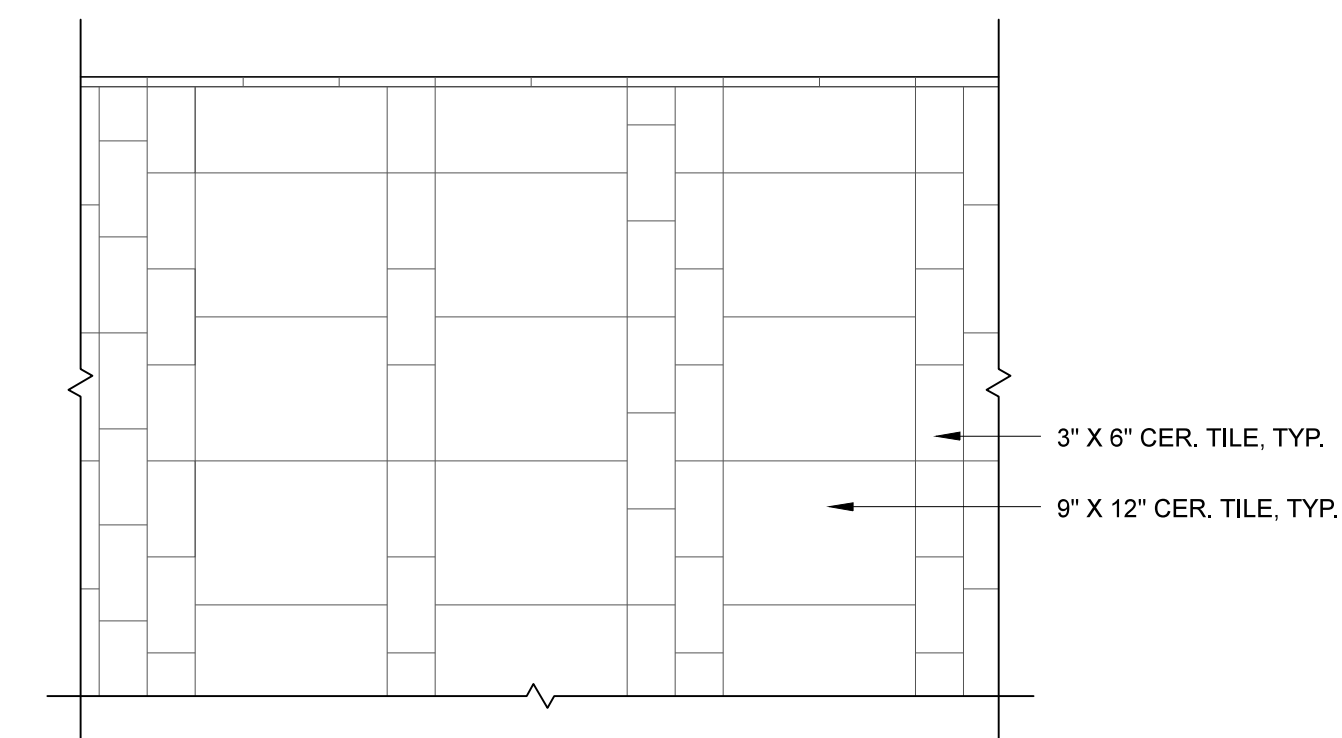
**2 RESTROOMS ENLARGED PLAN**  
SCALE: 1/2" = 1'-0" DIMENSIONS TO FACE OF FINISH



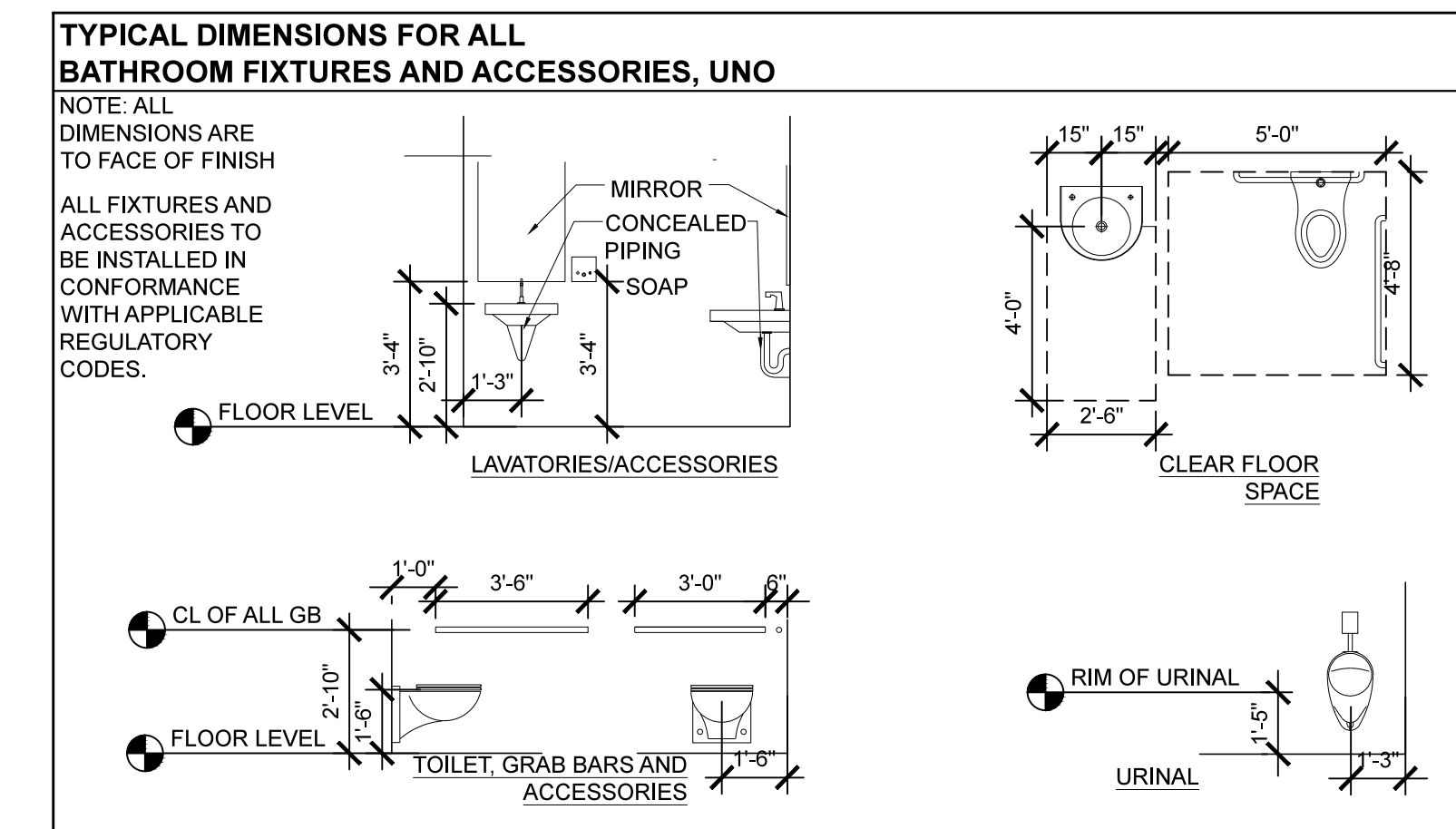
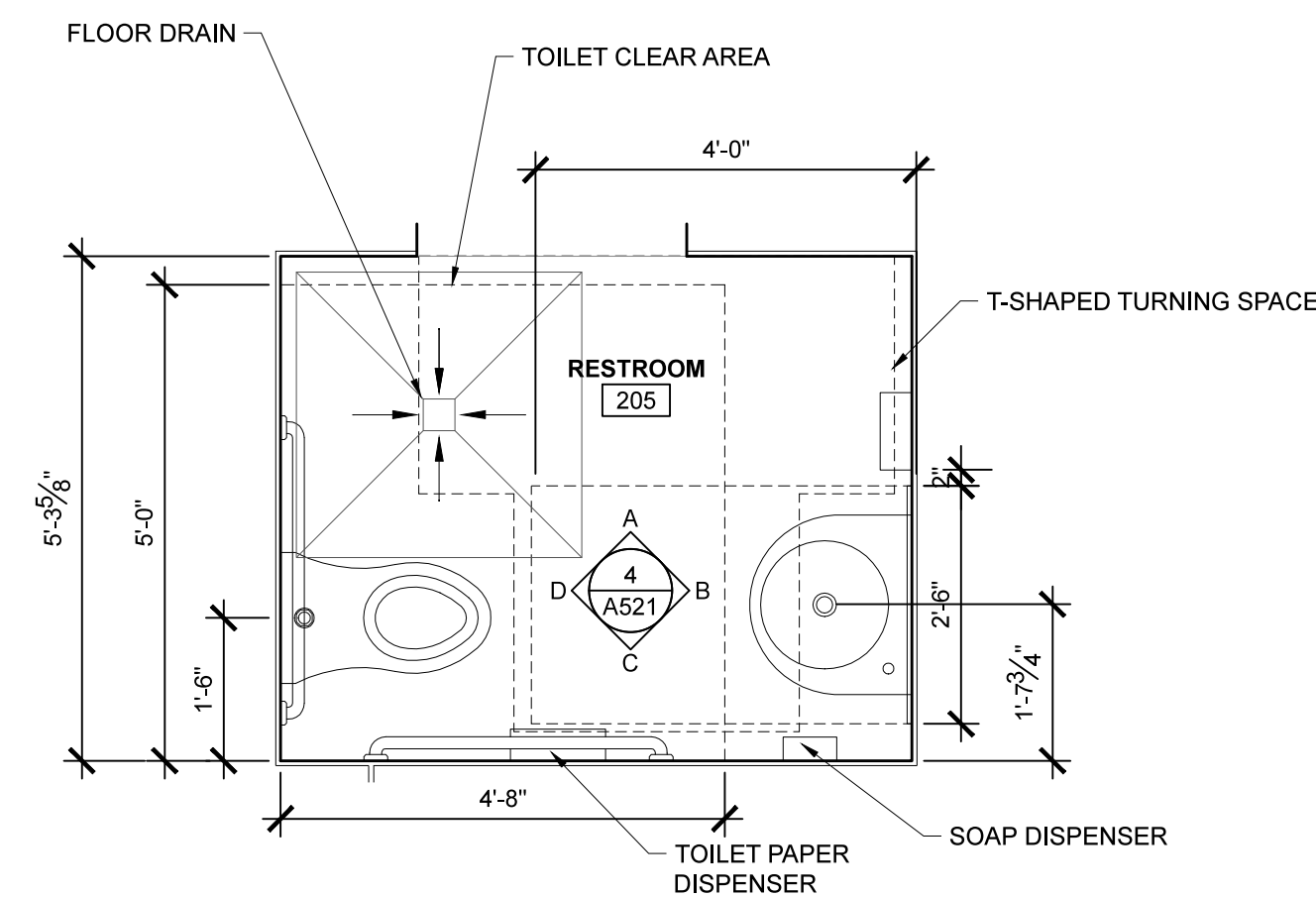
**3 WATER CLOSETS ENLARGED PLAN**  
SCALE: 1/2" = 1'-0" DIMENSIONS TO FACE OF FINISH



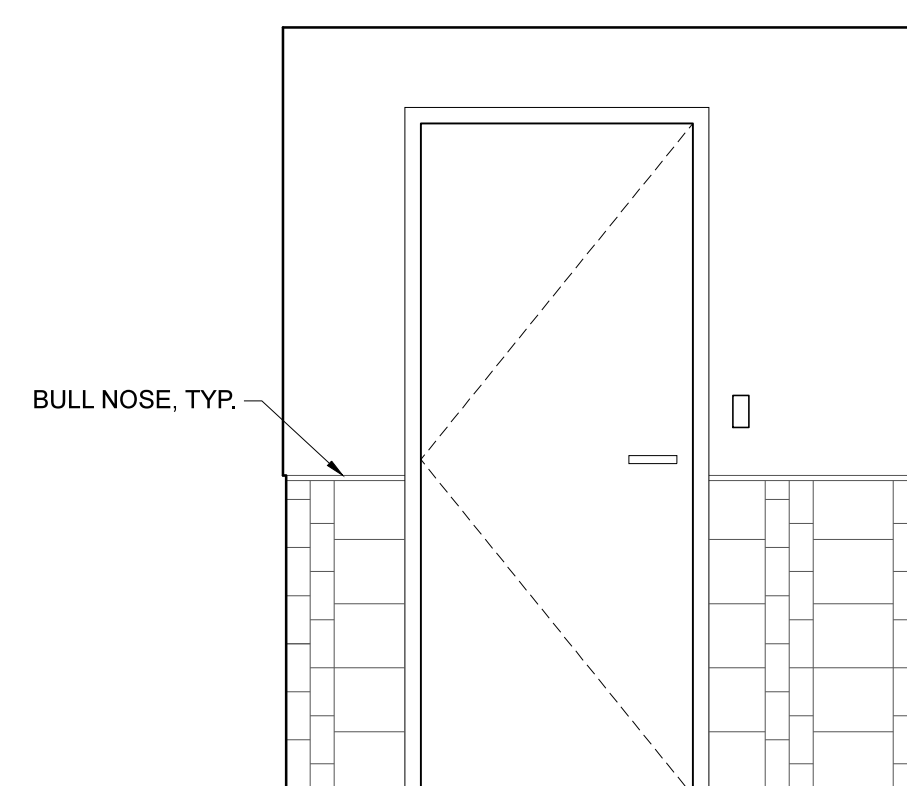
**A HAND DRYER DETAIL**  
SCALE: 1" = 1'-0"



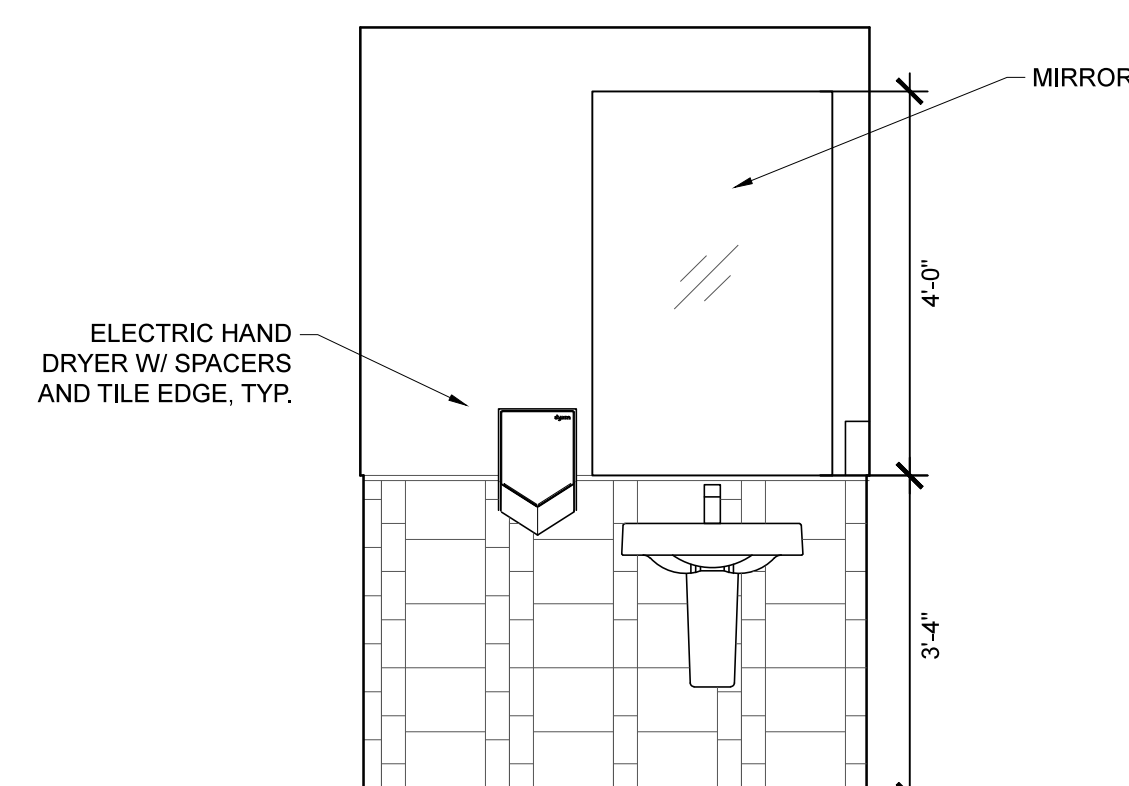
**B TYPICAL TILE CONDITIONS**  
SCALE: 1" = 1'-0"



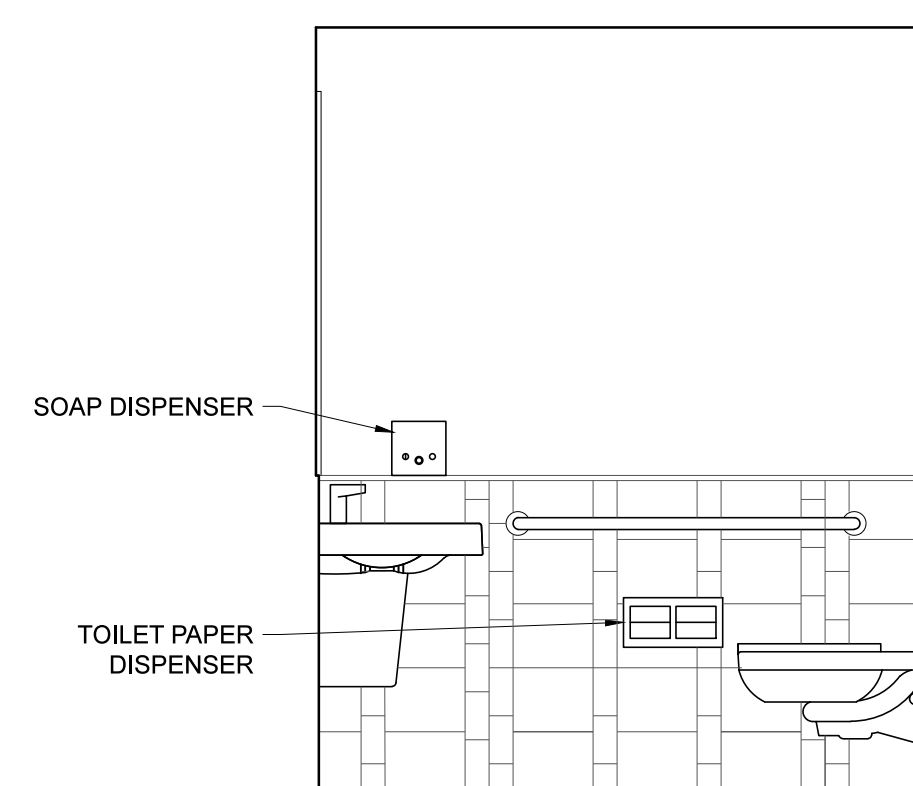
**4 TYPICAL CONDITIONS**  
SCALE: 1/4" = 1'-0" DIMENSIONS TO FACE OF FINISH



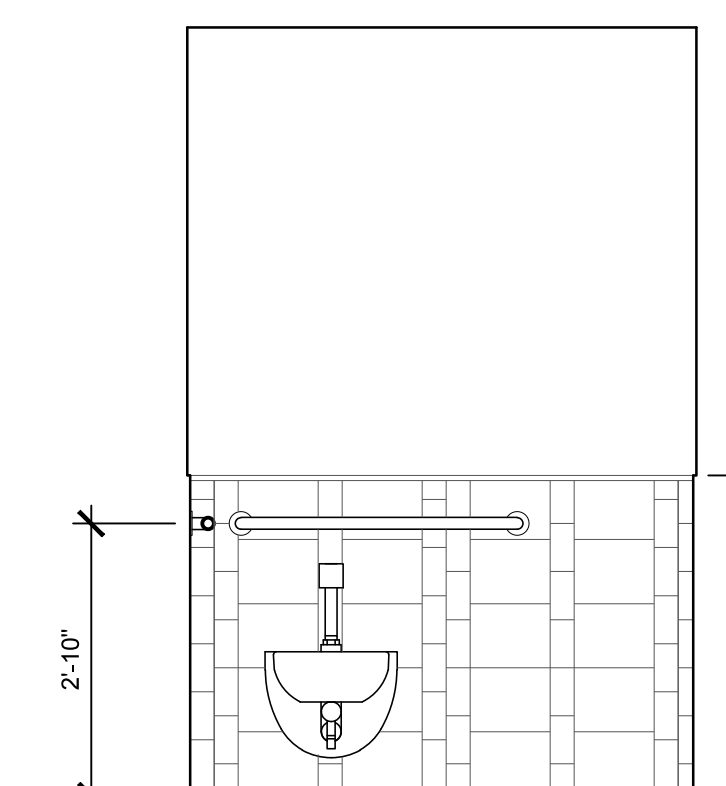
A



B



C



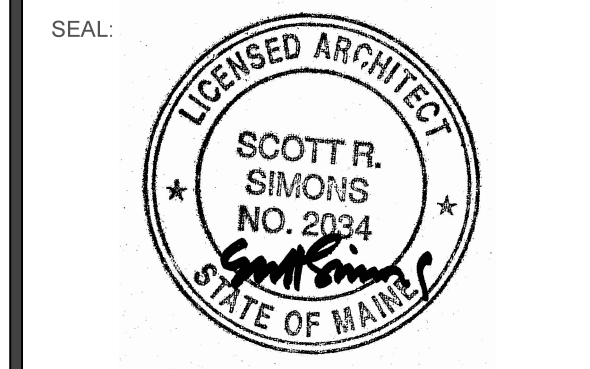
D

**4 WATER CLOSETS INTERIOR ELEVATIONS**  
SCALE: 1/2" = 1'-0" DIMENSIONS TO FACE OF FINISH



75 York Street  
Portland, Maine 04101  
simonsarchitects.com  
207.772.4656

PROJECT NAME:  
**PATRONS OXFORD OFFICES**  
97 TECHNOLOGY PARK DRIVE  
PORTLAND, MAINE 04102  
UNITED STATES OF AMERICA



THIS DRAWING IS THE PROPERTY OF SCOTT SIMONS ARCHITECTS (SSA) AND IS NOT TO BE COPIED OR REPRODUCED IN PART OR WHOLE. 2016 © SCOTT SIMONS ARCHITECTS, LLC

REVISION:

1	DATE
2	DATE
3	DATE
4	DATE
5	DATE
6	DATE

DATE OF ISSUE: 14 JANUARY 2016  
PROJECT NUMBER: 2105-0109 PATRONS OXFORD  
STATUS: CONSTRUCTION DOCUMENTS

**INTERIOR ELEVATIONS**

**A521**