

THIS DRAWING IS THE PROPERTY OF SCOTT SIMONS ARCHITECTS (SSA) AND IS NOT TO BE COPIED OR REPRODUCED IN PART OR WHOLE. 2016 © SCOTT SIMONS ARCHITECTS, LLC

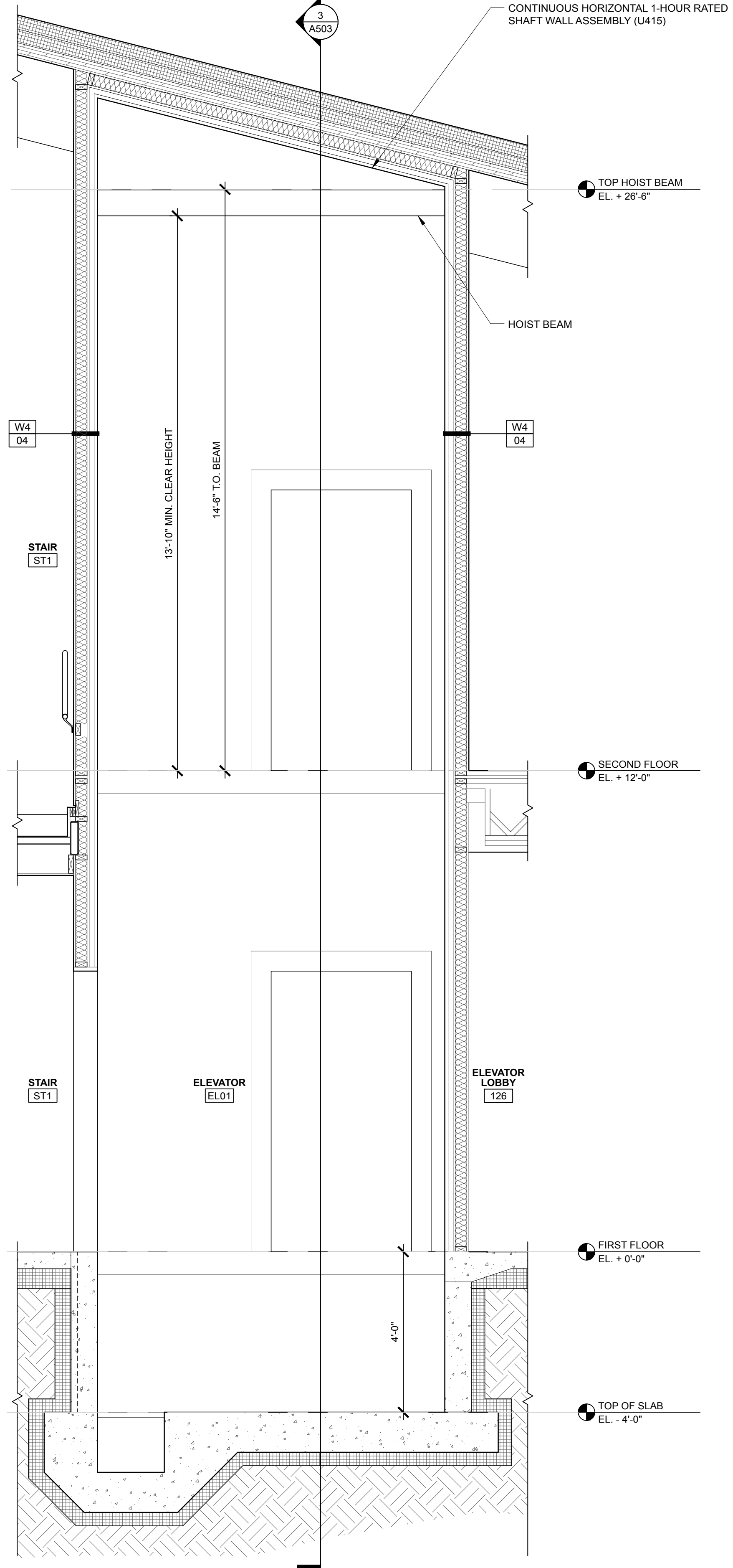
REVISION:

1	DATE
2	DATE
3	DATE
4	DATE
5	DATE
6	DATE

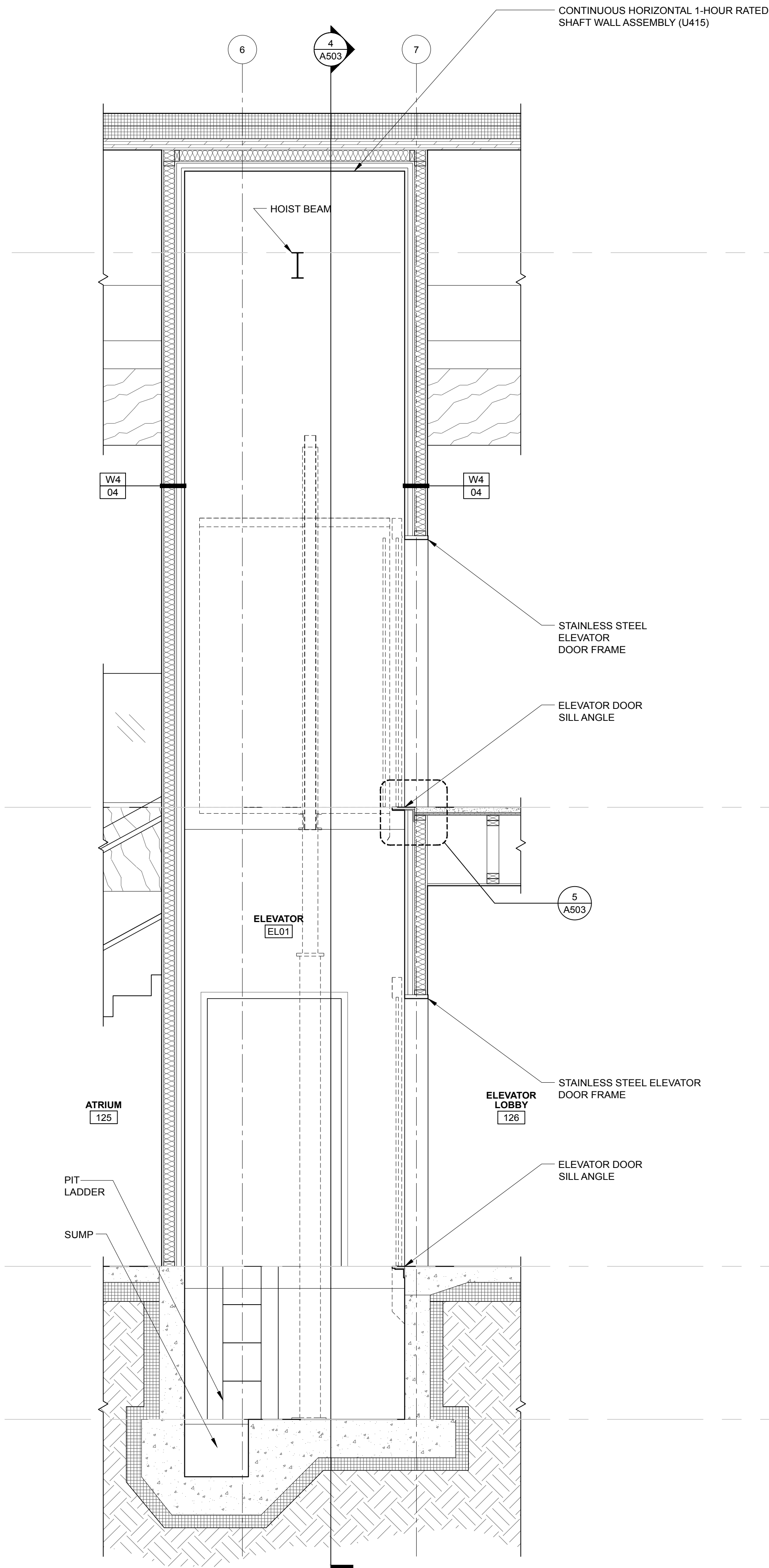
DATE OF ISSUE: 14 JANUARY 2016
PROJECT NUMBER: 2105-0100 PATRONS OXFORD
STATUS: CONSTRUCTION DOCUMENTS

VERTICAL CIRCULATION

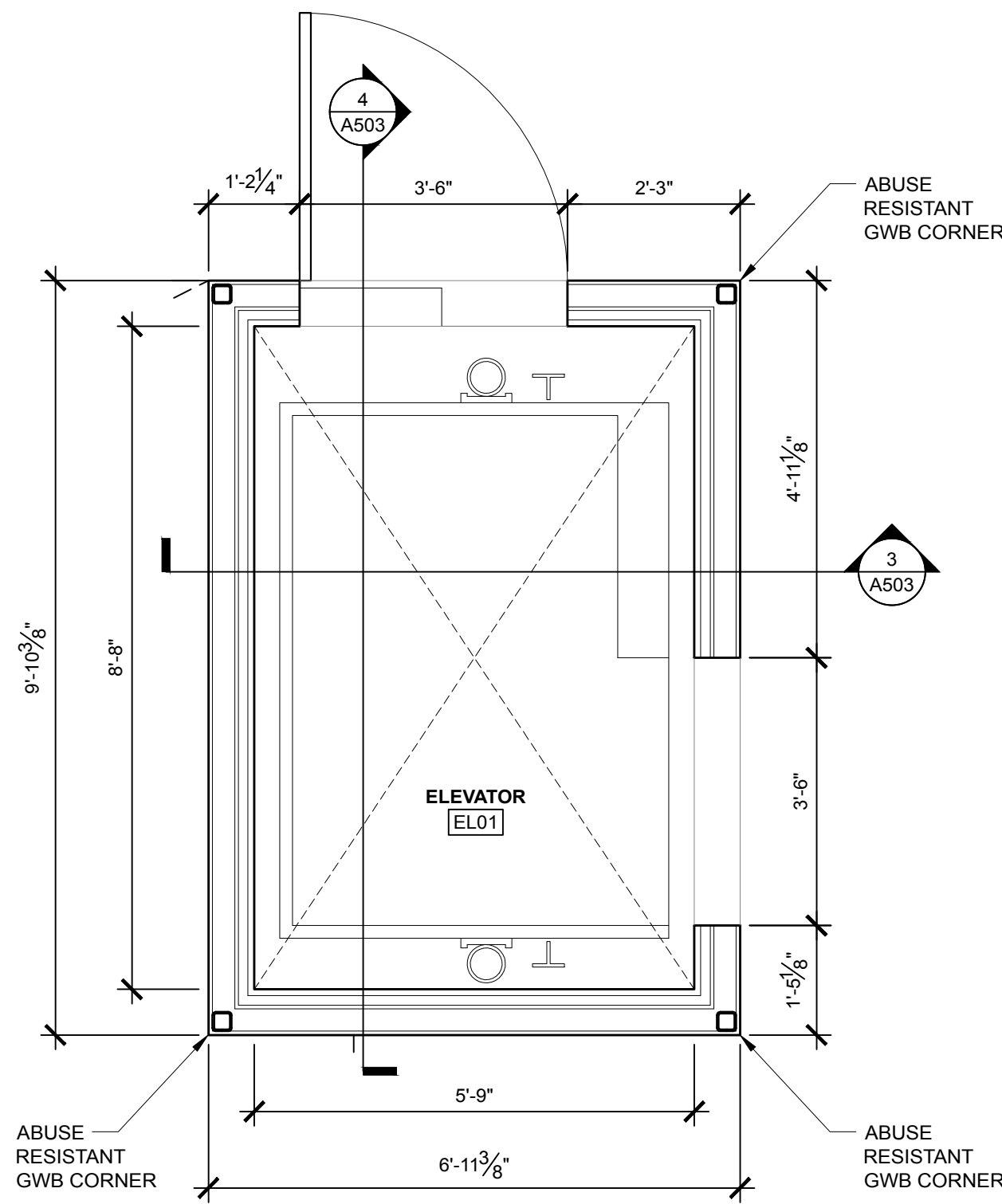
A503



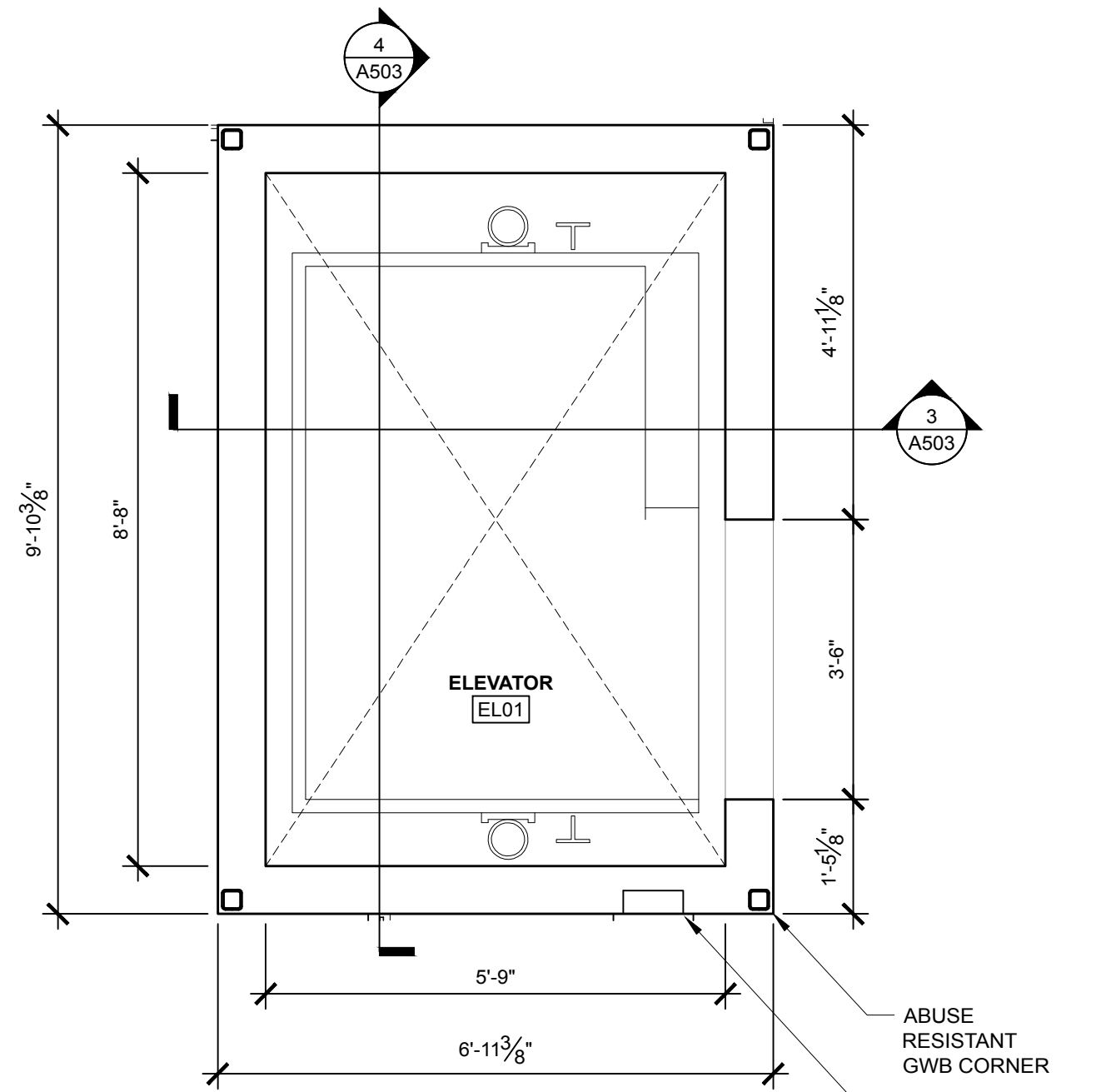
4 DRAWING TITLE
SCALE: 1/2" = 1'-0"



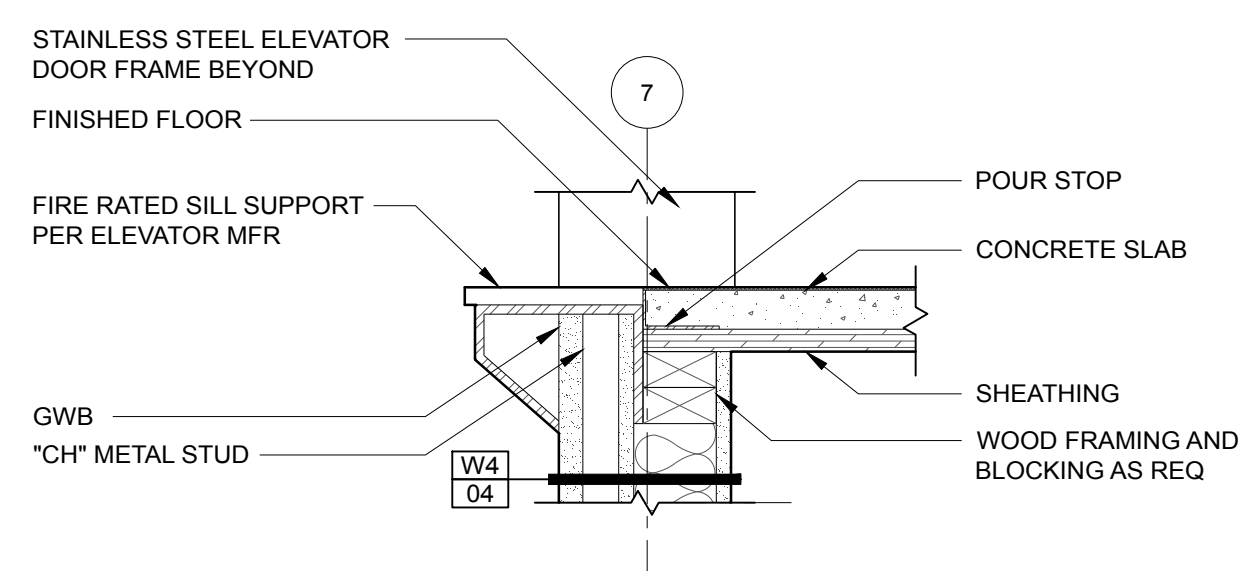
3 DRAWING TITLE
SCALE: 1/2" = 1'-0"



1 ELEVATOR PLAN AT FIRST FLOOR
SCALE: 1/2" = 1'-0"



2 ELEVATOR PLAN AT SECOND FLOOR
SCALE: 1/2" = 1'-0"



5 SECTION DETAIL
SCALE: 1-1/2" = 1'-0"