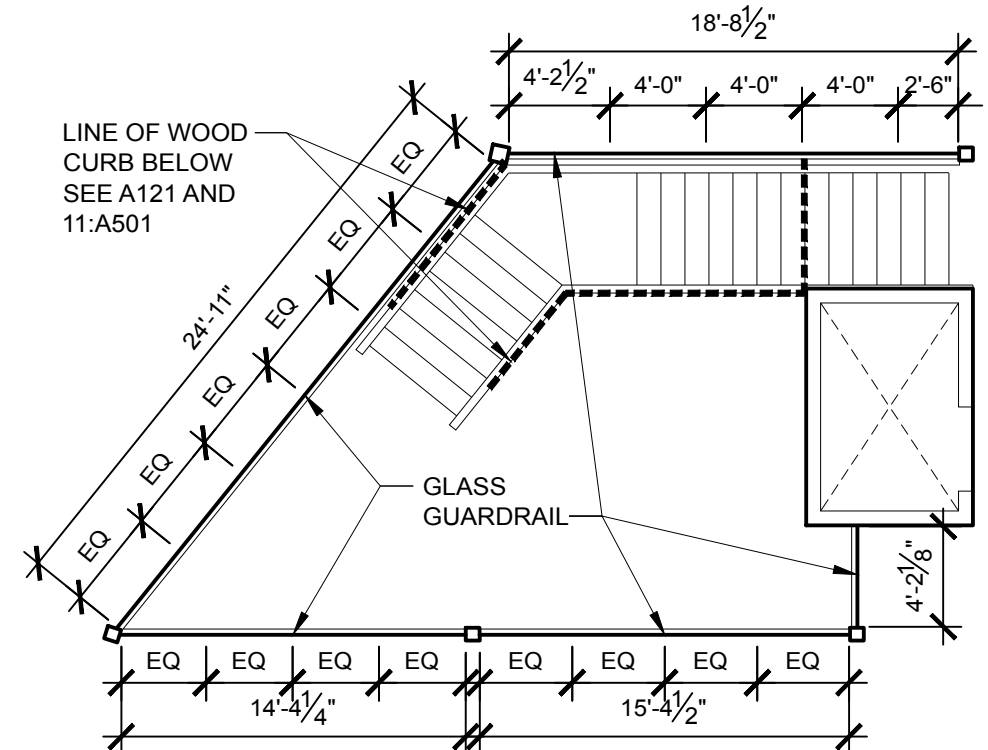
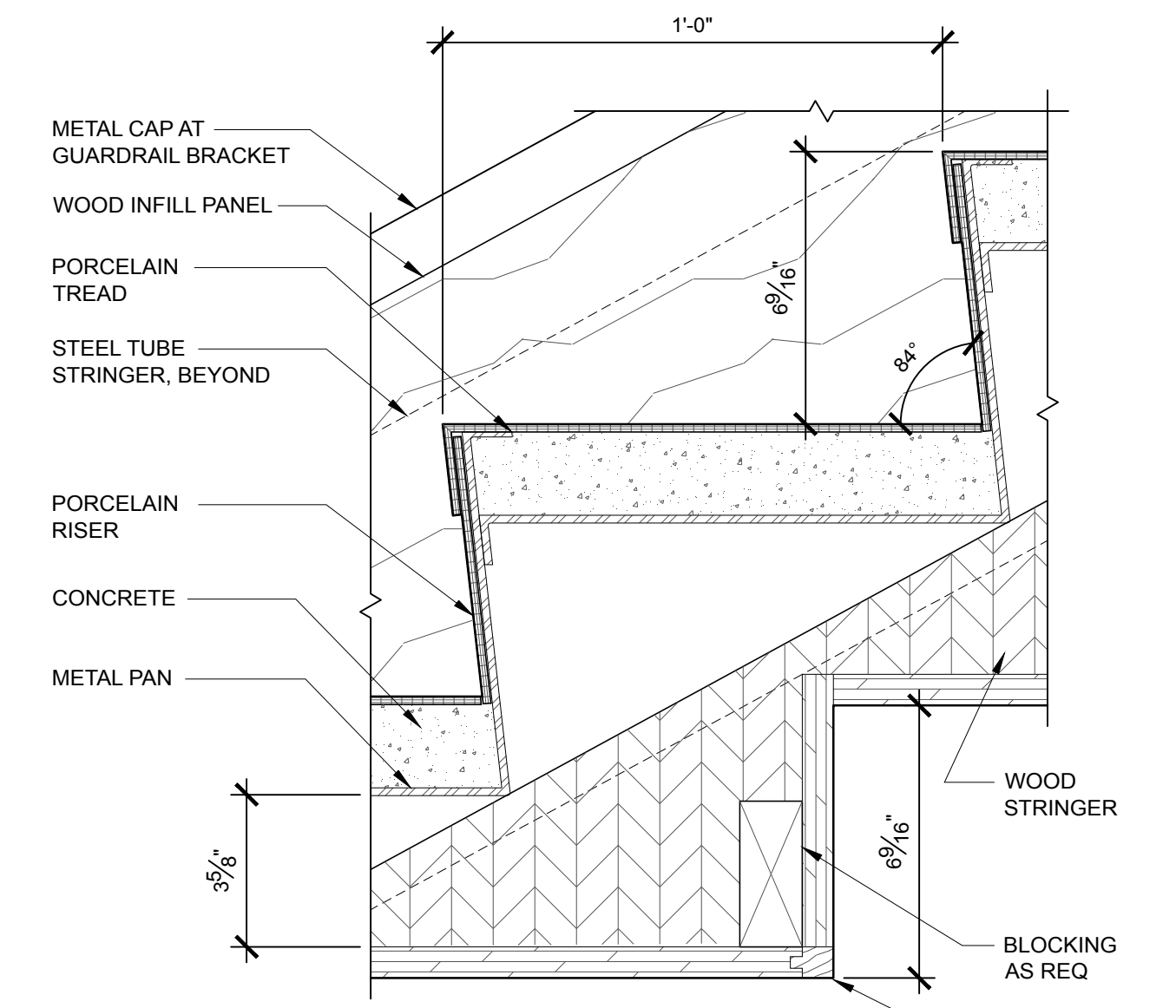


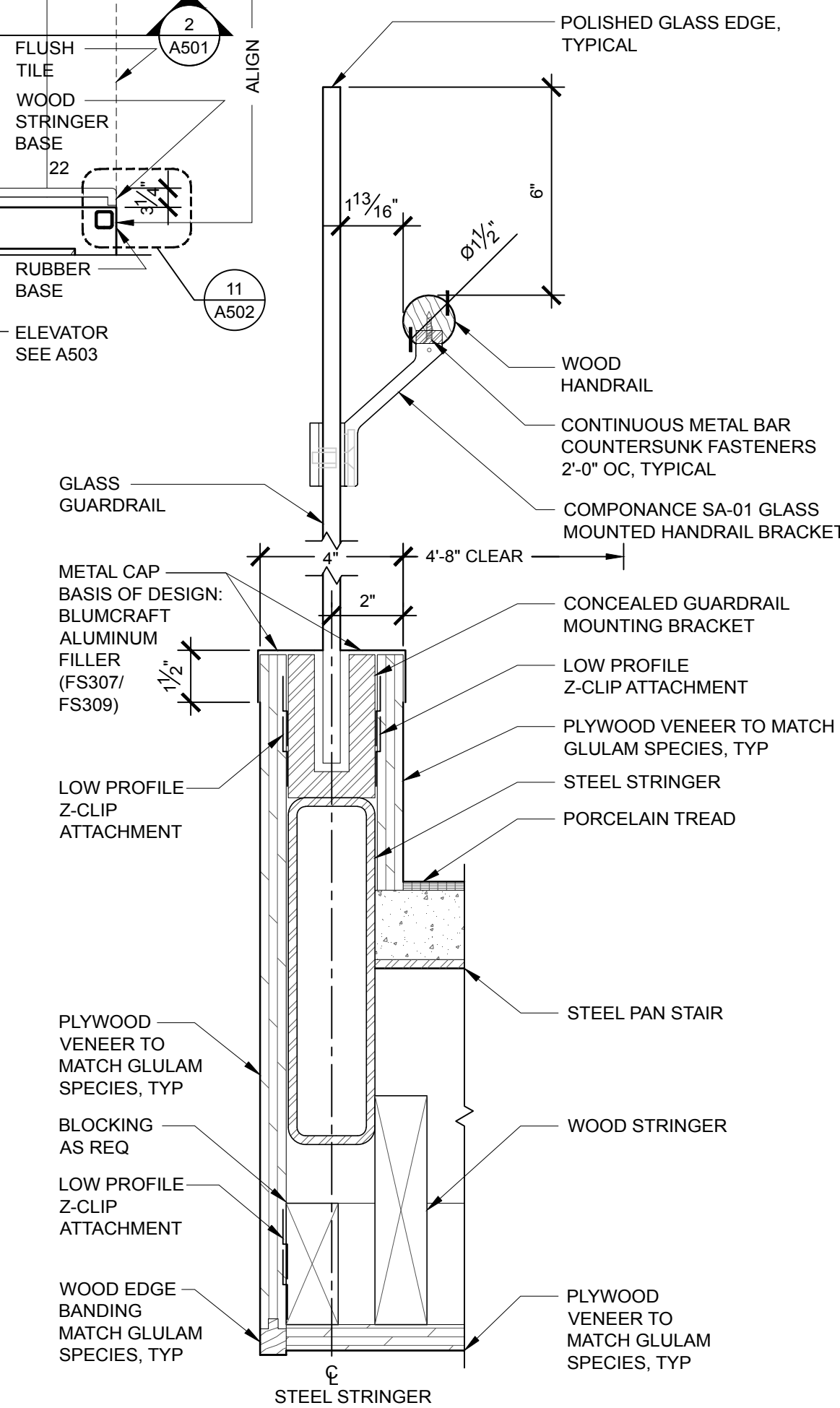
1 **STAIR 1 ENLARGED FLOOR PLAN**  
SCALE: 1/2" = 1'-0"



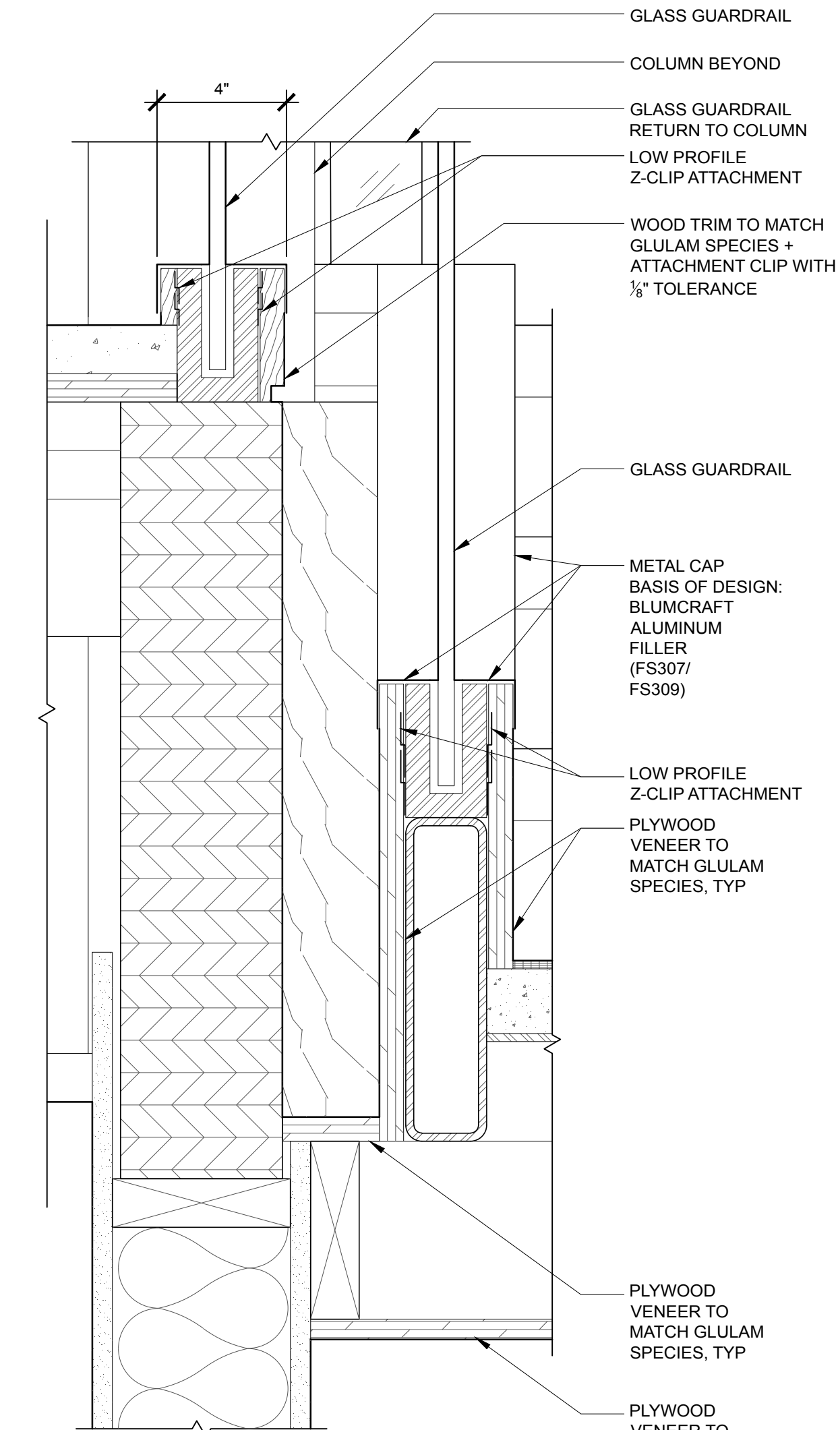
4 **SECOND FLOOR GUARDRAIL**  
SCALE: 1/8" = 1'-0"



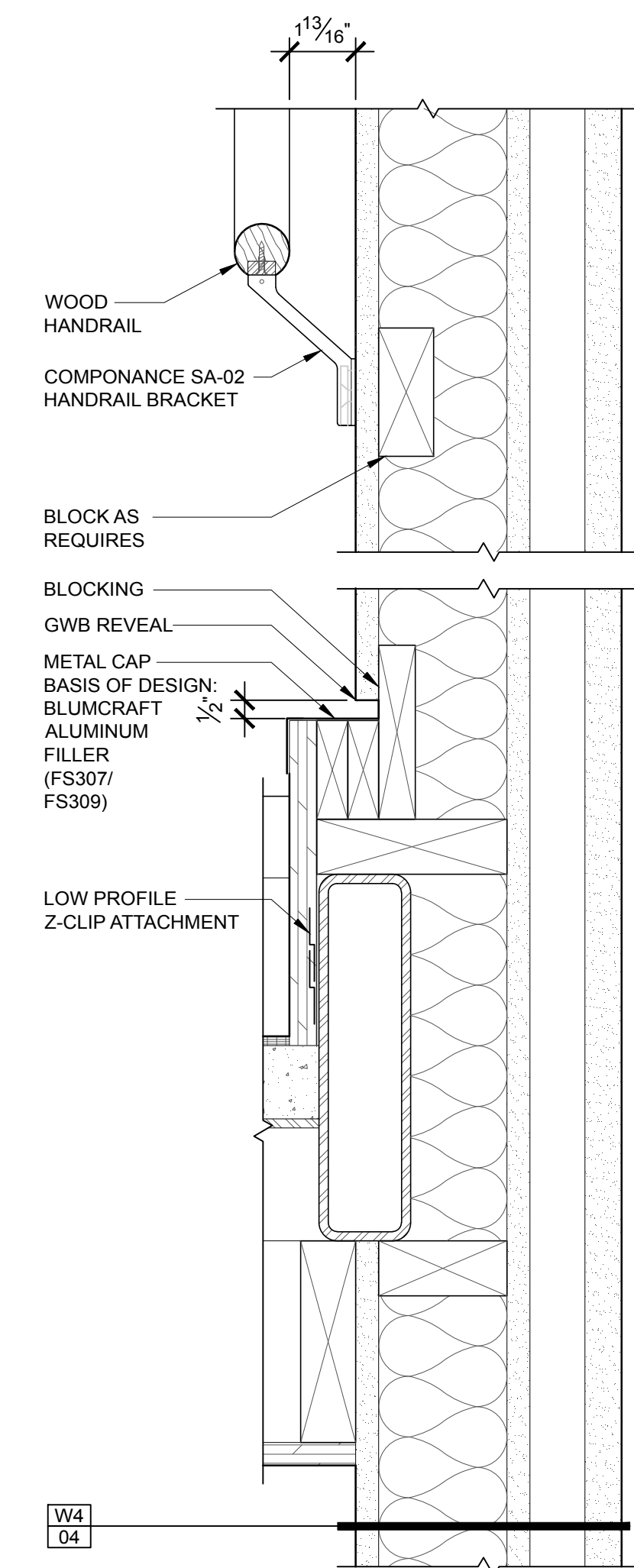
6 **STAIR 1 TYPICAL SECTION DETAIL**  
SCALE: 3" = 1'-0"



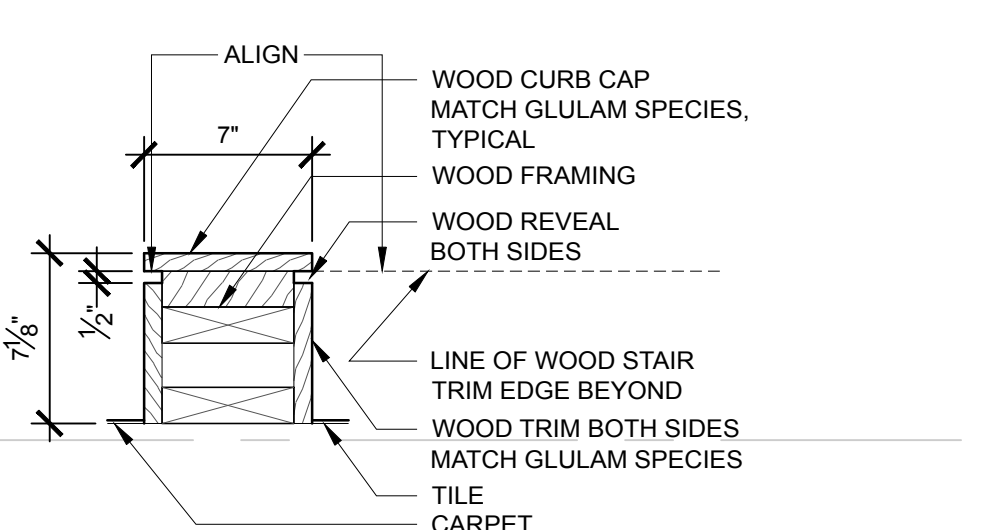
7 **STAIR 1 SECTION DETAIL**  
SCALE: 3" = 1'-0"



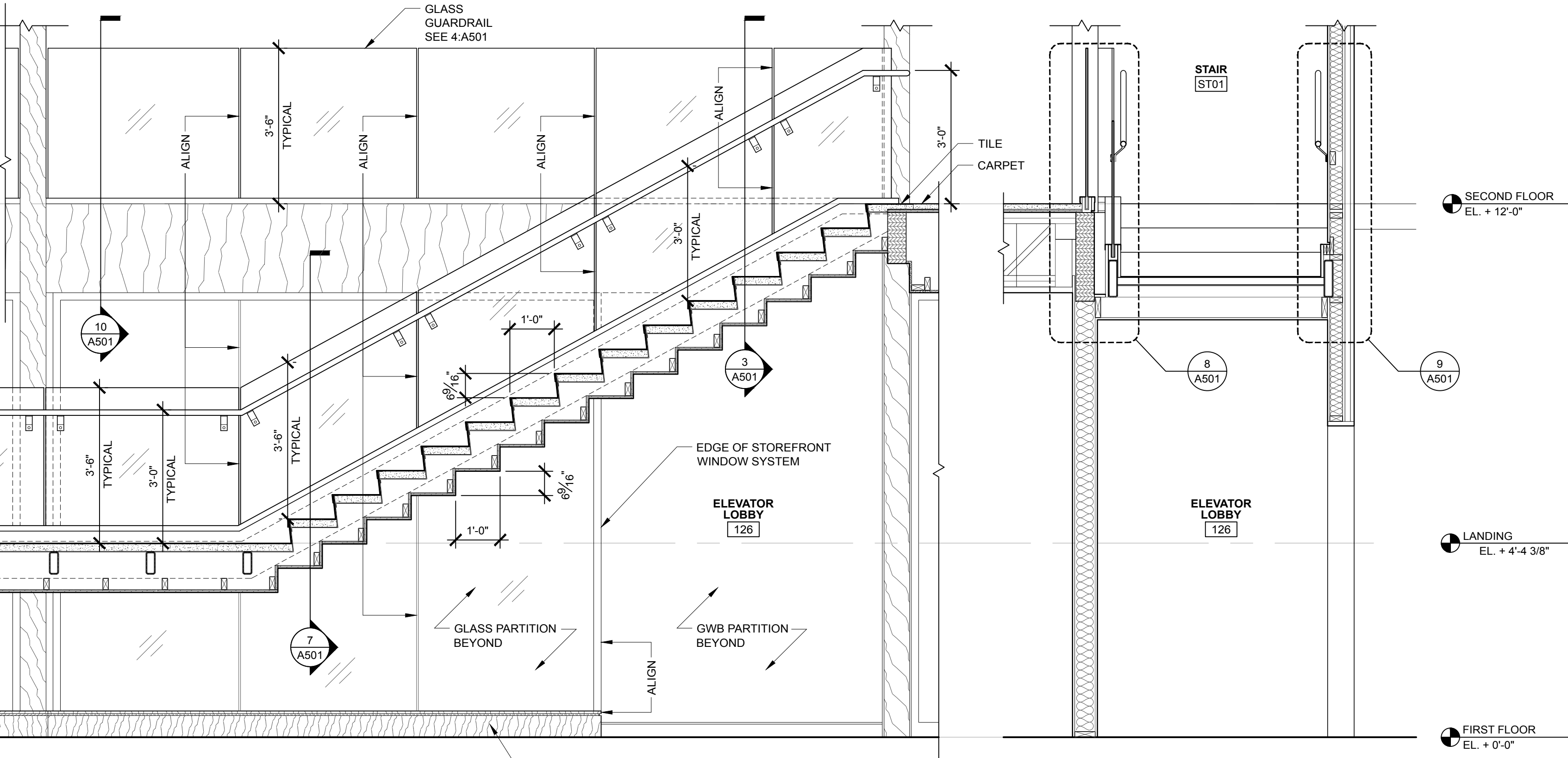
8 **STAIR 1 SECTION DETAIL**  
SCALE: 3" = 1'-0"



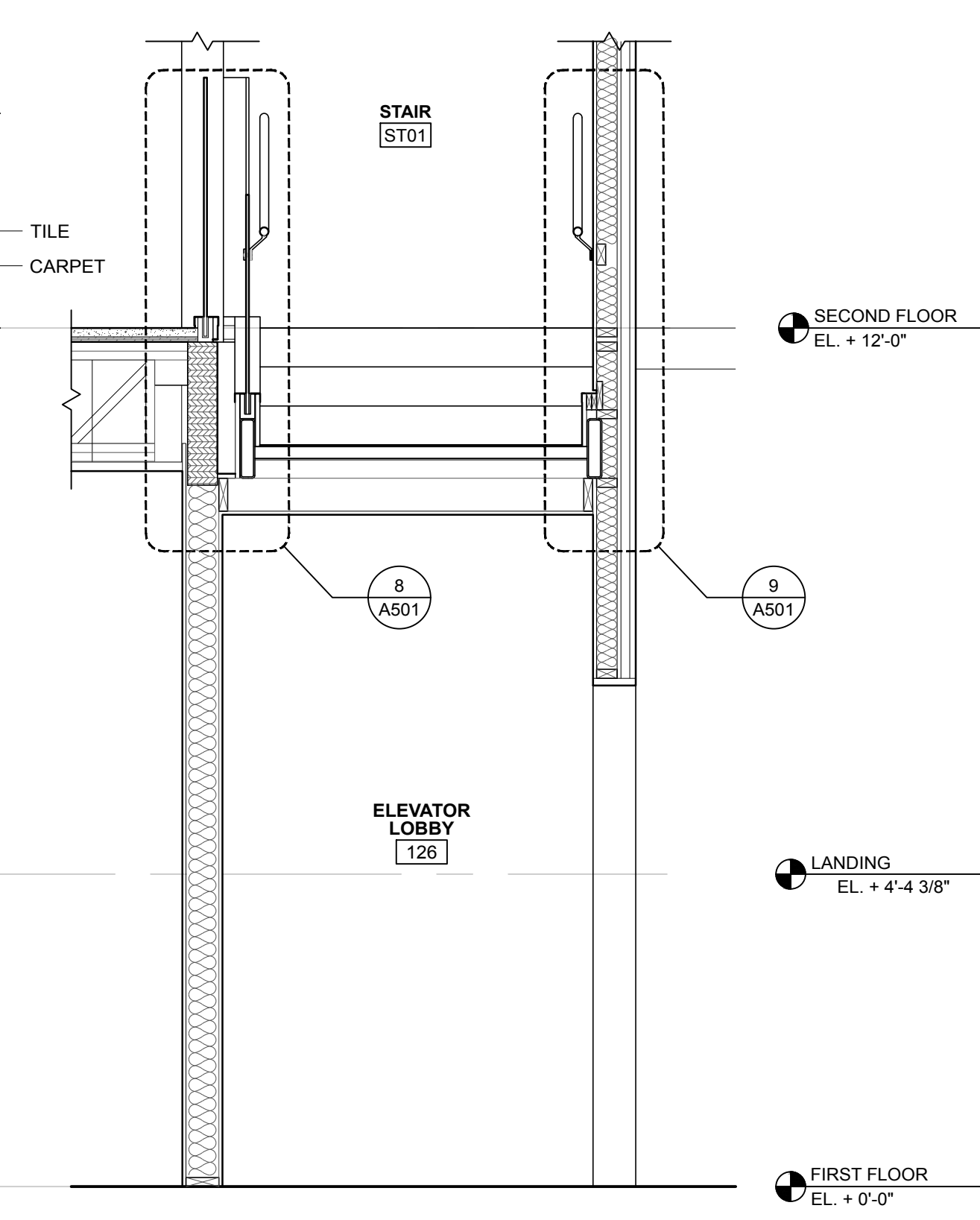
9 **STAIR 1 SECTION DETAIL**  
SCALE: 3" = 1'-0"



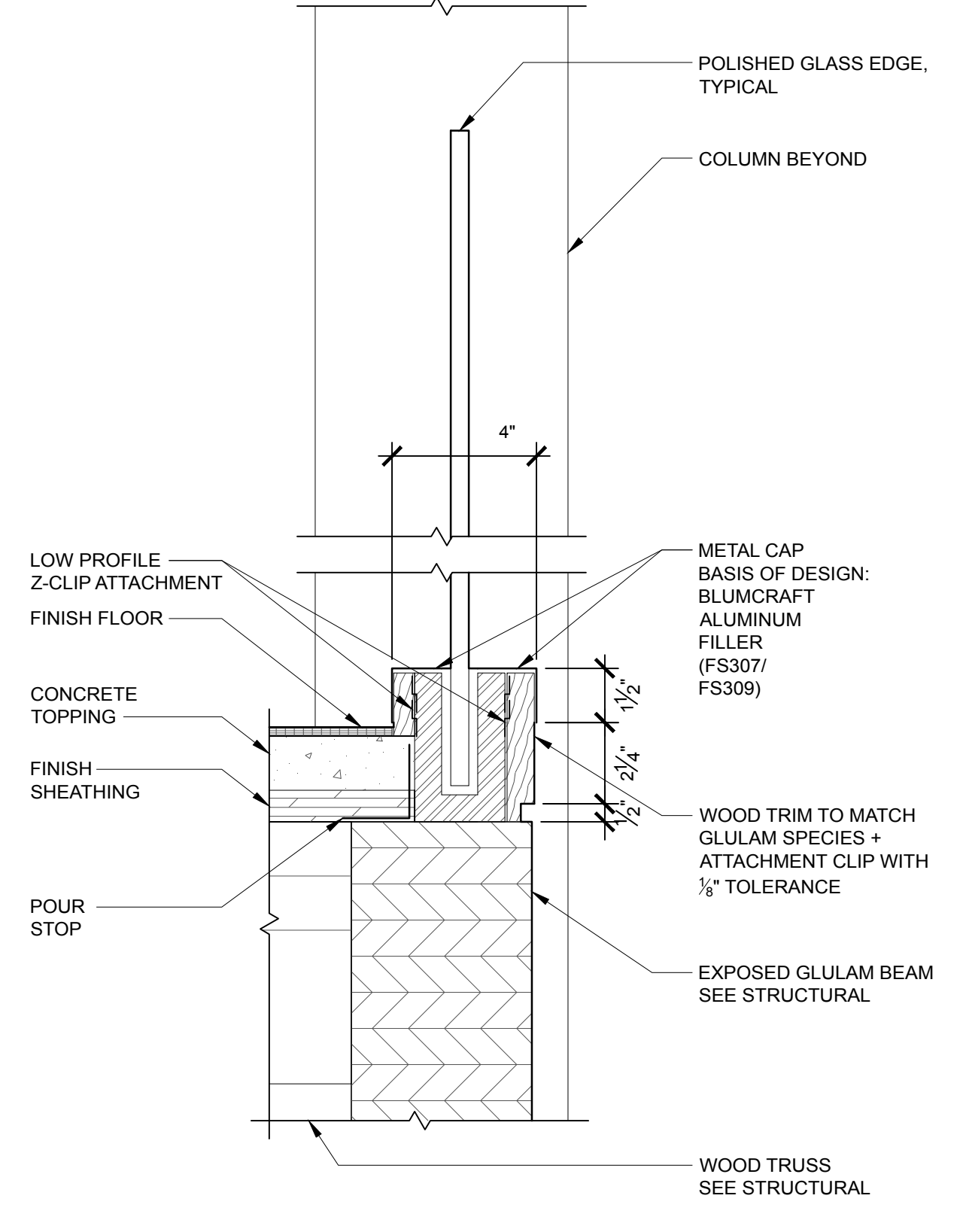
11 **CURB SECTION DETAIL**  
SCALE: 1-1/2" = 1'-0"



2 **STAIR 1 SECTION**  
SCALE: 1/2" = 1'-0"



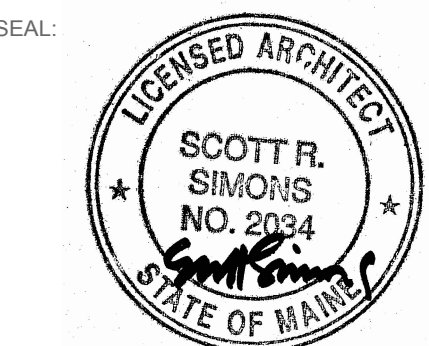
3 **STAIR 1 SECTION**  
SCALE: 1/2" = 1'-0"



10 **STAIR 1 SECTION DETAIL**  
SCALE: 3" = 1'-0"

PROJECT NAME:  
**PATRONS OXFORD OFFICES**

97 TECHNOLOGY PARK DRIVE  
PORTLAND, MAINE 04102  
UNITED STATES OF AMERICA



THIS DRAWING IS THE PROPERTY OF SCOTT SIMONS ARCHITECTS (SSA) AND IS NOT TO BE COPIED OR REPRODUCED IN PART OR WHOLE. 2016 © SCOTT SIMONS ARCHITECTS, LLC

REVISION:

NO.	DATE
1	DATE
2	DATE
3	DATE
4	DATE
5	DATE
6	DATE

DATE OF ISSUE: 14 JANUARY 2016  
PROJECT NUMBER: 2105-0100 PATRONS OXFORD  
STATUS: CONSTRUCTION DOCUMENTS

**VERTICAL CIRCULATION**

**A501**