

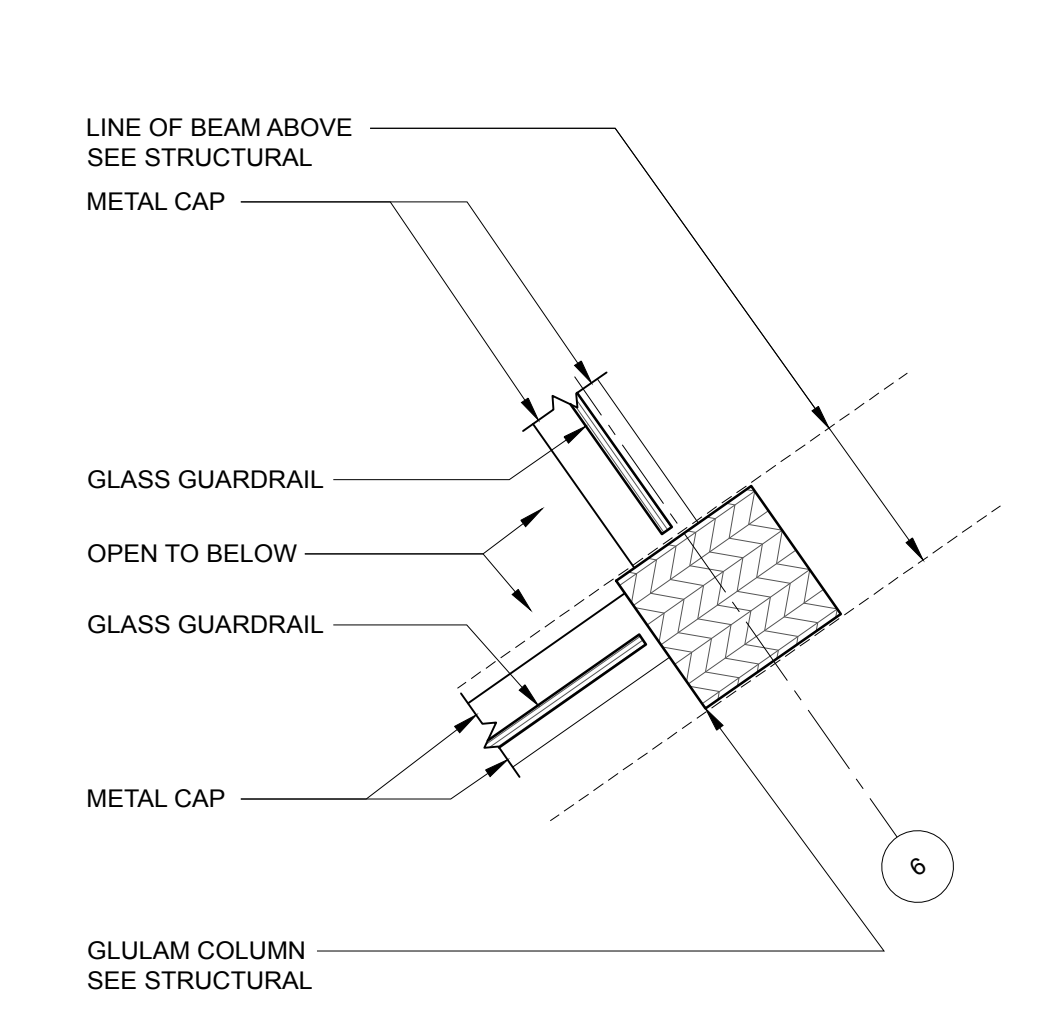
REVISION:

1	DATE
2	DATE
3	DATE
4	DATE
5	DATE
6	DATE

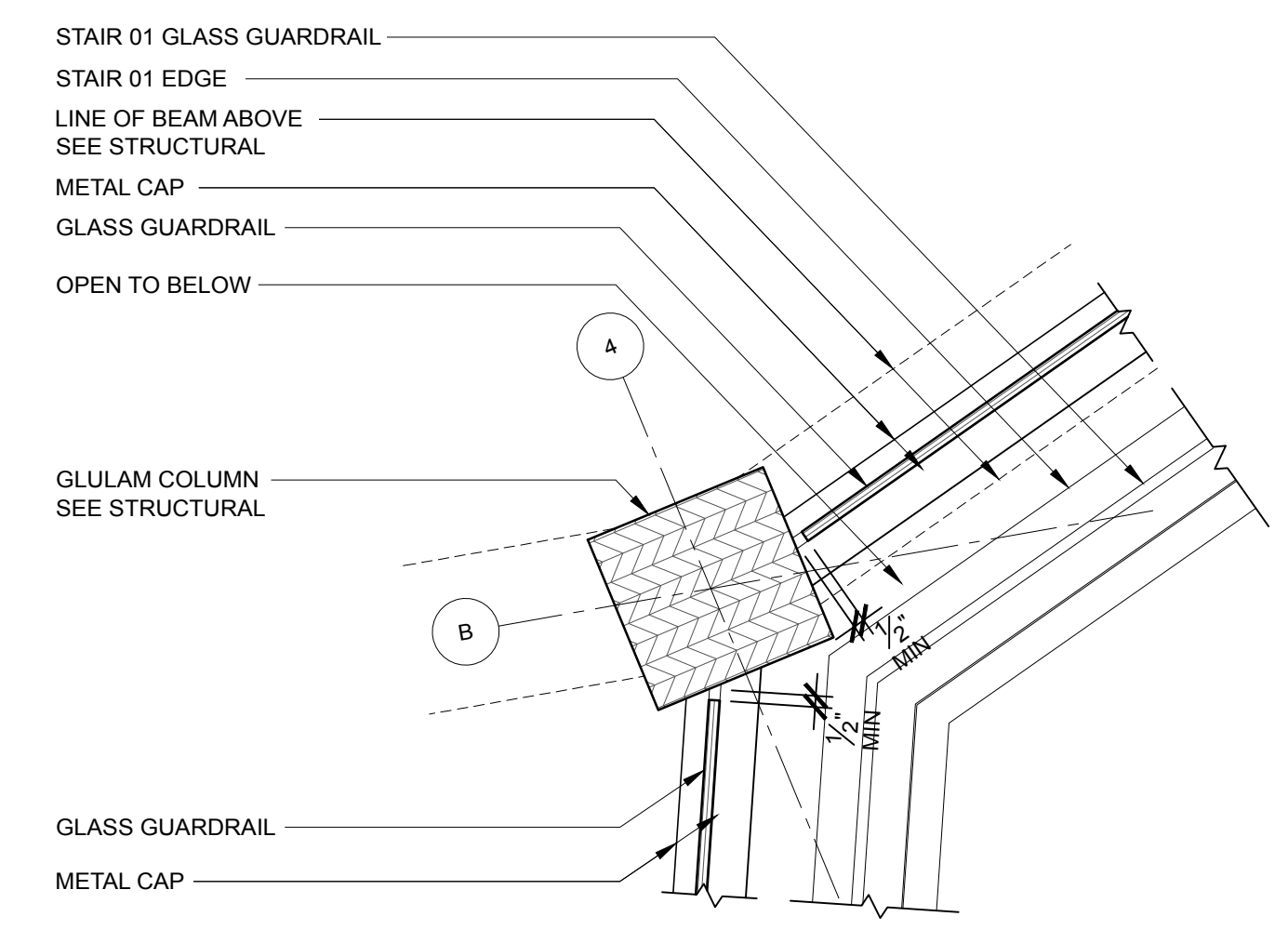
DATE OF ISSUE: 14 JANUARY 2016
PROJECT NUMBER: 2105-0100 PATRONS OXFORD
STATUS: CONSTRUCTION DOCUMENTS

PLAN DETAILS

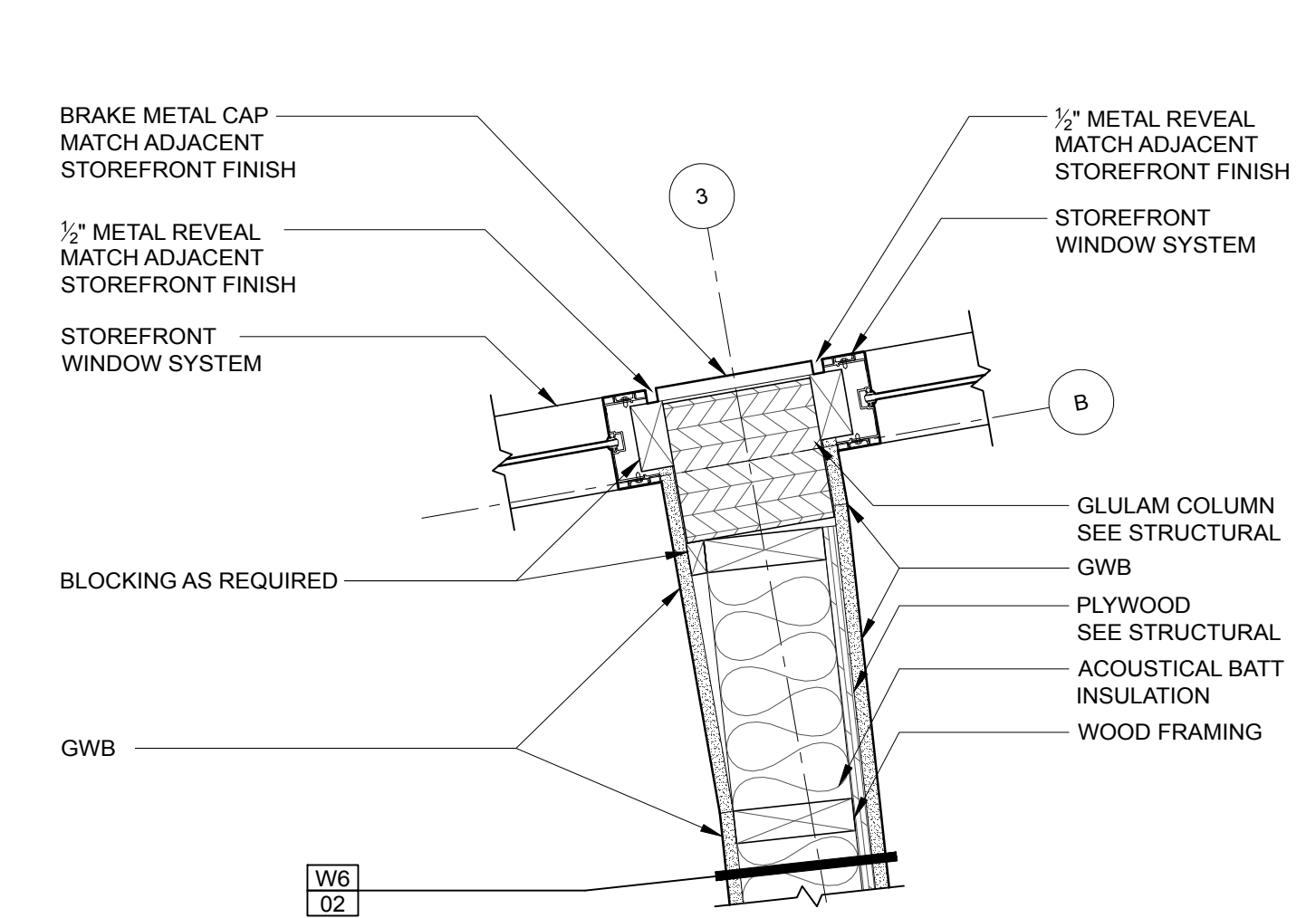
A405



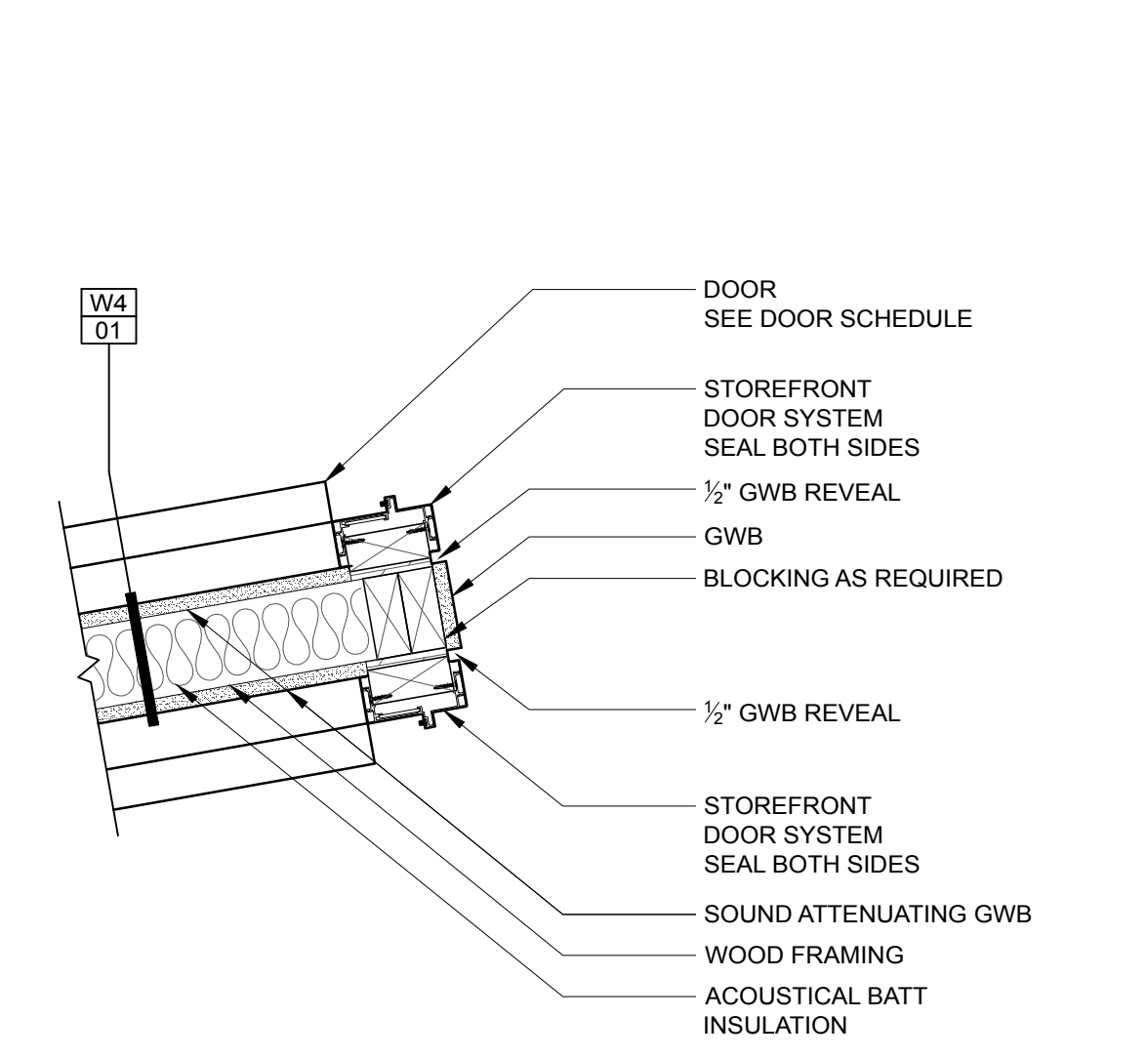
4 PLAN DETAIL
SCALE: 1-1/2" = 1'-0"



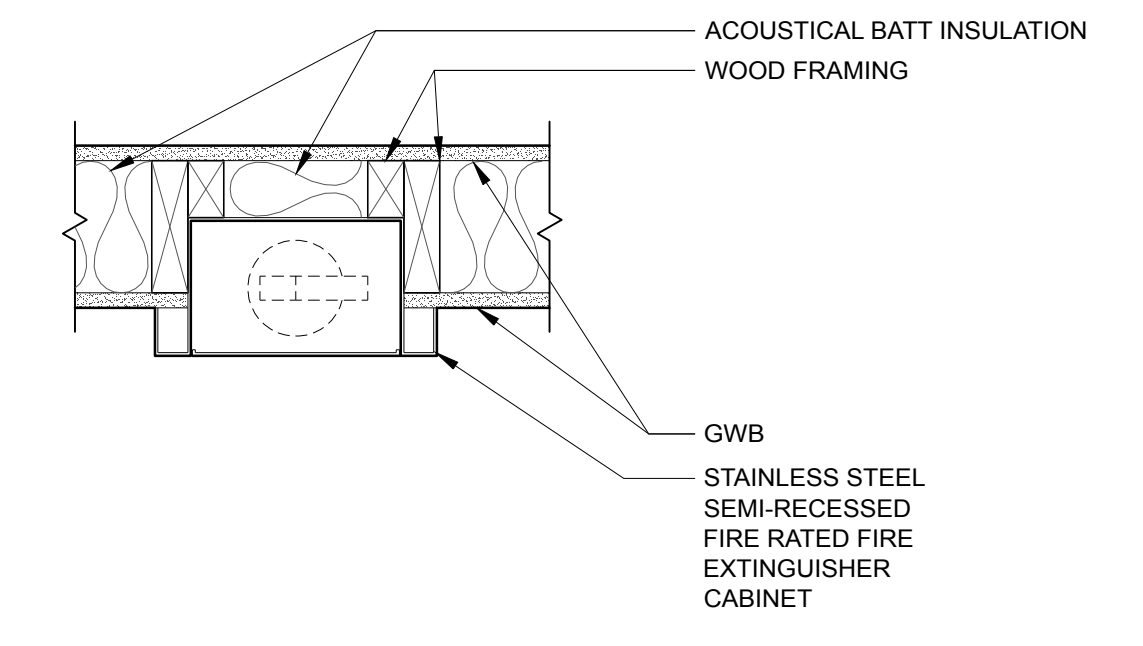
3 PLAN DETAIL
SCALE: 1-1/2" = 1'-0"



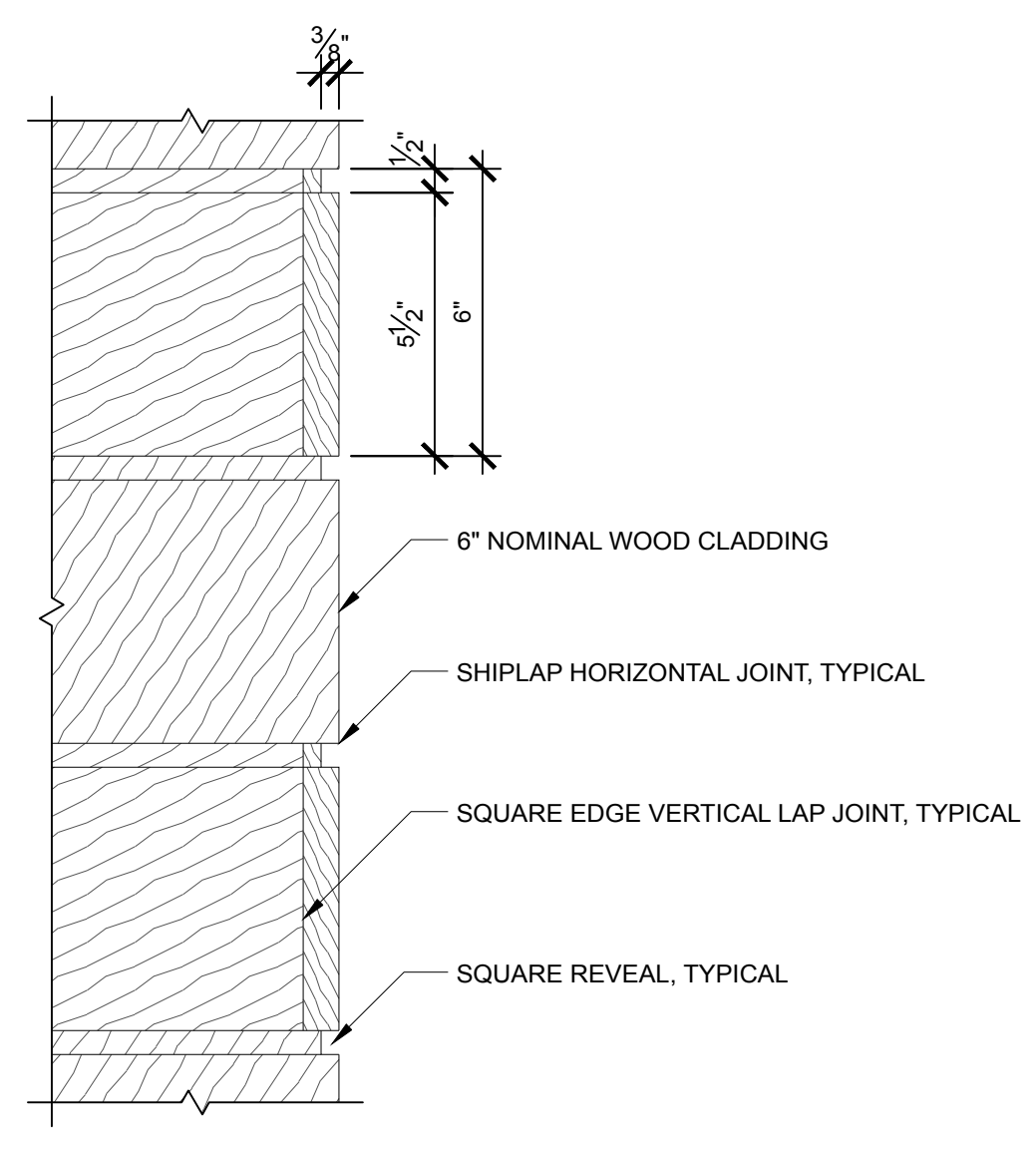
2 PLAN DETAIL
SCALE: 1-1/2" = 1'-0"



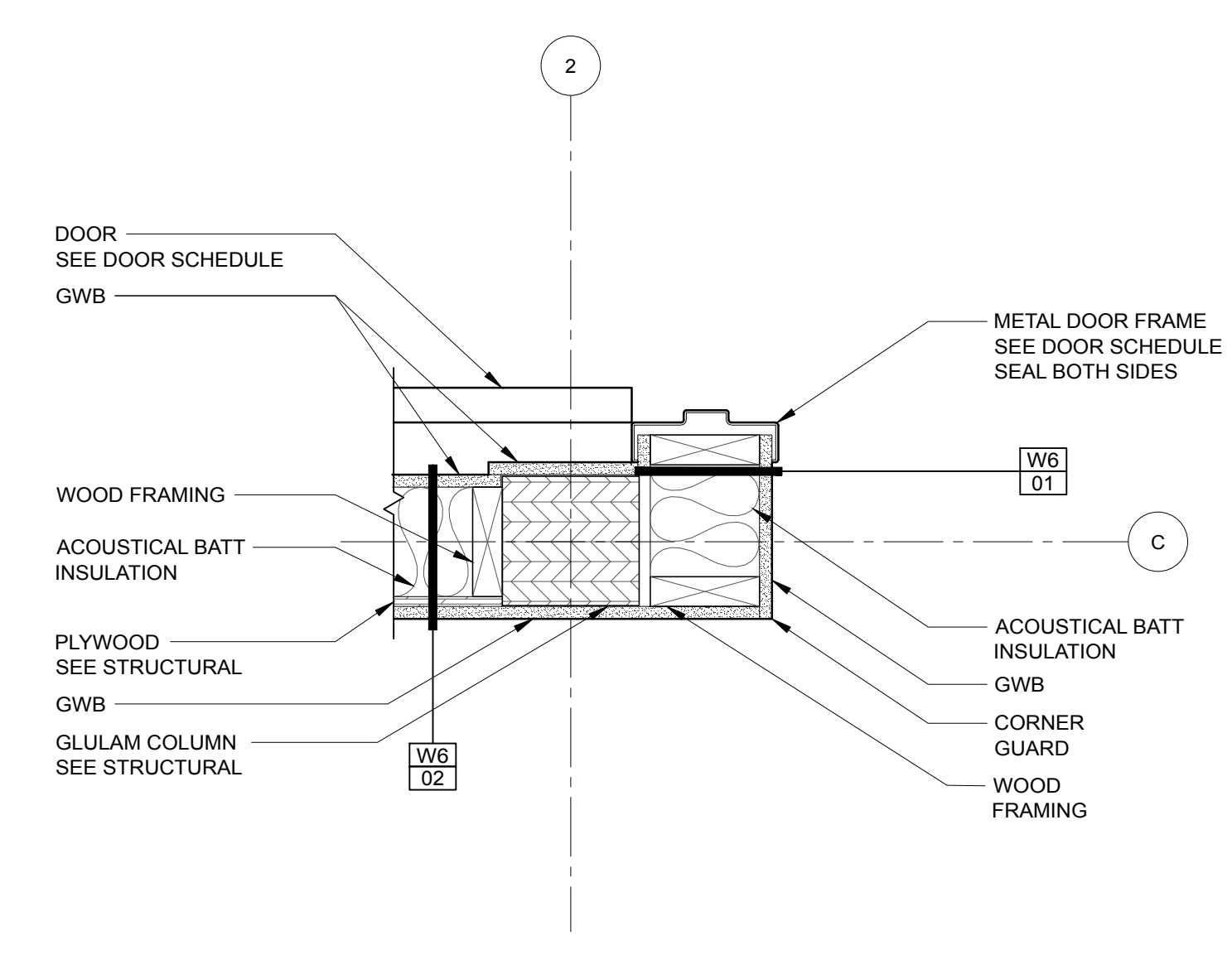
1 PLAN DETAIL
SCALE: 1-1/2" = 1'-0"



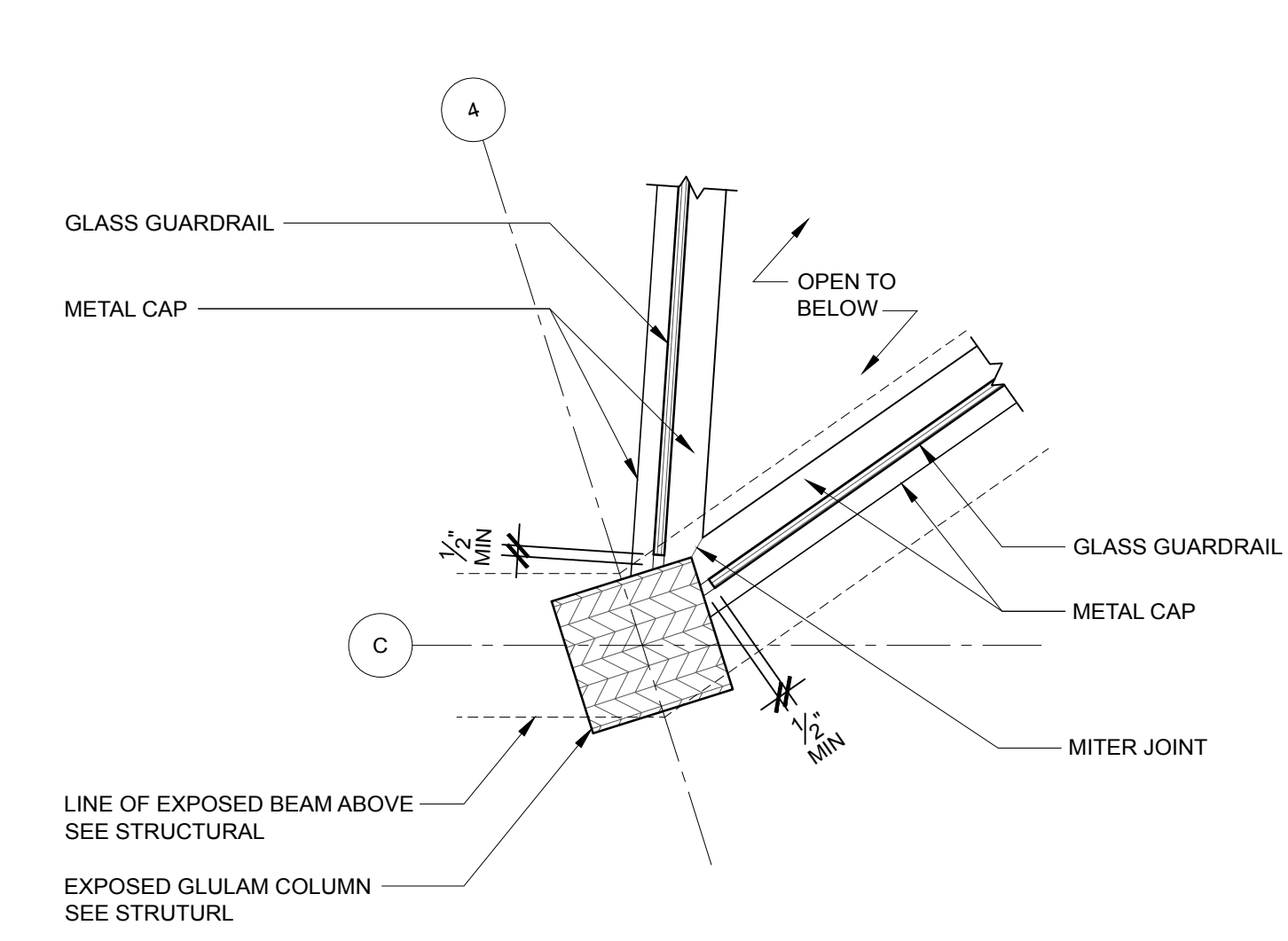
8 FE CABINET PLAN DETAIL, TYPICAL
SCALE: 1-1/2" = 1'-0"



7 ELEVATION DETAIL
SCALE: 3" = 1'-0"



6 PLAN DETAIL
SCALE: 1-1/2" = 1'-0"



5 PLAN DETAIL
SCALE: 1-1/2" = 1'-0"