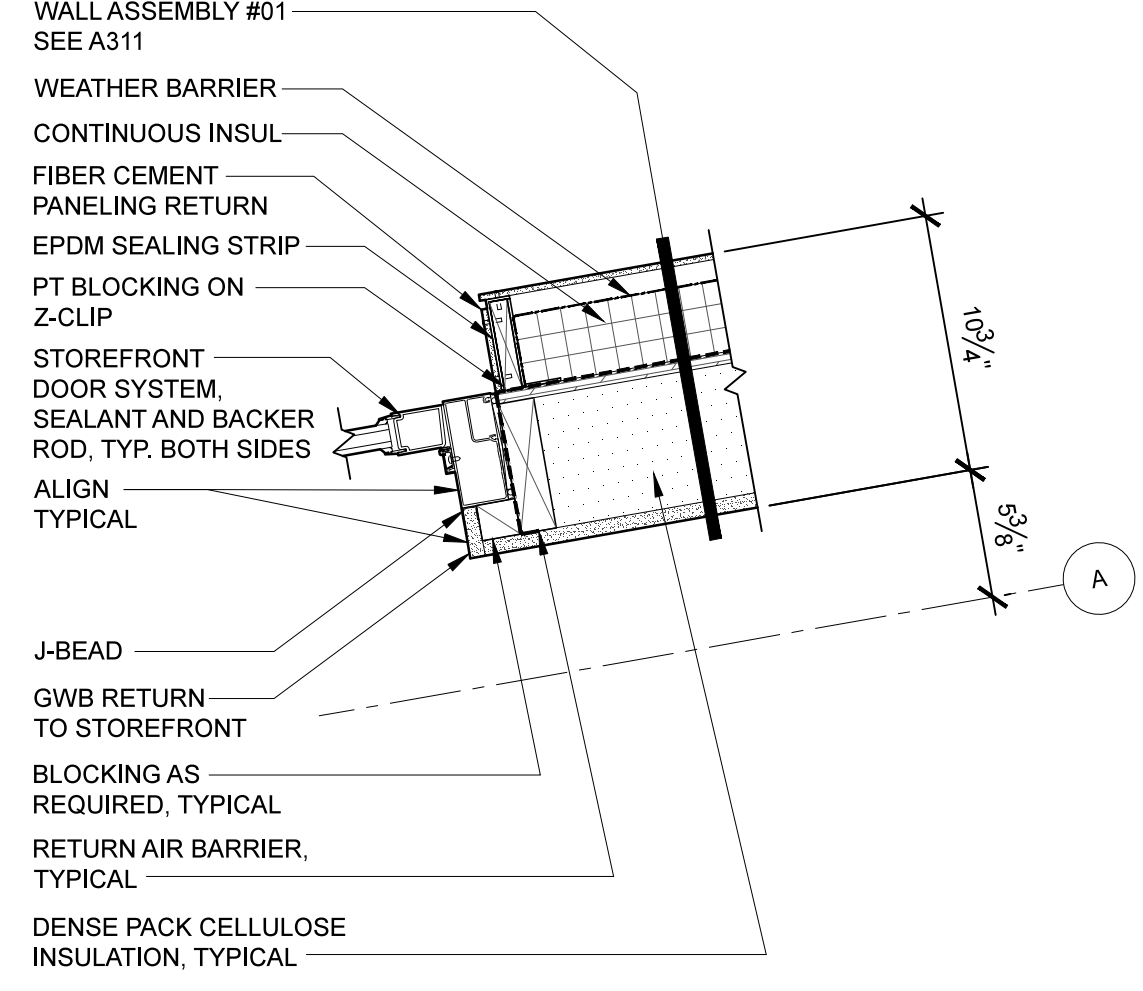
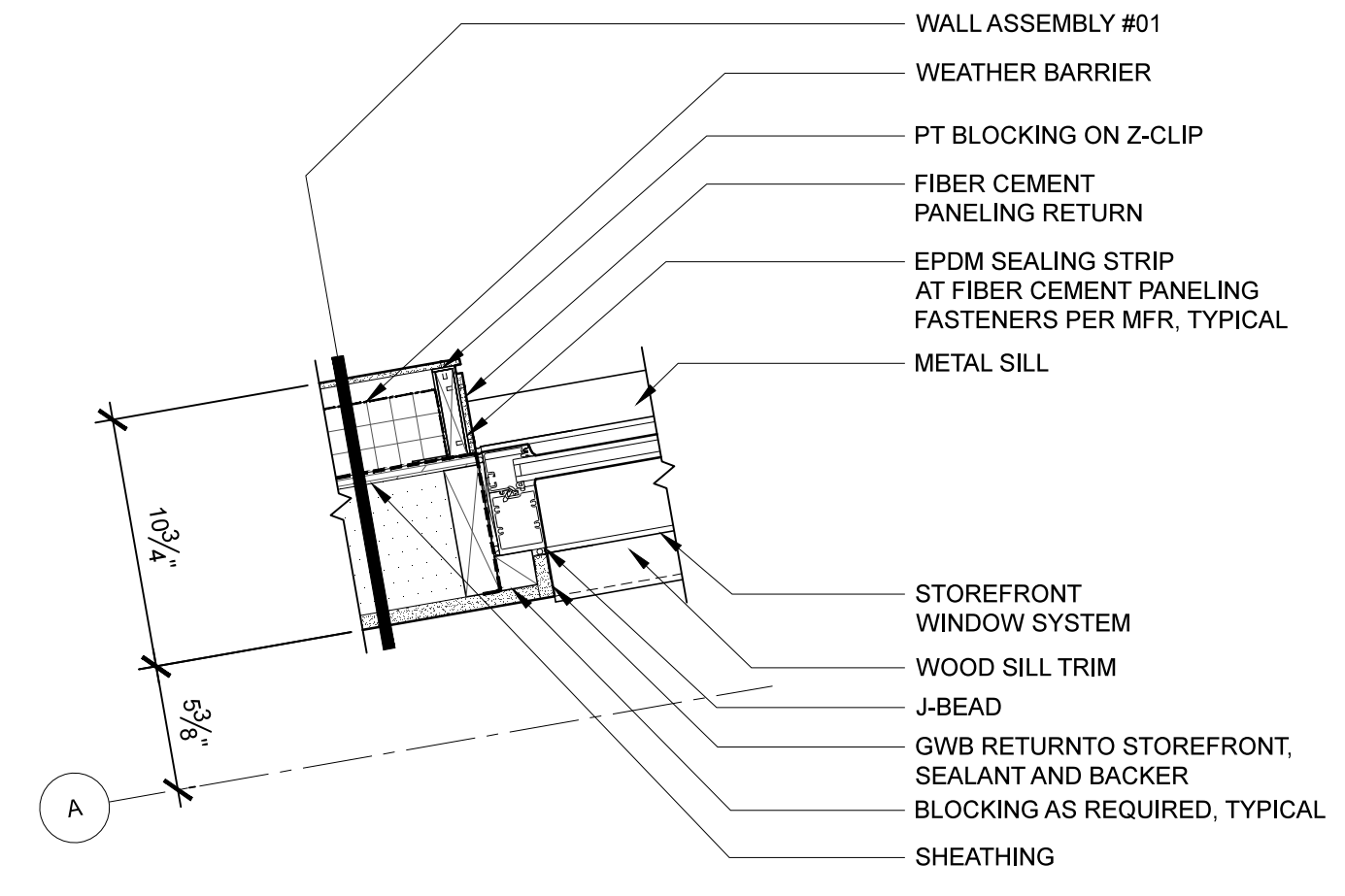


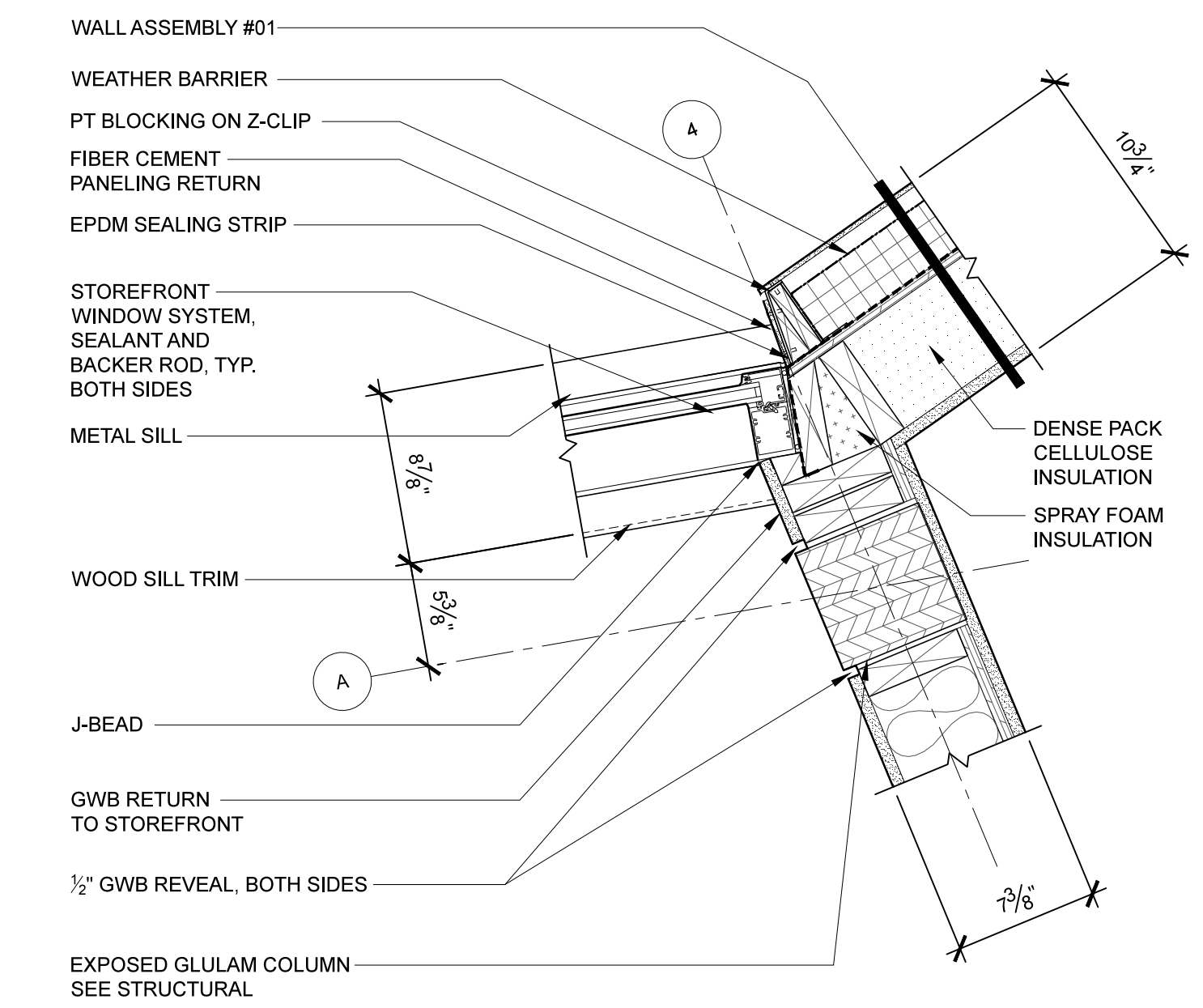
1 PLAN DETAIL
SCALE: 1-1/2" = 1'-0"



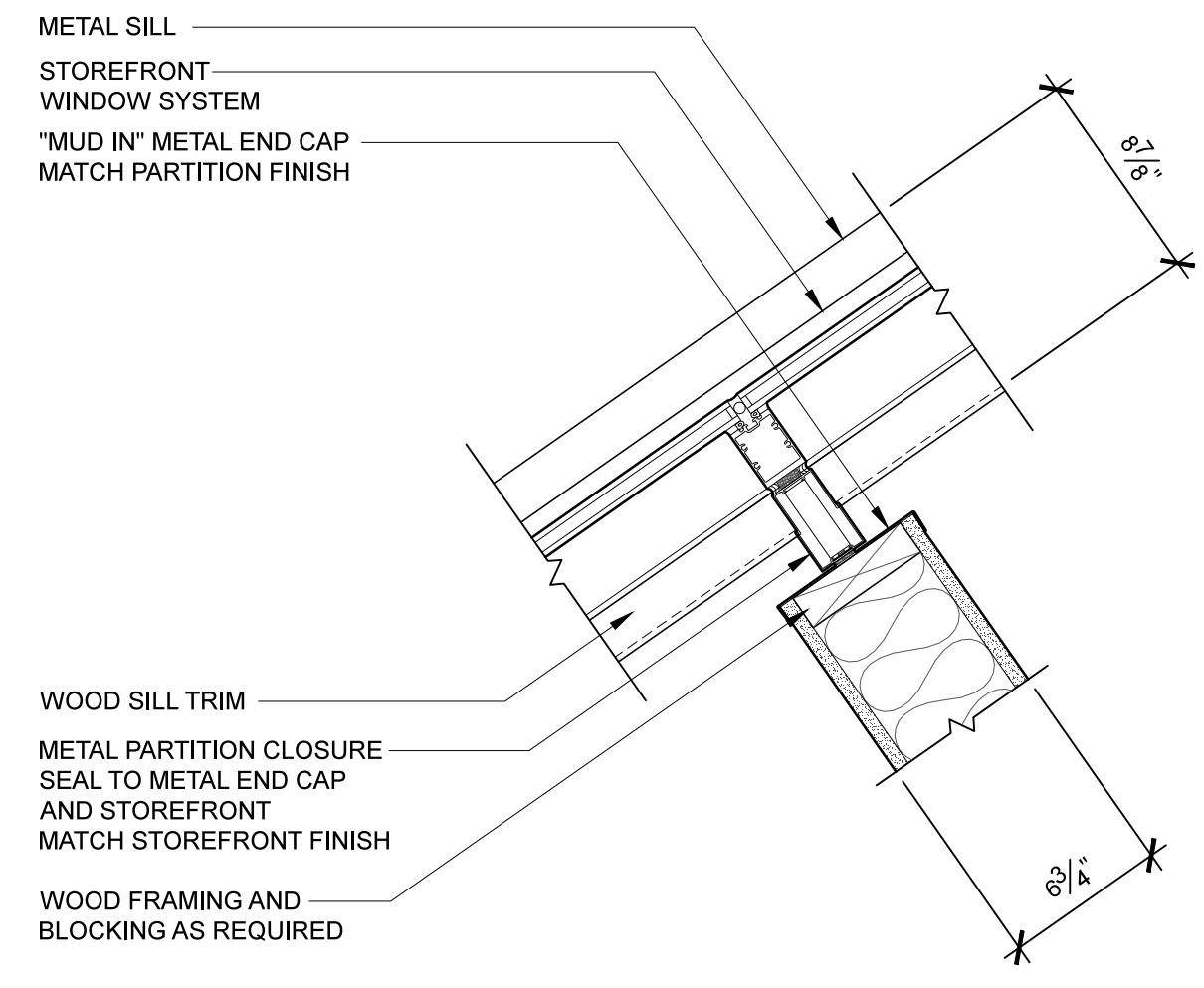
2 PLAN DETAIL
SCALE: 1-1/2" = 1'-0"



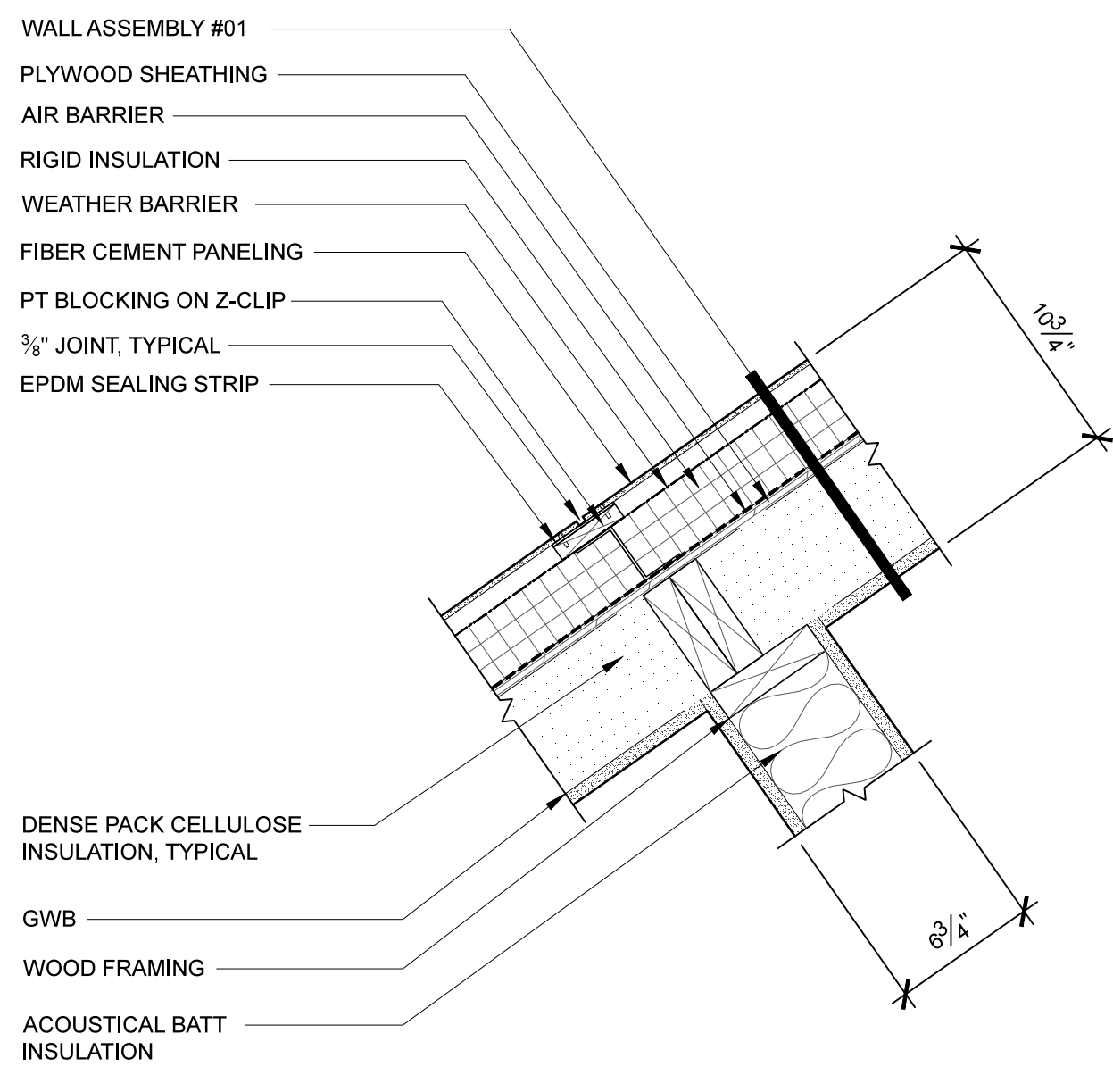
3 PLAN DETAIL
SCALE: 1-1/2" = 1'-0"



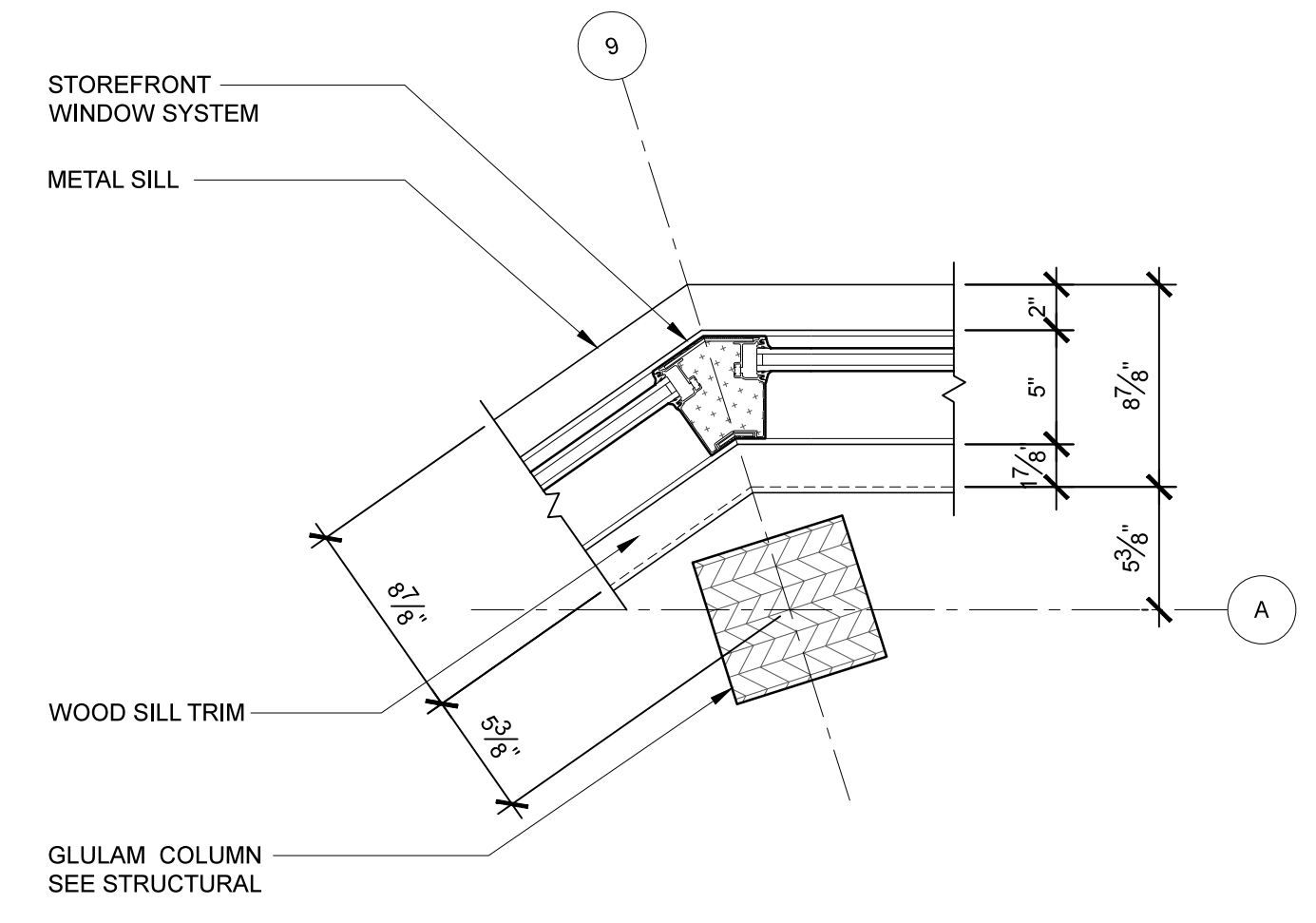
4 PLAN DETAIL
SCALE: 1-1/2" = 1'-0"



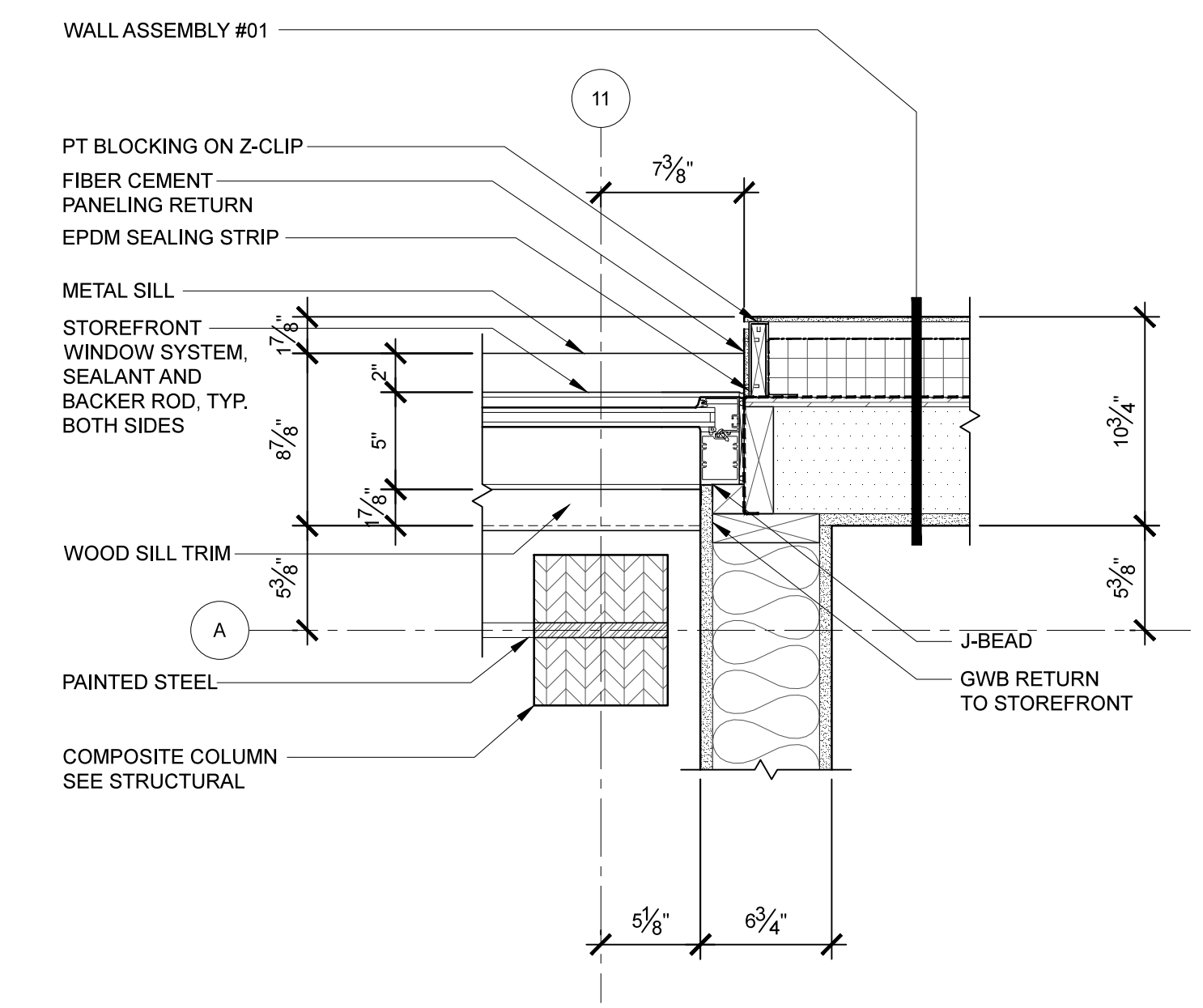
5 PLAN DETAIL
SCALE: 1-1/2" = 1'-0"



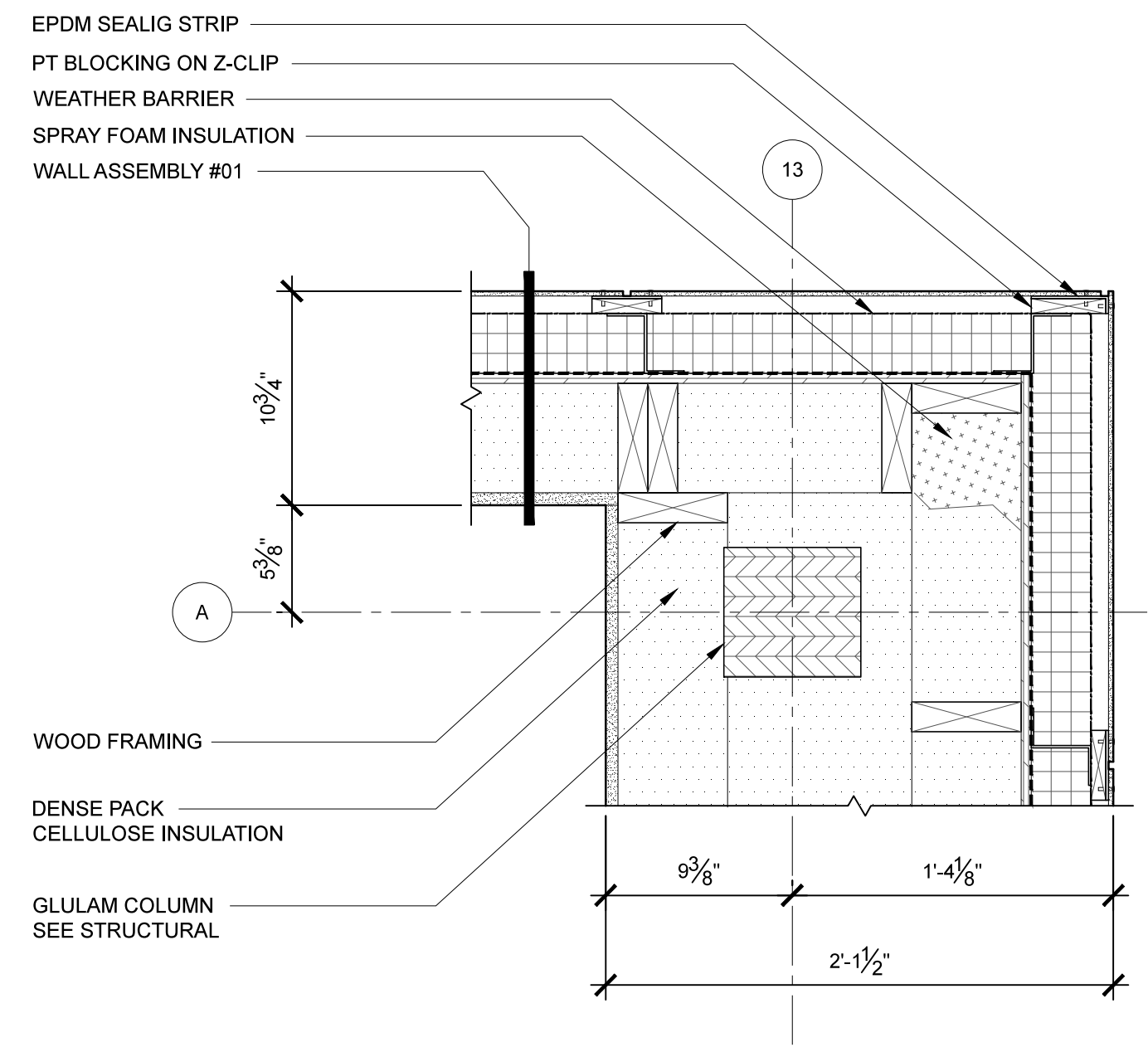
6 PLAN DETAIL
SCALE: 1-1/2" = 1'-0"



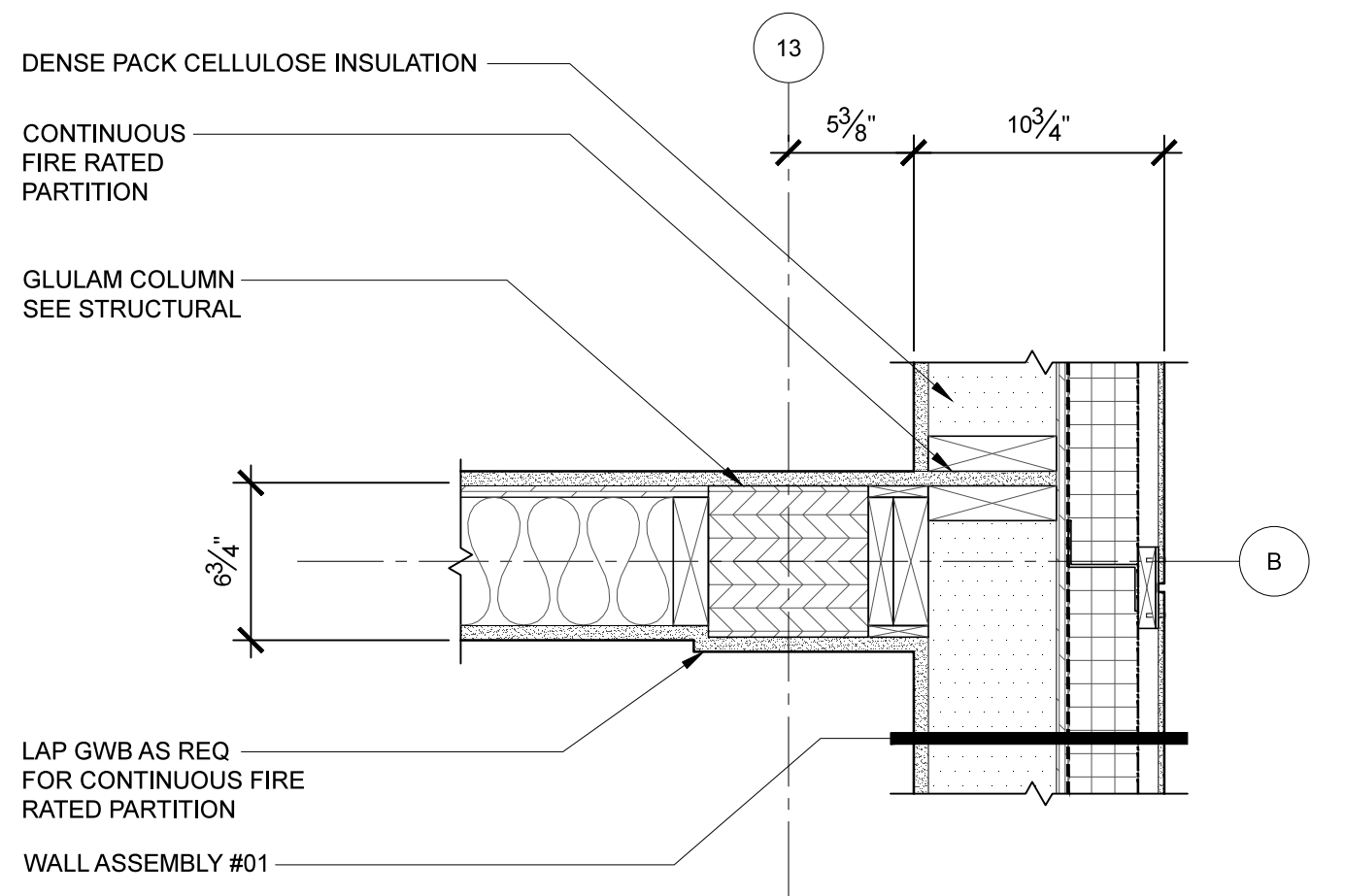
7 PLAN DETAIL
SCALE: 1-1/2" = 1'-0"



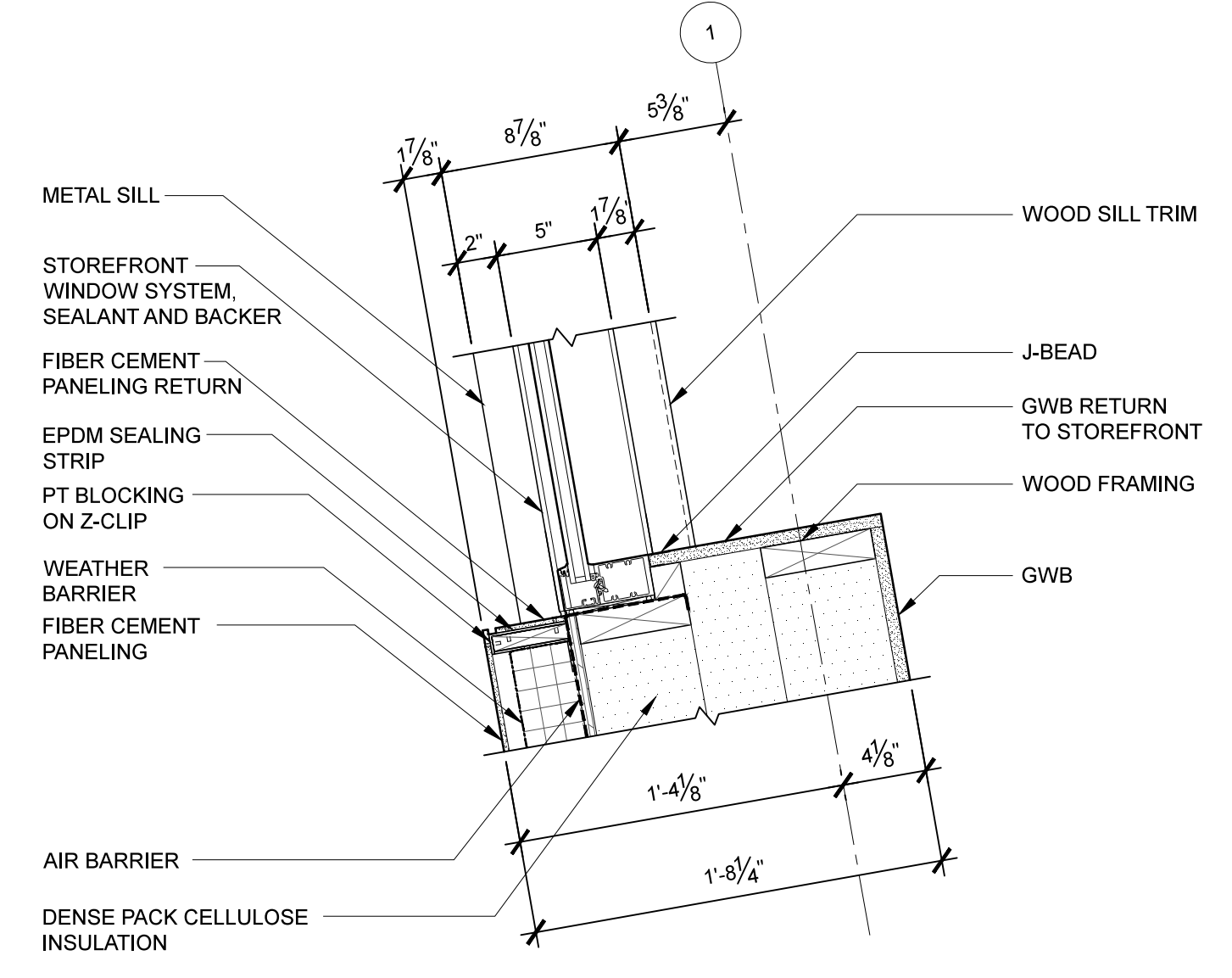
8 PLAN DETAIL
SCALE: 1-1/2" = 1'-0"



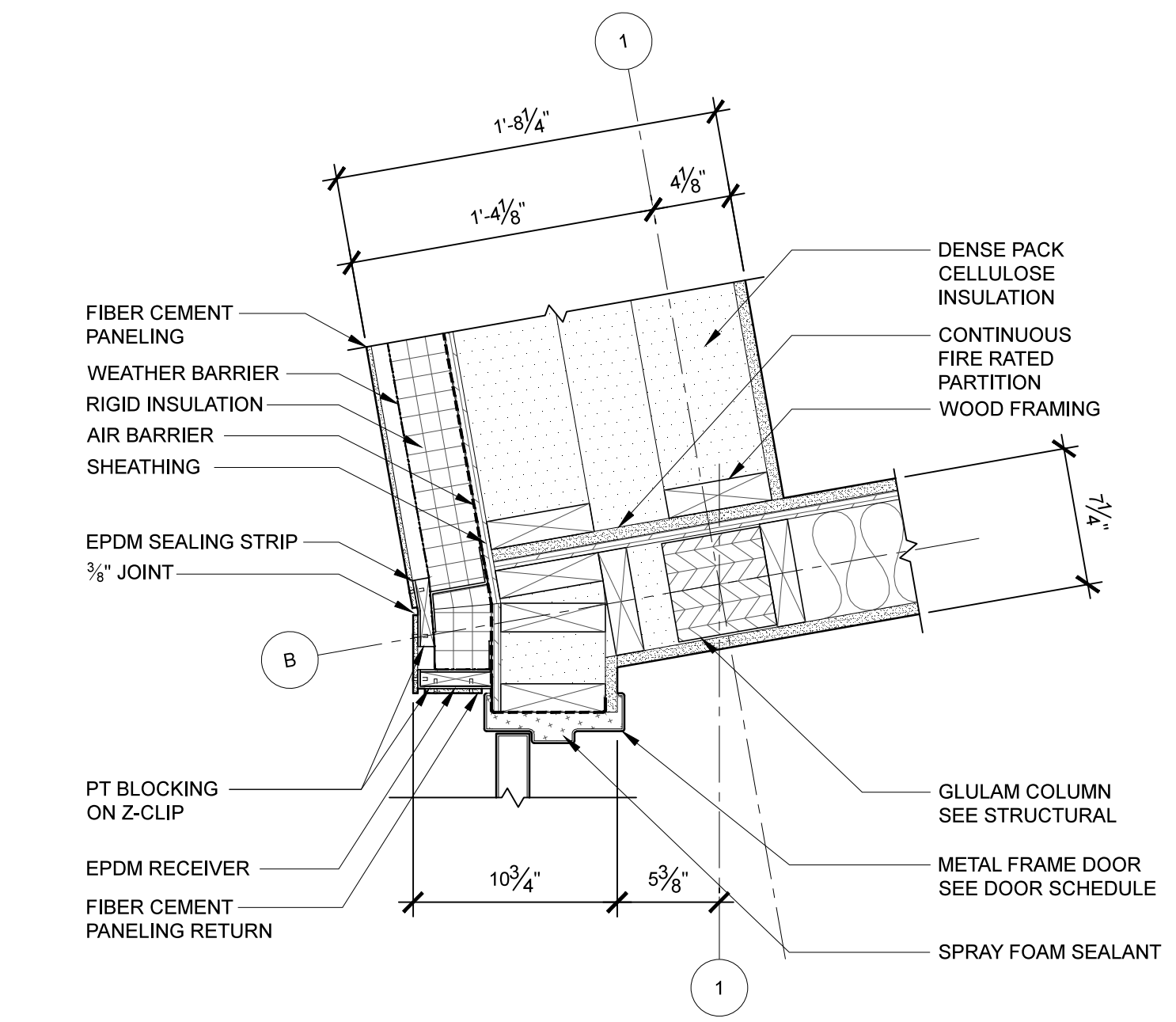
9 PLAN DETAIL
SCALE: 1-1/2" = 1'-0"



10 PLAN DETAIL
SCALE: 1-1/2" = 1'-0"



11 PLAN DETAIL
SCALE: 1-1/2" = 1'-0"

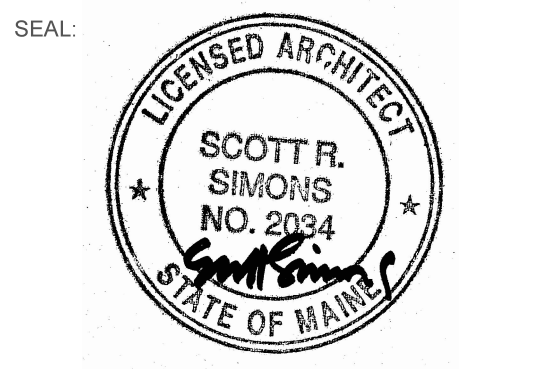


12 PLAN DETAIL
SCALE: 1-1/2" = 1'-0"



75 York Street
Portland, Maine 04101
simonsarchitects.com
207.772.4656

PROJECT NAME:
PATRONS OXFORD OFFICES
97 TECHNOLOGY PARK DRIVE
PORTLAND, MAINE 04102
UNITED STATES OF AMERICA



THIS DRAWING IS THE PROPERTY OF SCOTT SIMONS ARCHITECTS (SSA) AND IS NOT TO BE COPIED OR REPRODUCED IN PART OR WHOLE
2016 © SCOTT SIMONS ARCHITECTS, LLC

REVISION:

1	DATE
2	DATE
3	DATE
4	DATE
5	DATE
6	DATE

DATE OF ISSUE: 14 JANUARY 2016
PROJECT NUMBER: 2105-0102 PATRONS OXFORD
STATUS: CONSTRUCTION DOCUMENTS

PLAN DETAILS

A401