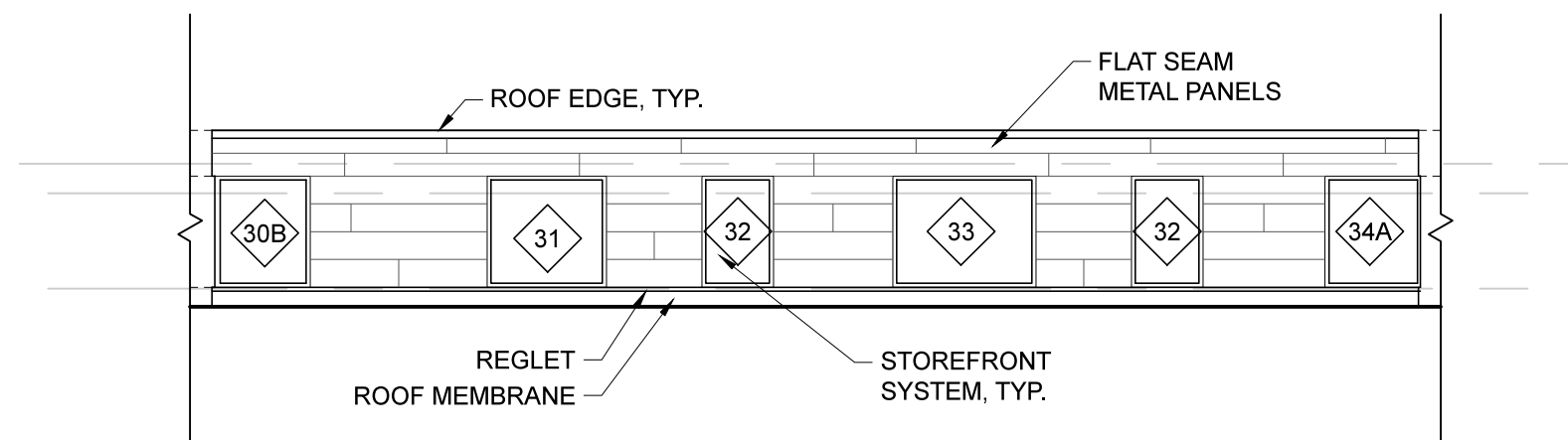
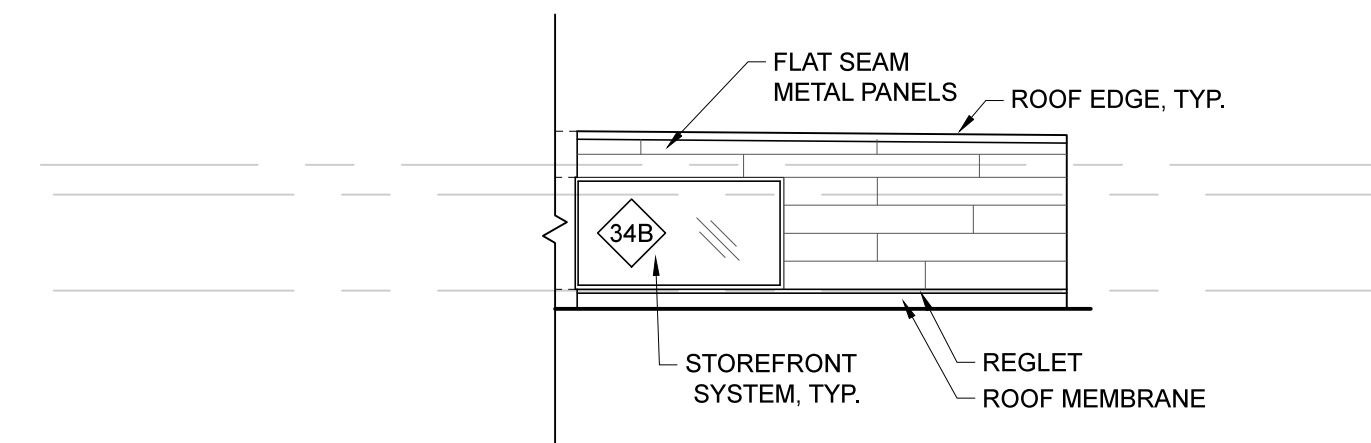


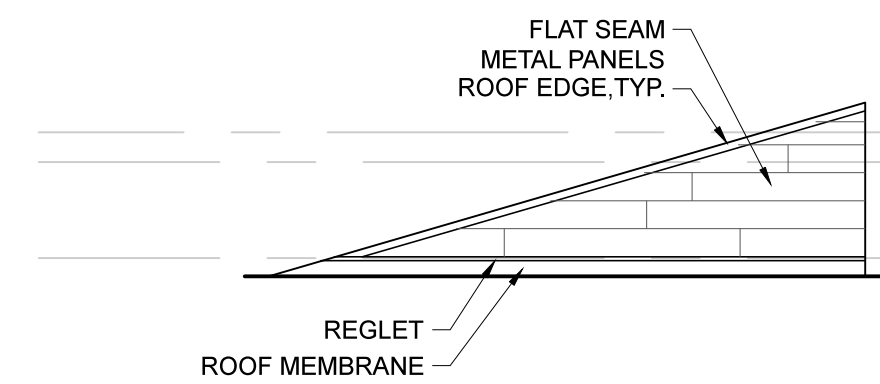
1A NORTH ELEVATION  
SCALE: 1/8" = 1'-0"



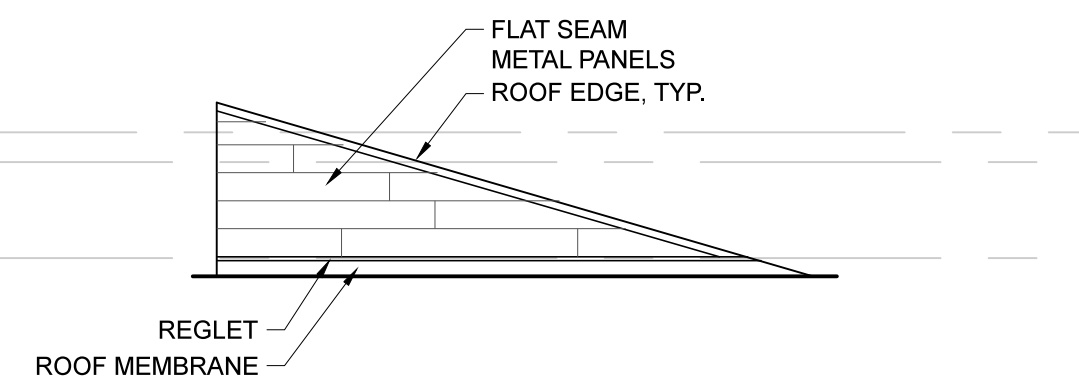
1B NORTH ELEVATION  
SCALE: 1/8" = 1'-0"



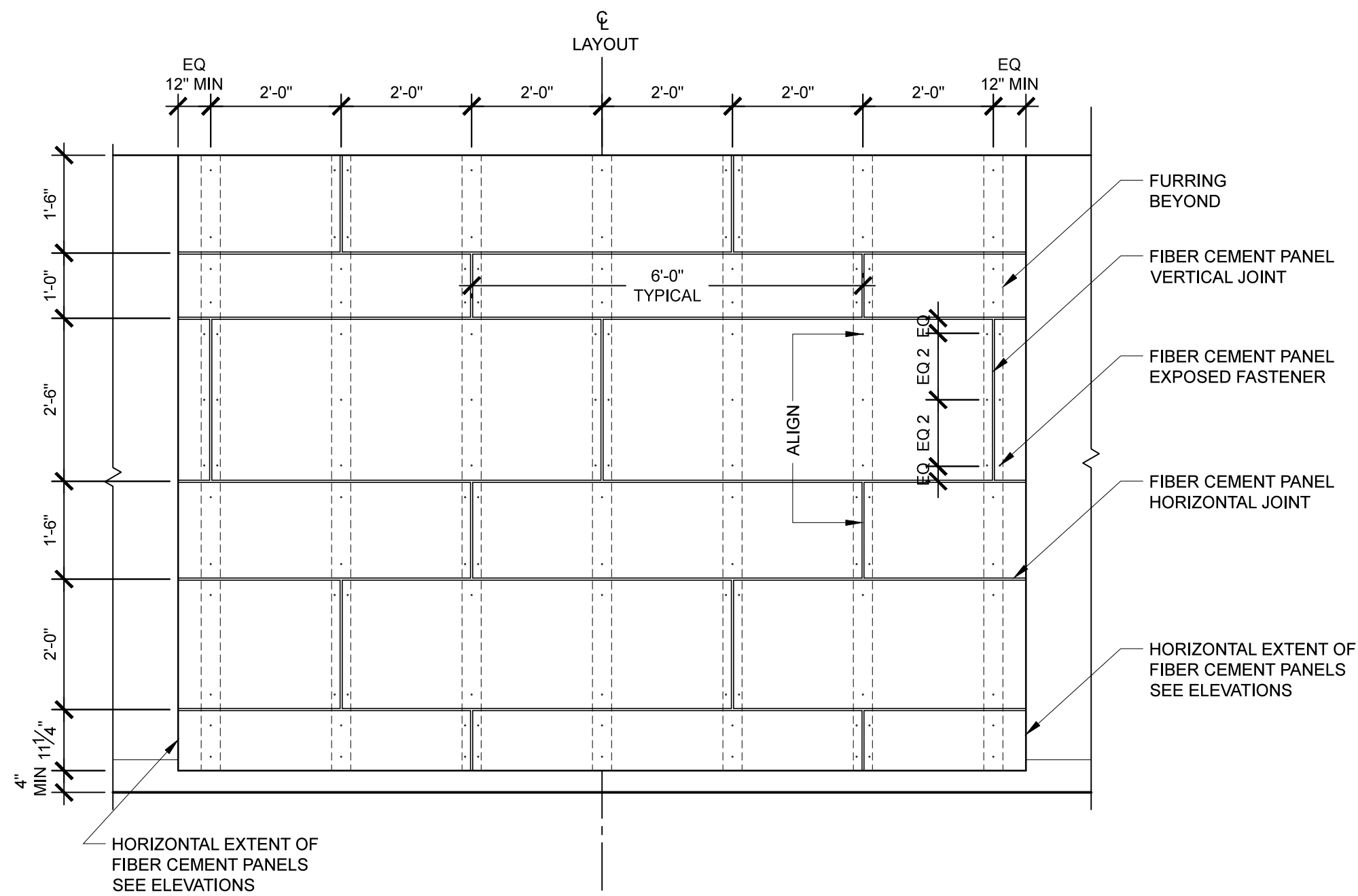
1C NORTH ELEVATION  
SCALE: 1/8" = 1'-0"



2 EAST ELEVATION  
SCALE: 1/8" = 1'-0"



3 WEST ELEVATION  
SCALE: 1/8" = 1'-0"



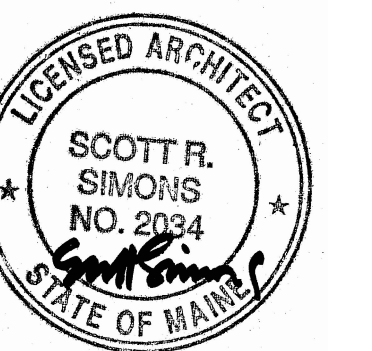
5 FIBER CEMENT PANEL LAYOUT PATTERN, TYPICAL  
SCALE: 1/2" = 1'-0"

PROJECT NAME:

**PATRONS OXFORD OFFICES**

97 TECHNOLOGY PARK DRIVE  
PORTLAND, MAINE 04102  
UNITED STATES OF AMERICA

SEAL:



THIS DRAWING IS THE PROPERTY OF SCOTT SIMONS ARCHITECTS (SSA) AND IS NOT TO BE COPIED OR REPRODUCED IN PART OR WHOLE 2016 © SCOTT SIMONS ARCHITECTS, LLC

REVISION:

NO.	DATE
1	DATE
2	DATE
3	DATE
4	DATE
5	DATE
6	DATE

DATE OF ISSUE: 14 JANUARY 2016  
PROJECT NUMBER: 2105-0100 PATRONS OXFORD  
STATUS: CONSTRUCTION DOCUMENTS

**BUILDING ELEVATIONS**

**A202**