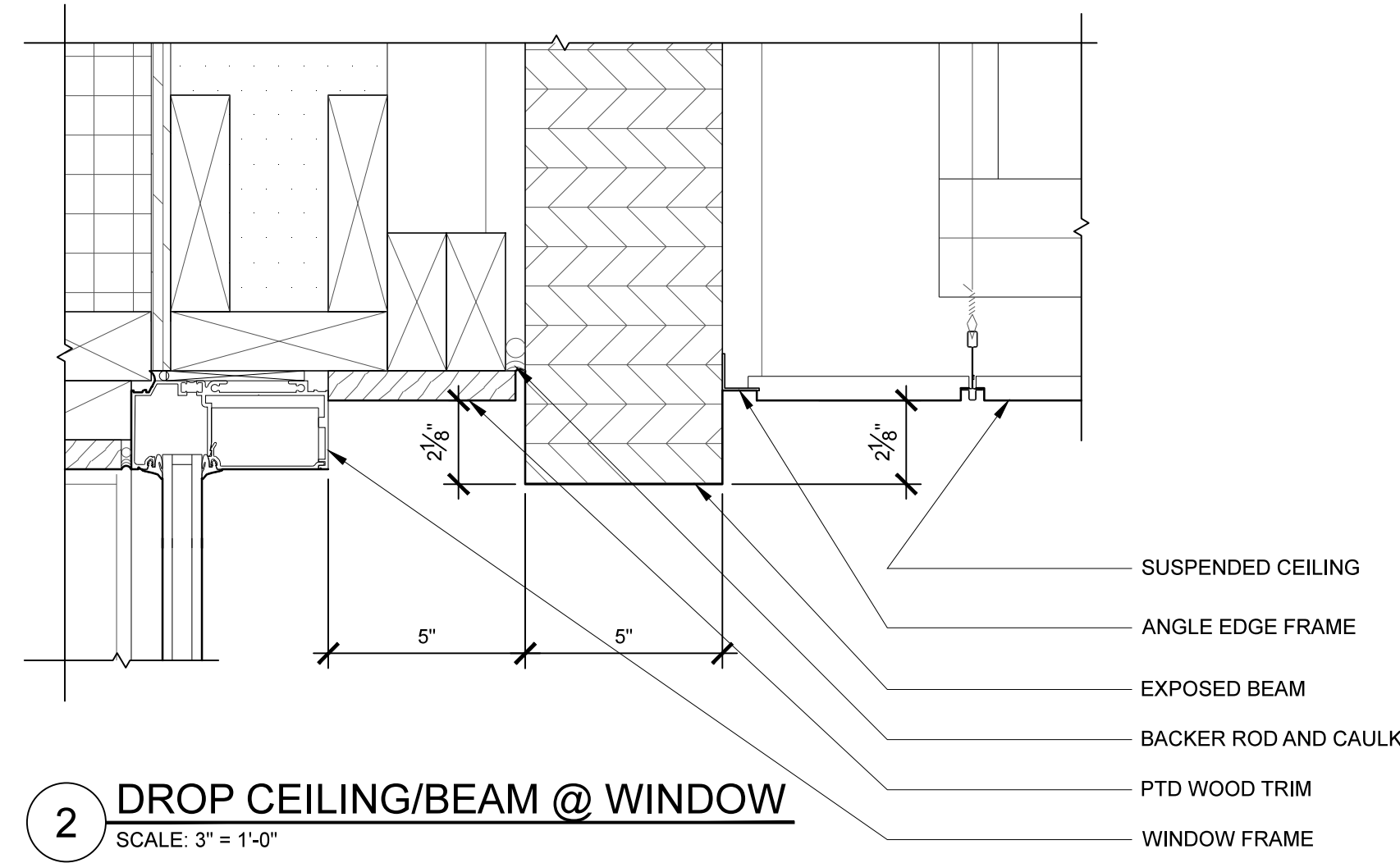
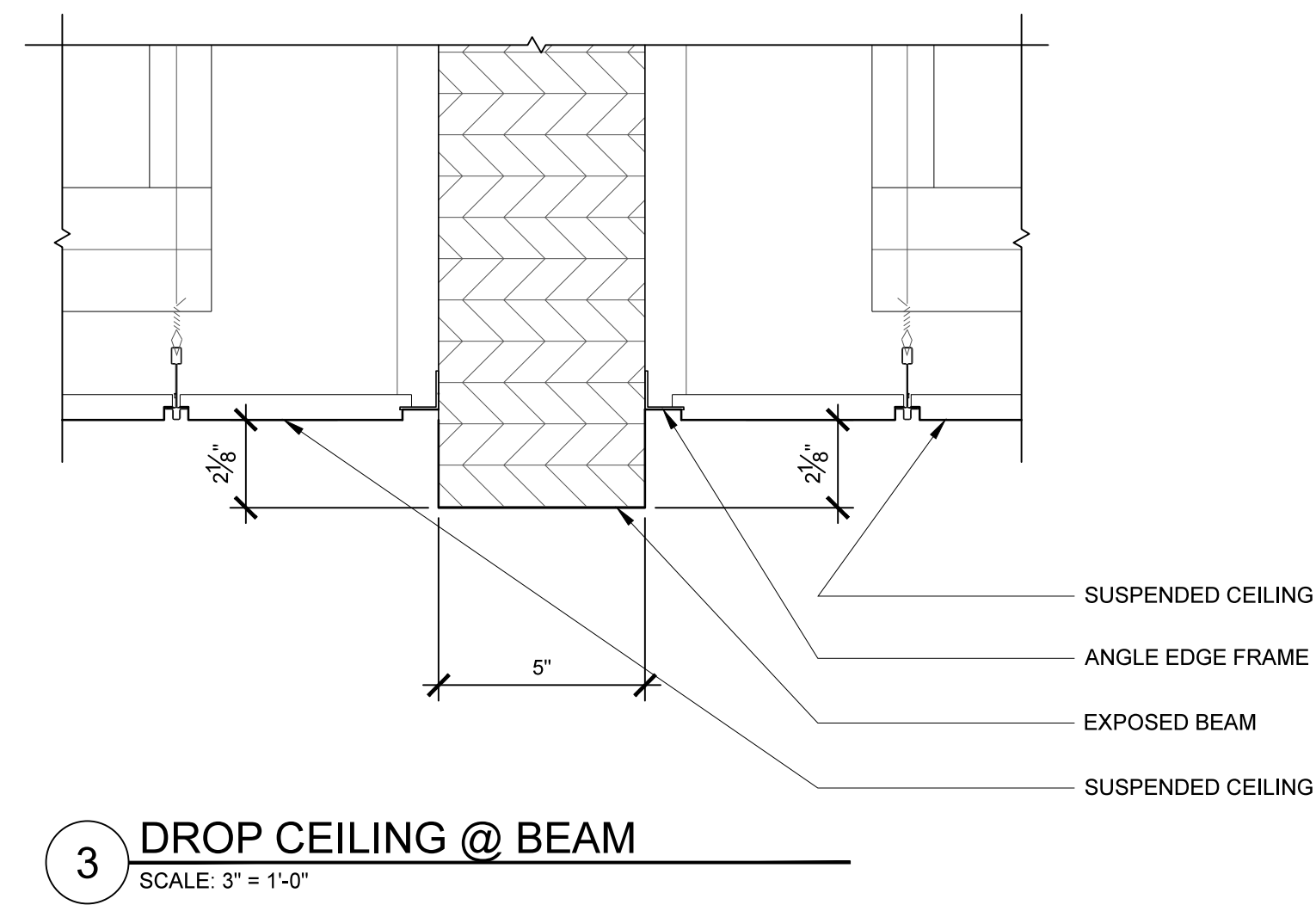


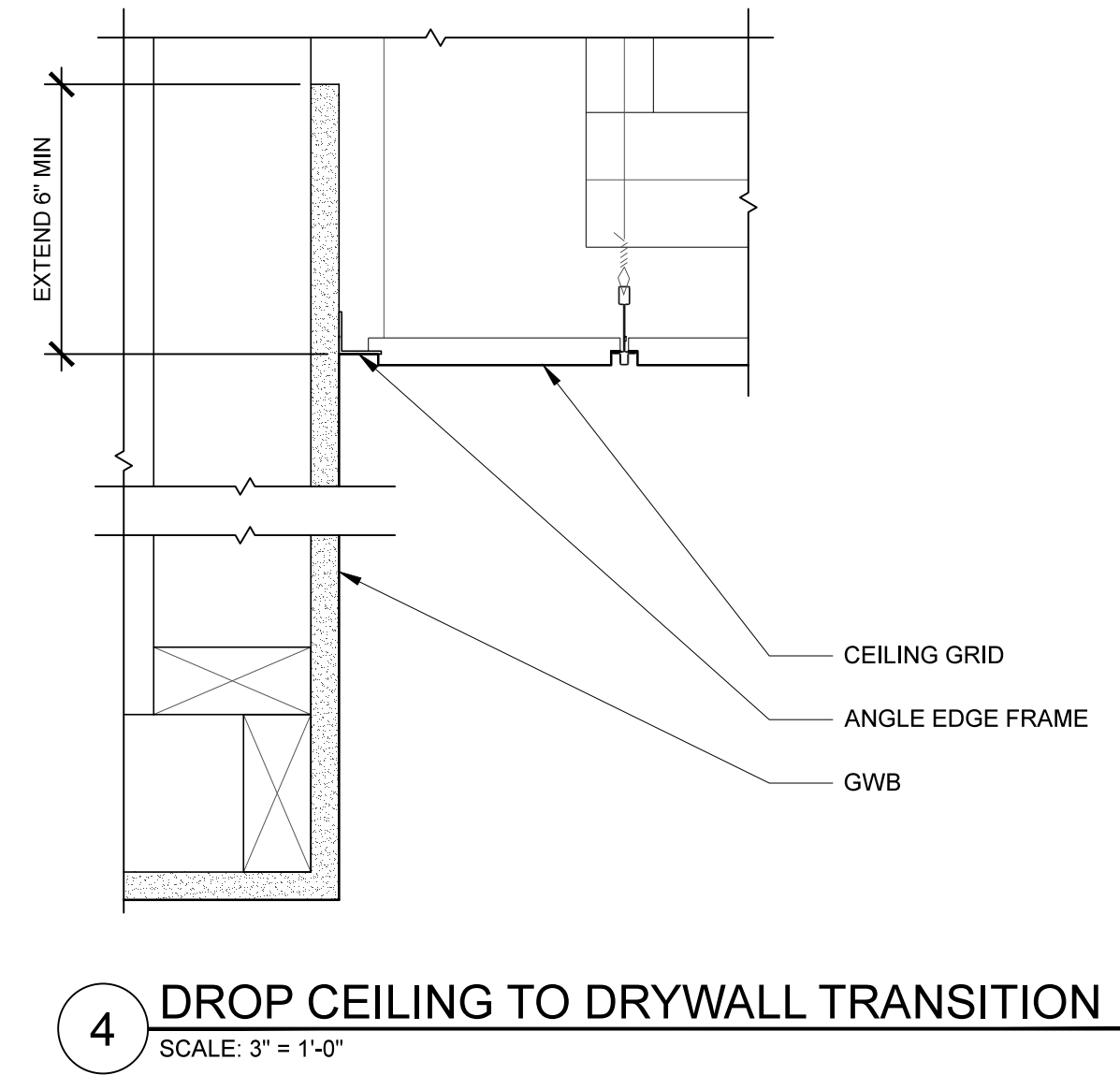
1 DROP CEILING @ WINDOW
SCALE: 3" = 1'-0"



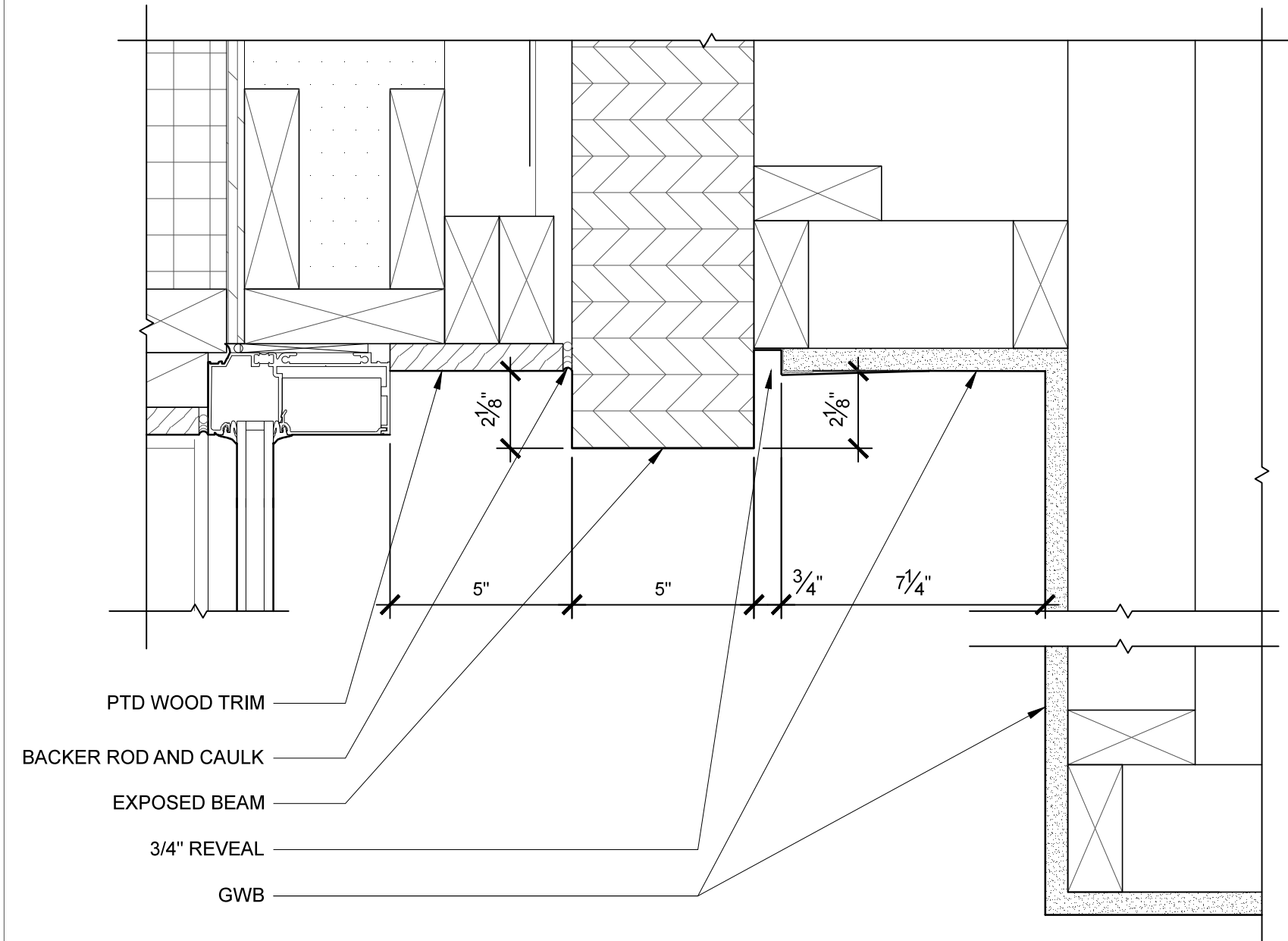
2 DROP CEILING/BEAM @ WINDOW
SCALE: 3" = 1'-0"



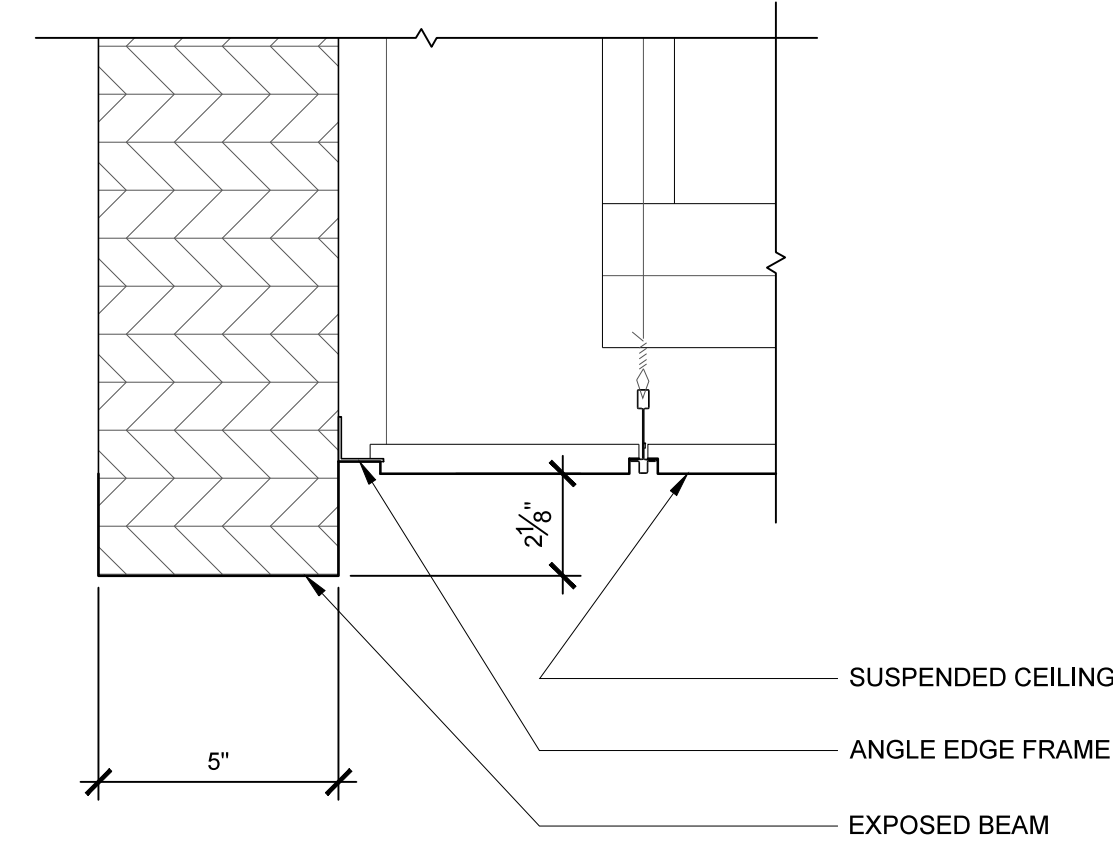
3 DROP CEILING @ BEAM
SCALE: 3" = 1'-0"



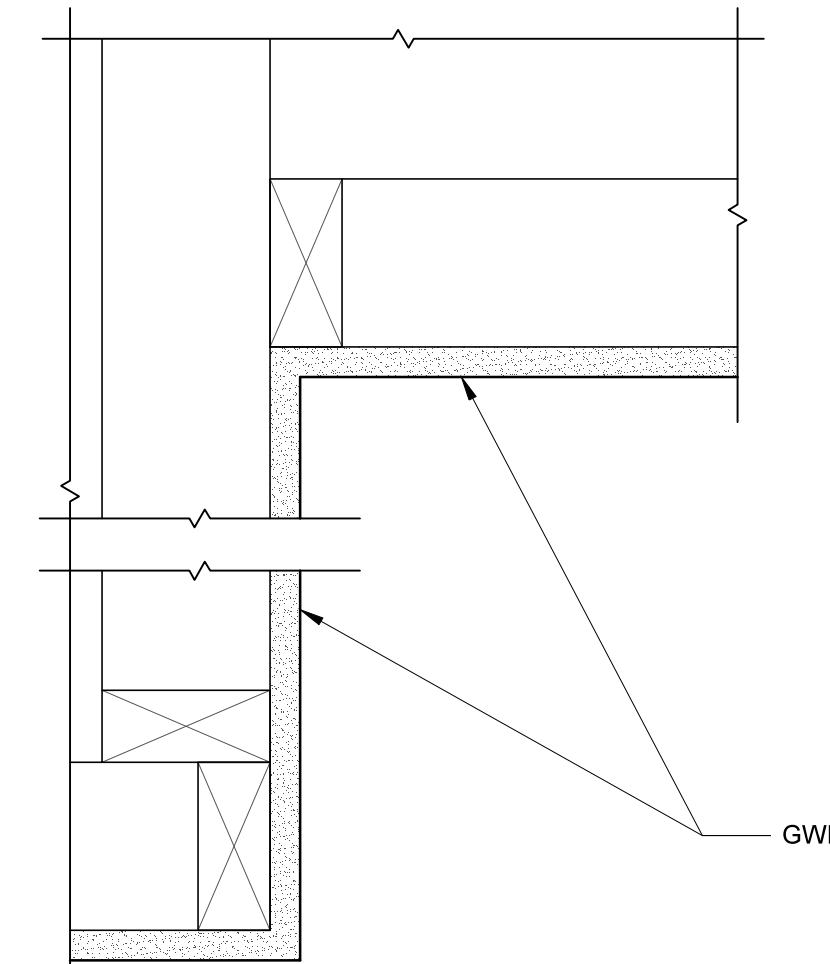
4 DROP CEILING TO DRYWALL TRANSITION
SCALE: 3" = 1'-0"



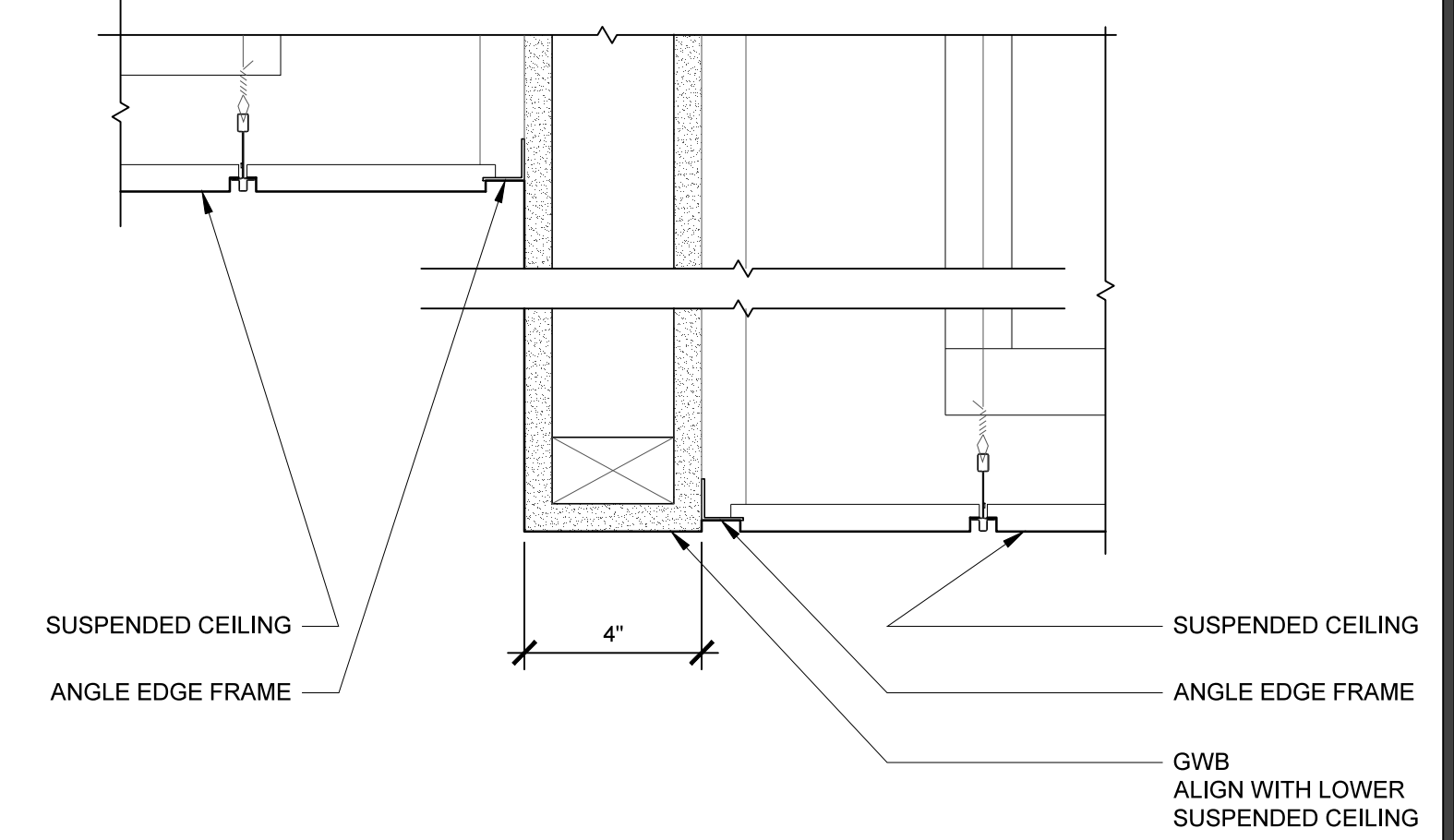
5 DROP CEILING @ BEAM
SCALE: 3" = 1'-0"



6 DROP CEILING/BEAM @ CLERESTORY
SCALE: 3" = 1'-0"



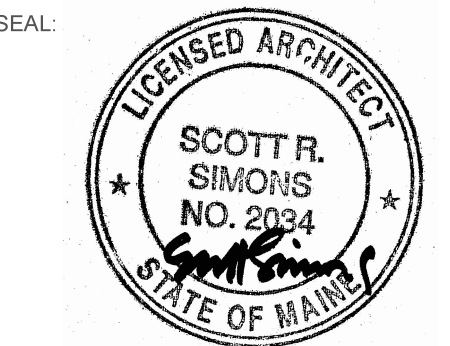
7 DROP CEILING/BEAM @ GWB SOFFIT
SCALE: 3" = 1'-0"



8 DROP CEILING/BEAM @ CLERESTORY
SCALE: 3" = 1'-0"

PROJECT NAME:
PATRONS OXFORD OFFICES

97 TECHNOLOGY PARK DRIVE
PORTLAND, MAINE 04102
UNITED STATES OF AMERICA



THIS DRAWING IS THE PROPERTY OF SCOTT SIMONS ARCHITECTS (SSA) AND IS NOT TO BE COPIED OR REPRODUCED IN PART OR WHOLE. 2016 © SCOTT SIMONS ARCHITECTS, LLC

REVISION:

| 1 | DATE |
|---|------|
| 2 | DATE |
| 3 | DATE |
| 4 | DATE |
| 5 | DATE |
| 6 | DATE |

DATE OF ISSUE: 14 JANUARY 2016
PROJECT NUMBER: 2105-0100 PATRONS OXFORD
STATUS: CONSTRUCTION DOCUMENTS

REFLECTED CEILING PLAN DETAILS