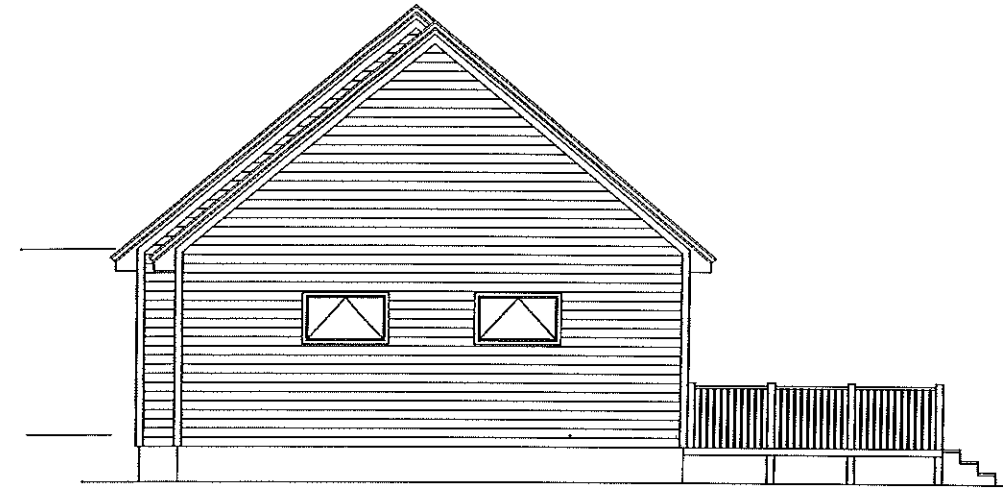
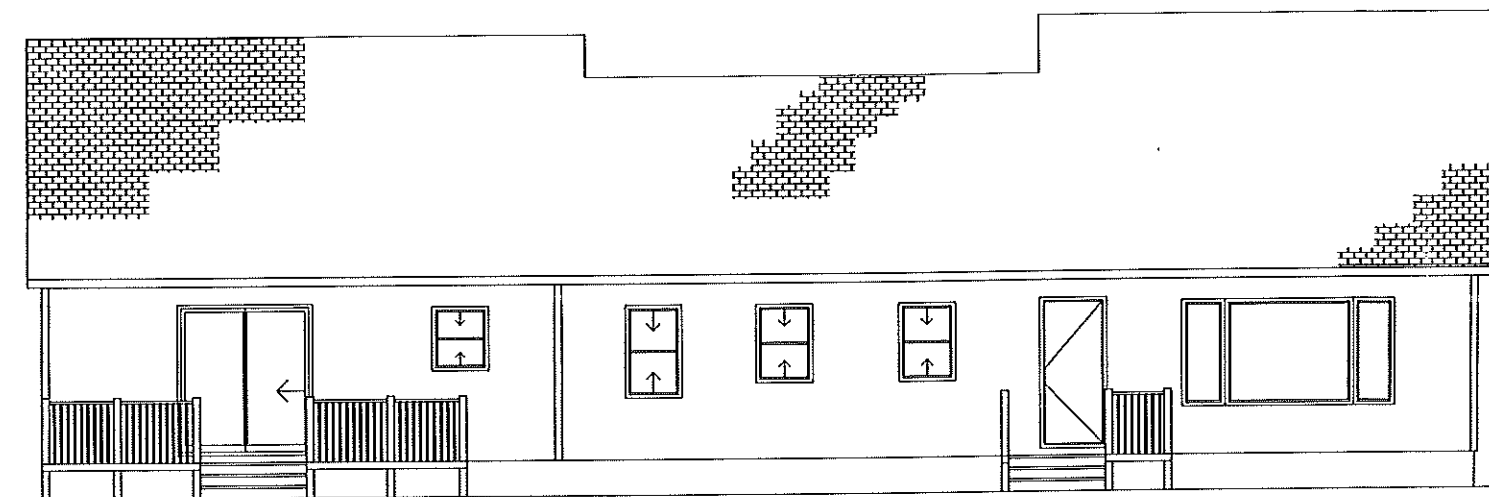


1 FRONT ELEVATION
1/4" = 1'-0"



3 RIGHT ELEVATION
1/4" = 1'-0"



2 REAR ELEVATION
1/4" = 1'-0"

NOTE:
THIS DRAWING IS PROVIDED FOR INFORMATIONAL PURPOSES ONLY.
IF USED FOR CONSTRUCTION THE CONTRACTOR ASSUMES ALL RESPONSIBILITY
FOR LOCAL CODE COMPLIANCE.
ALL DRAWINGS, PLANS, SPECIFICATIONS ETC. ARE PROVIDED TO OUR
CLIENTS BASED UPON INFORMATION PROVIDED BY THE CLIENT
AND DRAWN IN ACCORDANCE WITH COMMON BUILDING PRACTICES
AND LOCAL CODES. NONE OF THE EMPLOYEES OF FMC CADD DRAFTING
SERVICES, INC. ARE REGISTERED ARCHITECTS, ENGINEERS OR LAND
SURVEYORS. ALL DIMENSIONS AND SPECIFICATIONS SHOULD BE VERIFIED
BY CLIENT AND/OR CONTRACTOR BEFORE ACTUAL CONSTRUCTION
BEGINNS. IF DIMENSIONS AND SPECIFICATIONS ARE NOT VERIFIED
BY CLIENT AND/OR CONTRACTOR BEFORE ACTUAL CONSTRUCTION
BEGINNS FMC CADD DRAFTING SERVICES, INC. WILL BE HELD HARMLESS.
FMC CADD DRAFTING SERVICES, INC. ASSUMES NO LIABILITY FOR CHANGES
AND/OR REVISIONS MADE TO PLANS BY CLIENT AND/OR CONTRACTOR.

PROPERTY OF

FMC CADD
Engineering Resource Center
75 Bishop St.
Portland, Maine 04103
207-878-8311 Fax: 207-878-8315
E-mail: pep@fmcadd.com

GUZZARDI RESIDENCE

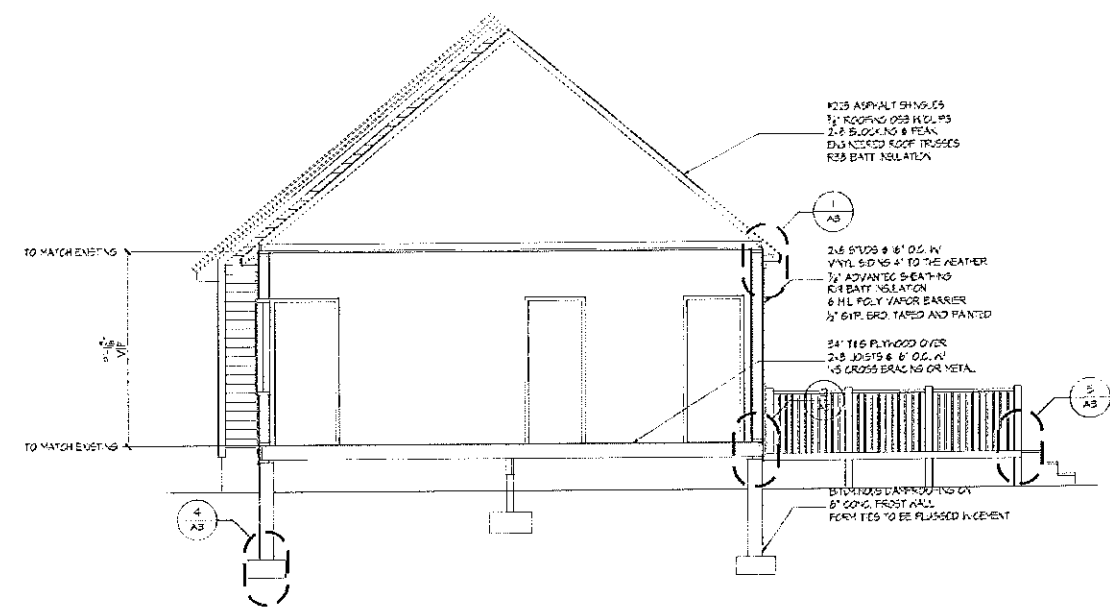
REVS:
CODE: 2003
TOWN: PORTLAND
DATE: 19 MAY 06
SCALE: AS NOTED
DRAWN: JO
TITLE:
ELEVATIONS

FILE: 08-0030

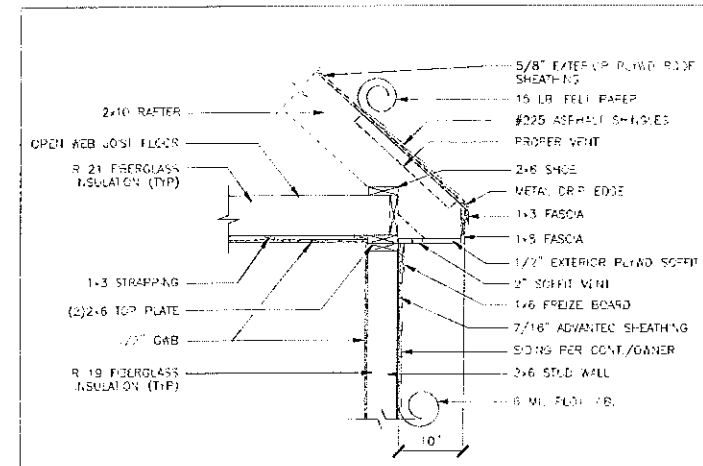
SHEET:
A2

GUZZARDI RESIDENCE

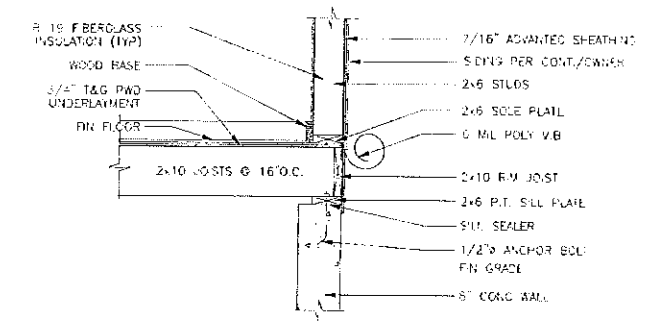
REVS:
CODE: 2003
TOWN: PORTLAND
DATE: 19 MAY 06
SCALE: AS NOTED
DRAWN: JO
TITLE: SECTIONS AND DETAILS
FILE: 06-0030
SHEET: A3



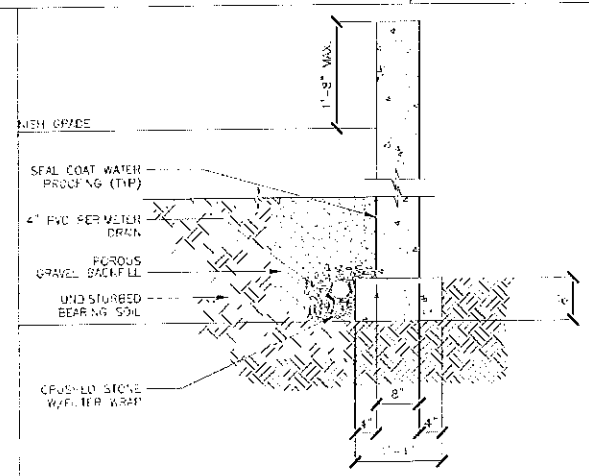
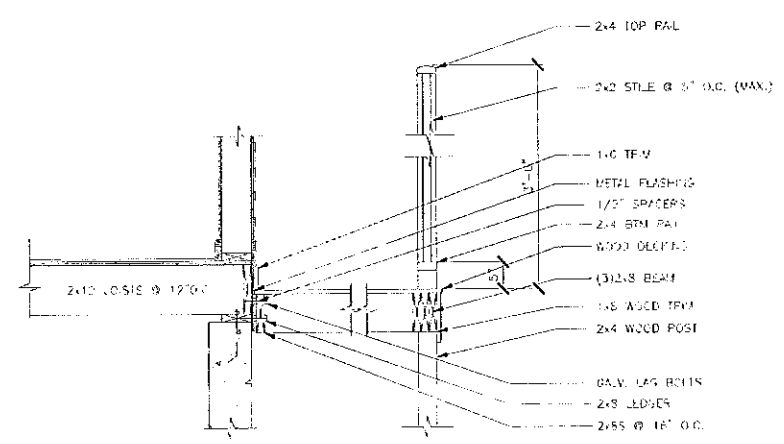
CROSS SECTION
 1/4" = 1'-0"



SOFFIT DETAIL
 SCALE: 3/4" = 1'-0"



WALL BASE DETAIL
 SCALE: 3/4" = 1'-0"



NOTE:
 THIS DRAWING IS PROVIDED FOR INFORMATIONAL PURPOSES ONLY.
 IT IS NOT TO BE USED FOR CONSTRUCTION. THE CONTRACTOR ASSUMES ALL RESPONSIBILITY FOR LOCAL CODE COMPLIANCE.
 ALL DETAILS AND SPECIFICATIONS ARE REFERENCED TO OUR CLIENTS BASED ON INFORMATION PROVIDED BY THE CLIENT AND SHALL BE IN ACCORDANCE WITH GOVERNMENT PERMITS AND LOCAL CODES. NONE OF THE EMPLOYEES OF FMCADD DRIVING SERVICES ARE RESPONSIBLE FOR THE DESIGN OR CONSTRUCTION OF ANY PROJECTS. ALL DESIGN AND SPECIFICATION SHOULD BE REVIEWED BY CLIENT AND/OR CONTRACTOR BEFORE ANY CONSTRUCTION BEGINS. FURTHERMORE, ALL SPECIFICATIONS ARE NOT TO BE USED BY CLIENT AND/OR CONTRACTOR BEFORE ANY CONSTRUCTION BEGINS. FURTHERMORE, ALL SPECIFICATIONS ARE NOT TO BE USED BY CLIENT AND/OR CONTRACTOR BEFORE ANY CONSTRUCTION BEGINS. FURTHERMORE, ALL SPECIFICATIONS ARE NOT TO BE USED BY CLIENT AND/OR CONTRACTOR BEFORE ANY CONSTRUCTION BEGINS.