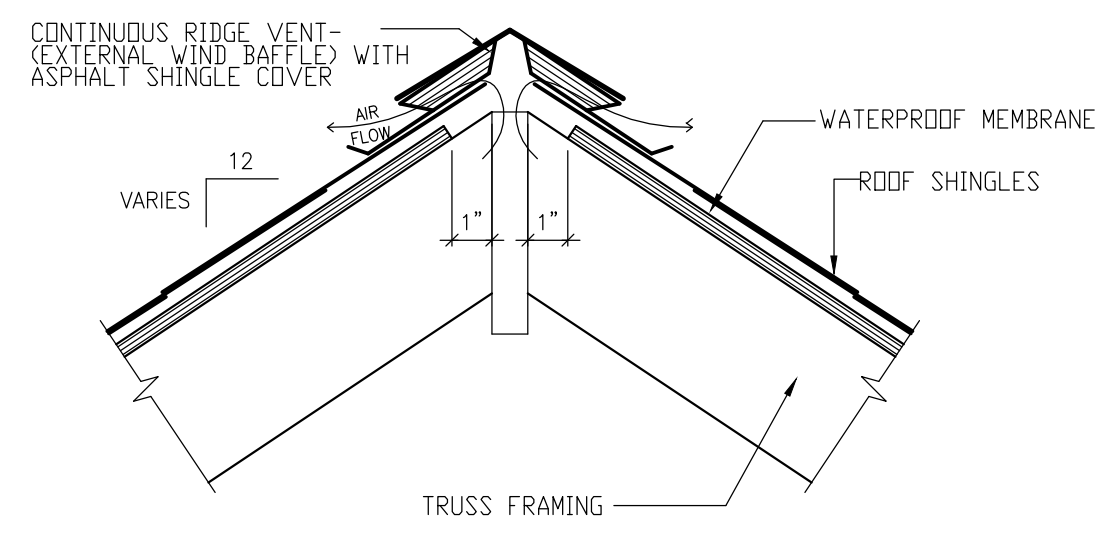
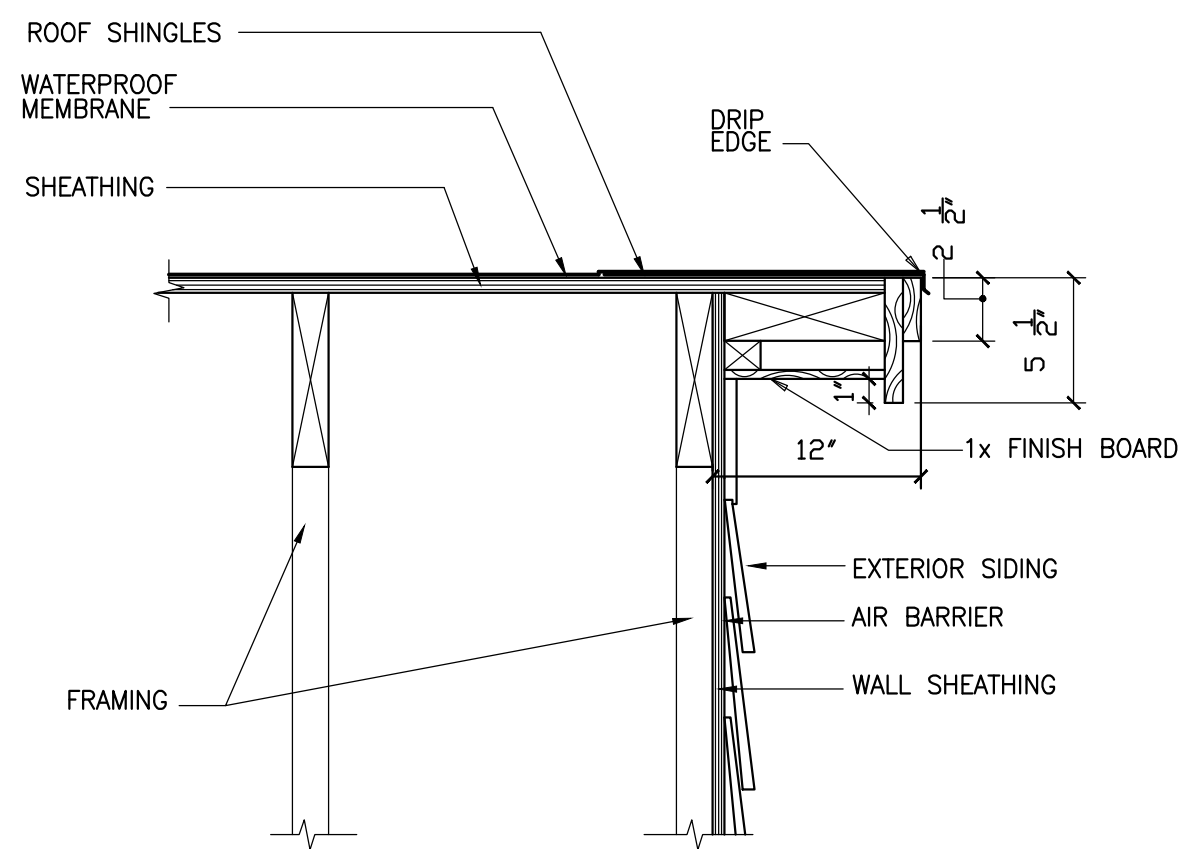


NOTE: ICE & WATER SHIELD ENTIRE ROOF



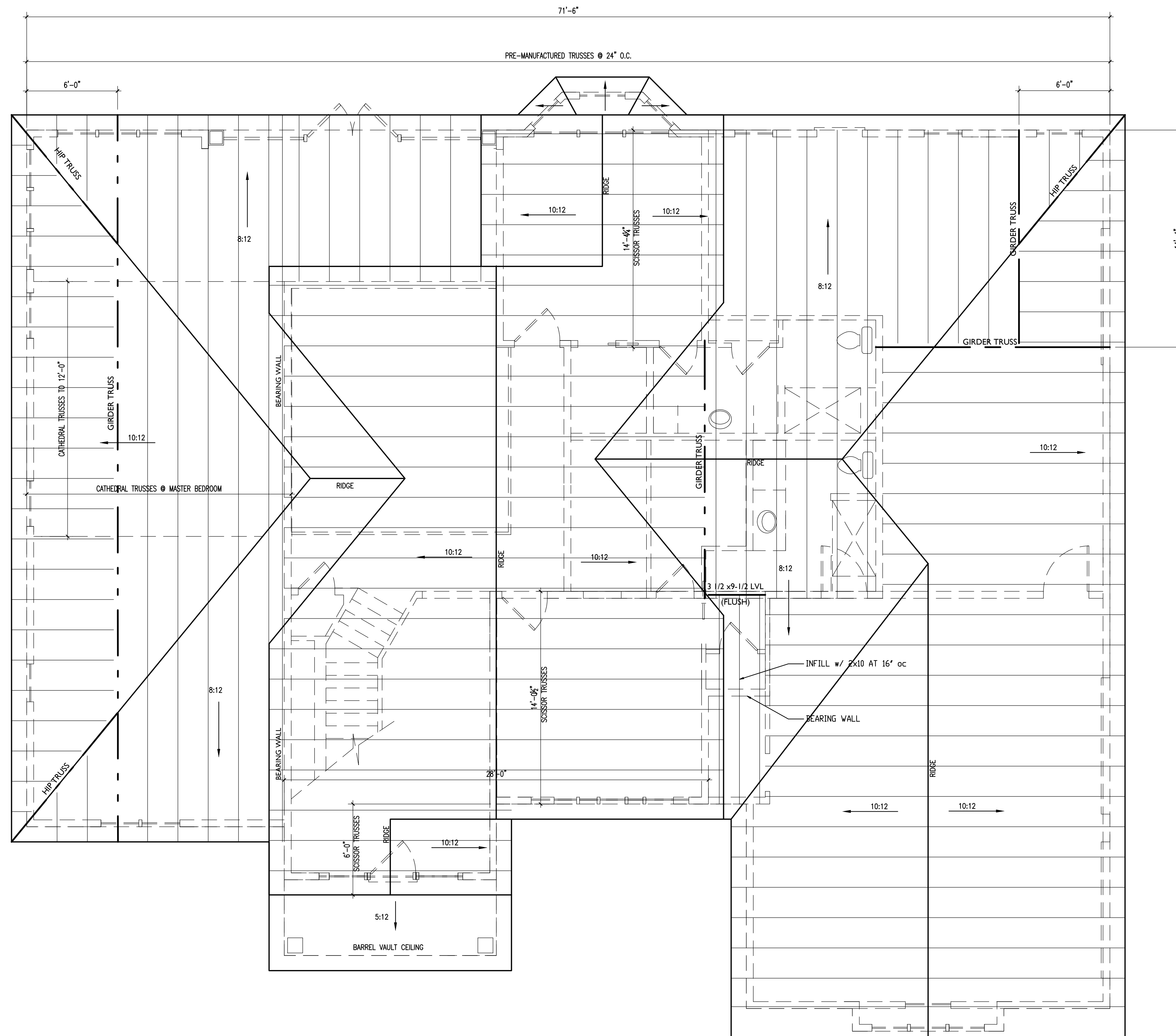
1 RIDGE VENT DETAIL

1 1/2"=1'-0"



2 RAKE DETAIL

1 1/2"=1'-0"



ROOF FRAMING PLAN

1/4"=1'-0"

MOORHEAD RESIDENCE
PORTLAND, MAINE

DRAWINGS THIS SHEET
ROOF FRAMING PLAN
DETAILS 06.15.17 UPDATED PLAN
03.12.17
REVISED PRICING SET

S3