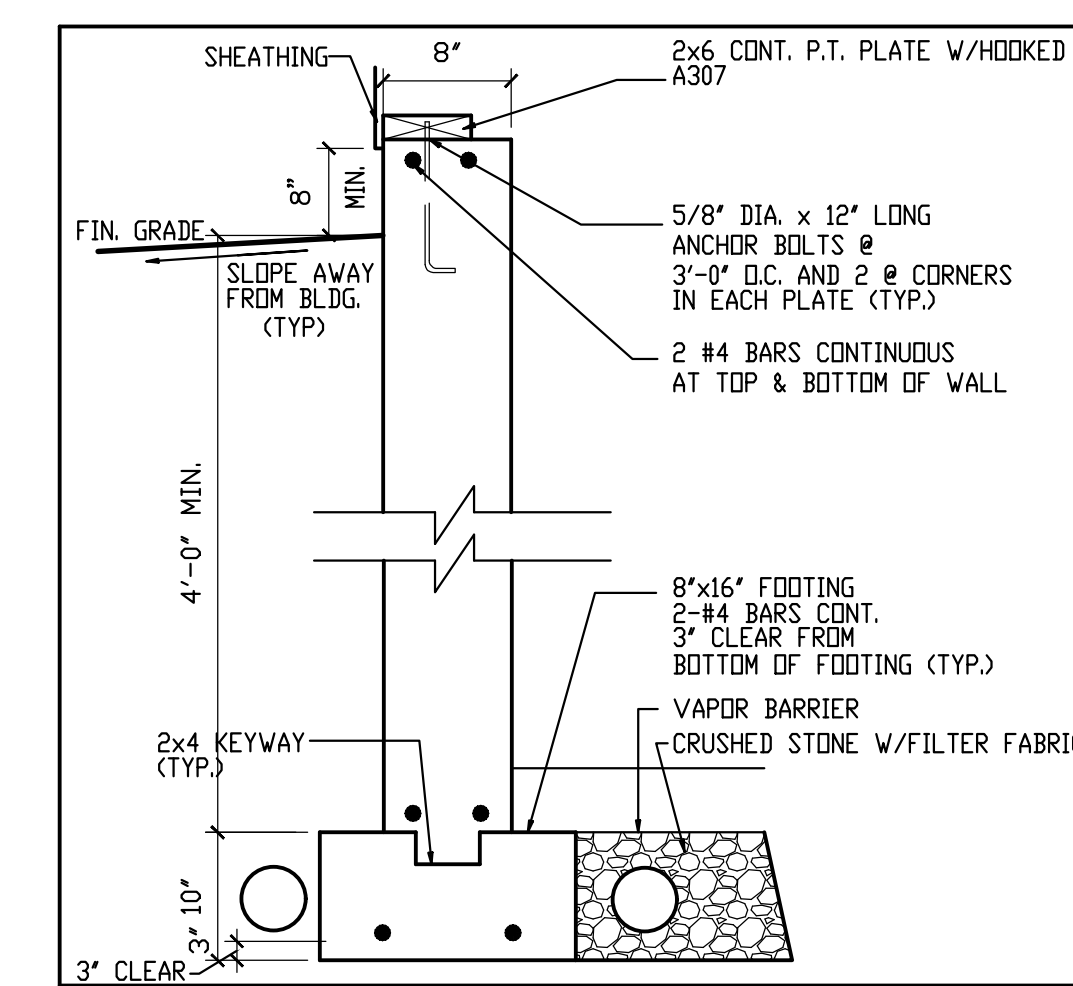


1 DECK / JOIST CONNECTION DETAIL
SCALE: 1"=1'-0"



2 TYPICAL FOUNDATION WALL
SCALE: 1"=1'-0"

FOUNDATION / FRAMING PLAN

1/4"=1'-0"

MOORHEAD RESIDENCE
PORTLAND, MAINE

DRAWINGS THIS SHEET
FOUNDATION PLAN
DETAILS 06.15.17 UPDATED PLAN
03.12.17
REVISED PRICING SET

S1