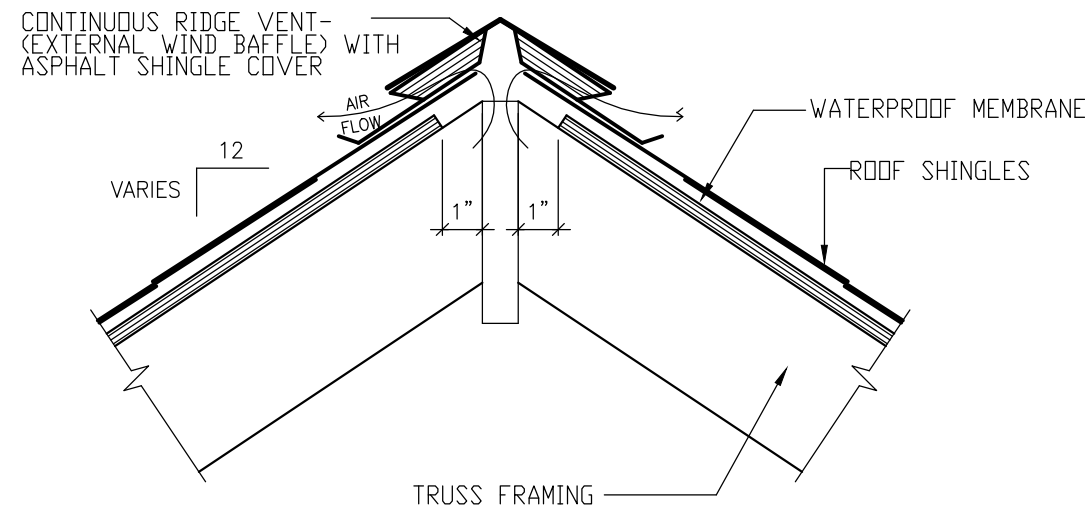
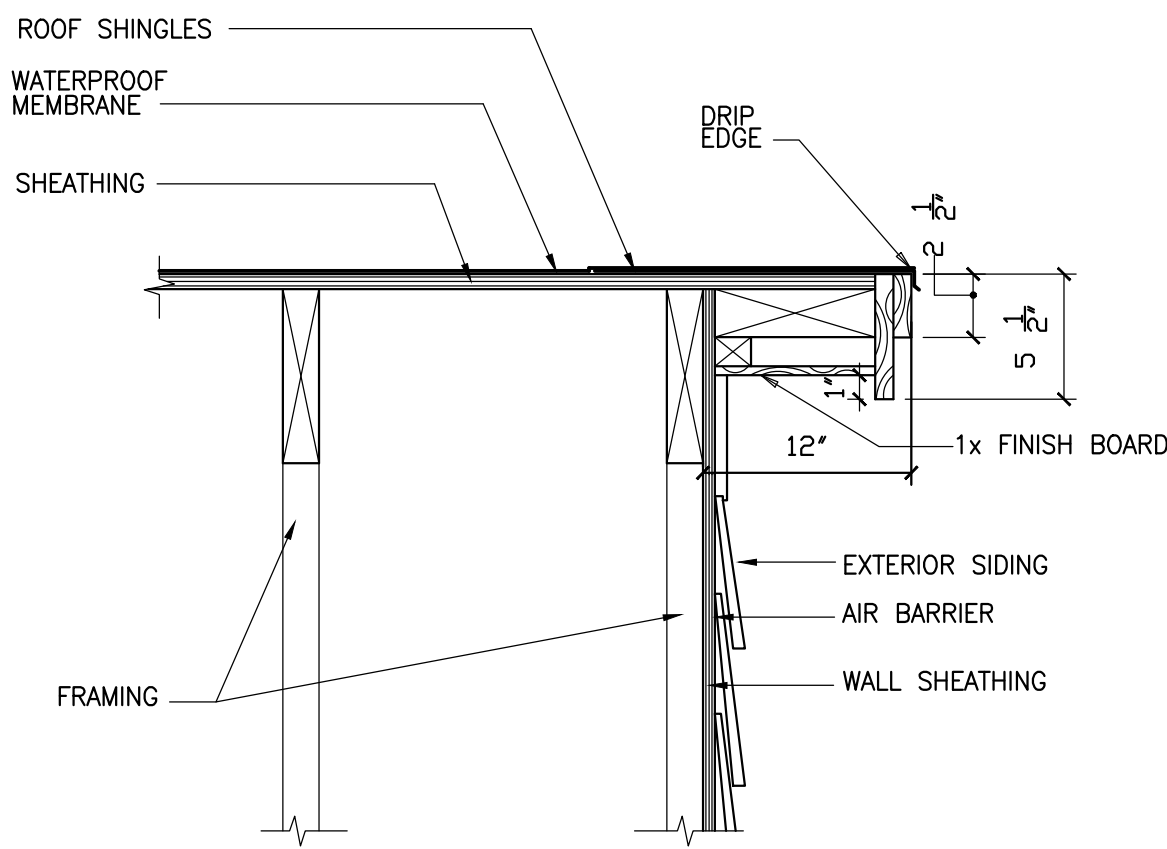


NOTE: ICE & WATER SHIELD ENTIRE ROOF



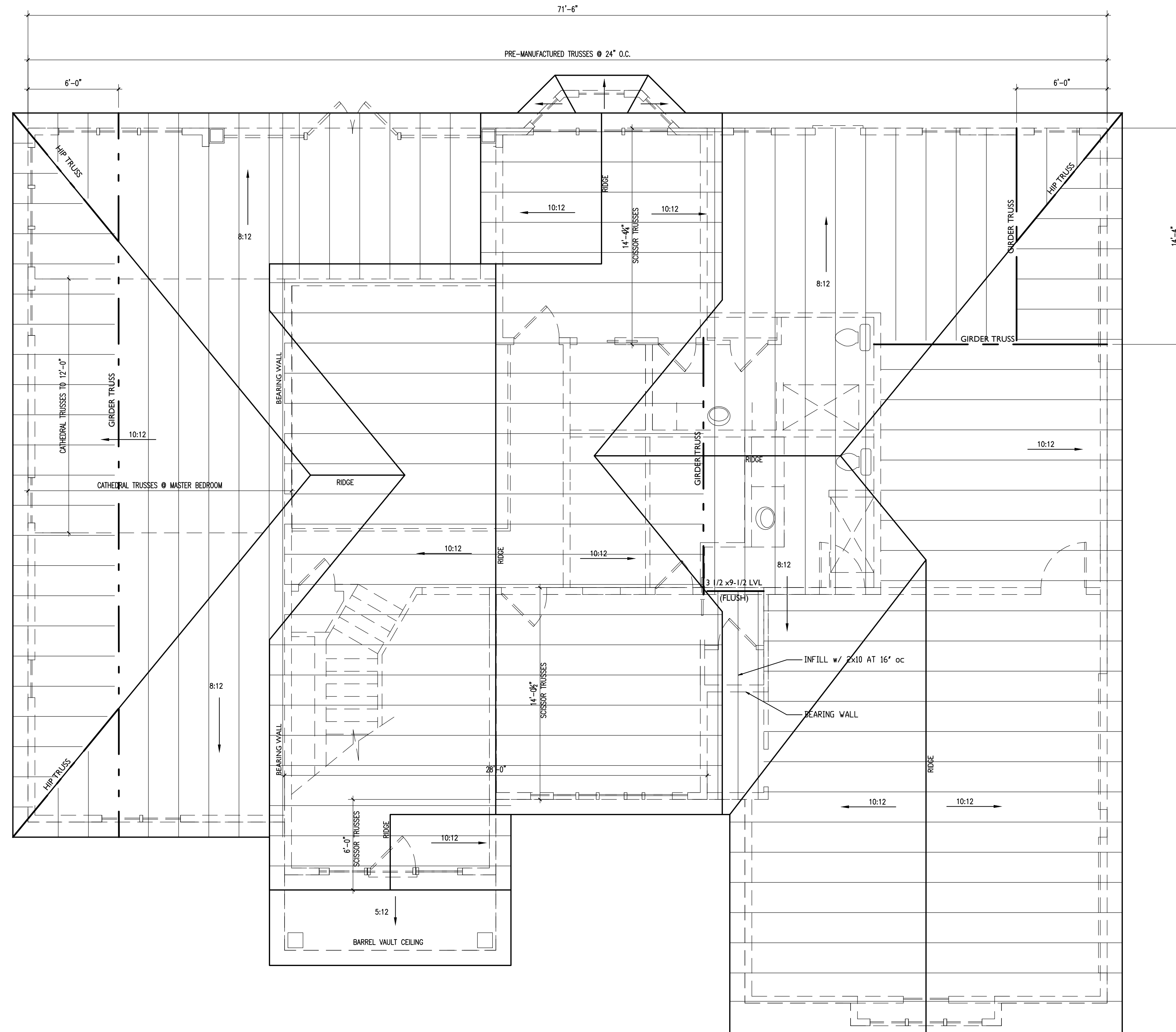
1 RIDGE VENT DETAIL

1 1/2"=1'-0"

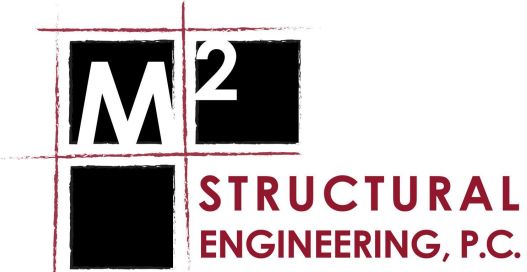


2 RAKE DETAIL

1 1/2"=1'-0"



ROOF FRAMING PLAN
1/4"=1'-0"



23 Thornbury Way
Windham, ME 04062
(207) 892-0983
www.m2se.com

MOORHEAD RESIDENCE
PORTLAND, MAINE

DRAWINGS THIS SHEET
ROOF FRAMING PLAN
DETAILS

03.12.17
REVISED PRICING SET

S3