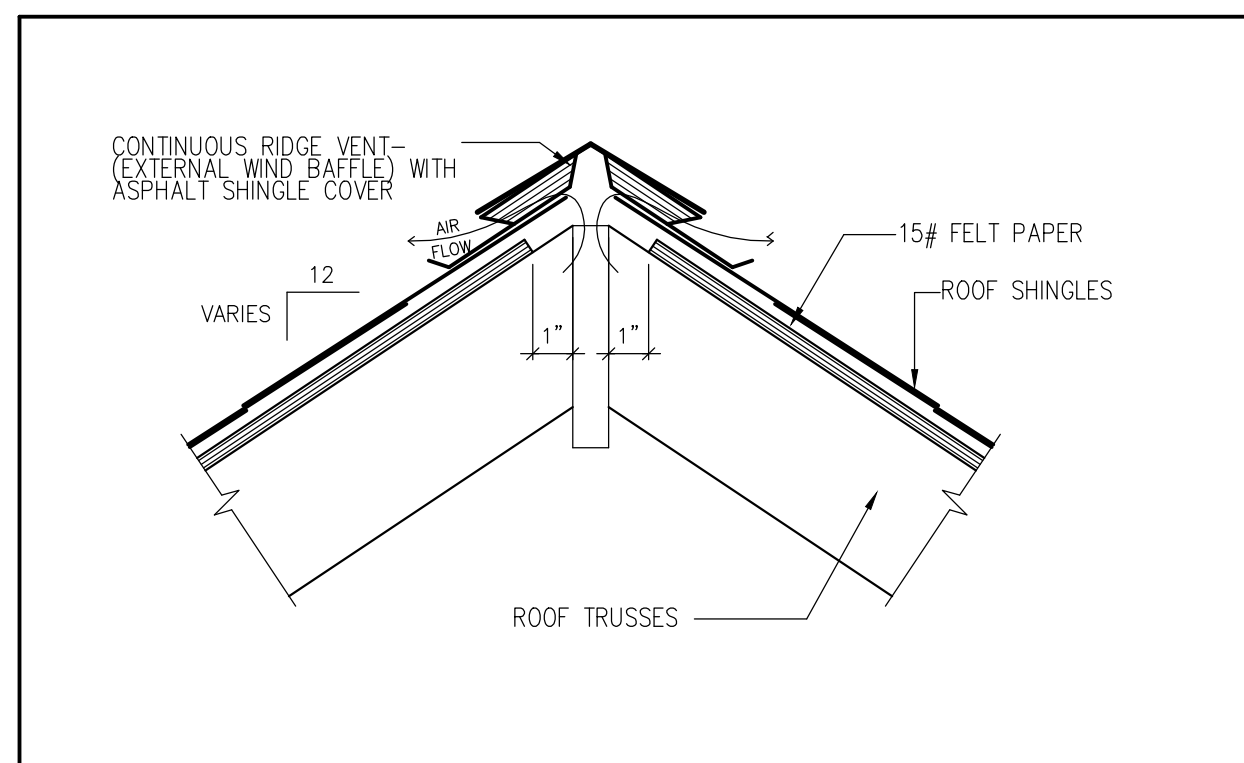
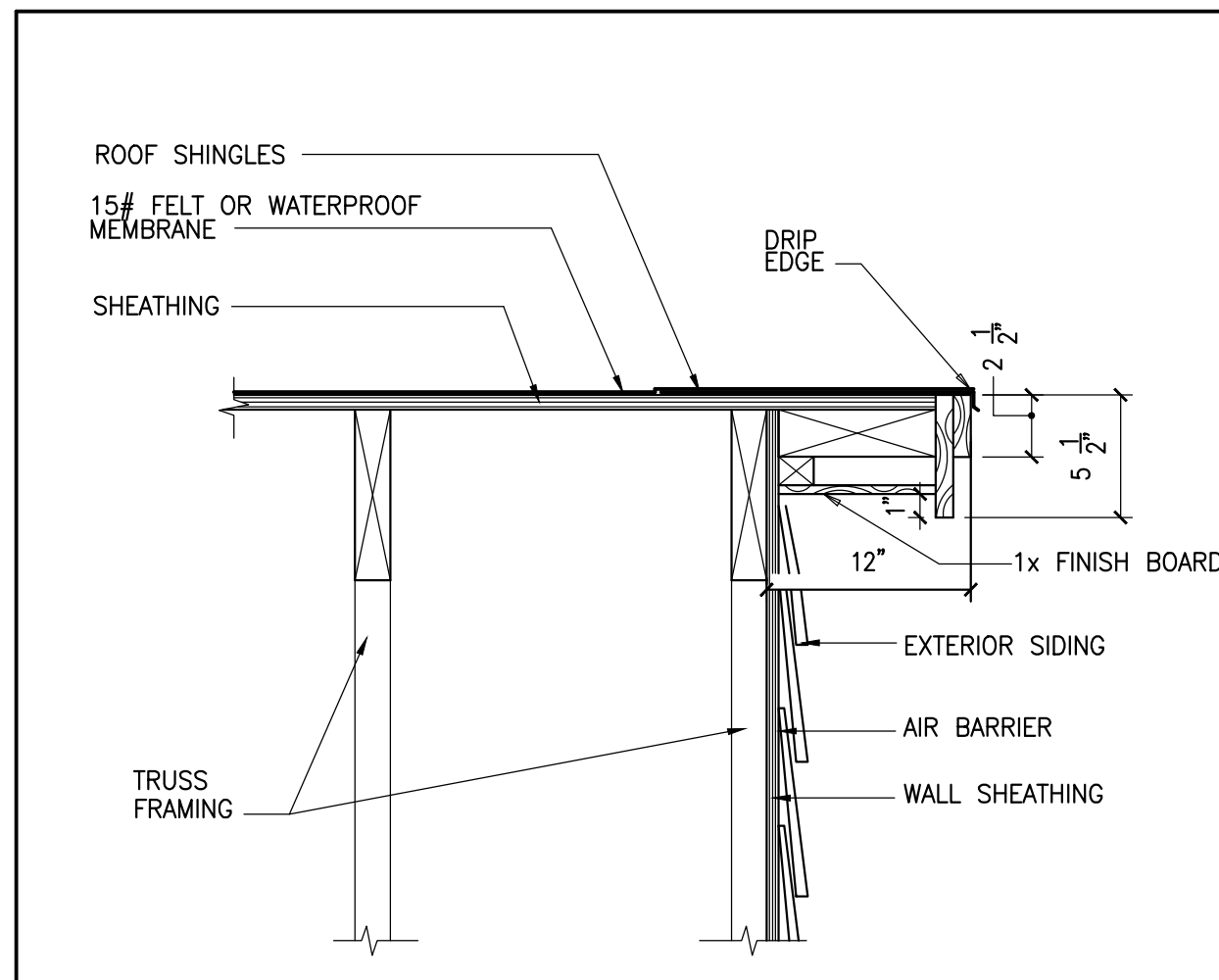


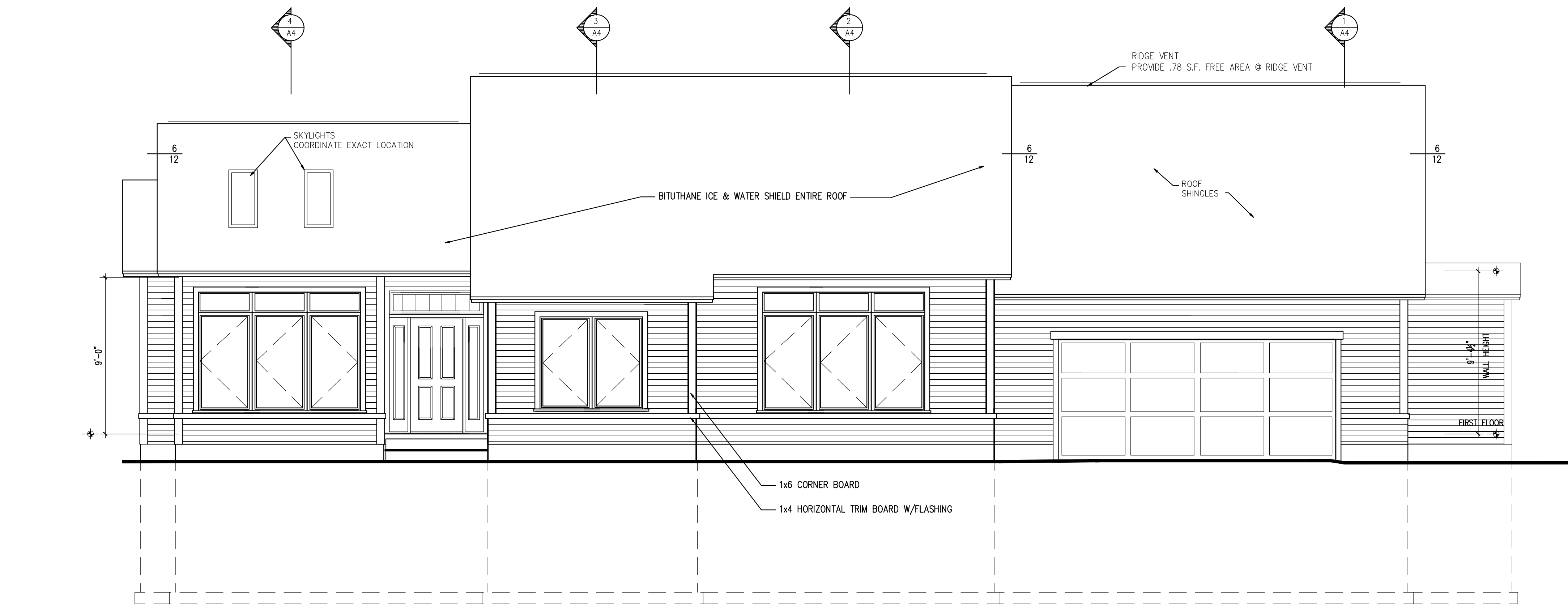
1 RIDGE VENT DETAIL SCALE: 1 1/2"=1'-0"



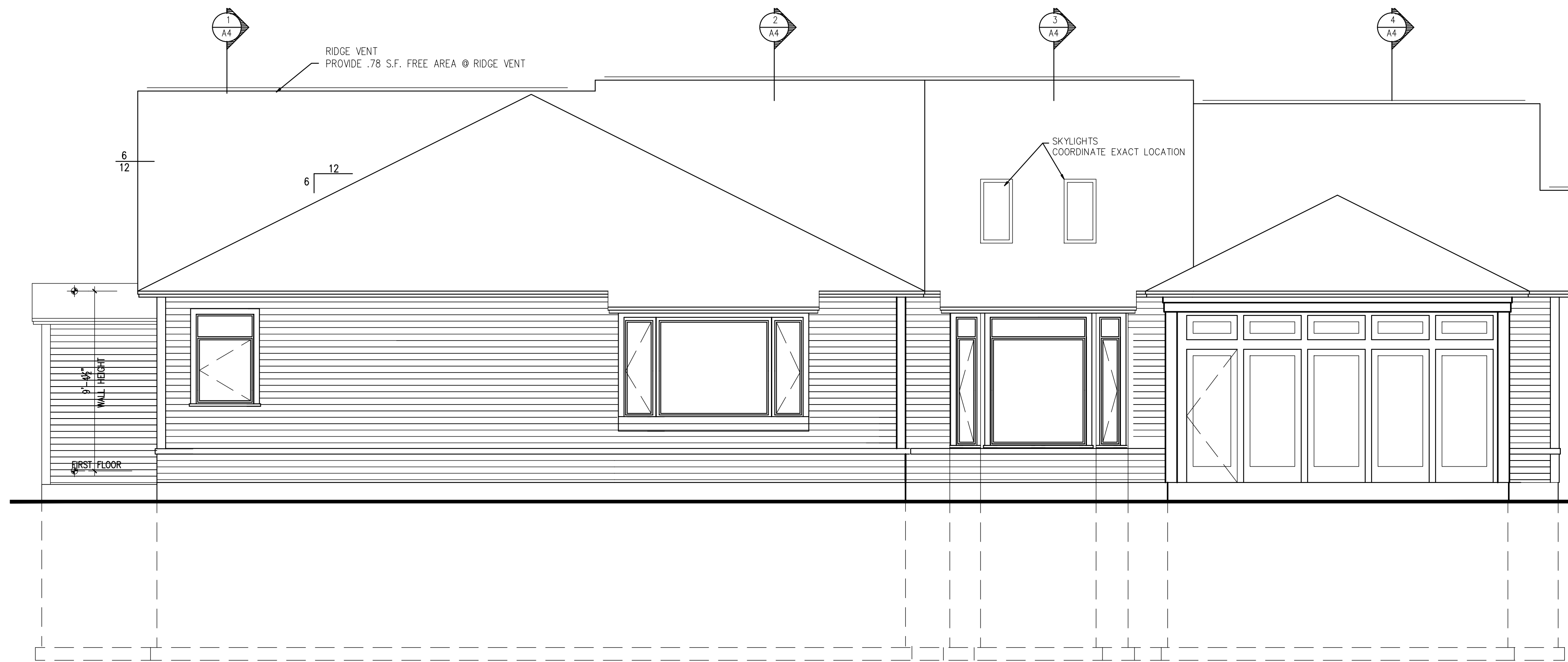
2 RIDGE VENT DETAIL SCALE: 1 1/2"=1'-0"



3 RAKE DETAIL SCALE: 1 1/2"=1'-0"



FRONT ELEVATION
1/4" = 1'-0"



REAR ELEVATION
1/4" = 1'-0"

ROBINOV RESIDENCE
PORTLAND, MAINE

DRAWINGS THIS SHEET
 ELEVATIONS
 DETAILS
 12/09/15
 A2