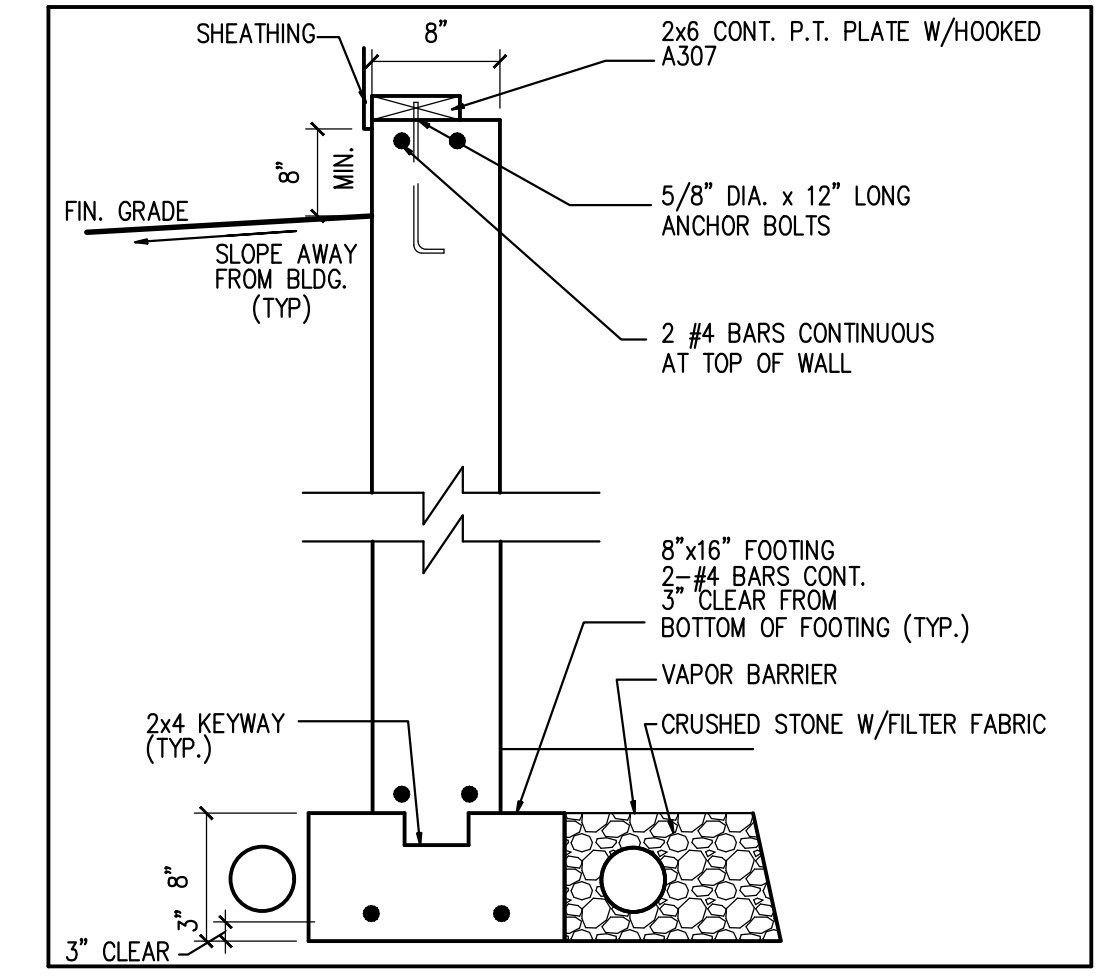
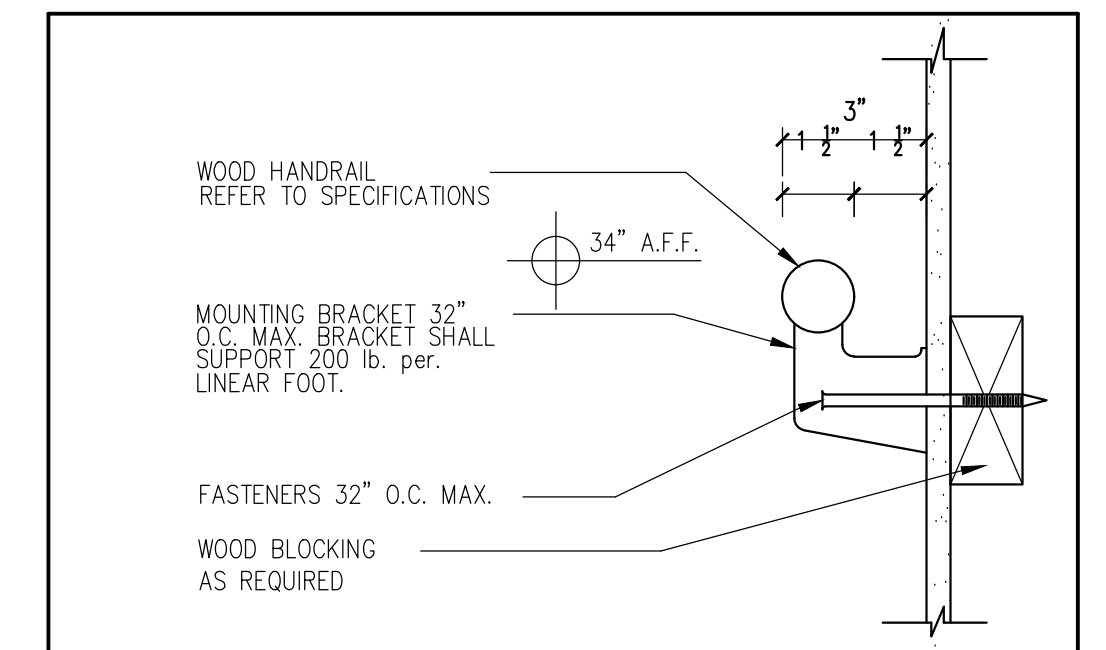


FOUNDATION / FRAMING PLAN

1/4" = 1'-0"



1 TYPICAL FOUNDATION WALL SCALE: 1"=1'-0"



HANDRAIL DETAIL NTS

ROBINOV RESIDENCE
PORTLAND, MAINE

DRAWINGS THIS SHEET
FOUNDATION/FRAMING PLAN
DETAILS

A0

12/09/15