

Hybrid Flex Submittal

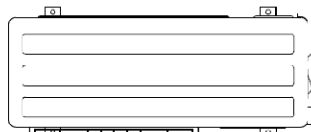
AOU24RLXFZ

Hybrid Flex Inverter System Heat Pump

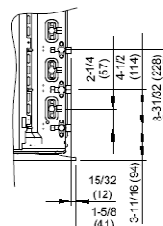
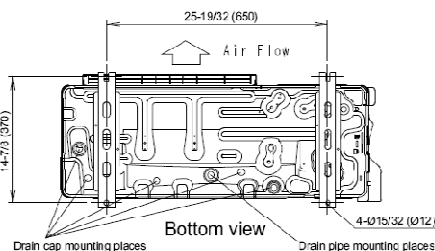
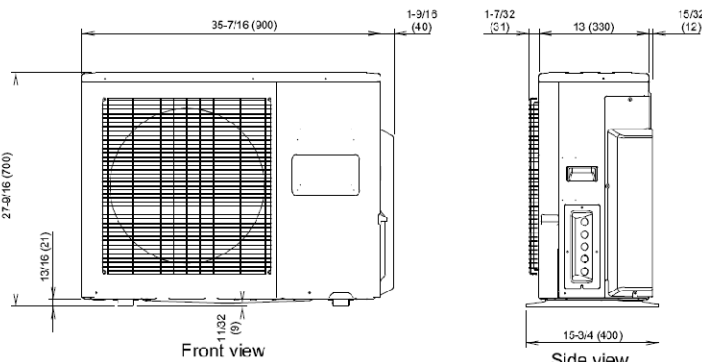
Job Name: _____
 Location: _____
 Engineer: _____
 Submitted to: _____
 Submitted by: _____
 Reference: _____

Approval: _____
 Date: _____
 Construction: _____
 Unit #: _____
 Drawing #: _____

General Data (at 230V)	
Power	208-230VAC-1ph-60Hz
Fuse Size, Max.	25A
Minimum Circuit Ampacity(MCA)	17A
Compressor	Inverter driven variable speed DC Twin Rotary
No. used	1
Output	1,100W
Lubrican Oil	POE
Fan type	Propeller
Motor Output	100W
CFM Cooling/Heating (High)	1,942 / 1,942
Refrigerant	410A
Outdoor unit charge	4lbs 14oz.(2,200g)
Control	Electronic Expansion Valve
O.D. Discharge (in)	1/4"x3(Flare)
O.D Suction (in)	3/8"x2 + 1/2"x1(Flare)
Dimensions	H x W x D
Uncrated (in)	27-9/16 x 35-7/16 x 13
(mm)	(700 x 900 x 330)
Crated (in)	32-7/8 x 41-11/32 x 17-17/32
(mm)	(835 x 1,050 x 445)
Weight	Outdoor
Net	124lbs(56kg)
Gross Shipping	139lbs (63kg)
Cooling Capacity	22,000(6,100~27,000)BTU/h
Rated Power Input	1.9kW
Max. Power Input	2.72kW
Outdoor Sound Rating	51dB
Heating Capacity	22,000 (6,800-24,400)BTU/h
Rated Power Input	1.84kW
Max. Power Input	2.09kW
Outdoor Sound Rating	49dB
Piping Lengths	
Pre-charge length	98ft
Max. Piping Length (Total)	164ft
Max. length (each)	82ft
Min. length (total)	49ft
Min. length (each)	16ft
Max. Pipe Height Difference	
Between condenser and each indoor unit	49ft
Between indoor units	33ft
Connection method	(Flared)
Operating Range	
Cooling	14°F~115°F DB
Heating	5°F~75°F DB



Top view



	Non-Ducted	Ducted & Non-Ducted	Ducted
SEER	18	16.75	15.50
HSPF	9.50	9.25	9.0
EER	12.50	11.55	10.60

Fujitsu General America, Inc.
 Fairfield, NJ 07004
 Toll Free: 1-888-888-3424
 Fax: (973) 836-0447
 www.fujitsugeneral.com

Fujitsu products are subject to continuous improvements. Fujitsu reserves the right to modify product design, specifications and information in this data sheet without notice and without incurring any obligations.

Note: Specifications are based on the following conditions.

Power source of specifications : 230V

Cooling: Indoor temperature of 80°F(26.67°C)DB / 67°F(19.44°C)WB, and outdoor temperature of 95°F(35°C)DB/75°F(23.89°C)WB.

Heating: Indoor temperature of 70°F(21.11°C)DB / 60°F(15.56°C)WB, and outdoor temperature of 47°F(8.33°C)DB/43°F(6.11°C)WB.

Pipe length : 24ft. 7in.(7.5m),Height difference : 0 ft.(0m) [Outdoor unit - Indoor unit]

