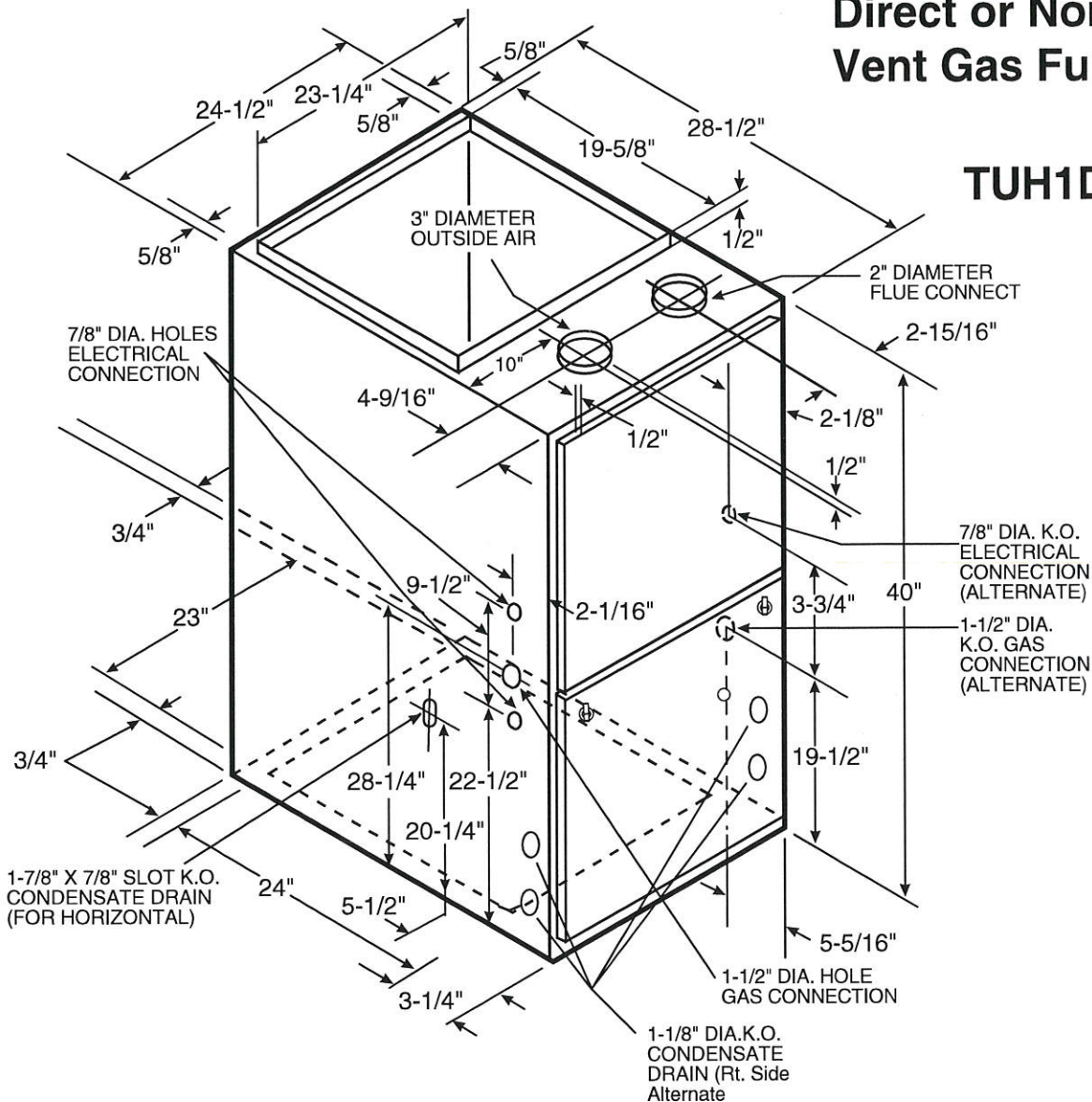


TAG: F-2 and F-3

# SUBMITTAL

## Upflow/ Horizontal Direct or Non-Direct Vent Gas Furnace

**TUH1D100A9601A**

**FURNACE AIRFLOW (CFM) VS. EXTERNAL STATIC PRESSURE (in. w.c.)**

MODEL	SPEED TAP	0.10	0.20	0.30	0.40	0.50	0.60	0.70	0.80	0.90
*UH1D100A9601A	4 - HIGH - Black	2339	2287	2235	2168	2100	2021	1941	1858	1773
	3 - MED.-HIGH - Blue	2045	2021	1996	1947	1897	1836	1774	1701	1629
	2 - MED.-LOW - Yellow	1719	1703	1693	1671	1649	1607	1565	1498	1431
	1 - LOW - Red	1436	1430	1430	1414	1398	1372	1344	1287	1230

\*= First letter may be "A" or "T"

**CFM VS. TEMPERATURE RISE**

MODEL	Cubic Feet Per Minute (CFM)													
	1100	1200	1300	1400	1500	1600	1700	1800	1900	2000	2100	2200	2300	2400
*UH1D100A9601A			68	63	59	55	52	49	46	44	42	40	38	37

\*= First letter may be "A" or "T"

# General Data ①

<b>TYPE</b>	Upflow / Horizontal
<b>RATINGS ②</b>	
Input BTUH	97,000
Capacity BTUH (ICS) ③	92,150
AFUE	95.0
Temp. rise (Min.-Max.) °F.	35 - 65
<b>BLOWER DRIVE</b>	DIRECT
Diameter-Width (In.)	11 x 10
No. Used	1
Speeds (No.)	4
CFM vs. in. w.g.	See Fan Performance
Motor HP	3/4
R.P.M.	1100
Volts/Ph/Hz	115/1/60
<b>COMBUSTION FAN - Type</b>	Centrifugal
Drive - No. Speeds	Direct - 1
Motor HP - RPM	1/20 - 3450
Volts/Ph/Hz	115/1/60
F.L. Amps	0.71
<b>FILTER — Furnished?</b>	No
Type Recommended	High Velocity
Hi Vel. (No.-Size-Thk.)	1 - 24x25 - 1in.

<b>VENT PIPE DIAMETER — Min. (in.)</b> ⑤⑥	3 Round
<b>HEAT EXCHANGER</b>	
Type-Fired	Alum. Steel
-Unfired	
Gauge (Fired)	20
<b>ORIFICES — Main</b>	
Nat.Gas. Qty. — Drill Size	5 — 45
L.P. Gas Qty. — Drill Size	5 — 56
<b>GAS VALVE</b>	Redundant - Single Stage
<b>PILOT SAFETY DEVICE</b>	
Type	Hot Surface Ignition
<b>BURNERS — Type</b>	Multiport Inshot
Number	5
<b>POWER CONN. — V/Ph/Hz ④</b>	115/1/60
Ampacity (In Amps)	12.9
Max. Overcurrent Protection (amps)	20
<b>PIPE CONN. SIZE (IN.)</b>	1/2
<b>DIMENSIONS</b>	H x W x D
Crated (In.)	41- 3/4 x 26-1/2 x 30-1/2
Uncrated (In.)	40 x 24-1/2 x 28
<b>WEIGHT</b>	
Shipping (Lbs.) / Net (Lbs)	197/ 185

**Notes**

- ① Central Furnace heating designs are certified by AGA and CSA.
- ② For U.S. applications, above input ratings (BTUH) are up to 2,000 feet, derate 4% per 1,000 feet for elevations above 2,000 feet above sea level. For Canadian applications, above input ratings (BTUH) are up to 4,500 feet, derate 4% per 1,000 feet for elevations above 4,500 feet above sea level.
- ③ Based on U.S. government standard tests.
- ④ The above wiring specifications are in accordance with National Electrical Code; however, installations must comply with local codes.
- ⑤ Refer to the Vent Length Table in the Installer's Guide or the Allowable Vent Length label located on the furnace.
- ⑥ All \*UH1 furnace models have a vent outlet diameter that equals 2".

## Mechanical Specifications

**NATURAL GAS MODELS** — Central heating furnace designs are certified by the American Gas Association for both natural and L.P. gas. Limit setting and rating data were established and approved under standard rating conditions using American National Standards Institute standards.

**SAFE OPERATION** — The Integrated System Control has solid state devices, which continuously monitor for presence of flame, when the system is in the heating mode of operation. Slow opening, dual solenoid combination gas valve and regulator provide extra safety and quieter operation.

**QUICK HEATING** — Durable, cycle tested, heavy gauge **aluminized steel heat exchanger and stainless steel secondary heat exchanger** quickly transfer over 90% of the heat to provide warm conditioned air to the structure. **Low energy power vent blower**, to increase efficiency and provide a positive discharge of gas fumes to the outside as it draws outdoor air in for sealed combustion, which means it uses no indoor air for combustion.

Since Trane has a policy of continuous product and product data improvement, it reserves the right to change specifications and design without notice.

**BURNERS** — Multi-port, in-shot burners will give years of quiet and efficient service. All models can be converted to **L.P. gas** without changing burners.

**INTEGRATED SYSTEM CONTROL** — Exclusively designed operational program provides total control of furnace limit sensors, blowers, gas valve, flame control and includes self diagnostics for ease of service. The built-in, selectable "**Cooling Fan Off**" feature provides time-delay capability like a BAY24X045 Time-Delay Kit for cooling operation. Also contains connection points for E.A.C./ Humidifier.

**AIR DELIVERY** — The multispeed, direct-drive blower motor, with sufficient airflow range for most heating and cooling requirements, will switch from heating to cooling speeds on demand from room thermostat. The blower door safety switch will prevent or terminate furnace operation when the blower door is removed. (Fan relay and 35VA control transformer is standard).

**STYLING** — **Heavy gauge steel and "wrap-around" cabinet construction** is used in the cabinet with baked-on enamel finish for strength and beauty. The heat exchanger section of the cabinet is completely lined with foil-faced fiberglass insulation. This results in quiet and efficient operation due to the excellent acoustical and insulating qualities of fiberglass.

**FEATURES AND GENERAL OPERATION** — These High Efficiency, Direct Vent, Condensing Gas Furnaces employ a Hot Surface Ignition system, which eliminates the waste of a constantly burning pilot. They are convertible for HORIZONTAL use by rotating the unit to its left side. The integrated system control lights the main burners upon a demand for heat from the room thermostat. Complete front service access.

- a. Low energy power venter.
- b. Vent proving differential switch.

Technical Literature - Printed in U.S.A.

Trane  
6200 Troup Highway  
Tyler, TX 75707



Library	Unitary
Product Section	Furnaces
Product	Furnace
Model	TUH1
Literature Type	Submittal
Sequence	-
Date	06/09
File No.	TUH1D100A-SUB-1A
Supersedes	TUH1D100A-SUB-1

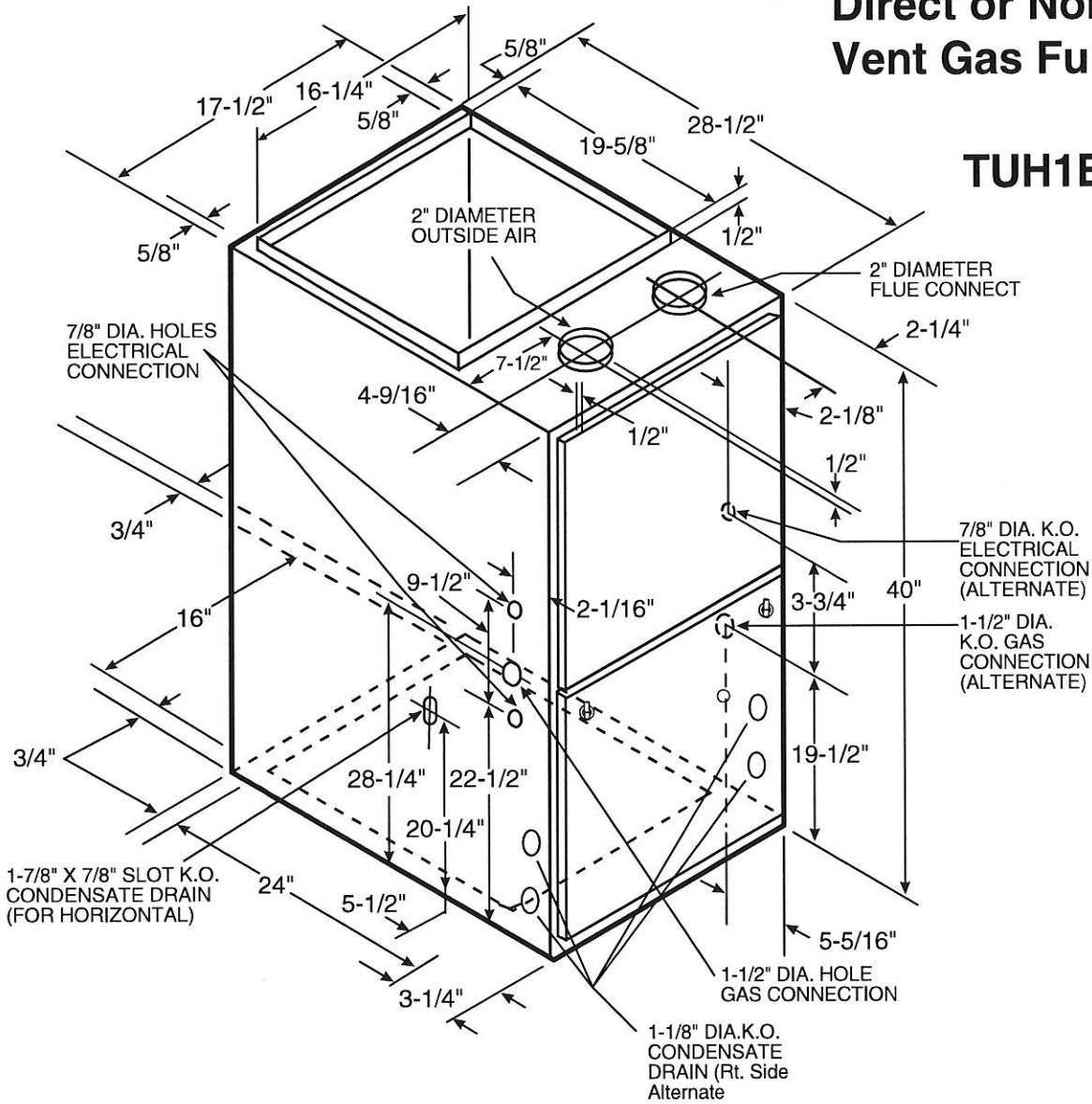


TAG:       F-1      

**SUBMITTAL**

**Upflow / Horizontal  
Direct or Non-Direct  
Vent Gas Furnace**

**TUH1B060A9361A**



FURNACE AIRFLOW (CFM) VS. EXTERNAL STATIC PRESSURE (in. w.c.)										
MODEL	SPEED TAP	0.10	0.20	0.30	0.40	0.50	0.60	0.70	0.80	0.90
*UH1B060A9361A	4 - HIGH - Black	1359	1313	1264	1204	1144	1079	1004	919	812
	3 - MED.-HIGH - Blue	1232	1199	1161	1116	1065	1004	934	852	744
	2 - MED.-LOW - Yellow	1077	1054	1027	994	953	904	845	768	666
	1 - LOW - Red	926	913	895	871	836	792	733	670	570

\*= First letter may be "A" or "T"

CFM VS. TEMPERATURE RISE										
MODEL	Cubic Feet Per Minute (CFM)									
	700	800	900	1000	1100	1200	1300	1400	1500	1600
*UH1B060A9361A			59	53	48	44	41	38		

\*= First letter may be "A" or "T"



# General Data ①

<b>TYPE</b>	Upflow / Horizontal	<b>VENT PIPE DIAMETER — Min. (in.)</b> ⑤⑥	2 Round
<b>RATINGS</b> ②		<b>HEAT EXCHANGER</b>	
Input BTUH	60,000	Type-Fired	Alum. Steel
Capacity BTUH (ICS) ③	57,000	-Unfired	
AFUE	95.0	Gauge (Fired)	20
Temp. rise (Min.-Max.) °F.	30 - 60	<b>ORIFICES — Main</b>	
<b>BLOWER DRIVE</b>	DIRECT	Nat.Gas. Qty. — Drill Size	3 — 45
Diameter-Width (In.)	10 x 7	L.P. Gas Qty. — Drill Size	3 — 56
No. Used	1	<b>GAS VALVE</b>	Redundant - Single Stage
Speeds (No.)	4	<b>PILOT SAFETY DEVICE</b>	
CFM vs. in. w.g.	See Fan Performance	Type	Hot Surface Ignition
Motor HP	1/3	<b>BURNERS — Type</b>	Multiport Inshot
R.P.M.	1075	Number	3
Volts/Ph/Hz	115/1/60	<b>POWER CONN. — V/Ph/Hz</b> ④	115/1/60
<b>COMBUSTION FAN - Type</b>	Centrifugal	Ampacity (In Amps)	9.2
Drive - No. Speeds	Direct - 1	Max. Overcurrent Protection (amps)	15
Motor HP - RPM	1/55- 3450	<b>PIPE CONN. SIZE (IN.)</b>	1/2
Volts/Ph/Hz	115/1/60	<b>DIMENSIONS</b>	H x W x D
F.L. Amps	1.75	Crated (In.)	41- 3/4 x 19-1/2 x 30-1/2
<b>FILTER — Furnished?</b>	No	Uncrated (In.)	40 x 17-1/2 x 28
Type Recommended	High Velocity	<b>WEIGHT</b>	
Hi Vel. (No.-Size-Thk.)	1 - 17x25 - 1in.	Shipping (Lbs.) / Net (Lbs)	150 / 140

## Notes

- ① Central Furnace heating designs are certified by AGA and CSA.
- ② For U.S. applications, above input ratings (BTUH) are up to 2,000 feet, derate 4% per 1,000 feet for elevations above 2,000 feet above sea level. For Canadian applications, above input ratings (BTUH) are up to 4,500 feet, derate 4% per 1,000 feet for elevations above 4,500 feet above sea level.
- ③ Based on U.S. government standard tests.
- ④ The above wiring specifications are in accordance with National Electrical Code; however, installations must comply with local codes.
- ⑤ Refer to the Vent Length Table in the Installer's Guide or the Allowable Vent Length label located on the furnace.
- ⑥ All \*UH1 furnace models have a vent outlet diameter that equals 2".

## Mechanical Specifications

**NATURAL GAS MODELS**—Central heating furnace designs are certified by the American Gas Association for both natural and L.P. gas. Limit setting and rating data were established and approved under standard rating conditions using American National Standards Institute standards.

**SAFE OPERATION** — The Integrated System Control has solid state devices, which continuously monitor for presence of flame, when the system is in the heating mode of operation. Slow opening, dual solenoid combination gas valve and regulator provide extra safety and quieter operation.

**QUICK HEATING**—Durable, cycle tested, heavy gauge **aluminized steel heat exchanger and stainless steel secondary heat exchanger** quickly transfer over 90% of the heat to provide warm conditioned air to the structure. **Low energy power vent blower**, to increase efficiency and provide a positive discharge of gas fumes to the outside as it draws outdoor air in for sealed combustion, which means it uses no indoor air for combustion.

Since Trane has a policy of continuous product and product data improvement, it reserves the right to change specifications and design without notice.

Technical Literature - Printed in U.S.A.

Trane  
6200 Troup Highway  
Tyler, TX 75707

**BURNERS** — Multi-port, in-shot burners will give years of quiet and efficient service. All models can be converted to **L.P. gas** without changing burners.

**INTEGRATED SYSTEM CONTROL**— Exclusively designed operational program provides total control of furnace limit sensors, blowers, gas valve, flame control and includes self diagnostics for ease of service. The built-in, selectable "**Cooling Fan Off**" feature provides time-delay capability like a BAY24X045 Time-Delay Kit for cooling operation. Also contains connection points for E.A.C./humidifier.

**AIR DELIVERY** — The multispeed, direct-drive blower motor, with sufficient airflow range for most heating and cooling requirements, will switch from heating to cooling speeds on demand from room thermostat. The blower door safety switch will prevent or terminate furnace operation when the blower door is removed. (Fan relay and 35VA control transformer is standard).

**STYLING** — Heavy gauge steel and "**wraparound**" cabinet construction is used in the cabinet with baked-on enamel finish for strength and beauty. The heat exchanger section of the cabinet is completely lined with foil-faced fiberglass insulation. This results in quiet and efficient operation due to the excellent acoustical and insulating qualities of fiberglass.

**FEATURES AND GENERAL OPERATION** — These High Efficiency, Direct Vent, Condensing Gas Furnaces employ a Hot Surface Ignition system, which eliminates the waste of a constantly burning pilot. They are convertible for HORIZONTAL use by rotating the unit to its left side. The integrated system control lights the main burners upon a demand for heat from the room thermostat. Complete front service access.

- a. Low energy power venter.
- b. Vent proving differential switch.

Library	Unitary
Product Section	Furnaces
Product	Furnace
Model	TUH1
Literature Type	Submittal
Sequence	-
Date	06/09
File No.	TUH1B060A-SUB-1A
Supersedes	TUH1B060A-SUB-1

