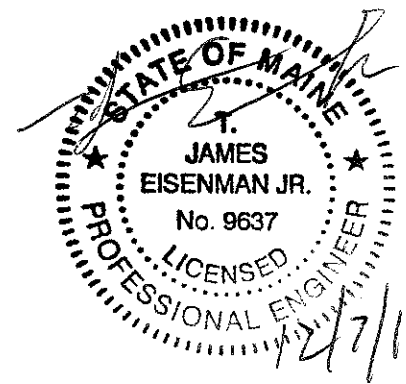


# PHOENIX PROPERTY MANAGEMENT SEACOAST CRANE & BUILDING CO.,

FO# 16838

Building 1 of 1



114 ROSEMONT LANE, IMLER, PA 16655 (814) 276-9611

## INDEX OF DRAWINGS

Page	Drawing Title	REV NO.
	Cover Page	1
1	Specifications	1
2	Anchor Bolt Plan	1
3	Rigid Frame Reactions	1
4	EndWall Reactions, Design Criteria	1
5	Anchor Bolt Details	1
6	Roof Framing	1
7	Roof Panel Layout	1
8	Rigid Frame #1	1
9	Rigid Frame #2	1
10	Front Sidewall Framing	1

Page	Drawing Title	REV NO.
11	Back Sidewall Framing	1
12	Left Endwall Framing	1
13	Right Endwall Framing	1
14	Detail Page #1	1
15	Detail Page #2	1
16	Detail Page #3	1
17	Detail Page #4	1
18		0
19		0
20		0
21		0

Page	Drawing Title	REV NO.
22		0
23		0
24		0
25		0
26		0
27		0
28		0
29		0
30		0
31		0
32		0

GENERAL

All materials included in the Metal Building System are in accordance with the manufacturer's standard materials and details unless otherwise specified on the order documents. (MBMA 2002 Metal Building Systems Manual, Part IV, Section 2.1)

DESIGN RESPONSIBILITY

The manufacturer is responsible only for the structural design of the Metal Building System it sells to the purchaser / customer. Neither the manufacturer nor the manufacturer's engineer is the design professional or engineer of record for the construction project. The manufacturer is not responsible for the design of any component or materials not sold by it, or their interface and connection with Metal Building System unless such design responsibility is specifically required by the order documents. (MBMA 2002 Metal Building Systems Manual, Part IV, Section 3.1)

FOUNDATION DESIGN AND ANCHOR BOLTS

The manufacturer is not responsible for the design, materials, and workmanship of the foundation. The anchor bolt plans prepared by the manufacturer are intended to show only the anchor bolt location, diameter (based on ASTM A36 bolts), and quantity required to connect the Metal Building System to the foundation. (MBMA 2002 Metal Building Systems Manual, Part IV, Section 3.2.2).

It is the responsibility of the end customer to ensure that adequate provisions are made for specifying bolt embedment, bearing angles, tie rods, and / or associated items embedded in the concrete foundation, as well as foundation design based on the loads imposed by the Metal Building System, or other imposed loads, and the bearing capacity of the soil and other conditions of the building site. (MBMA 2002 Metal Building Systems Manual, Part IV, Section 3.2.2)

U.S. -Anchor bolts shall be accurately set to a tolerance of +/- 1/8 in both elevation and location (AISC Code of Standard Practice for Steel Buildings and Bridges).

Canada -Anchor bolts shall be accurately set in accordance with CISC Code of Standard Practice, January 2000, Clause 7.7.1

ADJACENT EXISTING BUILDINGS

The manufacturer does not investigate the influence of the Metal Building System on adjacent existing buildings or structures. The end customer assures that such buildings and structures are adequate to resist snow loads or other conditions as a result of the presence of the Metal Building System. (MBMA 2002 Metal Building Systems Manual, Part IV, Section 3.2.5)

SHOP-PRIMED STEEL

All structural members of the Metal Building System not fabricated of corrosion resistant material or protected by corrosion resistant coating are painted with one coat of shop primer meeting the performance requirements of FS T1P-636D. All surfaces to receive shop primer are cleaned of loose rust, loose mill scale and other foreign matter by using, as a minimum, the hand tool cleaning method SSPC-SP2 (Steel Manual Structures Painting Council) prior to painting. The coat of shop primer is intended to protect the steel framing for only a short period of exposure to ordinary atmospheric conditions. Shop-primed is intended to protect the steel erection should be placed on blocking to prevent contact with the ground, and so positioned as to minimize water holding pockets, dust, mud or other contamination of the primer film. Repairs of damage to primed surfaces and or removal of foreign material due to improper field storage or site conditions are not the responsibility of the manufacturer. (CISC Code of Standard Practice, January 2000, Clause 6.8; (MBMA Metal Building Systems Manual, Part IV, Section 4.2.4).

ERECTION-GENERAL

The erector, by entering into contract to erect the building, holds itself out as skilled in the erection of Metal Building Systems and is responsible for complying with all applicable local, federal, and state construction and safety regulations including OSHA regulations as well as any applicable requirements of local, national, or international union rules or practices. (CISC Code of Standard Practice, January 2000, Clause 7.2; (MBMA 2002 Metal Building System Manual, Part IV, Section 6.9).

The erector shall erect the Metal Building System in accordance with the erection drawings, the Erection and Detail Manual (January 2010), and / or the Seam-Lok Technical - Erection manual (January 2010) as furnished by the manufacturer. The aforementioned erection information is intended to illustrate the layout of the framing members, provide the associated connection details, and suggests sequence of erection. It is not intended to specify any particular method of erection to be followed by the erector. The erector remains solely responsible for the safety and appropriateness of all techniques and methods utilized by its crews in the erection of the Metal Building System. The erector is responsible for supplying any safety devices such as scaffolds, runways, nets, et, which may be required to safely erect the Metal Building System. (MBMA 2002 Metal Building Systems Manual, Part IV, Section 6.9) The manufacturer expressly disclaims any responsibility for injury to persons in the course of erection or for damages to the product itself. Field erection of a Pre-Engineered Metal Building, as in all construction projects, involves hazards to persons within the area of the construction and risk of damage to the property itself. Only experienced persons who are skilled and qualified in the erection of Metal Building Systems should be permitted to field-erect a building due to the hazards of this construction activity. The manufacturer is not responsible for the erection of the Metal Building System, the supply of any tools or equipment, or any other field work. The manufacturer provides no field supervision for the erection of the structure nor does the manufacturer perform any intermediate or final inspections of the Metal Building System during or after erection.

The erector shall furnish temporary guys and bracing where needed for squaring, plumbing, and securing the structural framing against loads, such as wind loads acting on the exposed framing as well as loads due to erection equipment and erection operation, but not including loads resulting from the performance of work by others. Bracing furnished by the manufacturer for the Metal Building System cannot be assumed to be adequate during erection. Temporary supports such as temporary guys, braces, false work, cribbing, or other elements required for the erection operation will be determined, erected, and installed by the erector. (AISC Code of Standard Practice for Steel Buildings and Bridges, March 7, 2000, Section 7.10.3; CISC Code of Standard Practices, January, 2000, Clause 1.5; MBMA Metal Buildings System Manual, Part IV, Section 6.2.1.5).

ERECTION TOLERANCES

U.S. ; Erection tolerances are those set forth in AISC code of standard practice except individual members are considered, plumb, level and aligned if the deviation does not exceed 1:300. (AISC Code of Standard Practice for Steel Buildings and Bridges March 7, 2000 Section 7.13.1; MBMA 2002 Metal Building Systems Manual, Part IV, Section 6.8)

Canada; Erection tolerances are those set forth in CISC Code of Standard Practice except individual members are considered plumb, level and aligned if the deviation does not exceed 1:500. (CISC Handbook of Steel Construction, Ninth Edition, Second Revised Printing, Part I, Clause 29.7.2; MBMA 2002 Metal Building Systems Manual, Part IV, Section 6.8)

BOLT TIGHTENING

The proper tightening and inspection of all fasteners is the responsibility of the erector. All high strength (ASTM A325, ASTM A490) bolts and nuts must be tightened by the "turn-of-the-nut" method unless otherwise specified by the end customer in the contract documents. Inspection of high strength bolt end nut installation by other than the erector must also be specified in the contract documents and the erector is responsible for ensuring that the installation procedures are compatible prior to the start of erection (CISC Handbook of Steel Construction, Ninth Edition, Second Revised Printing, Part 1, Clause 23.8.2), (MBMA 2002 Metal Building Systems Manual, Part IV, Section 5.9)

Table with 6 columns: MATERIALS, ASTM DESIGNATION, MINIMUM YIELD, MATERIALS, ASTM DESIGNATION, MINIMUM YIELD. Rows include Hot-Rolled Mill Sections, Structural Steel Plates, Structural Steel Bars, Cold Formed Light Gauge Shapes, Cable Bracing, Rod Bracing, Roof and Wall Sheeting, Mild Steel Bolts, High Strength Bolts, Anchor Rods (If supplied), and Pipe and Hollow Structural Sections.

CORRECTION OF ERRORS AND REPAIRS

The correction of minor misfits by the use of drift pins to draw the components into line, shimming, moderate amounts of reaming, chipping, and cutting, and the replacement of minor shortages of material are a normal part of erection and are not subject to claim. (AISC Code of Standard Practice for Steel Buildings and Bridges, March 7, 2000, Section 7.14; CISC Code of Standard Practice, January 2000, Clause 7.15; MBMA 2002 Metal Building Systems Manual, Part IV, Section 6.10).

DRAWING DISCREPANCIES

In case of discrepancies between the manufacturers steel plans and plans for other trades, the manufacturers steel plans govern. (AISC Code of Standard Practice for Steel Buildings and Bridges, March 7, 2000, Section 3.3; CISC Code of Standard Practice, January 2000, Clause 3.4; MBMA 2002 Metal Building Systems Manual, Part IV, Section 3.1).

DELIVERIES

Delivery of any material by the manufacturers carrier, a common carrier, or to purchasers/ customers own leased, chartered, or authorized conveyance shall constitute delivery to builder, and thereafter, such material shall be at builders risk. If builder chooses to use its own, or private carrier, it shall be solely responsible for compliance with all applicable government regulations. All charges shall be borne by the builder. The manufacturers responsibility for damage or loss ceases upon delivery of shipment to carrier. The manufacturer will endeavor to deliver on the required date. The manufacturers truck is not considered as being late if deliveries are between 8am - 12pm (morning) and 12pm - 5pm (afternoon). However, the manufacturer cannot be held responsible for circumstances beyond our control. For deliveries via the manufacturers truck, the manufacturer will only honor claims that were approved by the customer service department at the time of delivery. For deliveries via contract carriers, it is the responsibility of the customer to file claims with the carrier. The manufacturer cannot assume any liability for the claim.

SHORTAGES

The purchaser /customer should make an inspection upon arrival of all building components. The purchaser/customer must note on the freight bill any missing item(s) and notify the manufacturers customer service department immediately; otherwise, the manufacturer cannot be held responsible for any shortages. If any item is damaged, note on the bill of lading and file a claim with the freight agent. Concealed shortages must be reported to the manufacturers customer service department within the following time frames (date from receipt of first delivery), based on the project shipment size, i.e., number of truck loads used in delivery.

1 to 3 loads.... 2 weeks 4 loads and over.... 3 weeks

The manufacturers responsibility for shortages expires at the end of these time periods.

FABRICATION ERRORS

The purchaser/customer is responsible for contacting the customer service department to advise the manufacturer of fabrication problems and corresponding cost estimates. The manufacturer will be responsible for providing the builder with verbal approval to proceed with appropriate field corrections. This will be done in a timely manner. IF THE BUILDER PROCEEDS WITH CORRECTIVE WORK WITHOUT THE MANUFACTURERS APPROVAL, HE DOES SO AT HIS OWN RISK. The manufacturer shall not be responsible for any claims where the purchaser/customer has not documented the problem, its correction, and reasonable costs for repair, and submitted this documentation for payment within 30 days of the occurrence.

INVOICE PAYMENT

By acceptance of the materials of services set forth in the invoice, the purchaser/customer agrees to pay the invoice amount within the time period specified on the invoice. AT NO TIME IS IT ACCEPTABLE TO DEDUCT A BACK CHARGE OR SHORTAGE FROM AN INVOICE.

SAFETY PROCEDURES

THE MANUFACTURER IS COMMITTED TO MANUFACTURING A QUALITY PRODUCT THAT CAN BE ERECTED SAFELY. ALTHOUGH GOOD JOB SITE PRACTICES AND A COMMITMENT TO SAFETY BY THE ERECTOR ARE BEYOND THE CONTROL OF THE MANUFACTURER, THE MANUFACTURER HIGHLY RECOMMENDS THE ERECTOR PROVIDE GOOD, SAFE WORKING CONDITIONS ON THE JOB SITE. THE ERECTOR SHOULD FOLLOW ALL LOCAL, STATE, AND FEDERAL HEALTH AND SAFETY REGULATIONS AT ALL TIMES. ACCIDENT PREVENTION PRACTICES SHOULD BE IMPLEMENTED AND EACH EMPLOYEE SHOULD KNOW EMERGENCY PROCEDURES. THE MANUFACTURER ALSO RECOMMENDS DAILY MEETINGS TO DISCUSS ERECTION SAFETY PROCEDURES. FOR ADDITIONAL INFORMATION CONCERNING FEDERAL HEALTH AND SAFETY REGULATIONS, CONTACT THE OCCUPATIONAL SAFETY AND HEALTH ADMINISTRATION (OSHA).

U.S. Department of Labor Occupational Safety and Health Administration 200 Constitution Avenue, N.W. Washington, DC 20210 www.osha.gov

THE MANUFACTURER SHALL NOT BE RESPONSIBLE FOR PERSONAL INJURY OR PROPERTY DAMAGE AS A RESULT OF FAILURE TO FOLLOW ALL APPLICABLE SAFETY REGULATIONS AND MATERIAL HANDLING AND INSTALLATION RECOMMENDATIONS.



114 ROSEMENT LANE, IMLER, PA 16655 (814)276-9611

PHOENIX PROPERTY MANAGEMENT

65'-0" x 105'-0" x 17'-0"

DATE: 12/6/11

ENG: JUT

DWN: KAH

APPD: JUT

REVISION: 01

F.O. 16838

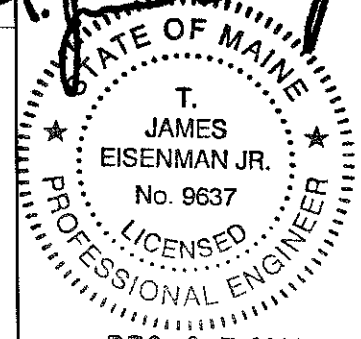
PHOENIX PROPERTY MANAGEMENT REVISION HISTORY

Table with 3 columns: REV, DESCRIPTION, DATE. Row 1: 01, SEE CO-01, 12/6/11

FOR APPROVAL: THESE DRAWINGS, BEING FOR APPROVAL, ARE BY DEFINITION NOT FINAL, AND ARE FOR CONCEPTUAL REPRESENTATION ONLY. THEIR PURPOSE IS TO CONFIRM PROPER INTERPRETATION OF THE PROJECT DOCUMENTS. ONLY DRAWINGS ISSUED FOR CONSTRUCTION CAN BE CONSIDERED AS COMPLETE.

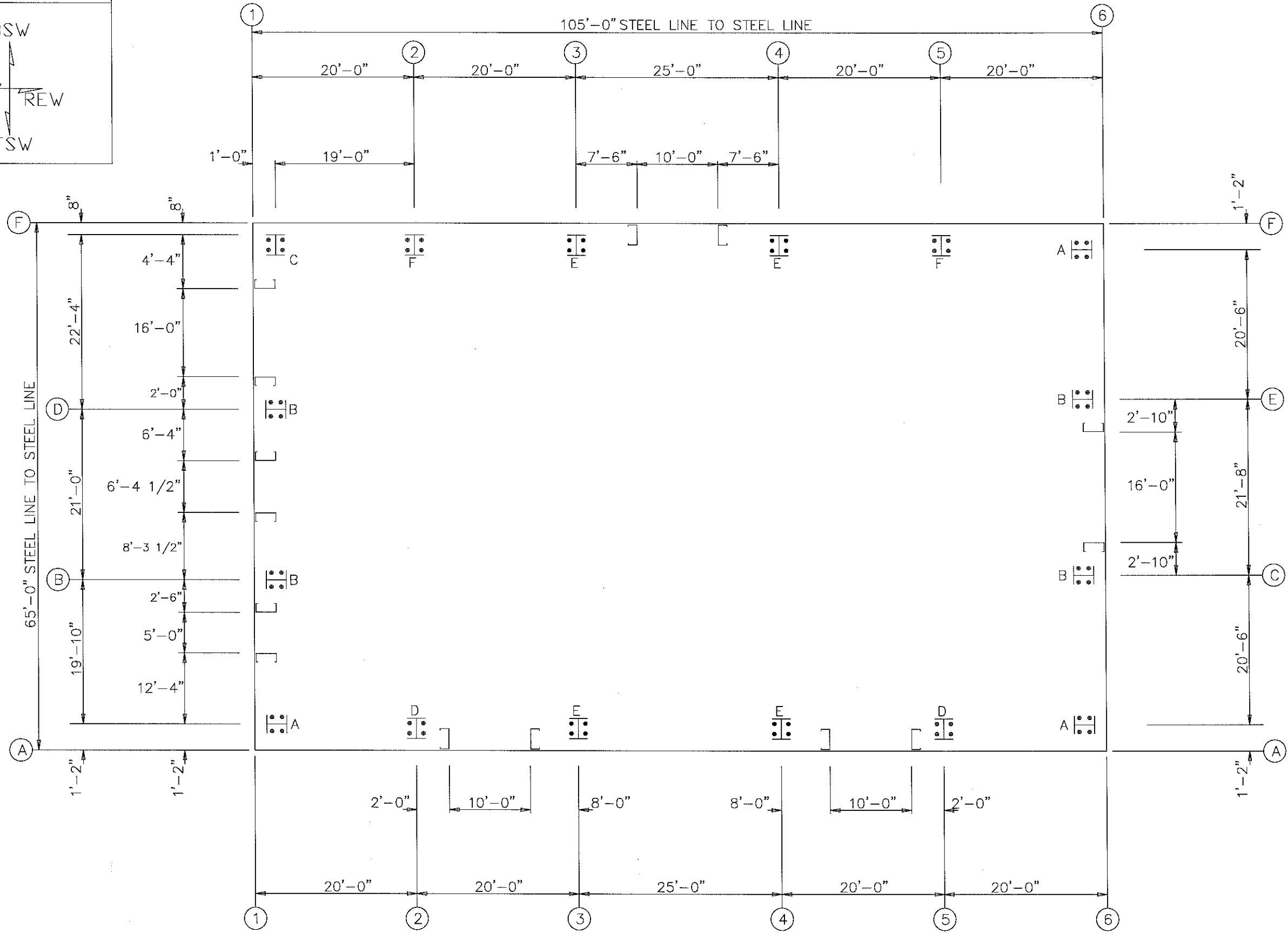
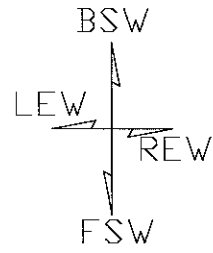
FOR PERMIT: THESE DRAWINGS, BEING FOR PERMIT, ARE BY DEFINITION NOT FINAL. ONLY DRAWINGS ISSUED FOR CONSTRUCTION CAN BE CONSIDERED AS COMPLETE.

FOR CONSTRUCTION: THESE DRAWINGS, BEING FOR CONSTRUCTION, CAN BE CONSIDERED AS COMPLETE.



DEC 07 2011

LEGEND



ANCHOR BOLT PLAN  
NOTE: All Base Plates @ 100'-0" (U.N.)



114 ROSEMONT LANE, IMLER, PA 16655 (814)276-9611

PHOENIX PROPERTY MANAGEMENT

65'-0" x 105'-0" x 17'-0"

DATE: 12/6/11 REVISION: 01

ENG: JJT

DWN: DJH

APPD: JJT

F.O. 16838

PHOENIX PROPERTY MANAGEMENT

REVISION HISTORY

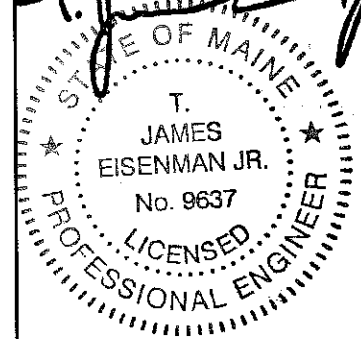
REV.	DESCRIPTION	DATE
01	SEE CO-01	12/6/11

DRAWING STATUS

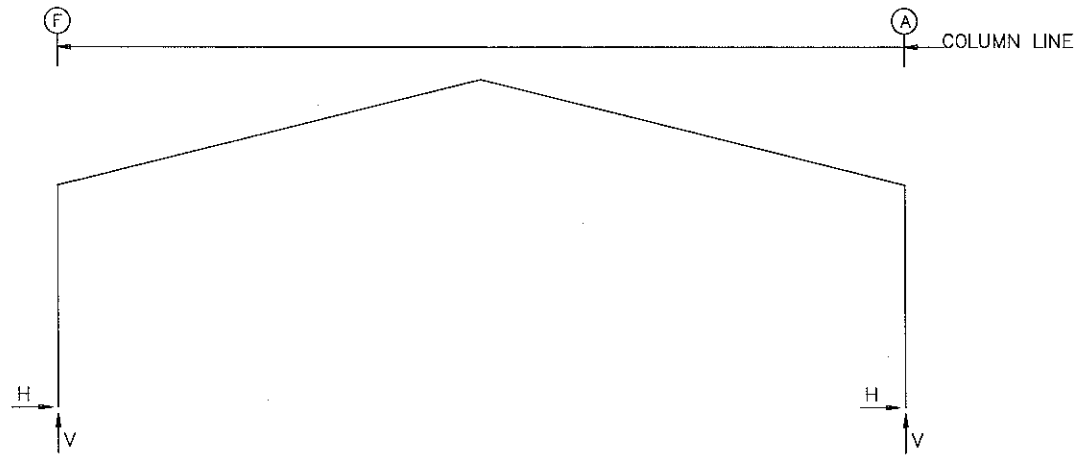
FOR APPROVAL: THESE DRAWINGS, BEING FOR APPROVAL, ARE BY DEFINITION NOT FINAL, AND ARE FOR CONCEPTUAL REPRESENTATION ONLY. THEIR PURPOSE IS TO CONFIRM PROPER INTERPRETATION OF THE PROJECT DOCUMENTS. ONLY DRAWINGS ISSUED "FOR CONSTRUCTION" CAN BE CONSIDERED AS COMPLETE.

FOR PERMIT: THESE DRAWINGS, BEING FOR PERMIT, ARE BY DEFINITION NOT FINAL. ONLY DRAWINGS ISSUED "FOR CONSTRUCTION" CAN BE CONSIDERED AS COMPLETE.

FOR CONSTRUCTION: THESE DRAWINGS, BEING FOR PERMIT, ARE BY DEFINITION NOT FINAL. ONLY DRAWINGS ISSUED "FOR CONSTRUCTION" CAN BE CONSIDERED AS COMPLETE.



FRAME LINES: 2 3 4 5



RIGID FRAME: ANCHOR BOLTS & BASE PLATES

Frm Line	Col Line	Anc. Bolt Qty	Anc. Bolt Dia	Base_Plate (in)		Grout (in)
				Width	Length	Thick
2 *	F	4	0.750	8.000	11.76	0.500
2 *	A	4	0.750	8.000	11.63	0.500

2 \* Frame lines: 2 5

RIGID FRAME: ANCHOR BOLTS & BASE PLATES

Frm Line	Col Line	Anc. Bolt Qty	Anc. Bolt Dia	Base_Plate (in)		Grout (in)
				Width	Length	Thick
3 *	F	4	1.000	8.000	11.82	0.500
3 *	A	4	1.000	8.000	11.82	0.500

3 \* Frame lines: 3 4

RIGID FRAME: BASIC COLUMN REACTIONS (k)

Frame Line	Column Line	---Dead---		---Collateral---		---Live---		---Snow---		---Wind_L1---		---Wind_R1---	
		Horiz	Vert	Horiz	Vert	Horiz	Vert	Horiz	Vert	Horiz	Vert	Horiz	Vert
2 *	F	1.5	3.4	2.1	3.4	7.9	13.8	16.4	30.7	-7.2	-10.4	0.1	-6.8
2 *	A	-1.5	3.4	-2.1	3.3	-7.9	13.8	-16.4	30.6	-0.1	-6.8	7.2	-10.4
2 *	F	-6.5	-6.9	0.8	-3.3	-3.1	-11.7	-2.1	-8.1	-4.7	-2.3	4.7	2.3
2 *	A	-0.8	-3.3	6.5	-6.9	3.1	-8.6	2.1	-5.0	-4.8	2.3	4.8	-2.3
2 *	F	0.0	-10.9	0.0	-1.2	-0.3	-0.2	0.0	-1.2	-0.3	-0.2	14.2	26.7
2 *	A	0.0	0.0	0.3	-0.2	0.0	-1.2	0.3	-0.2	0.0	-1.2	-14.2	15.7
2 *	F	14.1	15.7										
2 *	A	-14.1	26.7										
3 *	F	1.7	3.9	2.3	3.8	8.9	15.5	18.4	34.5	-6.8	-11.1	-1.1	-8.3
3 *	A	-1.7	3.9	-2.3	3.8	-8.9	15.5	-18.4	34.5	1.1	-8.3	6.8	-11.1
3 *	F	-6.0	-7.1	-0.4	-4.3	-3.5	-12.8	-2.4	-8.8	-3.2	-1.6	3.2	1.6
3 *	A	0.4	-4.3	6.0	-7.1	3.5	-12.1	2.4	-8.1	-3.2	1.6	3.2	-1.6
3 *	F	0.0	-10.9	0.0	-1.4	-0.4	-0.3	0.0	-1.4	-0.4	-0.3	15.9	30.0
3 *	A	0.0	-8.7	0.4	-0.3	0.0	-1.4	0.4	-0.3	0.0	-1.4	-15.9	17.6
3 *	F	15.9	17.6										
3 *	A	-15.9	30.0										
2 *	Frame lines:			2	5								
3 *	Frame lines:			3	4								



114 ROSEMONT LANE, MILLER, PA. 16655 (814)276-9611

PHOENIX PROPERTY MANAGEMENT

65'-0" x 105'-0" x 17'-0"

DATE: 12/6/11

ENG: JJT

DWN: DJH

APPD: JJT

REVISION: 01

F.O. 16838

PHOENIX PROPERTY MANAGEMENT

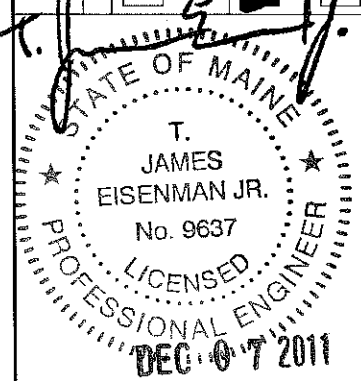
REVISION HISTORY

REV.	DATE	DESCRIPTION
01	12/6/11	SEE CO-01

DRAWING STATUS

FOR APPROVAL: THESE DRAWINGS, BEING FOR APPROVAL, ARE BY DEFINITION NOT FINAL, AND ARE FOR CONCEPTUAL REPRESENTATION ONLY. THEIR PURPOSE IS TO CONFIRM PROPER INTERPRETATION OF THE PROJECT DOCUMENTS. ONLY DRAWINGS ISSUED FOR CONSTRUCTION CAN BE CONSIDERED AS COMPLETE.

FOR PERMIT: THESE DRAWINGS, BEING FOR PERMIT, ARE BY DEFINITION NOT FINAL. ONLY DRAWINGS ISSUED FOR CONSTRUCTION CAN BE CONSIDERED AS COMPLETE.



**ENDWALL COLUMN: BASIC COLUMN REACTIONS (k)**

Frm Line	Col Line	Dead Vert	Collat Vert	Live Vert	---Snow--- Horz Vert	---Drift--- Vert	Rafter Wind_L Vert	Rafter Wind_R Vert	Brace Wind_L Vert	Brace Wind_R Vert	Wind_P Horz	Wind_S Horz
1	F	0.9	0.6	2.9	0.0	7.2	0.0	-2.8	-2.5	-2.8	-2.5	-1.3
1	D	1.5	1.6	6.2	-0.1	12.9	0.0	-5.8	-3.5	-5.8	-3.5	-3.3
1	B	1.4	1.5	5.7	-0.1	11.8	0.0	-3.1	-5.3	-3.1	-5.3	-3.1
1	A	0.9	0.6	2.7	0.0	6.8	0.0	-2.3	-2.8	-2.3	-2.8	-1.2

Frm Line	Col Line	LnWind1 Vert	LnWind2 Vert	Seis_L Vert	Seis_R Vert	E1UNB_SL_L Horz	E1UNB_SL_R Vert	-LWIND1_L- Horz	-LWIND1_R- Vert	-LWIND2_L- Horz	-LWIND2_R- Vert
1	F	-1.7	-1.0	0.1	0.3	0.0	5.0	0.0	1.3	0.0	0.0
1	D	-4.0	-2.3	-0.2	-0.3	0.0	16.3	0.0	5.7	0.0	0.1
1	B	-3.7	-2.2	-0.3	-0.1	0.0	4.4	0.0	15.6	0.0	0.1
1	A	-1.6	-0.9	0.3	0.1	0.0	1.3	0.0	4.3	0.0	-0.5

Frm Line	Col Line	LnWind1 Horz	LnWind2 Vert	Seis_L Horz	Seis_R Vert	E2UNB_SL_L Horz	E2UNB_SL_R Vert	-LWIND1_L- Horz	-LWIND1_R- Vert	-LWIND2_L- Horz	-LWIND2_R- Vert
1	F	0.0	-0.5	0.0	0.0	0.0	0.0	0.0	-0.5	0.0	0.0
1	D	0.0	-0.6	0.0	0.1	0.0	0.0	0.0	0.1	0.0	0.1
1	B	0.0	0.1	0.0	-0.5	0.0	0.0	0.0	-0.5	0.0	0.1
1	A	0.0	0.0	0.0	-0.5	0.0	0.0	0.0	-0.5	0.0	0.0

Frm Line	Col Line	Dead Vert	Collat Vert	Live Vert	Snow Vert	Rafter Wind_L Vert	Rafter Wind_R Vert	Brace Wind_L Vert	Brace Wind_R Vert	Wind_P Horz	Wind_S Horz	LnWind1 Vert	LnWind2 Vert
6	A	0.9	0.6	2.8	6.9	-2.9	-2.4	-2.9	-2.4	-1.3	1.5	-1.6	-1.0
6	C	1.5	1.6	6.0	12.5	-5.4	-3.4	-5.4	-3.4	-3.2	3.6	-3.8	-2.3
6	E	1.5	1.6	6.0	12.5	-3.4	-5.4	-3.4	-5.4	-3.2	3.6	-3.8	-2.3
6	F	0.9	0.6	2.8	6.9	-2.4	-2.9	-2.4	-2.9	-1.3	1.5	-1.6	-1.0

Frm Line	Col Line	Seis_L Vert	Seis_R Vert	E2UNB_SL_L Horz	E2UNB_SL_R Vert	-LWIND1_L- Horz	-LWIND1_R- Vert	-LWIND2_L- Horz	-LWIND2_R- Vert
6	A	0.1	0.3	0.0	4.5	0.0	1.2	0.0	-0.5
6	C	-0.2	-0.3	0.0	16.0	0.0	5.2	0.0	0.1
6	E	-0.3	-0.2	0.0	5.2	0.0	16.0	0.0	-0.5
6	F	0.3	0.1	0.0	1.2	0.0	4.5	0.0	0.0

Frm Line	Col Line	-LWIND2_R- Horz	-LWIND2_R- Vert
6	A	0.0	0.0
6	C	0.0	0.1
6	E	0.0	-0.5
6	F	0.0	-0.5

**ANCHOR BOLT SUMMARY**

Qty	Locate	Dia (in)	Type
0 32	Endwall	3/4"	
0 16	Frame	3/4"	
0 16	Frame	1"	

**BUILDING BRACING REACTIONS**

Reactions in plane of wall ± Reactions (k) Panel

Loc	Line	Col Line	Wind Horz	Seismic Vert	Shear Vert	(lb/ft)
L_EW	1	Bracing	In Roof	To Rigid	Frame	
F_SW	A	3,4	4.2	*	11.5	*
R_EW	6	Bracing	In Roof	To Rigid	Frame	
B_SW	F	5,4	4.2	*	11.5	*

\*See RF reactions table for vertical and horizontal reactions in plane of the rigid frame.

**ENDWALL COLUMN: ANCHOR BOLTS & BASE PLATES**

Frm Line	Col Line	Anc. Bolt Qty	Anc. Bolt Dia	Base Plate Width	Base Plate Length	Base Plate Thick	Grout (in)
1	F	4	0.750	6.000	9.875	0.375	0.0
1	D	4	0.750	6.000	9.875	0.375	0.0
1	B	4	0.750	6.000	9.875	0.375	0.0
1	A	4	0.750	6.000	9.875	0.375	0.0
6	A	4	0.750	6.000	9.875	0.375	0.0
6	C	4	0.750	6.000	9.875	0.375	0.0
6	E	4	0.750	6.000	9.875	0.375	0.0
6	F	4	0.750	6.000	9.875	0.375	0.0


**NOTES FOR REACTIONS**

- All loading conditions are examined and only the maximum / minimum H or V and the corresponding H or V are reported.
- Positive reactions are shown in the sketch. Foundation loads are in opposite directions.
- Bracing reactions are in the plane of the brace with the H pointing away from the braced bay. The vertical reaction is downward.
- Building reactions are based on the following building data:

**DESIGN CRITERIA**

Width (ft)	= 65	SEISMIC CRITERIA	
Length (ft)	= 105	Seismic Importance	= 1.00
Eave Height (ft)	= 17	Occupancy Category	= II - Normal
Roof Slope (rise/12)	= 3.0:12		
Building Code	= IBC 09	Mapped Spectral Response Accelerations	
Local Code (State / Prov)	= IBC 09	Ss	= 0.4100
Dead Load (psf)	= 2.630	S1	= 0.1000
Collateral Load (psf)	= 5	Spectral Response Coefficients	
Roof Live Load (psf)	= 20.00	Sds	= 0.5434
Frame Live Load (psf)	= 20	Sd1	= 0.2333
		Site Class	= E
Snow:		Seismic Design Category	= D
Ground Snow Load (psf)	= 60.0000	Base Shear	
Snow Importance	= 1.0000	Expanded Formula	= 0.667*le*Fa*Ss*W/R
Thermal Coefficient	= 1.00	Longitudinal Base Shear	= 22.98
Snow Exposure Factor	= 1.00	Transverse Base Shear	= 24.38
Slippery Roof	= N		
Roof Snow Load (psf)	= 42		
Wind:		Seismic Response Coefficients	
Basic Wind Speed (mph)	= 100 mph	Frame	= 0.167
Occupancy Category	= II - Normal	FSW	= 0.167
Importance - Wind	= 1.00	BSW	= 0.167
Wind Exposure	= B		
Enclosure Classification	= C	Response Modification Factors	
Internal Pressure Coefficients		Frame	= 3.25
Pressure	= 0.18	FSW	= 3.25
Suction	= -0.18	BSW	= 3.25
Components & Cladding			
Design Pressure:			
Pressure	= 17.974		
Suction	= -24.021		

Equivalent Lateral Brace Force Procedure.



114 ROSEBANK LANE, MILLER, PA 16655 (814)276-9611

**PHOENIX PROPERTY MANAGEMENT**

65'-0" x 105'-0" x 17'-0"

DATE: 12/6/11      REVISION: 01

ENG: JJT      DWN: DJH      APPD: JJT

---

**F.O. 16838**

REV.	DESCRIPTION	DATE
01	SEE CO-01	12/6/11

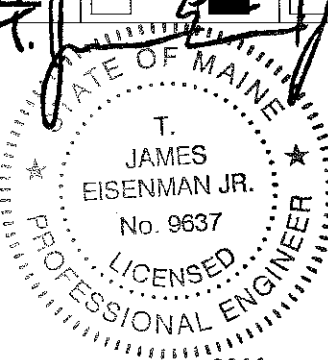
**PHOENIX PROPERTY MANAGEMENT**

**DRAWING STATUS**

FOR APPROVAL: THESE DRAWINGS, BEING FOR APPROVAL, ARE BY DEFINITION NOT FINAL, AND ARE FOR CONCEPTUAL REPRESENTATION ONLY. THEIR PURPOSE IS TO CONFIRM PROPER INTERPRETATION OF THE PROJECT DOCUMENTS. ONLY DRAWINGS ISSUED "FOR CONSTRUCTION" CAN BE CONSIDERED AS COMPLETE.

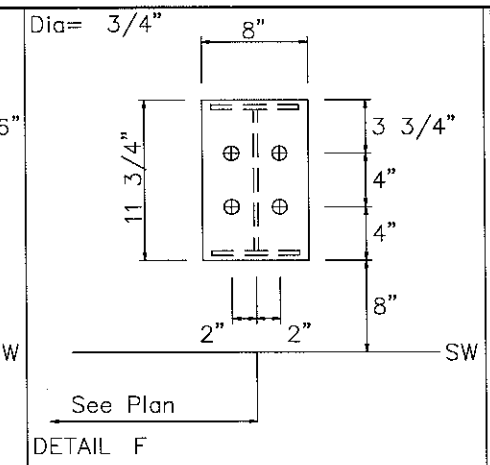
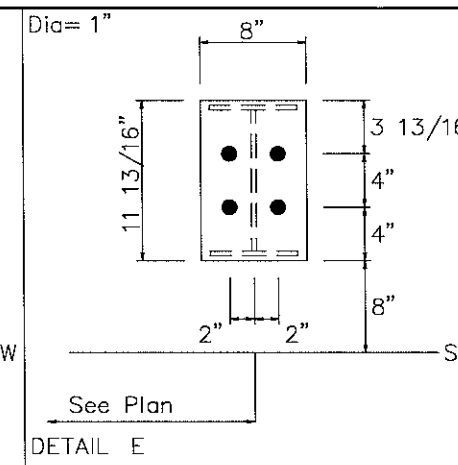
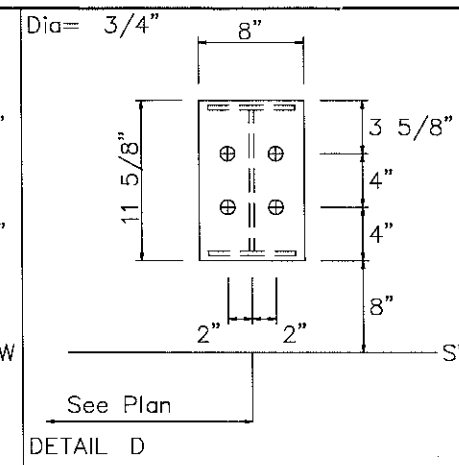
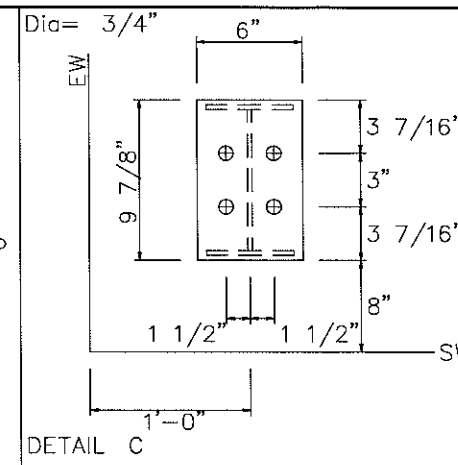
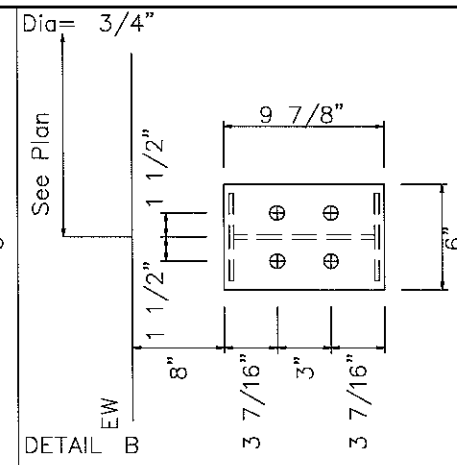
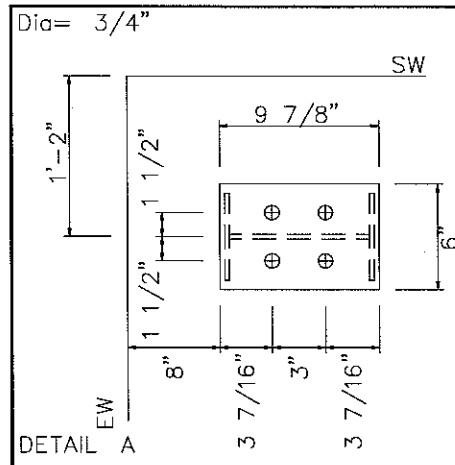
FOR PERMIT: THESE DRAWINGS, BEING FOR PERMIT, ARE BY DEFINITION NOT FINAL, ONLY DRAWINGS ISSUED "FOR CONSTRUCTION" CAN BE CONSIDERED AS COMPLETE.

FOR CONSTRUCTION: THESE DRAWINGS, BEING FOR CONSTRUCTION, ARE BY DEFINITION FINAL DRAWINGS.



DEC 07 2011

**PAGE 4 OF 17**



**ADDITIONAL LOADING INFORMATION**

Mezzanine Loads:

Dead Load \_\_\_\_\_ PSF

Collateral Load \_\_\_\_\_ PSF

Live Load \_\_\_\_\_ PSF

Crane Information:

Crane Type \_\_\_\_\_

CMAA Service Class \_\_\_\_\_

Crane capacity = \_\_\_\_\_ Kips

Bridge Weight = \_\_\_\_\_ Kips

Hoist/Trolley Weight = \_\_\_\_\_ Kips

Wheel Spacing = \_\_\_\_\_ Ft.

Additional Loads:

1. \_\_\_\_\_

2. \_\_\_\_\_

3. \_\_\_\_\_

114 ROSEMONT LANE, MILLER, PA 16655 (814)276-9811

**PHOENIX PROPERTY MANAGEMENT**

65'-0" x 105'-0" x 17'-0"

DATE: 12/6/11

REVISION: 01

ENG: JJT

DWN: DJH

APPD: JJT

F.O. 16838

REV.	DESCRIPTION	DATE
01	SEE CO-01	12/6/11

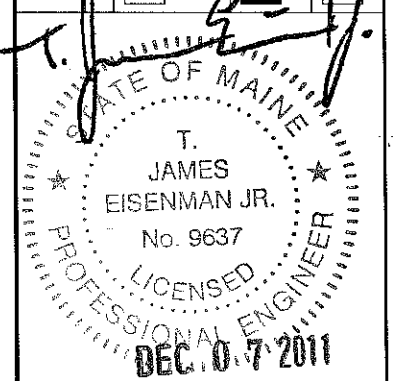
**PHOENIX PROPERTY MANAGEMENT**

**DRAWING STATUS**

FOR APPROVAL: THESE DRAWINGS, BEING FOR APPROVAL, ARE BY DEFINITION NOT FINAL, AND ARE FOR CONCEPTUAL REPRESENTATION ONLY. THEIR PURPOSE IS TO CONFIRM PROPER INTERPRETATION OF THE PROJECT DOCUMENTS. ONLY DRAWINGS ISSUED "FOR CONSTRUCTION" CAN BE CONSIDERED AS COMPLETE.

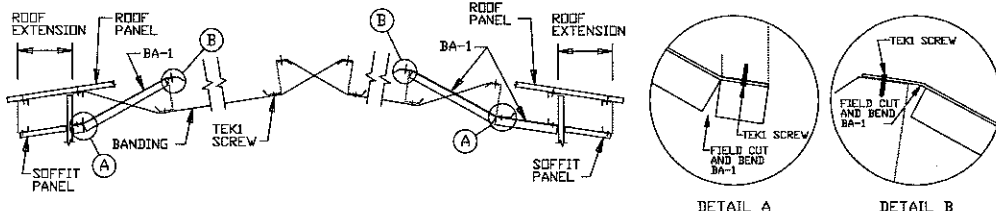
FOR PERMIT: THESE DRAWINGS, BEING FOR PERMIT, ARE BY DEFINITION NOT FINAL. ONLY DRAWINGS ISSUED "FOR CONSTRUCTION" CAN BE CONSIDERED AS COMPLETE.

FOR CONSTRUCTION: THESE DRAWINGS, BEING FOR CONSTRUCTION, ARE BY DEFINITION FINAL. ONLY DRAWINGS ISSUED "FOR CONSTRUCTION" CAN BE CONSIDERED AS COMPLETE.



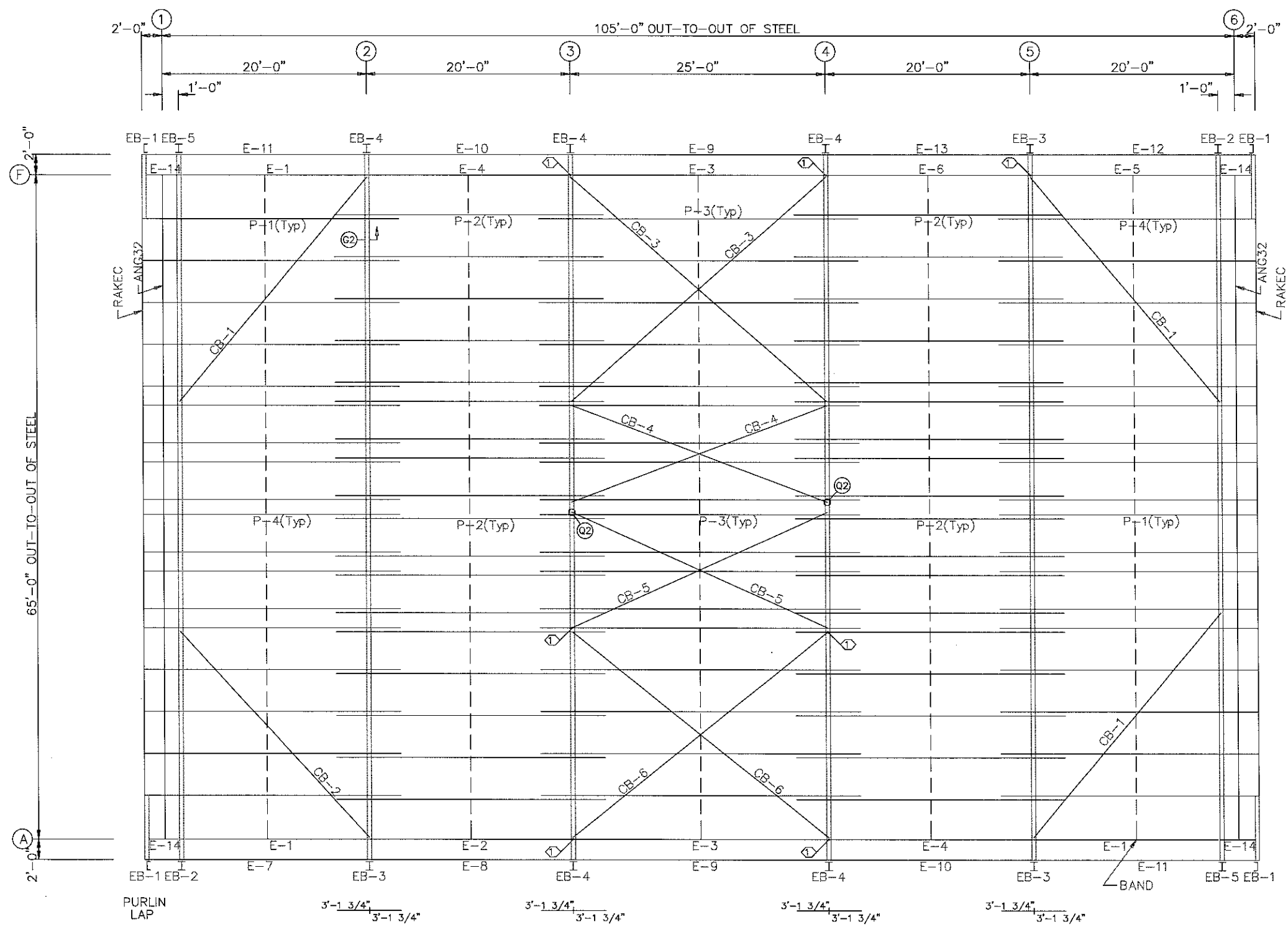
STANDARD PURLIN BRACING DETAIL FOR SCREW-DOWN PANELS

NOTE 1: SPACE BANDING EVENLY ACROSS BAYS



CONDITION 1: FIRST PURLIN SPACE GREATER THAN 2'-0"

CONDITION 2: FIRST PURLIN SPACE LESS THAN OR EQUAL TO 2'-0"



ROOF FRAMING PLAN

EXTENSION/CANOPY BOLTS				
ROOF PLAN				
MARK	QUAN	TYPE	DIA	LENGTH
EB-2	4	A325	1/2"	1 1/4"
EB-3	4	A325	1/2"	1 1/4"
EB-4	4	A325	1/2"	1 1/4"
EB-5	4	A325	1/2"	1 1/4"

MEMBER TABLE			
ROOF PLAN			
QUAN	MARK	PART	LENGTH
4	EB-1	10X30C16	11'-6 1/16"
2	EB-2	W10X12	3'-3 1/4"
3	EB-3	W10X12	3'-9 1/4"
5	EB-4	W10X12	3'-9 1/4"
2	EB-5	W10X12	3'-3 1/4"
18	P-1	10X25Z14	25'-1 1/2"
36	P-2	10X25Z14	26'-3 1/2"
18	P-3	10X25Z14	31'-3 1/2"
18	P-4	10X25Z14	25'-1 1/2"
3	E-1	10X35E12	18'-5 1/2"
1	E-2	10X35E12	19'-5 1/2"
2	E-3	10X35E10	24'-5 1/2"
2	E-4	10X35E12	19'-5 1/2"
1	E-5	10X35E12	18'-5 1/2"
1	E-6	10X35E12	19'-5 1/2"
1	E-7	10X35E13	21'-8 1/2"
1	E-8	10X35E13	19'-5 1/2"
2	E-9	10X35E13	24'-5 1/2"
2	E-10	10X35E13	19'-5 1/2"
2	E-11	10X35E13	21'-8 1/2"
1	E-12	10X35E13	21'-8 1/2"
1	E-13	10X35E13	19'-5 1/2"
4	E-14	10X35E12	2'-8 1/2"
3	CB-1	CABLE500	26'-8 1/16"
1	CB-2	CABLE500	22'-6 1/16"
2	CB-3	CABLE500	30'-7 5/16"
2	CB-4	CABLE250	24'-11"
2	CB-5	CABLE250	25'-7 5/8"
2	CB-6	CABLE500	29'-4 11/16"

SPECIAL BOLTS				
ROOF PLAN				
ID	QUAN	TYPE	DIA	LENGTH WASH
1	4	A325	1/2"	1 1/4" 0

114 ROSEMONT LANE, MILLER, PA 16655 (814)276-9611

PHOENIX PROPERTY MANAGEMENT

65'-0" x 105'-0" x 17'-0"

DATE: 12/6/11 REVISION: 01

ENG: JJT DWN: KAH APPD: JJT

F.O. 16838

REV.	DESCRIPTION	DATE
01	SEE C001	12/6/11

PHOENIX PROPERTY MANAGEMENT

DRAWING STATUS

FOR APPROVAL: THESE DRAWINGS, BEING FOR APPROVAL, ARE BY DEFINITION NOT FINAL, AND ARE FOR CONCEPTUAL REPRESENTATION ONLY. THEIR PURPOSE IS TO CONFIRM PROPER INTERPRETATION OF THE PROJECT DOCUMENTS. ONLY DRAWINGS ISSUED "FOR CONSTRUCTION" CAN BE CONSIDERED AS COMPLETE.

FOR PERMIT: THESE DRAWINGS, BEING FOR PERMIT, ARE BY DEFINITION NOT FINAL. ONLY DRAWINGS ISSUED "FOR CONSTRUCTION" CAN BE CONSIDERED AS COMPLETE.

FOR CONSTRUCTION: THESE DRAWINGS, BEING FOR PERMIT, ARE BY DEFINITION NOT FINAL. ONLY DRAWINGS ISSUED "FOR CONSTRUCTION" CAN BE CONSIDERED AS COMPLETE.

STATE OF MAINE

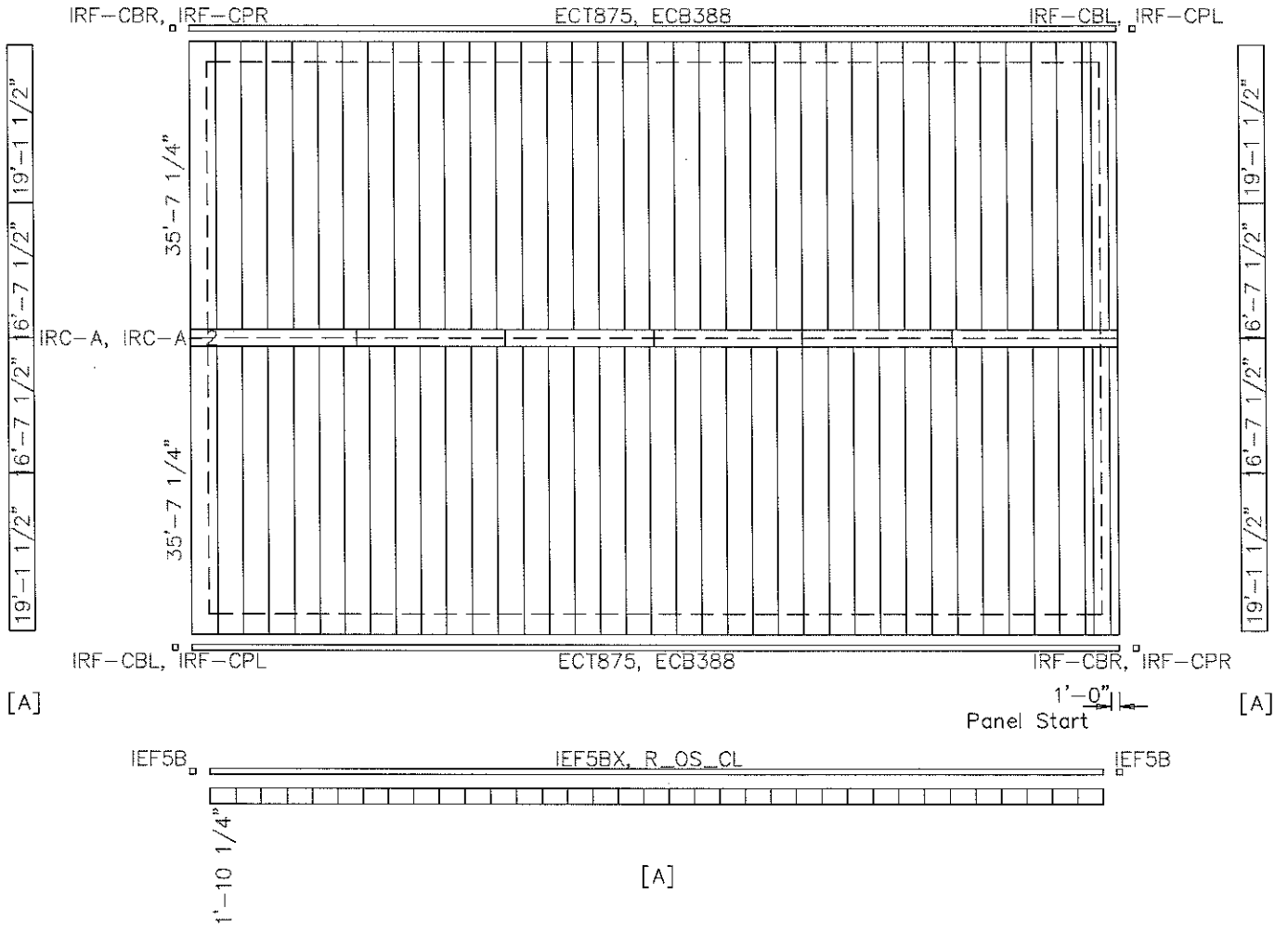
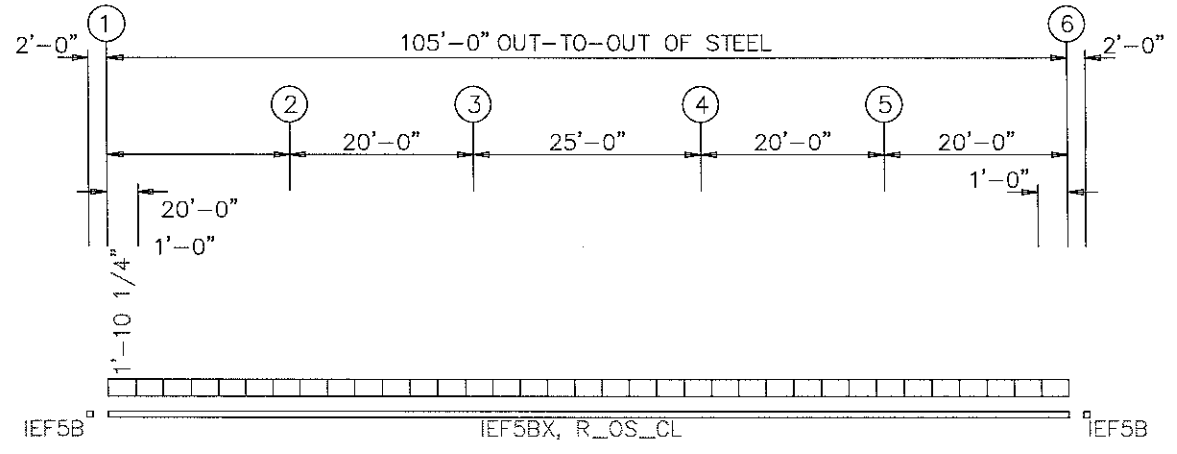
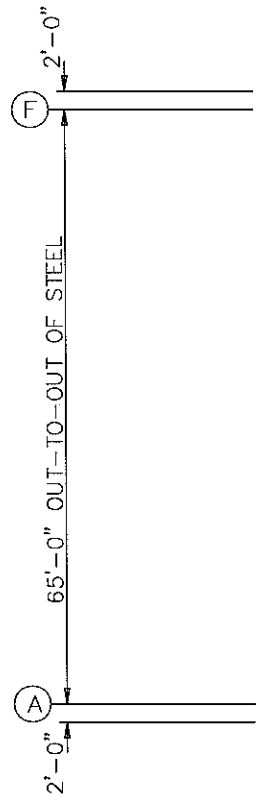
T. JAMES EISENMAN JR.

No. 9637

PROFESSIONAL ENGINEER

DEC 07 2011

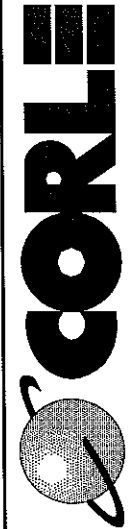
PAGE 6 OF 17



ROOF SHEETING PLAN  
 PANELS: 24 Ga. R - Arctic White  
 [A] SOFFIT PANELS: 26 Ga. R - Arctic White

GENERAL NOTES:

Panel "Start" and "End" dimensions must be followed for the proper installation of the gable trim(s) provided.



114 ROSEMONT LANE, MILLER, PA 16655 (814)276-9611

PHOENIX PROPERTY MANAGEMENT

65'-0" x 105'-0" x 17'-0"

DATE: 12/6/11 REVISION: 01

ENG: JJT

DWN: KAH

APPD: JJT

F.O. 16838

PHOENIX PROPERTY MANAGEMENT

REVISION HISTORY

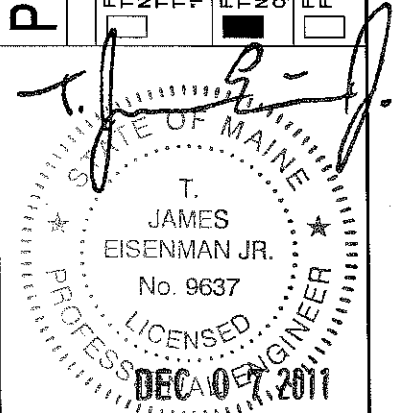
REV.	DESCRIPTION	DATE
01	SEE CO-01	12/6/11

DRAWING STATUS

FOR APPROVAL: THESE DRAWINGS, BEING FOR APPROVAL, ARE BY DEFINITION NOT FINAL, AND ARE FOR CONCEPTUAL REPRESENTATION ONLY. THEIR PURPOSE IS TO CONFIRM PROPER INTERPRETATION OF THE PROJECT DOCUMENTS. ONLY DRAWINGS ISSUED "FOR CONSTRUCTION" CAN BE CONSIDERED AS COMPLETE.

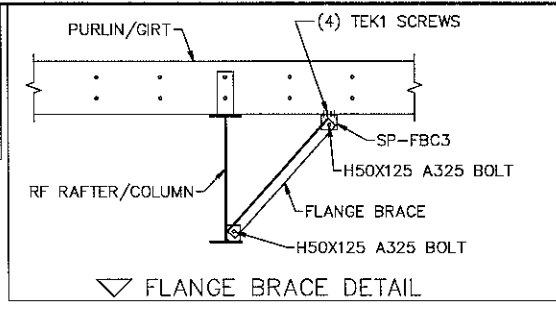
FOR PERMIT: THESE DRAWINGS, BEING FOR PERMIT, ARE BY DEFINITION NOT FINAL. ONLY DRAWINGS ISSUED "FOR CONSTRUCTION" CAN BE CONSIDERED AS COMPLETE.

FOR CONSTRUCTION: FINAL DRAWINGS.



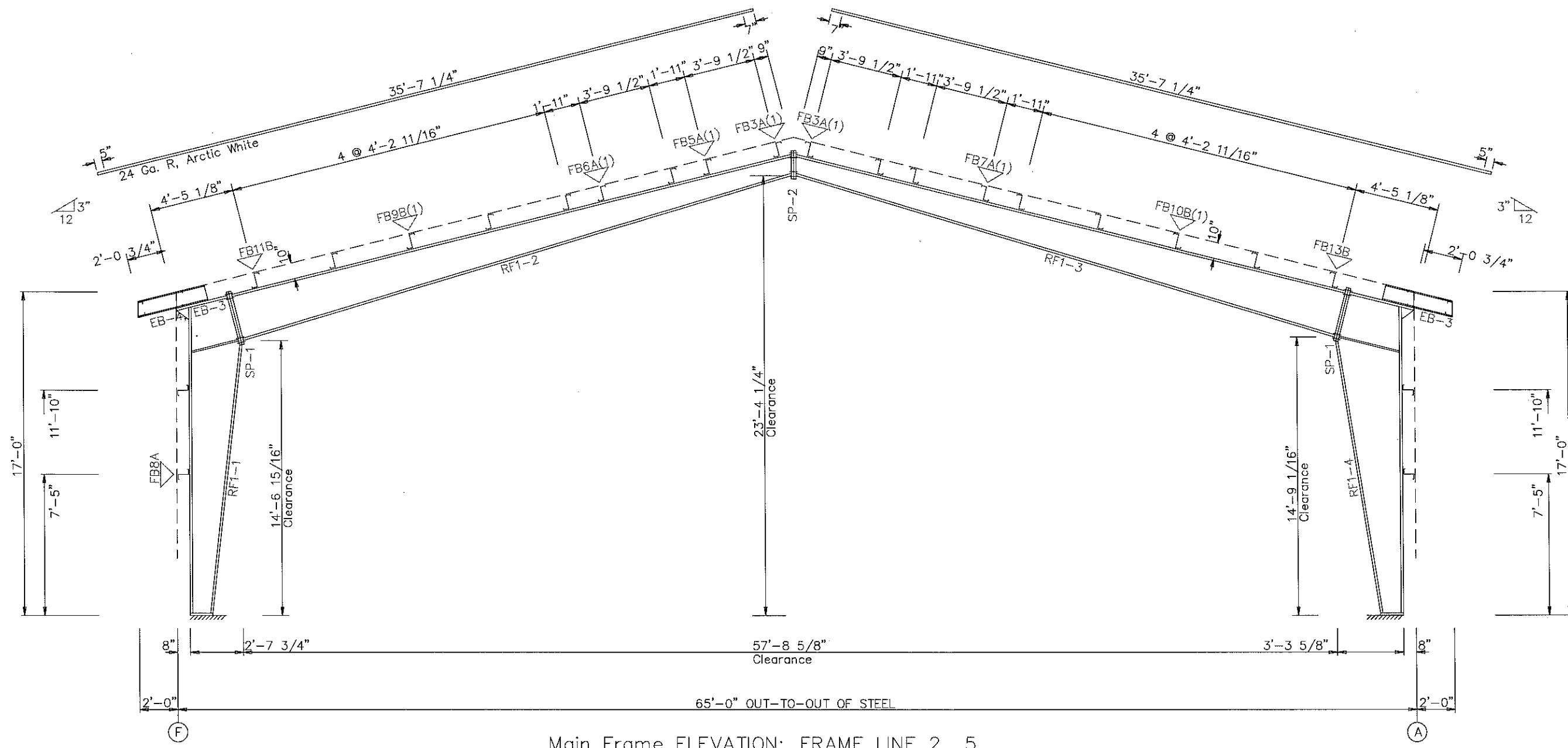


SPLICE BOLT TABLE						
Mark	Qty		Int	Type	Dia	Length
	Top	Bot				
SP-1	4	4	0	A325	1.000	2.75
SP-2	4	4	0	A325	0.500	1.75



MEMBER TABLE								
Mark	Web Depth		Web Plate		Outside Flange		Inside Flange	
	Start/End	Thick	Length	W x Thk x Length	W x Thk x Length	W x Thk x Length	W x Thk x Length	
RF1-1	11.0/31.0	0.250	200.9	6 x 1/4" x 194.9	6 x 1/4" x 32.6	6 x 1/2" x 171.8		
RF1-2	27.0/21.1	0.219	127.3	6 x 1/4" x 247.3	6 x 5/16" x 120.0	6 x 5/8" x 127.4		
	21.1/15.5	0.188	120.0			6 x 5/16" x 120.1		
	15.5/10.0	0.149	120.0			6 x 1/4" x 117.6		
RF1-3	10.0/15.6	0.149	120.0	6 x 3/8" x 120.0	6 x 1/4" x 239.0	6 x 1/4" x 117.6		
	15.6/21.3	0.188	120.0			6 x 5/16" x 120.1		
	21.3/27.0	0.219	119.0			6 x 1/2" x 119.2		
RF1-4	39.0/30.5	0.219	82.9	6 x 1/4" x 40.9	8 x 1/4" x 194.9	8 x 3/8" x 174.9		
	30.5/11.0	0.188	120.0					

▽ FLANGE BRACES: Both Sides(U.N.)  
 FBxxA(1)  
 A - L15X1/8  
 B - L20X3/16



Main Frame ELEVATION: FRAME LINE 2 5

GENERAL NOTES:  
 1. See Detail Sheets for Connection Information.  
 2. See Shipping List for Flange Brace Lengths.

**CORLE**  
 114 ROSEMONT LANE, MILLER, PA, 16655 (814)276-9611  
 PHOENIX PROPERTY MANAGEMENT  
 65'-0" x 105'-0" x 17'-0"  
 DATE: 12/6/11 REVISION: 01  
 ENG: JJT DWN: KAH APPD: JJT

F.O. 16838

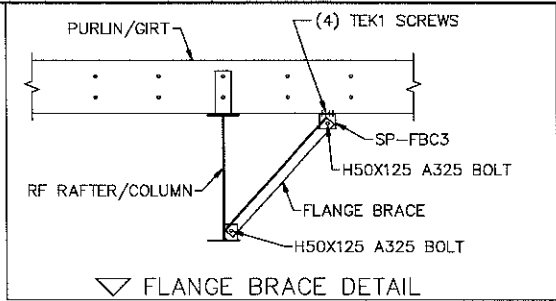
REV.	DATE	DESCRIPTION
01	12/6/11	SEE CO-01

PHOENIX PROPERTY MANAGEMENT  
 DRAWING STATUS  
 FOR APPROVAL: THESE DRAWINGS, BEING FOR APPROVAL, ARE BY DEFINITION NOT FINAL, AND ARE FOR CONCEPTUAL REPRESENTATION ONLY. THEIR PURPOSE IS TO CONFIRM PROPER INTERPRETATION OF THE PROJECT DOCUMENTS. ONLY DRAWINGS ISSUED "FOR CONSTRUCTION" CAN BE CONSIDERED AS COMPLETE.  
 FOR PERMIT: THESE DRAWINGS, BEING FOR PERMIT, ARE BY DEFINITION NOT FINAL. ONLY DRAWINGS ISSUED "FOR CONSTRUCTION" CAN BE CONSIDERED AS COMPLETE.  
 FOR CONSTRUCTION: THESE DRAWINGS, BEING FOR PERMIT, ARE BY DEFINITION NOT FINAL. ONLY DRAWINGS ISSUED "FOR CONSTRUCTION" CAN BE CONSIDERED AS COMPLETE.

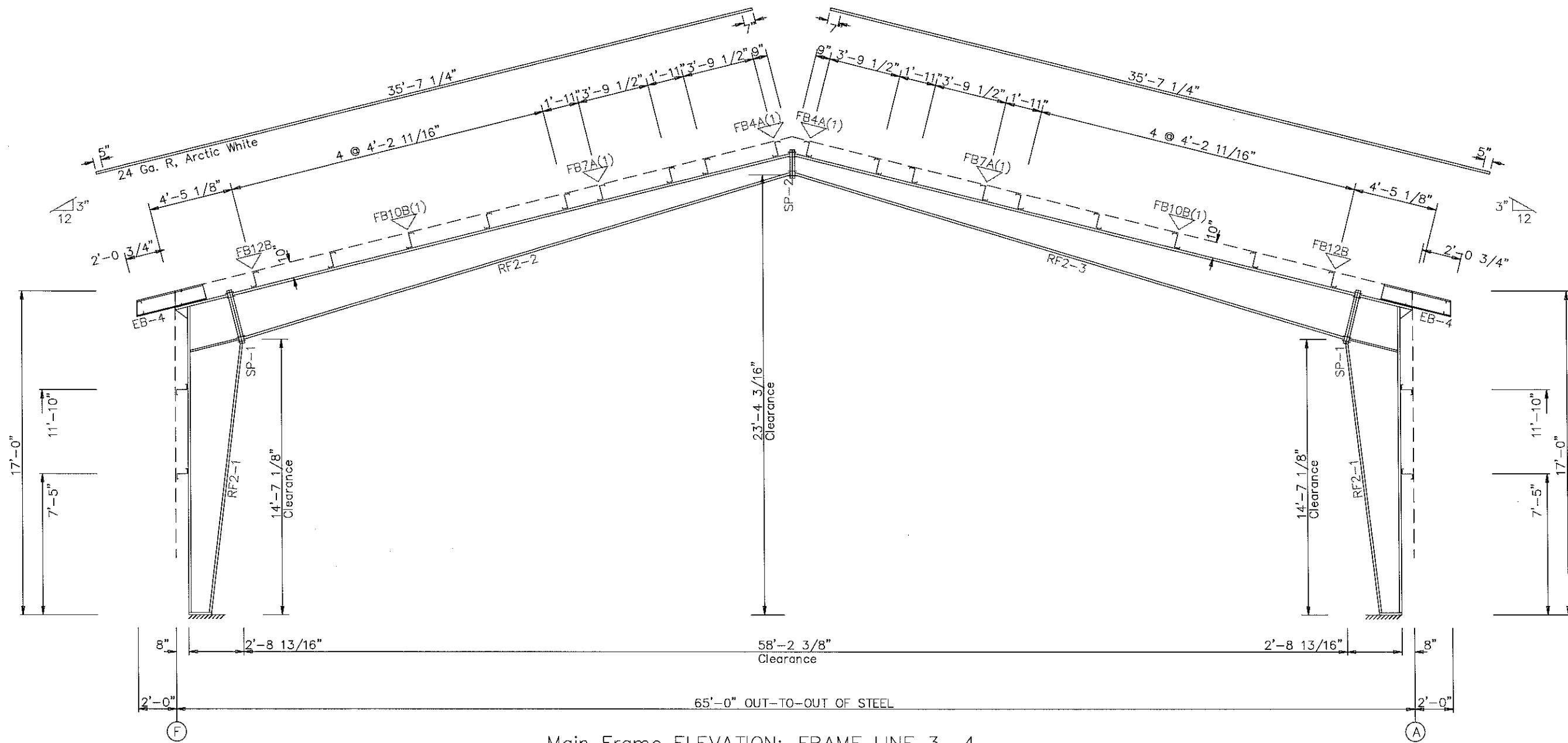
T. JAMES EISENMAN JR.  
 No. 9637  
 LICENSED PROFESSIONAL ENGINEER  
 DEC 07 2011

SPLICE BOLT TABLE						
Mark	Qty		Int	Type	Dia	Length
	Top	Bot				
SP-1	4	4	0	A325	1.000	3.25
SP-2	4	4	0	A325	0.500	1.75

▽ FLANGE BRACES: Both Sides(U.N.)  
 FBxxB(1)  
 B - L20X3/16  
 A - L15X1/8

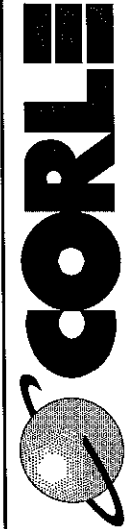


MEMBER TABLE								
Mark	Web Depth		Web Thick	Plate Length	Outside Flange		Inside Flange	
	Start	End			W x Thk x Length	W x Thk x Length		
RF2-1	11.0	32.0	0.250	201.1	8 x 5/16" x 194.9	8 x 1/2" x 172.0		
RF2-2	27.0	21.1	0.219	125.7	6 x 5/16" x 33.7		6 x 3/4" x 125.9	
	21.1	15.5	0.188	120.0	6 x 5/16" x 245.7		6 x 5/16" x 120.1	
	15.5	10.0	0.149	120.0	6 x 1/2" x 120.0		6 x 1/4" x 117.6	
RF2-3	10.0	15.5	0.149	120.0		6 x 1/2" x 120.0	6 x 1/4" x 117.6	
	15.5	21.1	0.188	120.0		6 x 5/16" x 245.7	6 x 5/16" x 120.1	
	21.1	27.0	0.219	125.7			6 x 3/4" x 125.9	



Main Frame ELEVATION: FRAME LINE 3 4

- GENERAL NOTES:
- See Detail Sheets for Connection Information.
  - See Shipping List for Flange Brace Lengths.



114 ROSEMONT LANE, MILLER, PA 16655 (814)276-9811

PHOENIX PROPERTY MANAGEMENT

65'-0" x 105'-0" x 17'-0"

DATE: 12/6/11

ENG: JJT

DWN: KAH

APPD: JJT

F.O. 16838

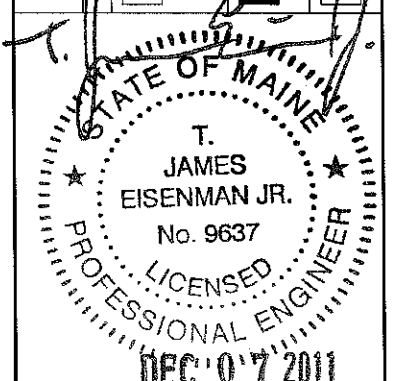
PHOENIX PROPERTY MANAGEMENT

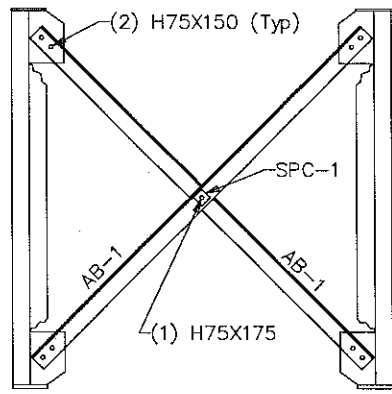
REV.	DESCRIPTION	DATE
01	SEE C001	12/8/11

FOR APPROVAL: THESE DRAWINGS, BEING FOR APPROVAL, ARE BY DEFINITION NOT FINAL AND ARE FOR CONCEPTUAL REPRESENTATION ONLY. THEIR PURPOSE IS TO CONFIRM PROPER INTERPRETATION OF THE PROJECT DOCUMENTS. ONLY DRAWINGS ISSUED FOR CONSTRUCTION CAN BE CONSIDERED AS COMPLETE.

FOR PERMIT: THESE DRAWINGS, BEING FOR PERMIT, ARE BY DEFINITION NOT FINAL. ONLY DRAWINGS ISSUED FOR CONSTRUCTION CAN BE CONSIDERED AS COMPLETE.

FOR CONSTRUCTION: THESE DRAWINGS, BEING FOR CONSTRUCTION, CAN BE CONSIDERED AS COMPLETE.

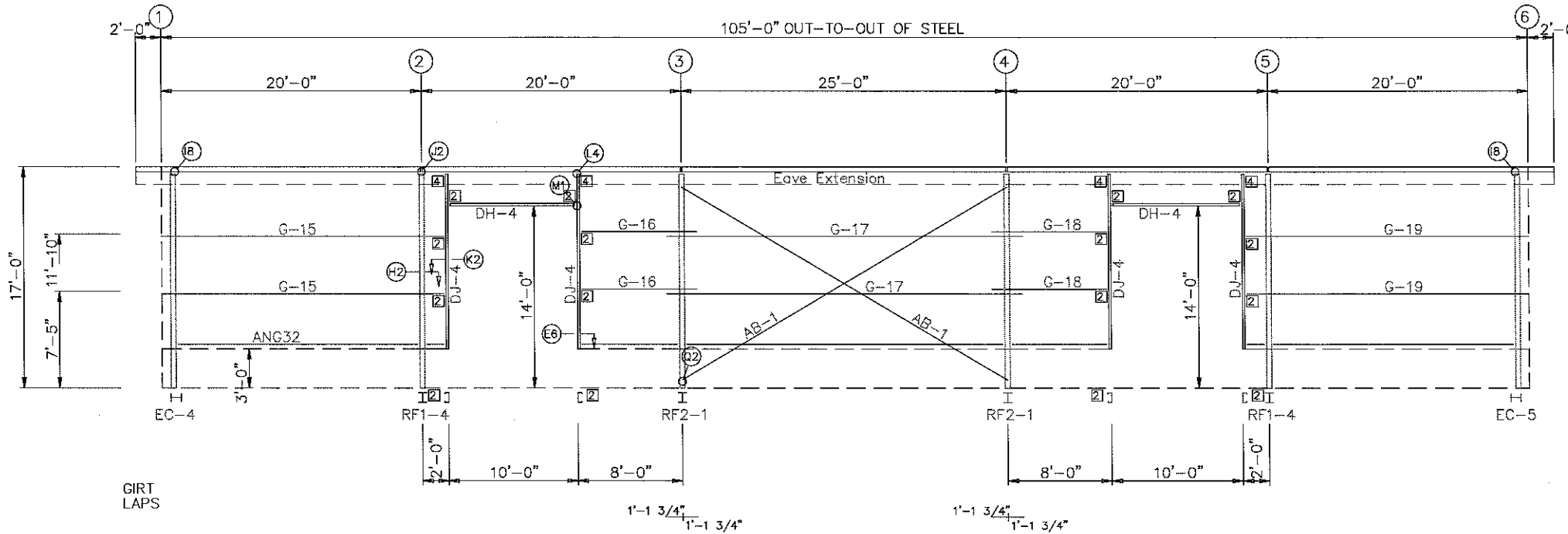




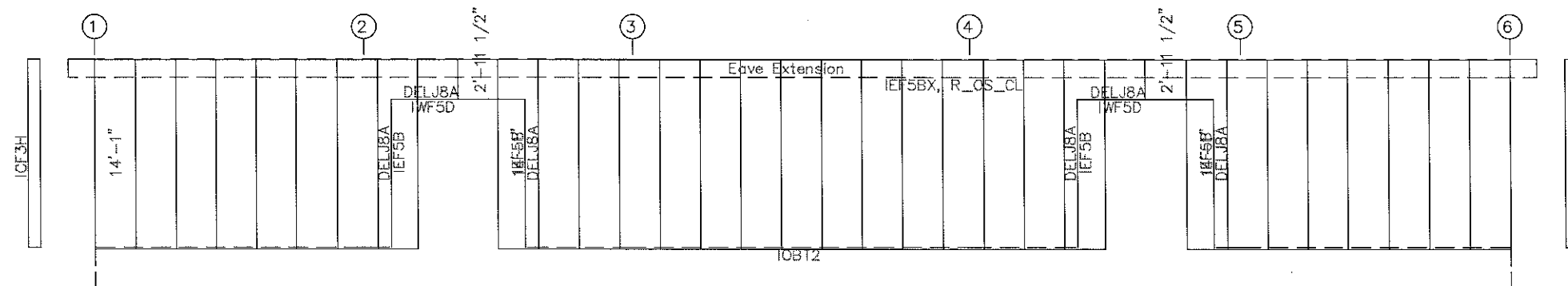
ANGLE BRACE DETAIL

MEMBER TABLE FRAME LINE A			
QUAN	MARK	PART	LENGTH
4	DJ-4	8X35C16	13'-1"
2	DH-4	8X35C16	10'-0"
2	G-15	8X25Z16	21'-8"
2	G-16	8X25Z16	8'-10"
2	G-17	8X25Z16	27'-3 1/2"
2	G-18	8X25Z16	8'-10"
2	G-19	8X25Z16	21'-8"
2	CB-1	CABLE500	26'-8 1/16"

CONNECTION PLATES FRAME LINE A			
ID	QUAN	MARK/PART	
	2	16	JC8
	4	4	JC



SIDEWALL FRAMING: FRAME LINE A



SIDEWALL SHEETING & TRIM: FRAME LINE A  
PANELS: 26 Ga. R - Harbor Blue

TRIM COLORS	
EAVE TRIM	= Arctic White
BASE TRIM	= Arctic White
DOOR TRIM	= Arctic White
CORNER TRIM	= Arctic White
GUTTER	=
DOWNSPOUTS	=
*SOFFIT TRIM	= SOFFIT PANEL COLOR
* WHERE APPLICABLE	

**CORLE**  
114 ROSEMONT LANE, MILLER, PA 16655 (814)276-9611  
PHOENIX PROPERTY MANAGEMENT  
65'-0" x 105'-0" x 17'-0"  
DATE: 12/6/11  
ENG: JJT  
DWN: KAH  
APPD: JJT

F.O. 16838

**PHOENIX PROPERTY MANAGEMENT**

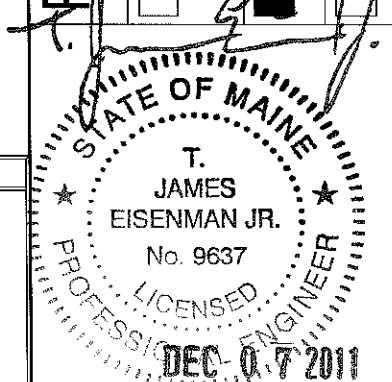
REV.	DESCRIPTION	DATE
01	SEE CO-01	12/6/11

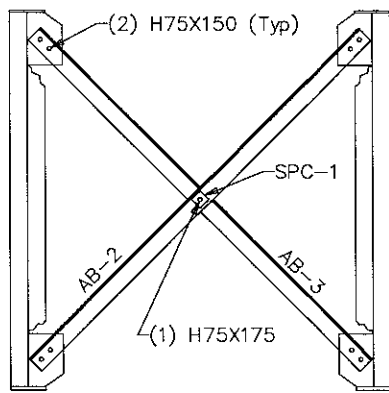
**DRAWING STATUS**

FOR APPROVAL: THESE DRAWINGS, BEING FOR APPROVAL, ARE BY DEFINITION NOT FINAL, AND ARE FOR CONCEPTUAL REPRESENTATION ONLY. THEIR PURPOSE IS TO CONFIRM PROPER INTERPRETATION OF THE PROJECT DOCUMENTS. ONLY DRAWINGS ISSUED FOR CONSTRUCTION CAN BE CONSIDERED AS COMPLETE.

FOR PERMIT: THESE DRAWINGS, BEING FOR PERMIT, ARE BY DEFINITION NOT FINAL. ONLY DRAWINGS ISSUED FOR CONSTRUCTION CAN BE CONSIDERED AS COMPLETE.

FOR CONSTRUCTION: FINAL DRAWINGS.

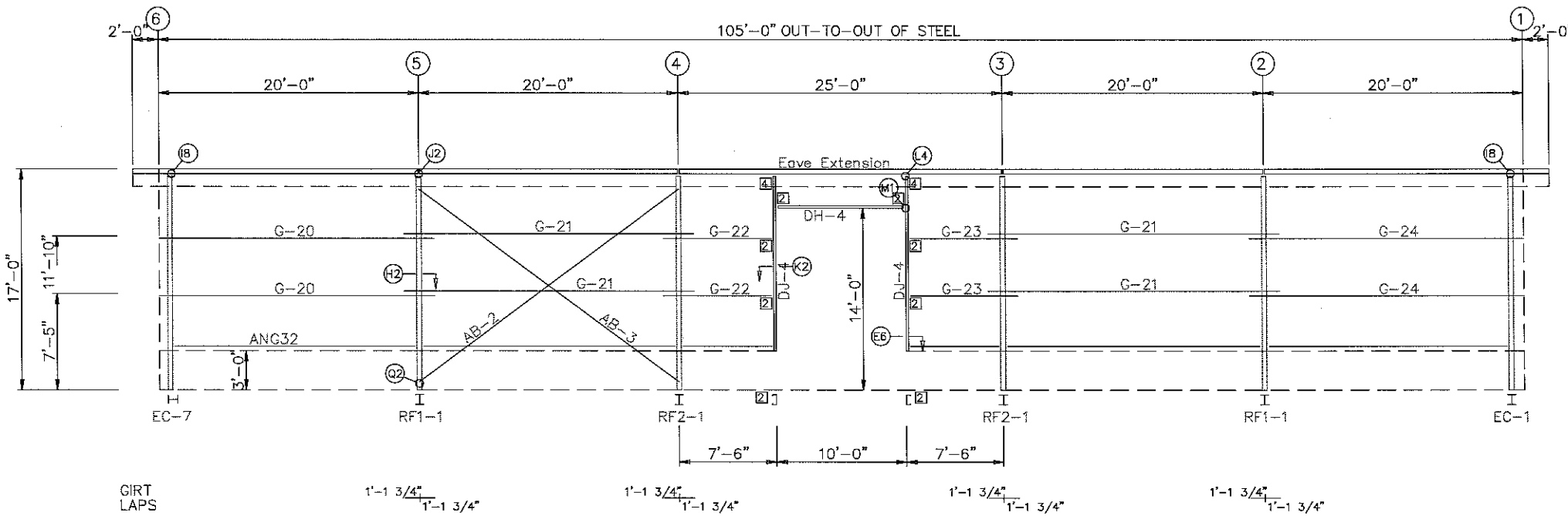




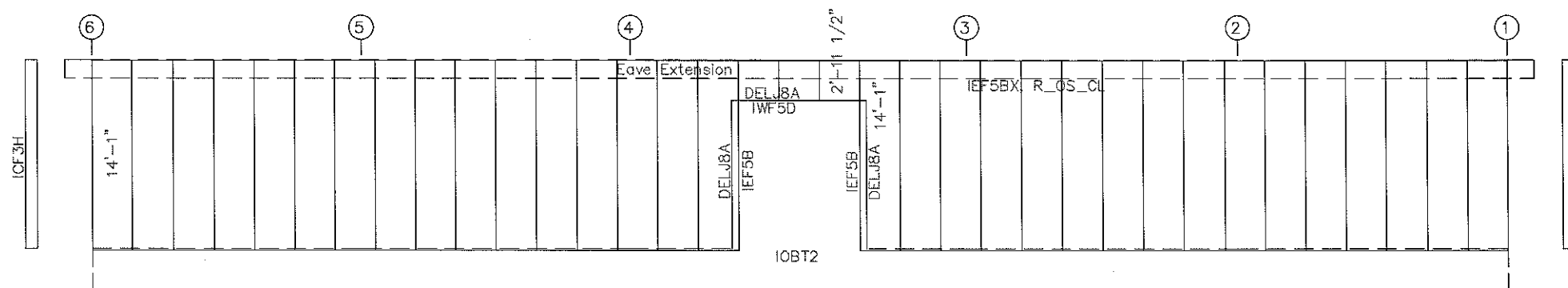
ANGLE BRACE DETAIL

MEMBER TABLE FRAME LINE F			
QUAN	MARK	PART	LENGTH
2	DJ-4	8X35C16	13'-1"
1	DH-4	8X35C16	10'-0"
2	G-20	8X25Z16	21'-1 1/2"
4	G-21	8X25Z16	22'-3 1/2"
2	G-22	8X25Z16	8'-4"
2	G-23	8X25Z16	8'-4"
2	G-24	8X25Z16	21'-1 1/2"
2	CB-2	CABLE500	22'-6 1/16"

CONNECTION PLATES FRAME LINE F			
ID	QUAN	MARK/PART	
	2	8	JC8
	4	2	JC

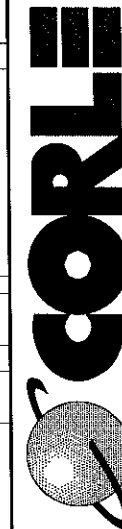


SIDEWALL FRAMING: FRAME LINE F



SIDEWALL SHEETING & TRIM: FRAME LINE F  
PANELS: 26 Ga. R - Harbor Blue

TRIM COLORS	
EAVE TRIM	= Arctic White
BASE TRIM	= Arctic White
DOOR TRIM	= Arctic White
CORNER TRIM	= Arctic White
GUTTER	=
DOWNSPOUTS	=
*SOFFIT TRIM	= SOFFIT PANEL COLOR
* WHERE APPLICABLE	



114 ROSEMONT LANE, MILLER, PA 16655 (814)276-9611

PHOENIX PROPERTY MANAGEMENT

65'-0" x 105'-0" x 17'-0"

DATE: 12/6/11 REVISION: 01

ENG: JJT

DWN: KAH APPD: JJT

F.O. 16838

PHOENIX PROPERTY MANAGEMENT

REVISION HISTORY

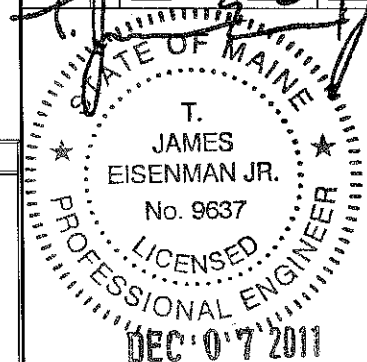
REV.	DESCRIPTION	DATE
01	SEE CO-91	12/6/11

DRAWING STATUS

FOR APPROVAL: THESE DRAWINGS, BEING FOR APPROVAL, ARE BY DEFINITION NOT FINAL, AND ARE FOR CONCEPTUAL REPRESENTATION ONLY. THEIR PURPOSE IS TO CONFIRM PROPER INTERPRETATION OF THE PROJECT DOCUMENTS. ONLY DRAWINGS ISSUED "FOR CONSTRUCTION" CAN BE CONSIDERED AS COMPLETE.

FOR PERMIT: THESE DRAWINGS, BEING FOR PERMIT, ARE BY DEFINITION NOT FINAL. ONLY DRAWINGS ISSUED "FOR CONSTRUCTION" CAN BE CONSIDERED AS COMPLETE.

FOR CONSTRUCTION: THESE DRAWINGS, BEING FOR CONSTRUCTION, ARE BY DEFINITION FINAL DRAWINGS.

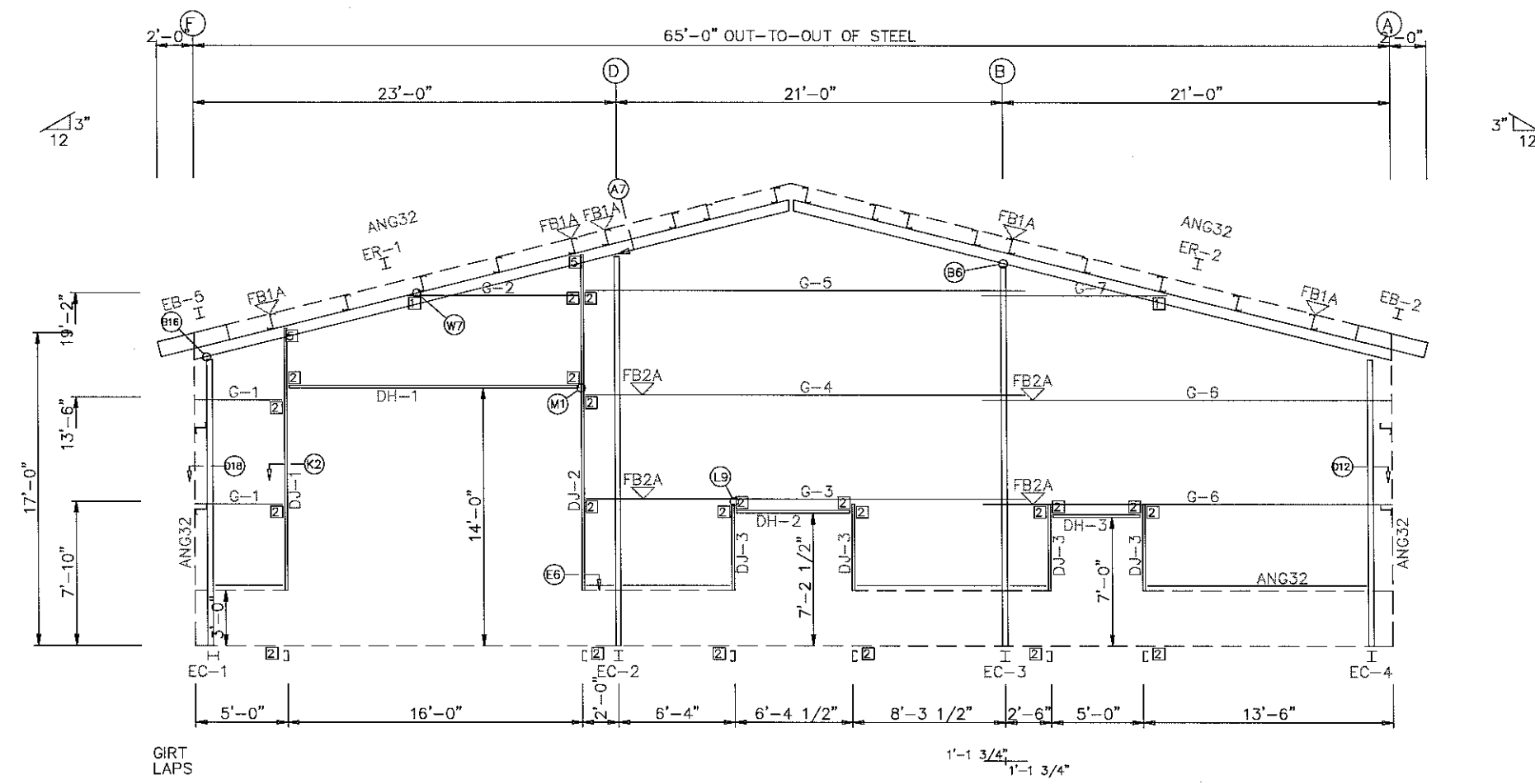
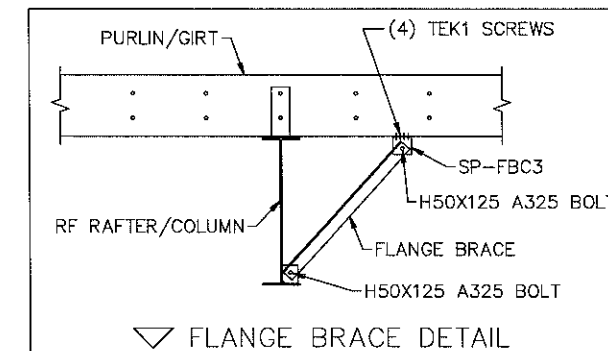


BOLT TABLE				
FRAME LINE 1				
LOCATION	QUAN	TYPE	DIA	LENGTH
ER-1/ER-2	8	A325	1/2"	1 1/2"
EC-1/ER-1	4	A325	1/2"	1 1/4"
Int_Column/Raf	2	A325	3/4"	1 3/4"
EC-4/ER-2	2	A325	3/4"	1 3/4"
Jamb	4	A325	1/2"	1 1/4"

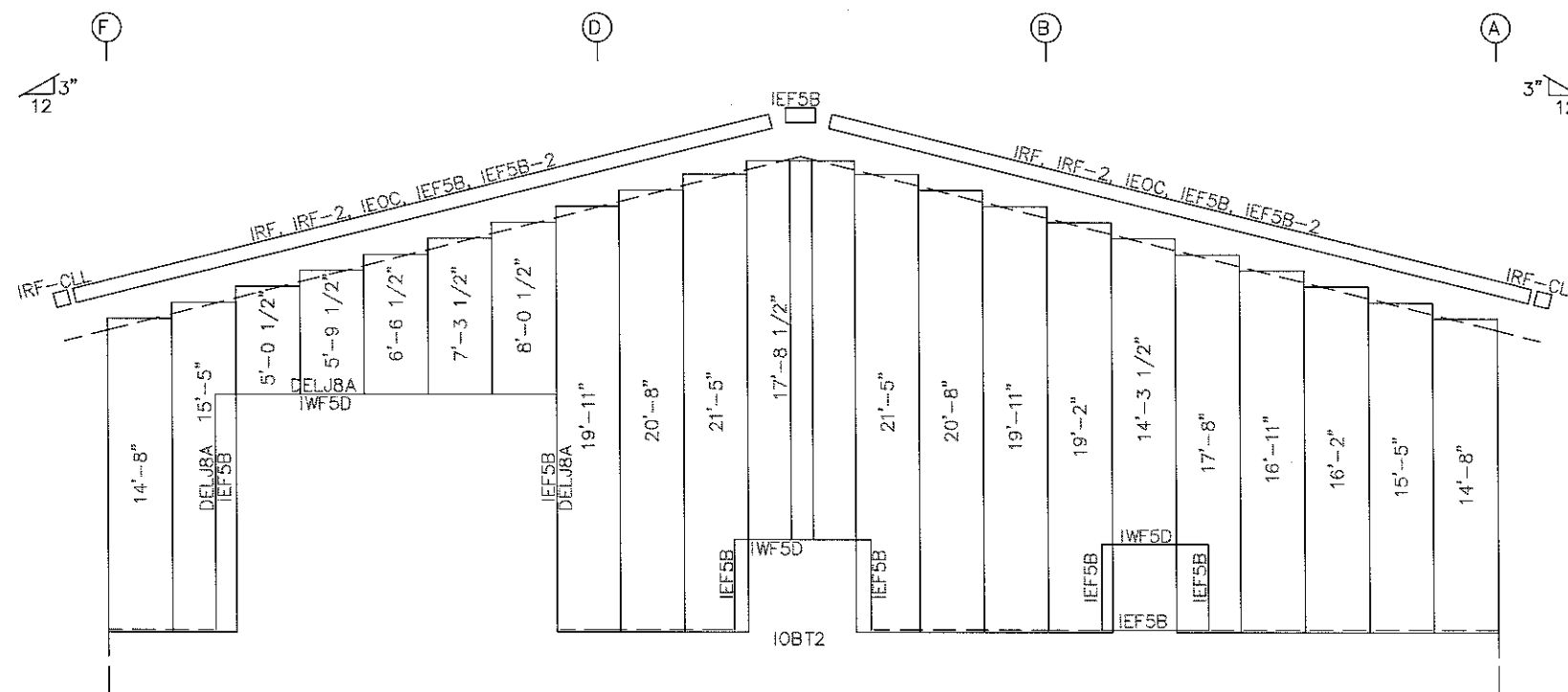
MEMBER TABLE			
FRAME LINE 1			
QUAN	MARK	PART	LENGTH
1	EB-2	W10X12	3'-3 1/4"
1	EB-5	W10X12	3'-3 1/4"
1	EC-1	W10X12	15'-9 3/4"
1	EC-2	W10X12	21'-1 9/16"
1	EC-3	W10X12	20'-7 9/16"
1	EC-4	W10X12	15'-8 1/16"
1	ER-1	W8X18	33'-6"
1	ER-2	W8X18	33'-6"
1	DJ-1	8X35C16	14'-2 5/16"
1	DJ-2	8X35C13	18'-1 9/16"
4	DJ-3	8X35C16	4'-9 3/4"
1	DH-1	8X35C16	16'-0"
1	DH-2	8X35C16	6'-4 1/2"
1	DH-3	8X35C16	5'-0"
2	G-1	8X25Z16	4'-8"
1	G-2	8X25Z16	8'-10 1/2"
1	G-3	8X25Z13	23'-10"
1	G-4	8X25Z14	23'-10"
1	G-5	8X25Z16	23'-10"
2	G-6	8X25Z14	22'-1 1/2"
1	G-7	8X25Z16	10'-0 1/2"

CONNECTION PLATES		
FRAME LINE 1		
ID	QUAN	MARK/PART
1	2	GR08N03
2	22	JC8
5	2	EJB0804

FLANGE BRACE TABLE		
FRAME LINE 1		
VID	MARK	LENGTH
1	FB1A	1'-3 1/2"
2	FB2A	1'-4"



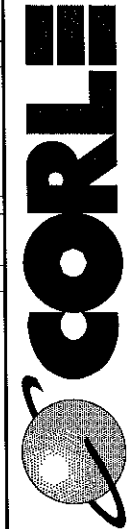
ENDWALL FRAMING: FRAME LINE 1



ENDWALL SHEETING & TRIM: FRAME LINE 1

PANELS: 26 Ga. R - Harbor Blue

TRIM COLORS	
RAKE TRIM	= Arctic White
BASE TRIM	= Arctic White
DOOR TRIM	= Arctic White
*SOFFIT TRIM	= SOFFIT PANEL COLOR
* WHERE APPLICABLE	



114 ROSEMONT LANE, MILLER, PA 16655 (814)276-9611

PHOENIX PROPERTY MANAGEMENT

65'-0" x 105'-0" x 17'-0"

DATE: 12/6/11

ENG: JJT DWN: KAH APPD: JJT

REVISION: 01

F.O. 16838

PHOENIX PROPERTY MANAGEMENT

REVISION HISTORY

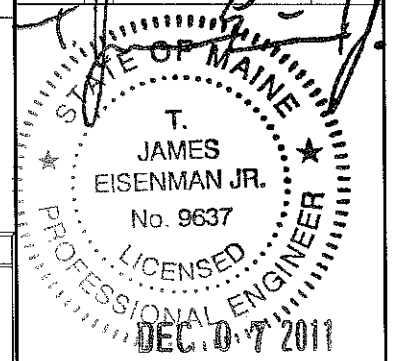
REV	DESCRIPTION	DATE
01 <td>SEE CO-01 <td>12/6/11</td> </td>	SEE CO-01 <td>12/6/11</td>	12/6/11

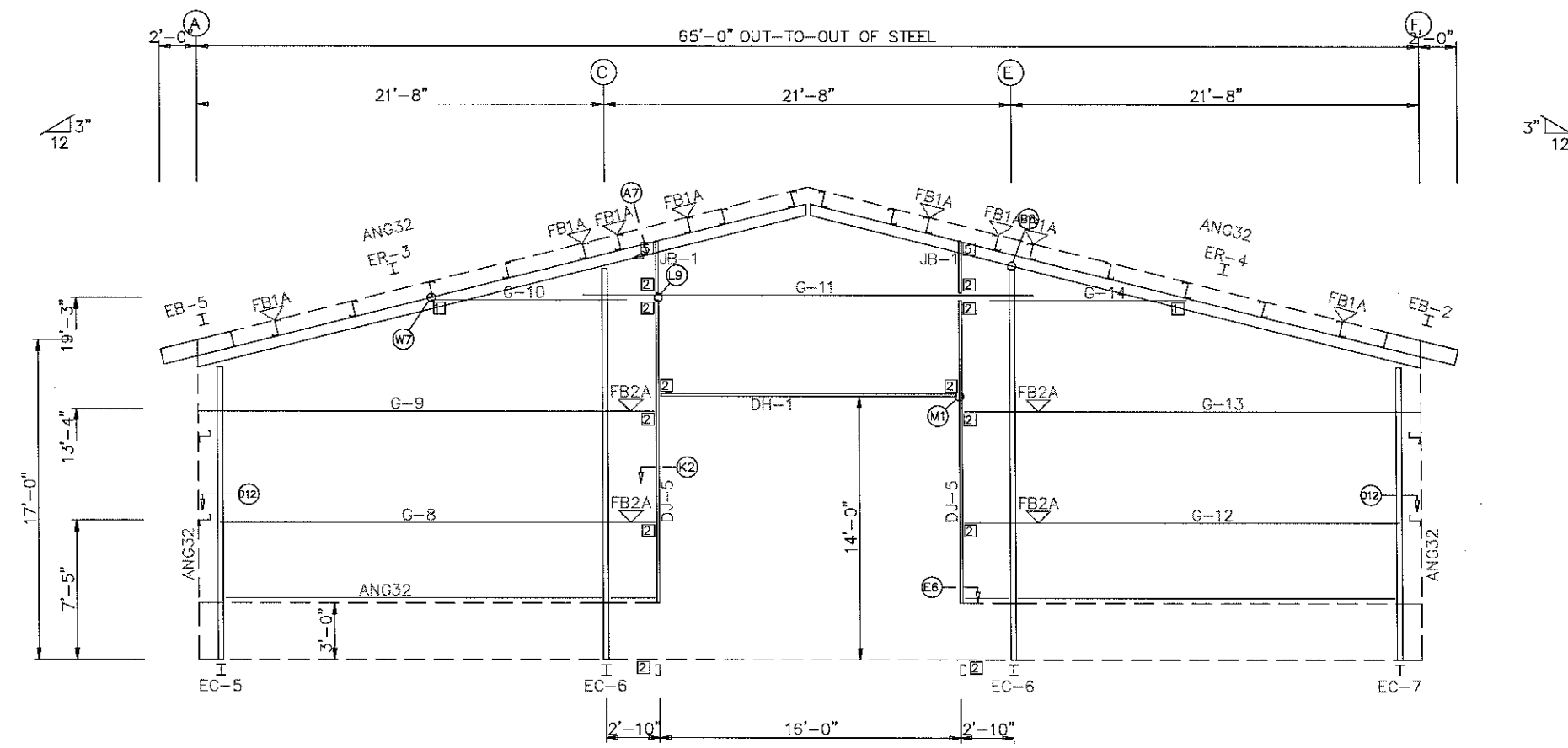
DRAWING STATUS

FOR APPROVAL: THESE DRAWINGS, BEING FOR APPROVAL, ARE BY DEFINITION NOT FINAL, AND ARE FOR CONCEPTUAL REPRESENTATION ONLY. THEIR PURPOSE IS TO CONFIRM PROPER INTERPRETATION OF THE PROJECT DOCUMENTS. ONLY DRAWINGS ISSUED "FOR CONSTRUCTION" CAN BE CONSIDERED AS COMPLETE.

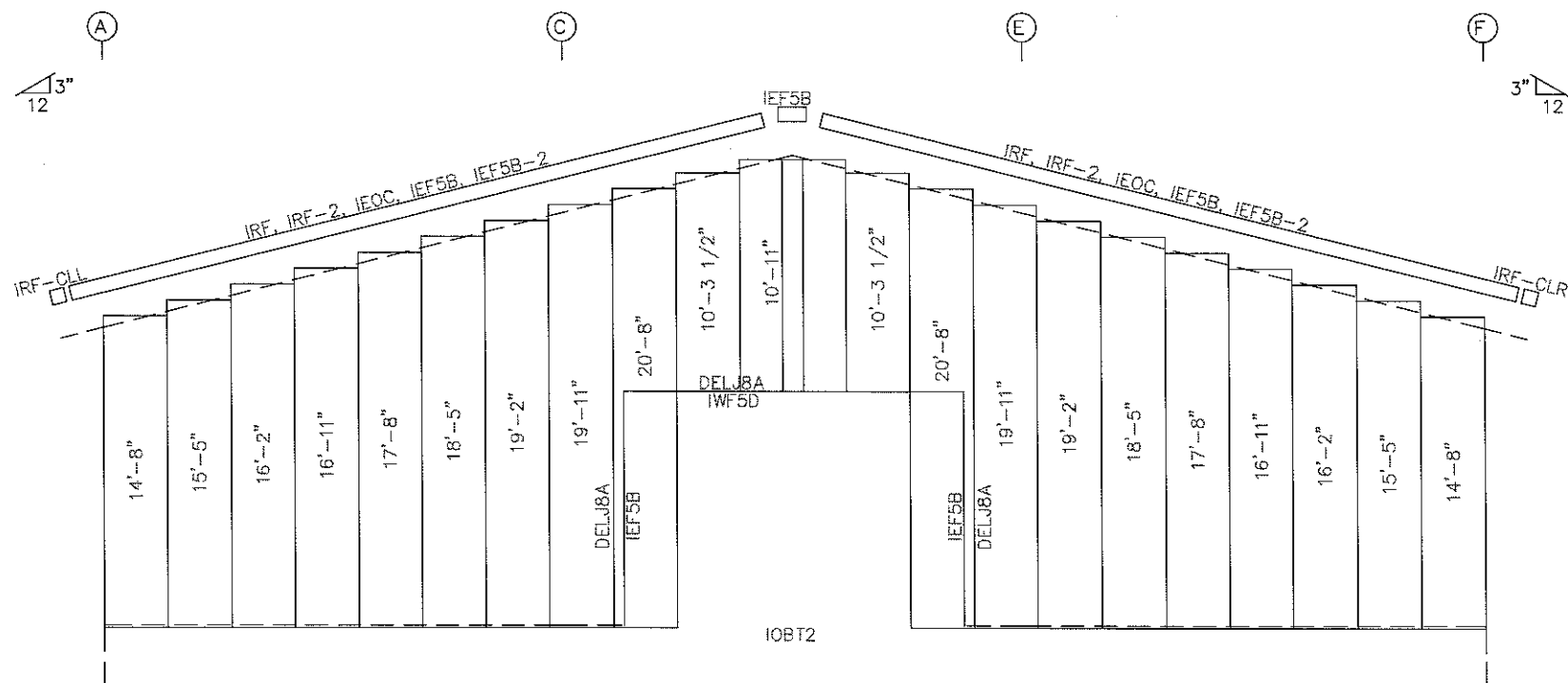
FOR PERMIT: THESE DRAWINGS, BEING FOR PERMIT, ARE BY DEFINITION NOT FINAL. ONLY DRAWINGS ISSUED "FOR CONSTRUCTION" CAN BE CONSIDERED AS COMPLETE.

FOR CONSTRUCTION: FINAL DRAWINGS.





ENDWALL FRAMING: FRAME LINE 6



ENDWALL SHEETING & TRIM: FRAME LINE 6  
PANELS: 26 Ga. R - Harbor Blue

**BOLT TABLE**  
FRAME LINE 6

LOCATION	QUAN	TYPE	DIA	LENGTH
ER-3/ER-4	8	A325	1/2"	1 1/2"
Columns/Raf	2	A325	3/4"	1 3/4"

**MEMBER TABLE**  
FRAME LINE 6

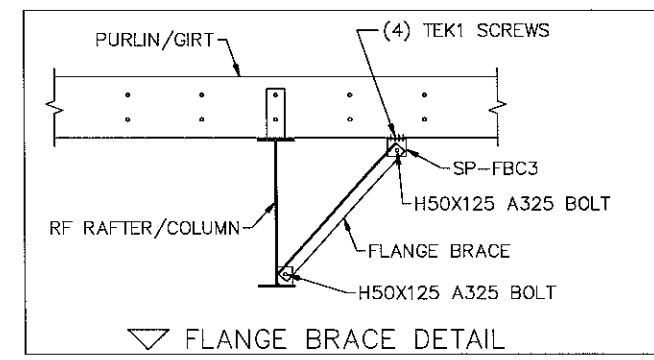
QUAN	MARK	PART	LENGTH
1	EB-2	W10X12	3'-3 1/4"
1	EB-5	W10X12	3'-3 1/4"
2	EC-5	W10X12	15'-8 1/16"
2	EC-6	W10X12	20'-9 9/16"
1	EC-7	W10X12	15'-8 1/16"
1	ER-3	W8X18	33'-6"
1	ER-4	W8X18	33'-6"
2	DJ-5	8X35C14	16'-2 3/4"
2	DH-1	8X35C16	16'-0"
1	JB-1	8X35C16	2'-9 9/16"
1	G-8	8X25Z14	23'-6"
1	G-9	8X25Z13	24'-2"
1	G-10	8X25Z16	10'-4 1/2"
1	G-11	8X25Z16	23'-11 1/2"
1	G-12	8X25Z14	23'-6"
1	G-13	8X25Z13	24'-2"
1	G-14	8X25Z16	10'-4 1/2"

**CONNECTION PLATES**  
FRAME LINE 6

ID	QUAN	MARK/PART
1	2	GR08N03
2	12	JC8
5	2	EJB0804

**FLANGE BRACE TABLE**  
FRAME LINE 6

ID	MARK	LENGTH
1	FB1A	1'-3 1/2"
2	FB2A	1'-4"



**TRIM COLORS**

RAKE TRIM	= Arctic White
BASE TRIM	= Arctic White
DOOR TRIM	= Arctic White
*SOFFIT TRIM	= SOFFIT PANEL COLOR

\* WHERE APPLICABLE

**CORLE**  
114 ROSEMONT LANE, MILLER, PA. 16655 (814)276-9511  
PHOENIX PROPERTY MANAGEMENT  
65'-0" x 105'-0" x 17'-0"

F.O. 16838

**REVISION HISTORY**

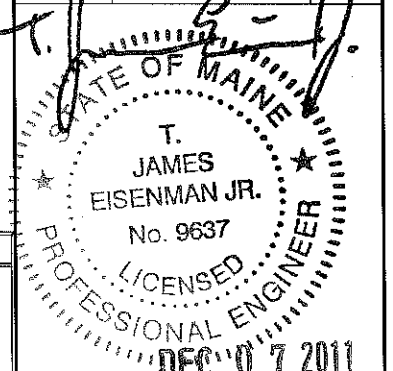
REV	DESCRIPTION	DATE
01	SEE CDD-01	12/8/11

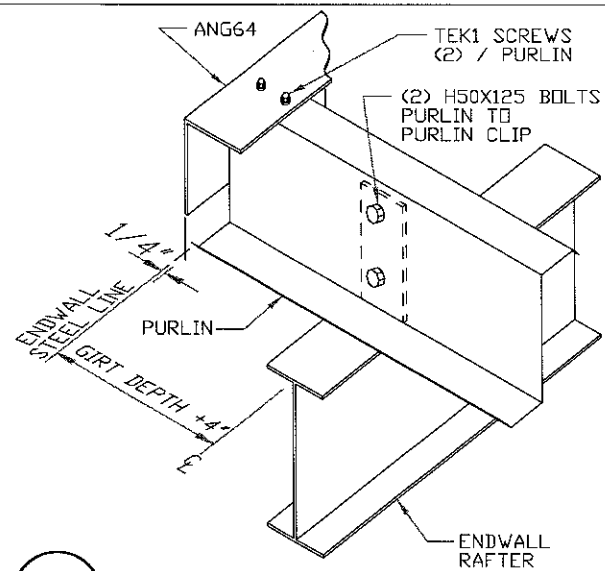
**DRAWING STATUS**

FOR APPROVAL: THESE DRAWINGS, BEING FOR APPROVAL, ARE BY DEFINITION NOT FINAL, AND ARE FOR CONCEPTUAL REPRESENTATION ONLY. THEIR PURPOSE IS TO CONFIRM PROPER INTERPRETATION OF THE PROJECT DOCUMENTS. ONLY DRAWINGS ISSUED "FOR CONSTRUCTION" CAN BE CONSIDERED AS COMPLETE.

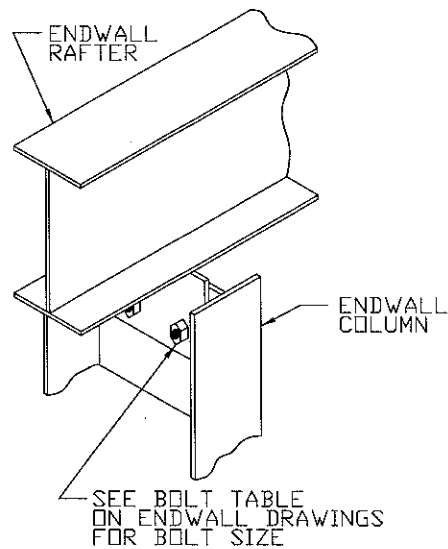
FOR PERMIT: THESE DRAWINGS, BEING FOR PERMIT, ARE BY DEFINITION NOT FINAL. ONLY DRAWINGS ISSUED "FOR CONSTRUCTION" CAN BE CONSIDERED AS COMPLETE.

FOR CONSTRUCTION: THESE DRAWINGS, BEING FOR CONSTRUCTION, ARE BY DEFINITION FINAL DRAWINGS.

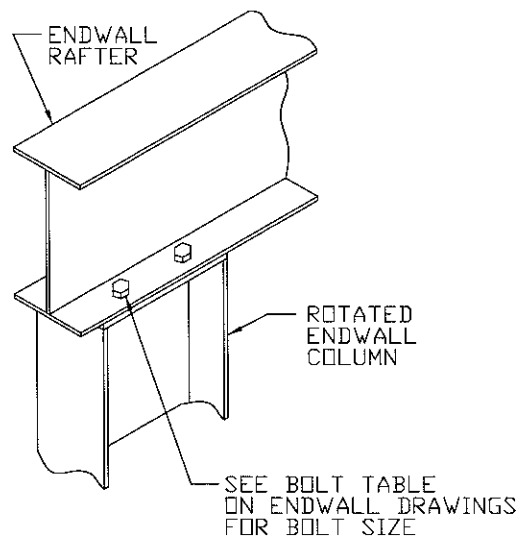




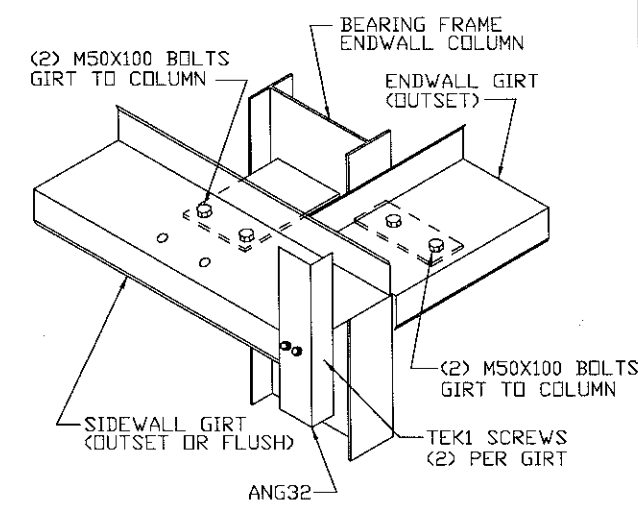
**(A7)** PURLIN TO ENDWALL RAFTER CONNECTION



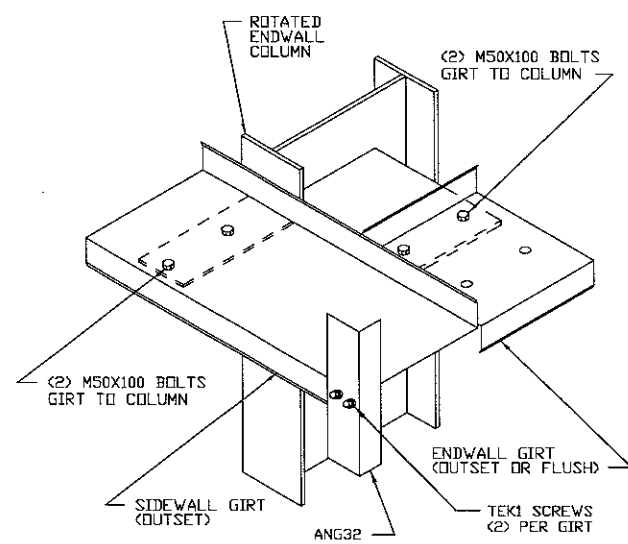
**(B6)** ENDWALL COLUMN TO RAFTER CONNECTION



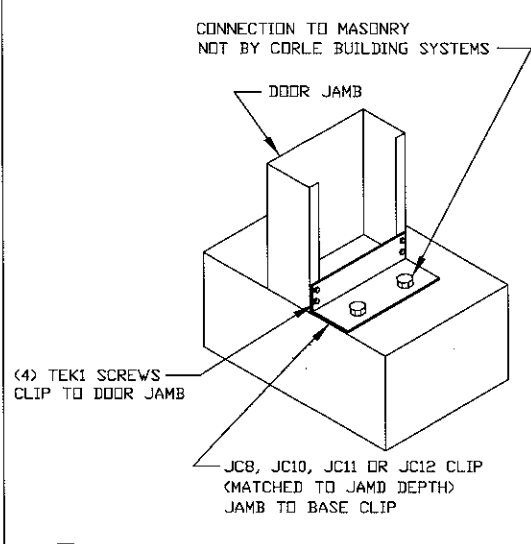
**(B16)** ENDWALL COLUMN TO RAFTER CONNECTION



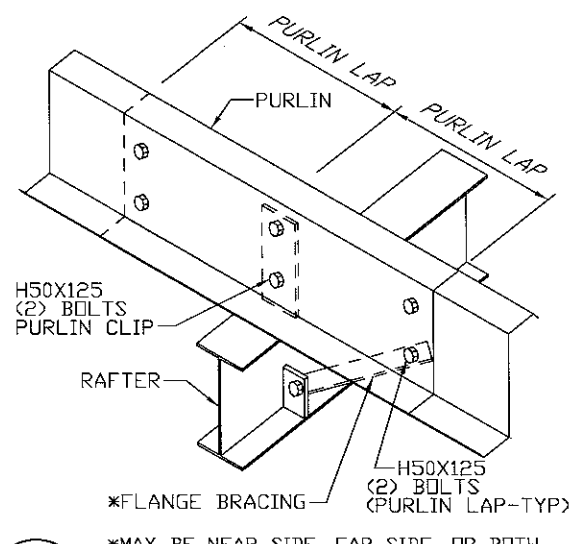
**(D12)** BEARING FRAME CORNER COLUMN TO OUTSET ENDWALL GIRTS



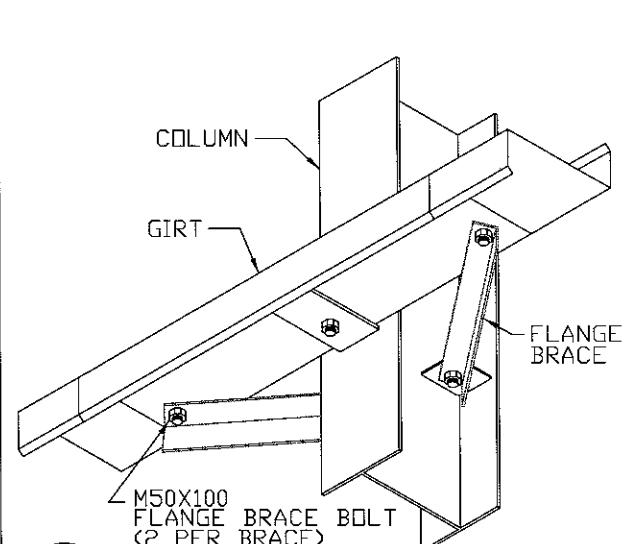
**(D18)** ROTATED ENDWALL COLUMN TO OUTSET SIDEWALL GIRTS



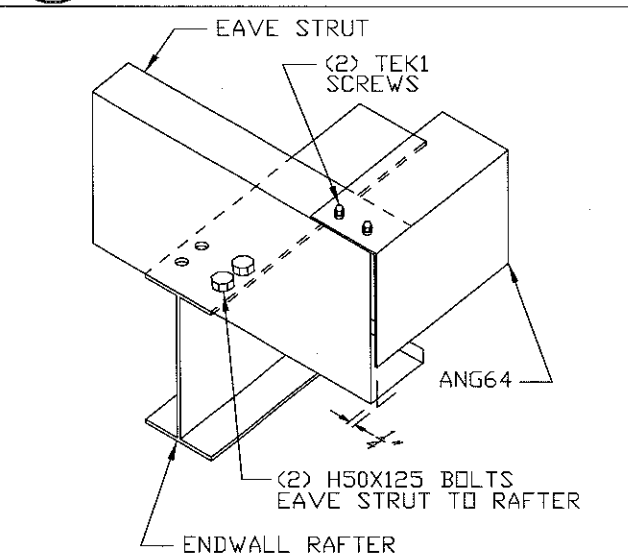
**(E6)** DOOR JAMB TO FOUNDATION



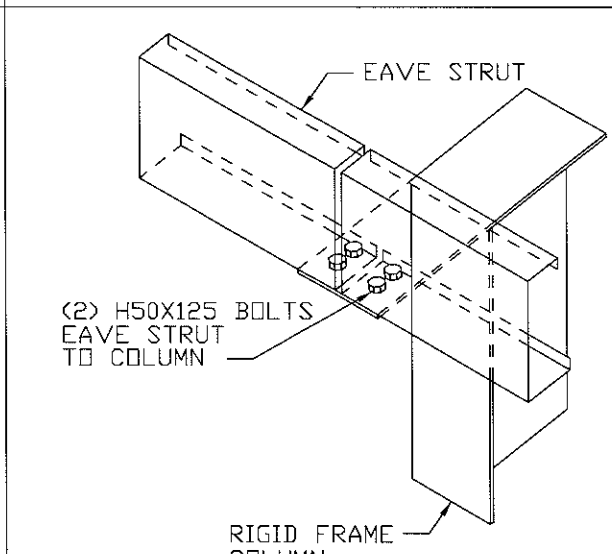
**(G2)** ROOF PURLIN TO INTERIOR FRAME RAFTER



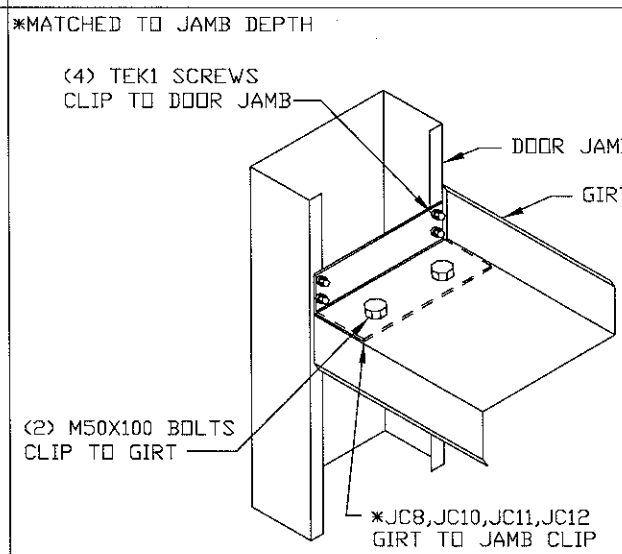
**(H2)** GIRTS TO COLUMN - BYPASS GIRTS



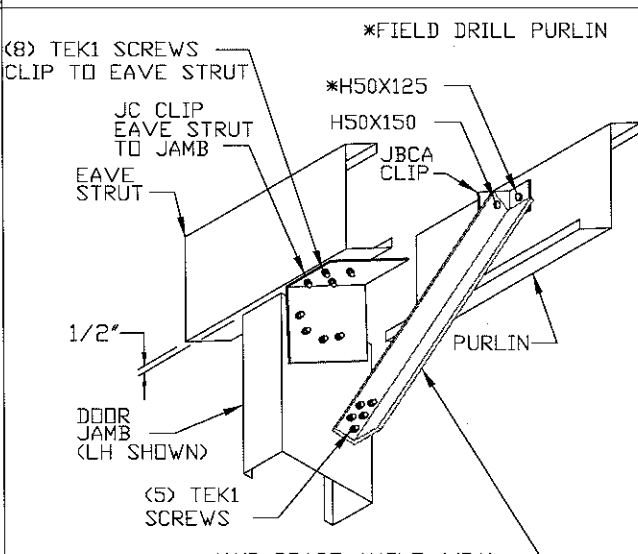
**(I8)** EAVE STRUT TO ENDWALL RAFTER LOW EAVE



**(J2)** EAVE STRUT TO RIGID FRAME BYPASS GIRTS CONDITION



**(K2)** WALL GIRTS TO DOOR JAMB



**(L4)** ANGLE BRACE FROM DOOR JAMB TO FIRST PURLIN



114 ROSEMONT LANE, MILLER, PA 16655 (814)276-9611

PHOENIX PROPERTY MANAGEMENT

65'-0" x 105'-0" x 17'-0"

DATE: 12/6/11  
ENG: JJT  
DWN: KAH  
APPD: JJT

REVISION: 01

F.O. 16838

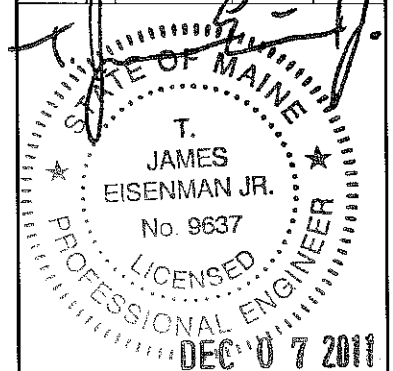
PHOENIX PROPERTY MANAGEMENT

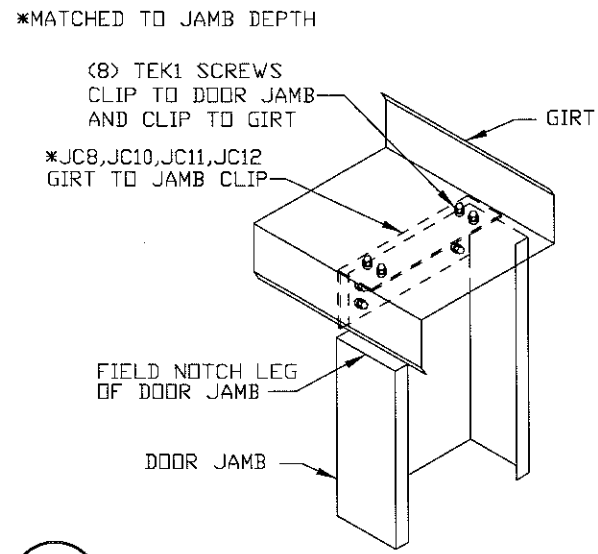
REV.	DATE	DESCRIPTION
01	12/6/11	SEE CO-01

FOR APPROVAL: THESE DRAWINGS, BEING FOR APPROVAL, ARE BY DEFINITION NOT FINAL, AND ARE FOR CONCEPTUAL REPRESENTATION ONLY. THEIR PURPOSE IS TO CONFIRM PROPER INTERPRETATION OF THE PROJECT DOCUMENTS. ONLY DRAWINGS ISSUED "FOR CONSTRUCTION" CAN BE CONSIDERED AS COMPLETE.

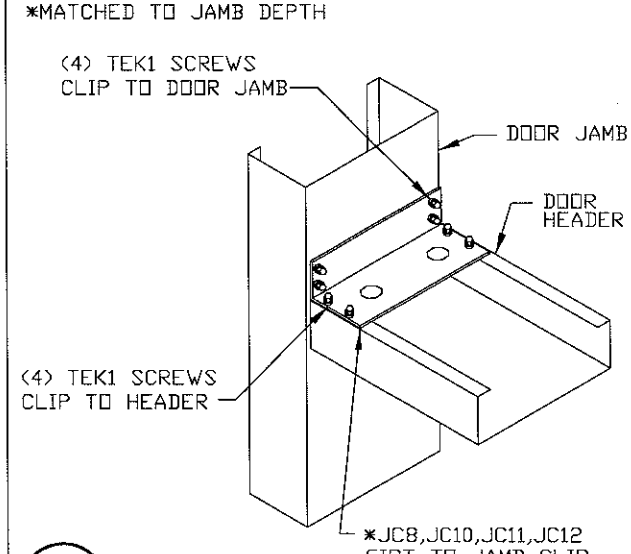
FOR PERMIT: THESE DRAWINGS, BEING FOR PERMIT, ARE BY DEFINITION NOT FINAL. ONLY DRAWINGS ISSUED "FOR CONSTRUCTION" CAN BE CONSIDERED AS COMPLETE.

FOR CONSTRUCTION: THESE DRAWINGS, BEING FOR PERMIT, ARE BY DEFINITION NOT FINAL. ONLY DRAWINGS ISSUED "FOR CONSTRUCTION" CAN BE CONSIDERED AS COMPLETE.

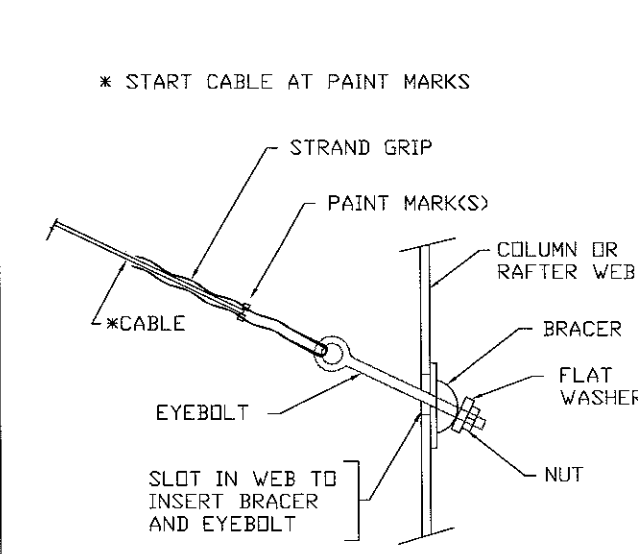




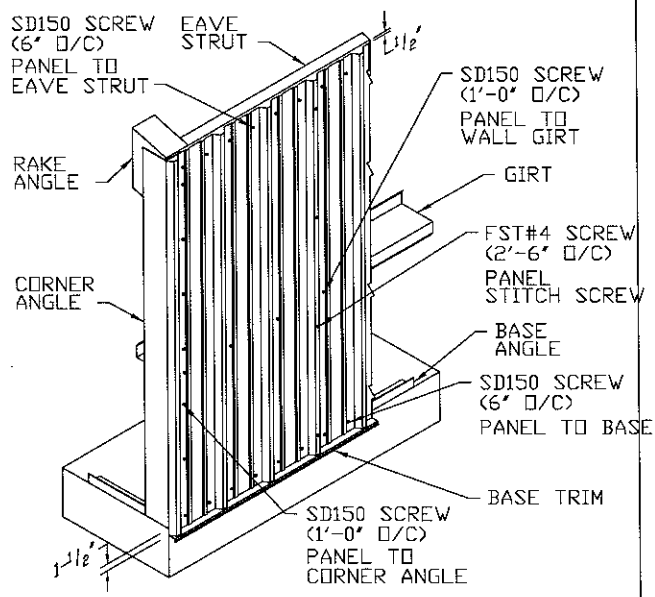
**L9** DOOR JAMB TO WALL GIRT



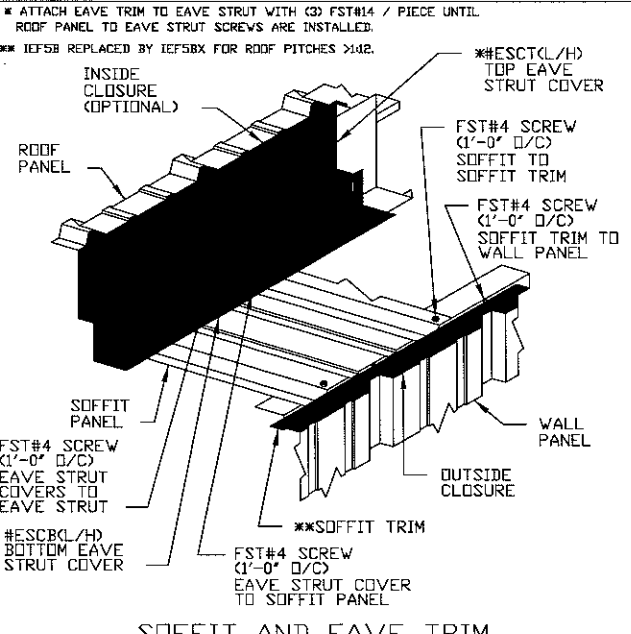
**M1** DOOR HEADER TO DOOR JAMB



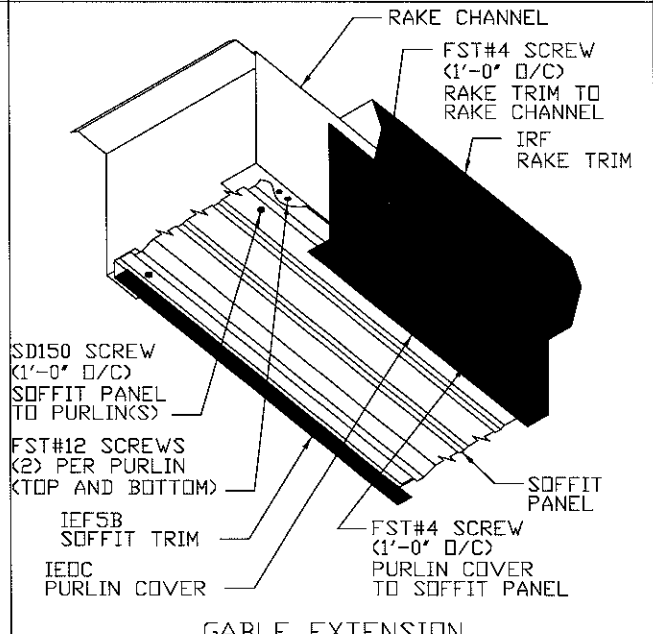
**Q2** CABLE BRACE / EYEBOLT



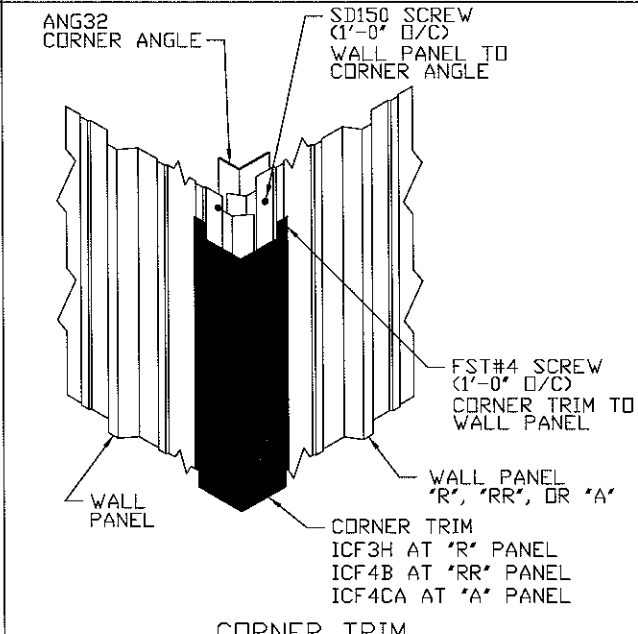
"R" PANEL SIDEWALL



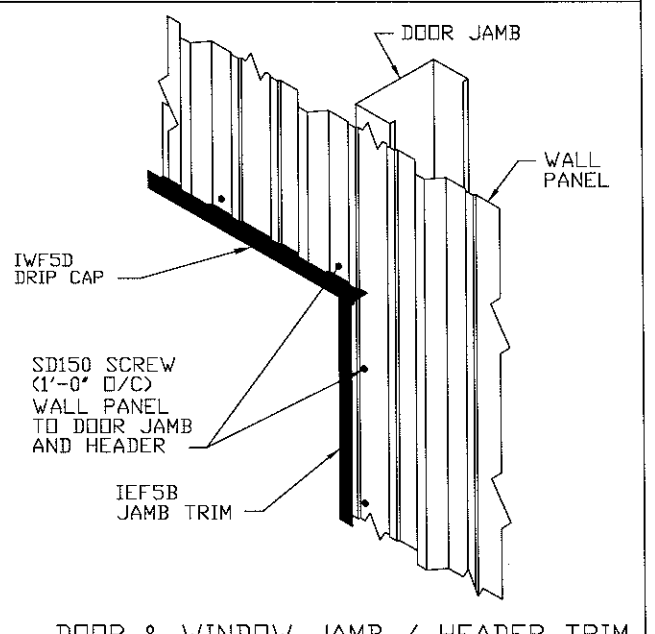
SOFFIT AND EAVE TRIM



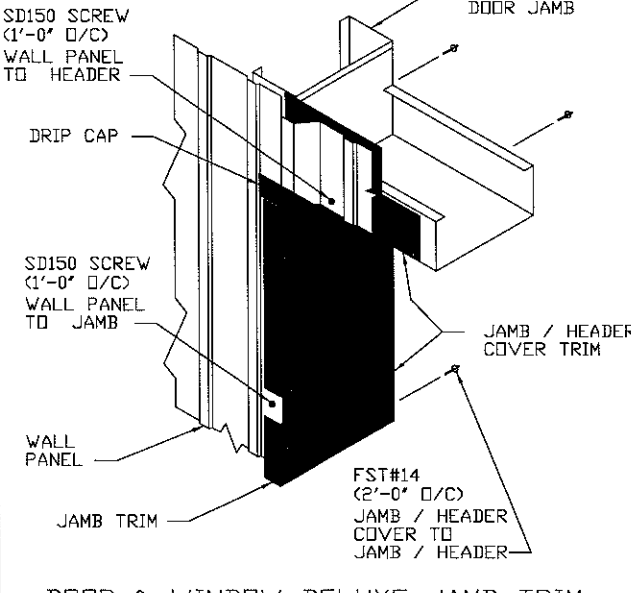
GABLE EXTENSION



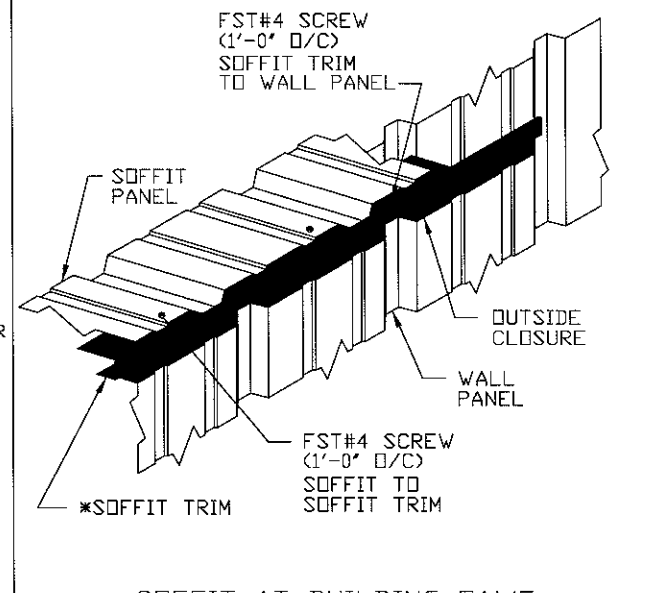
CORNER TRIM



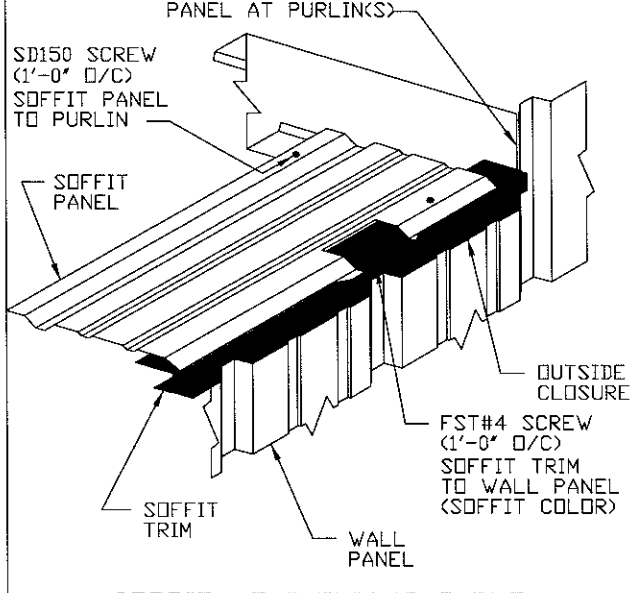
DOOR & WINDOW JAMB / HEADER TRIM



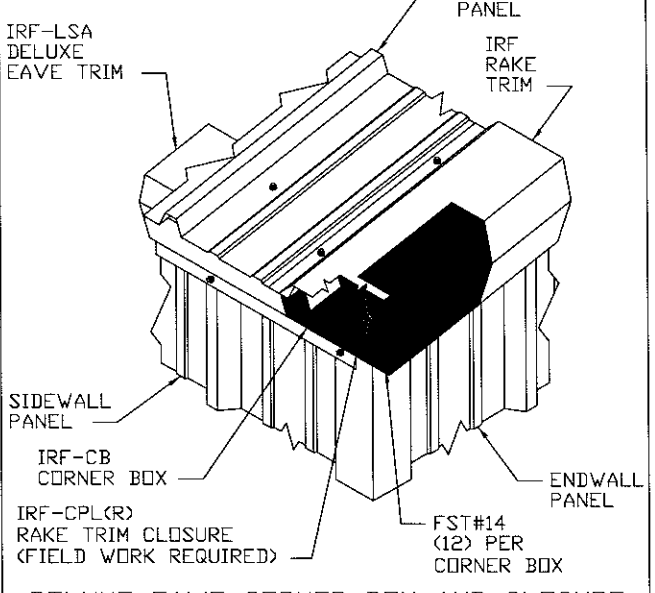
DOOR & WINDOW DELUXE JAMB TRIM



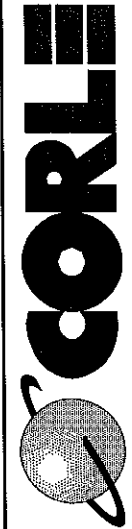
SOFFIT AT BUILDING EAVE



SOFFIT AT BUILDING GABLE



DELUXE EAVE CORNER BOX AND CLOSURE



114 ROSEMONT LANE, MILLER, PA 16655 (814)276-9611

PHOENIX PROPERTY MANAGEMENT

65'-0" x 105'-0" x 17'-0"

DATE: 12/6/11 REVISION: 01

ENG: JJT DWN: KAH APPD: JJT

F.O. 16838

PHOENIX PROPERTY MANAGEMENT

REVISION HISTORY

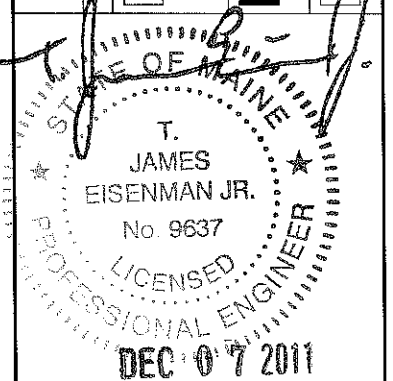
REV.	DESCRIPTION	DATE
01	SEE CD-01	12/6/11

DRAWING STATUS

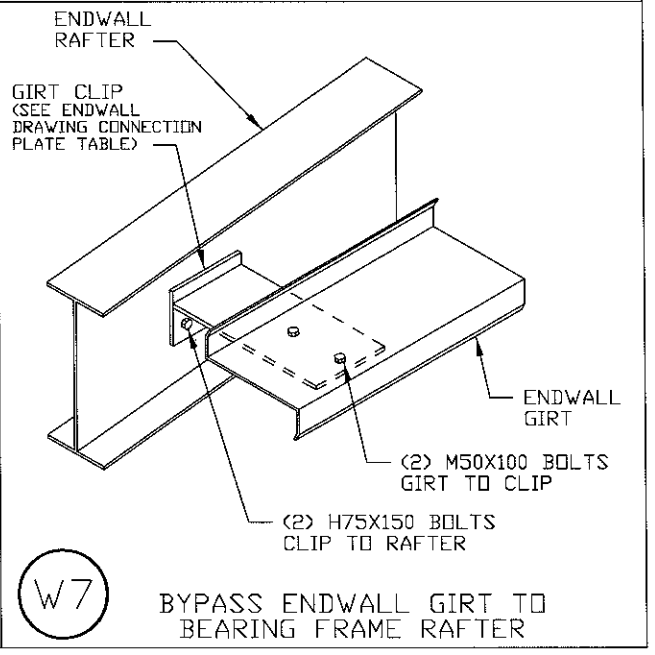
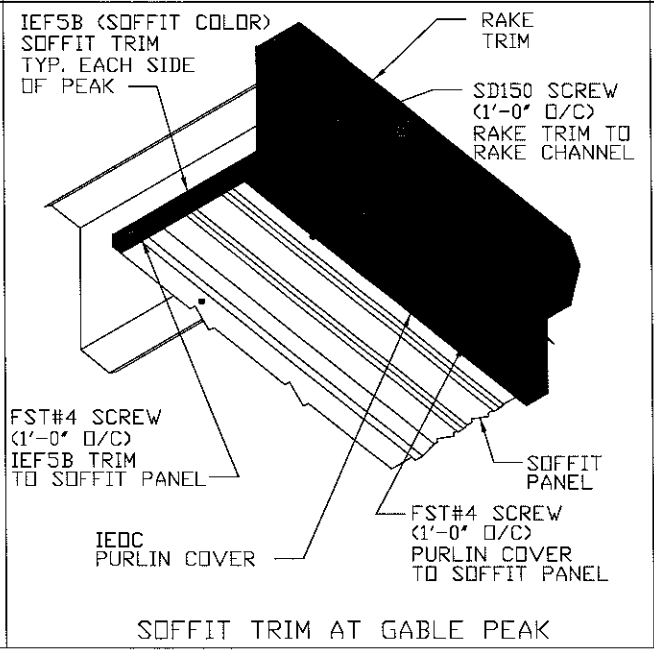
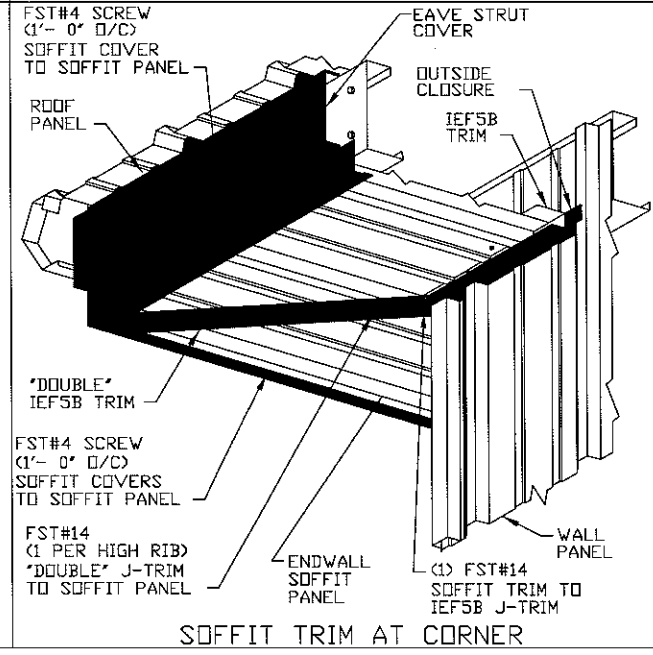
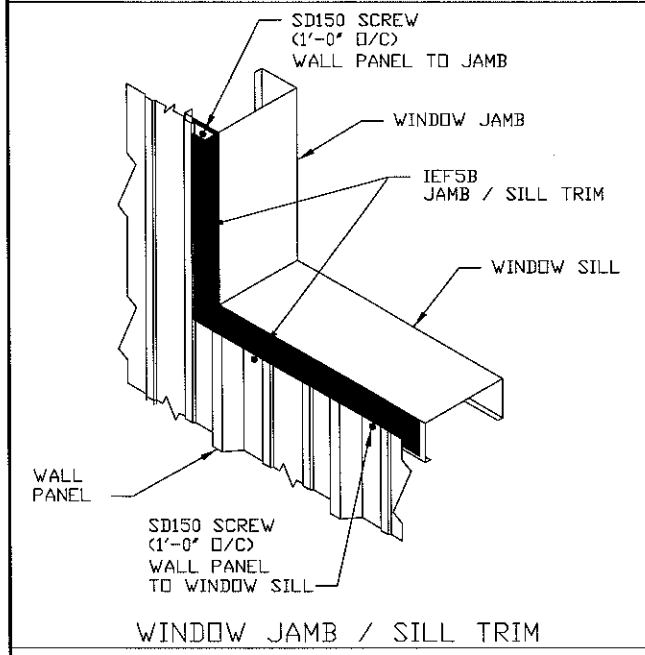
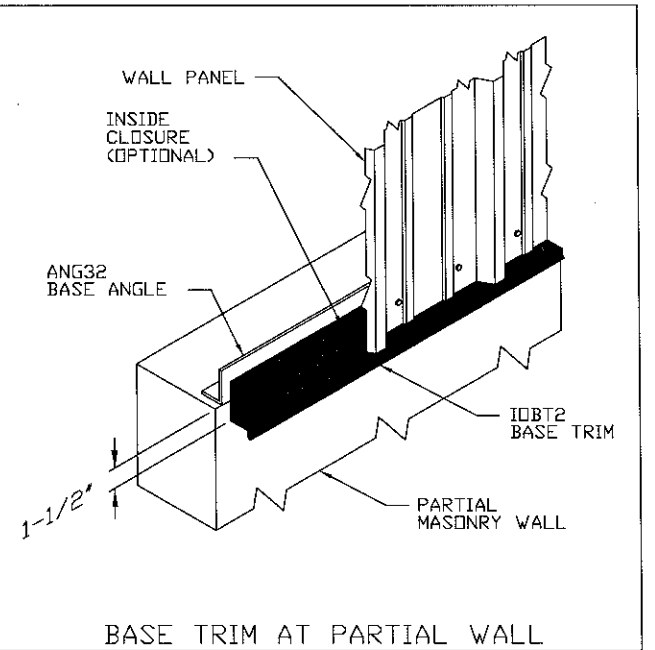
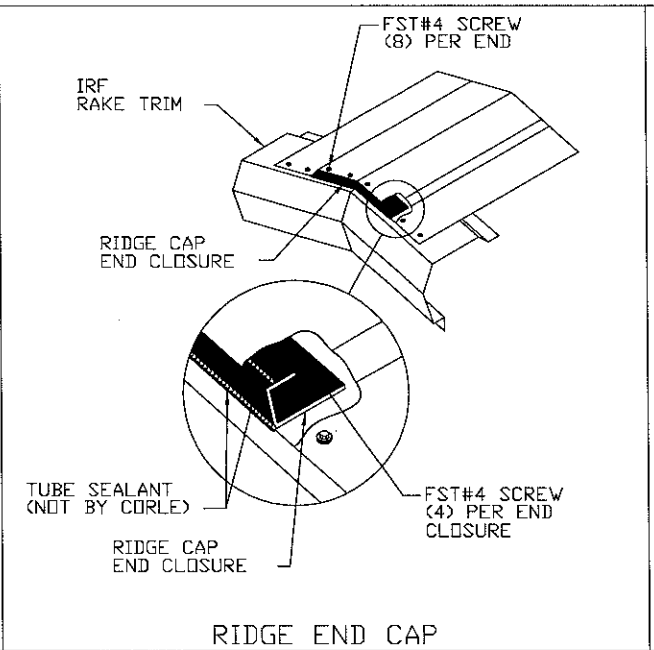
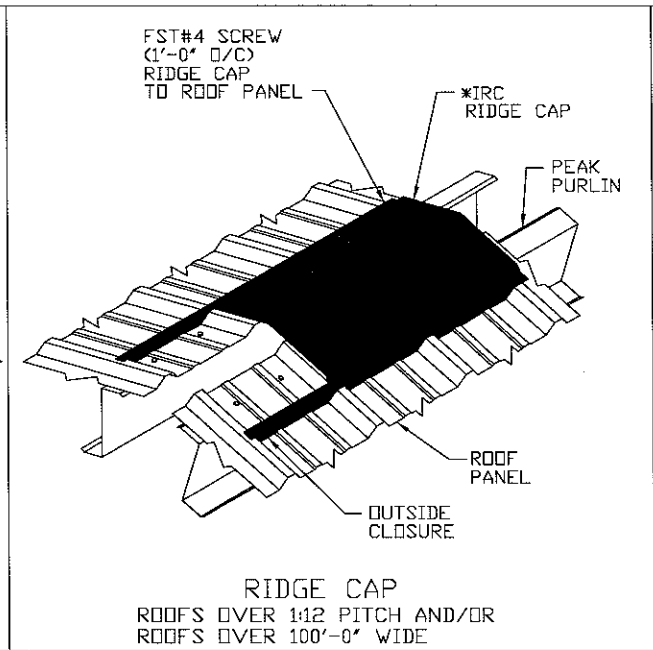
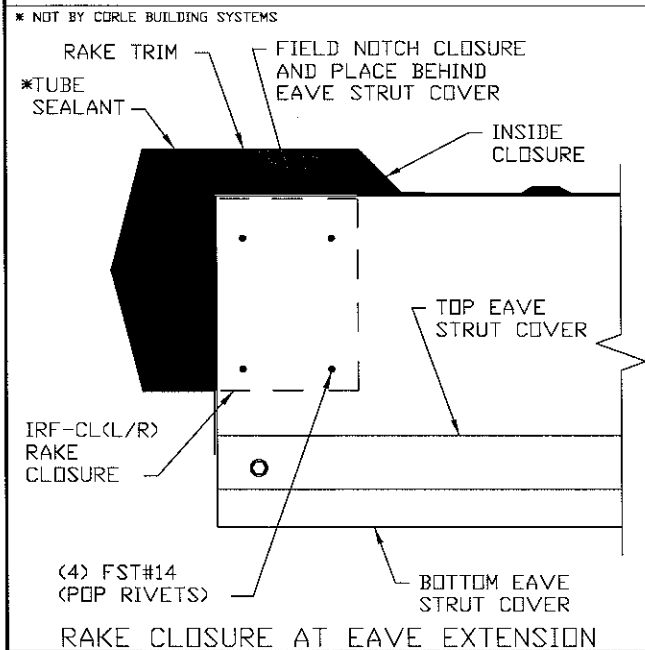
FOR APPROVAL: THESE DRAWINGS, BEING FOR APPROVAL, ARE BY DEFINITION NOT FINAL, AND ARE FOR CONCEPTUAL REPRESENTATION ONLY. THEIR PURPOSE IS TO CONFIRM PROPER INTERPRETATION OF THE PROJECT DOCUMENTS. ONLY DRAWINGS ISSUED "FOR CONSTRUCTION" CAN BE CONSIDERED AS COMPLETE.

FOR PERMIT: THESE DRAWINGS, BEING FOR PERMIT, ARE BY DEFINITION NOT FINAL. ONLY DRAWINGS ISSUED "FOR CONSTRUCTION" CAN BE CONSIDERED AS COMPLETE.

FOR CONSTRUCTION: FINAL DRAWINGS.







114 ROSEMONT LANE, MILLER, PA 16655 (814)276-9911

PHOENIX PROPERTY MANAGEMENT

65'-0" x 105'-0" x 17'-0"

DATE: 12/6/11  
ENG: JJT  
DWN: KAH  
APPD: JJT

F.O. 16838

PHOENIX PROPERTY MANAGEMENT

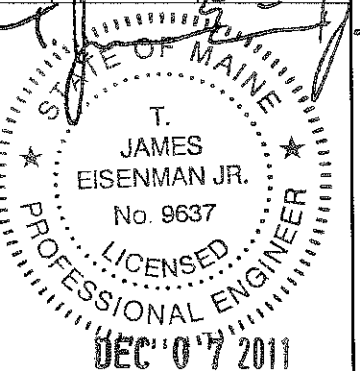
DRAWING STATUS

REV.	DATE	DESCRIPTION
01	12/8/11	SEE C001

FOR APPROVAL: THESE DRAWINGS, BEING FOR APPROVAL, ARE BY DEFINITION NOT FINAL, AND ARE FOR CONCEPTUAL REPRESENTATION ONLY. THEIR PURPOSE IS TO CONFIRM PROPER INTERPRETATION OF THE PROJECT DOCUMENTS. ONLY DRAWINGS ISSUED "FOR CONSTRUCTION" CAN BE CONSIDERED AS COMPLETE.

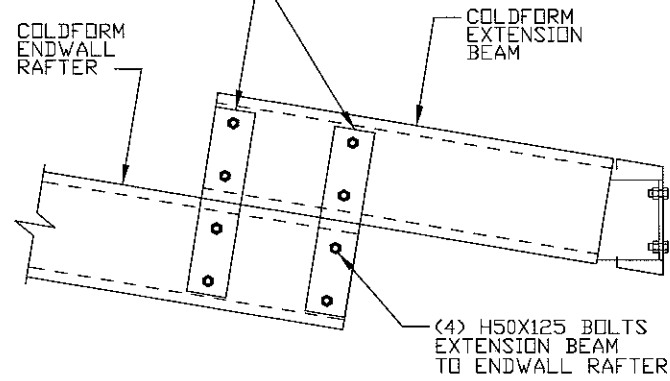
FOR PERMIT: THESE DRAWINGS, BEING FOR PERMIT, ARE BY DEFINITION NOT FINAL. ONLY DRAWINGS ISSUED "FOR CONSTRUCTION" CAN BE CONSIDERED AS COMPLETE.

FOR CONSTRUCTION: THESE DRAWINGS, BEING FOR CONSTRUCTION, ARE BY DEFINITION FINAL DRAWINGS.



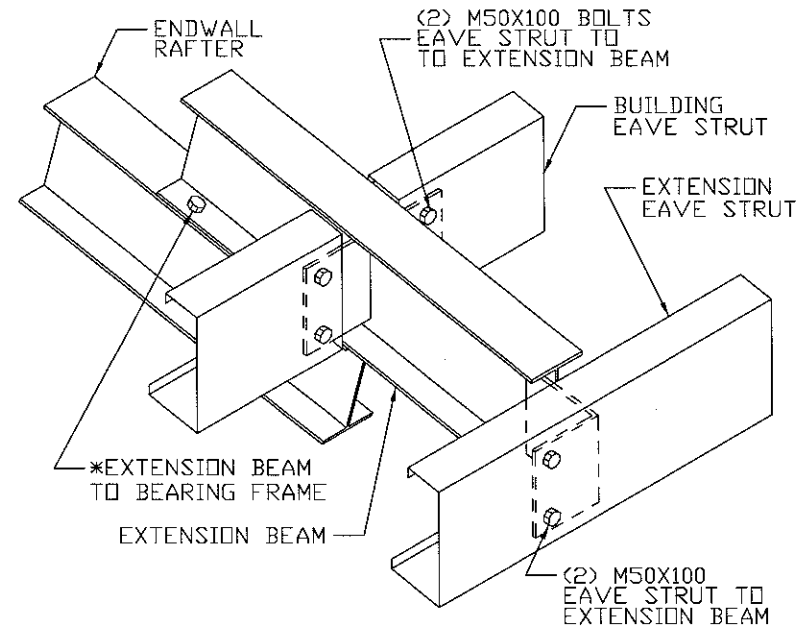
RAFTER SIZE	EXTENSION BEAM SIZE	CONNECTION PLATE
8"	8"	8CEBCP
10"	10"	10CEBCP
8"	10"	810CEBCP
10"	8"	

\*EXTENSION BEAM TO ENDWALL RAFTER CLIP (SEE TABLE FOR CONNECTION PLATE)



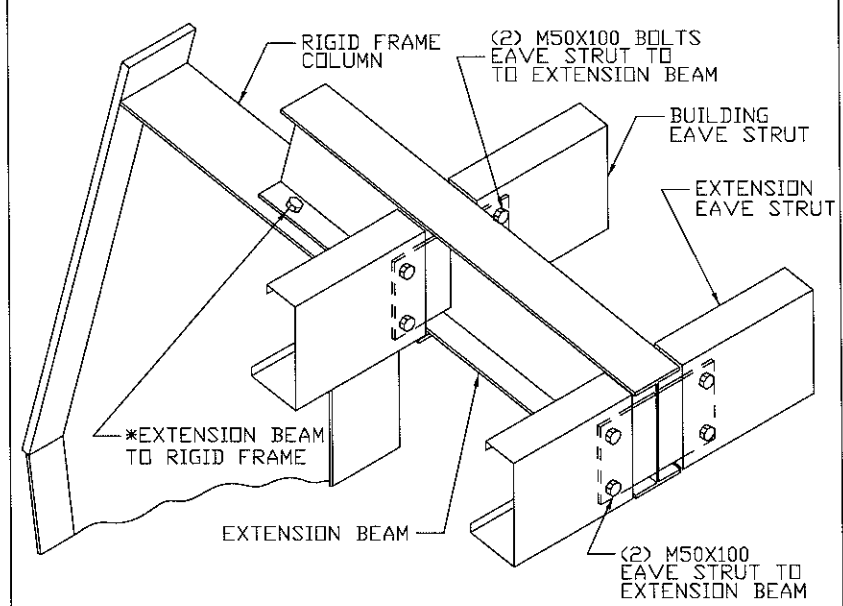
X5 FLUSH EAVE EXTENSION TO COLDFORM FRAME ENDWALL AT LOW EAVE

\*SEE BOLT TABLE ON ROOF FRAMING PLAN



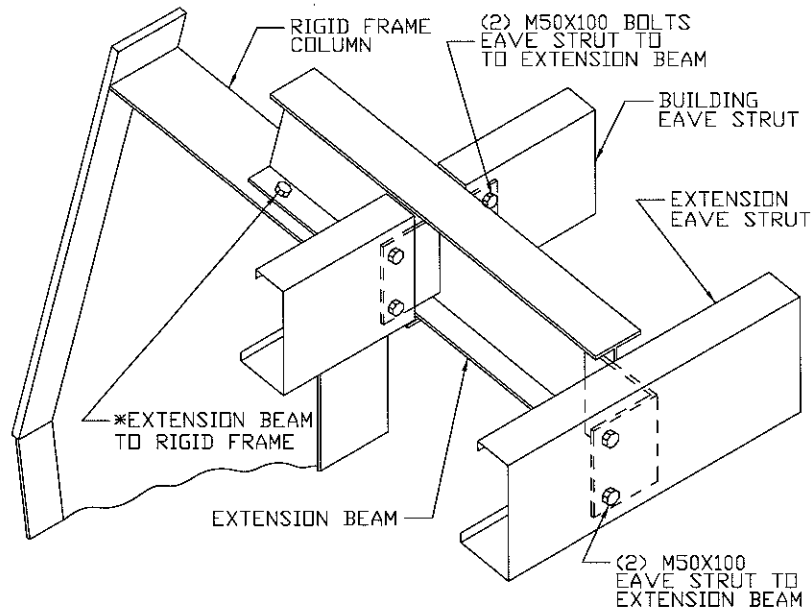
X6 FLUSH EAVE EXTENSION TO BEARING FRAME ENDWALL AT LOW EAVE

\*SEE BOLT TABLE ON ROOF FRAMING PLAN



X7 FLUSH EAVE EXTENSION TO RIGID FRAME - LOW EAVE

\*SEE BOLT TABLE ON ROOF FRAMING PLAN



X8 FLUSH EAVE EXTENSION TO ENDWALL RIGID FRAME - LOW EAVE



114 ROSEMONT LANE, MILLER, PA 16655 (814)276-9611

PHOENIX PROPERTY MANAGEMENT

65'-0" x 105'-0" x 17'-0"

DATE: 12/6/11

ENG: JJT

DWN: KAH

APPD: JJT

F.O. 16838

PHOENIX PROPERTY MANAGEMENT

REVISION HISTORY

REV.	DESCRIPTION	DATE
01	SEE CO-01	12/6/11

DRAWING STATUS

FOR APPROVAL: THESE DRAWINGS, BEING FOR APPROVAL, ARE BY DEFINITION NOT FINAL, AND ARE FOR CONCEPTUAL REPRESENTATION ONLY. THEIR PURPOSE IS TO CONFIRM PROPER INTERPRETATION OF THE PROJECT DOCUMENTS. ONLY DRAWINGS ISSUED "FOR CONSTRUCTION" CAN BE CONSIDERED AS COMPLETE.

FOR PERMIT: THESE DRAWINGS, BEING FOR PERMIT, ARE BY DEFINITION NOT FINAL. ONLY DRAWINGS ISSUED "FOR CONSTRUCTION" CAN BE CONSIDERED AS COMPLETE.

FOR CONSTRUCTION: FINAL DRAWINGS.

