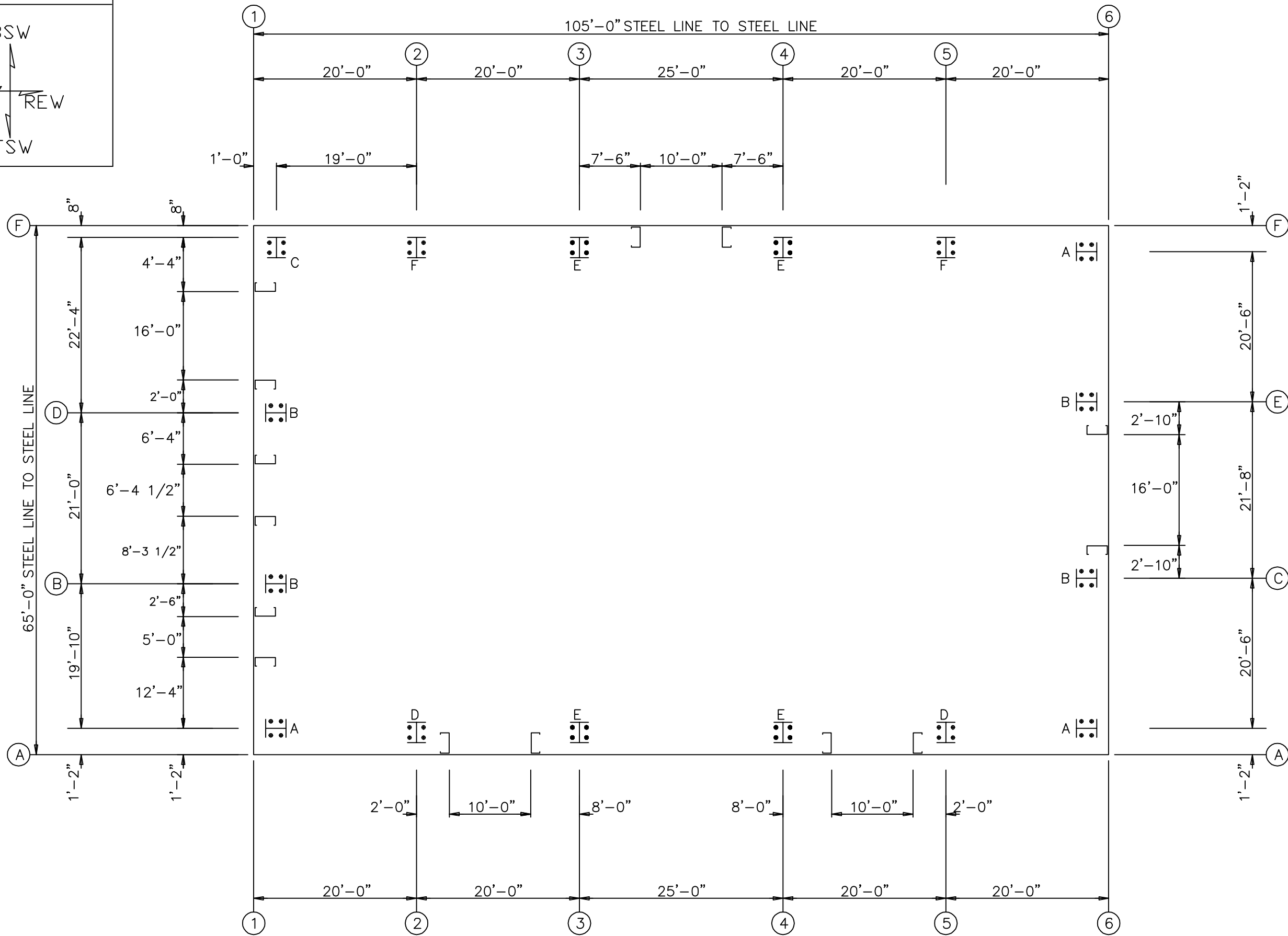
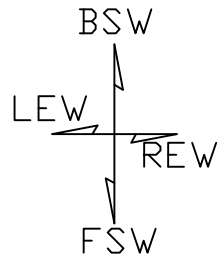


LEGEND



ANCHOR BOLT PLAN
NOTE: All Base Plates @ 100'-0" (U.N.)



114 ROSEMONT LANE, IMPLER, PA 16655 (814)276-9611

PHOENIX PROPERTY MANAGEMENT

65'-0" x 105'-0" x 17'-0"

DATE: 12/6/11

REVISION: 01

ENG: JJT

DWN: DJH

APPD: JJT

F.O. 16838

PHOENIX PROPERTY MANAGEMENT

DRAWING STATUS

FOR APPROVAL: THESE DRAWINGS, BEING FOR APPROVAL, ARE BY DEFINITION NOT FINAL, AND ARE FOR CONCEPTUAL REPRESENTATION ONLY. THEIR PURPOSE IS TO CONFIRM PROPER INTERPRETATION OF THE PROJECT DOCUMENTS. ONLY DRAWINGS ISSUED "FOR CONSTRUCTION" CAN BE CONSIDERED AS COMPLETE.

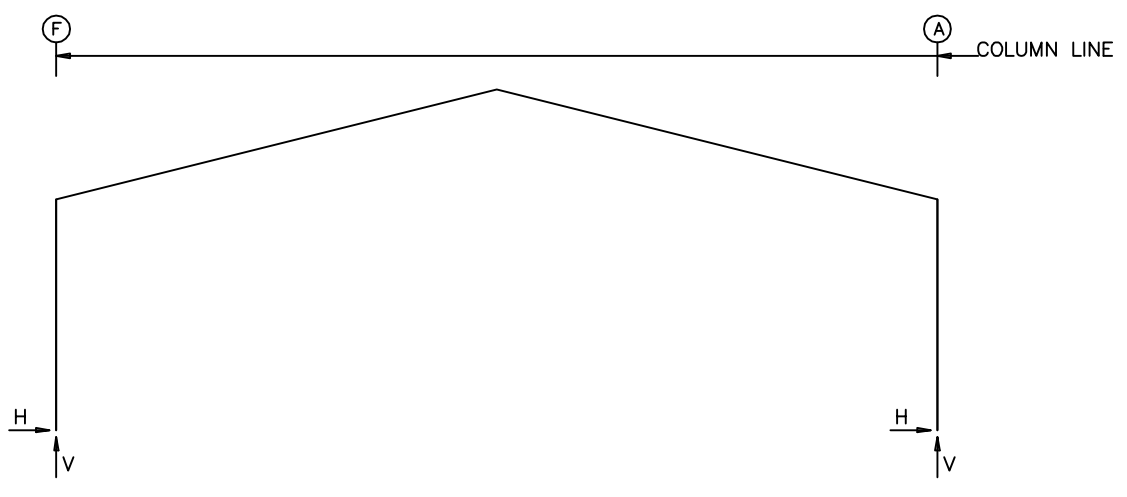
FOR PERMIT: THESE DRAWINGS, BEING FOR PERMIT, ARE BY DEFINITION NOT FINAL. ONLY DRAWINGS ISSUED "FOR CONSTRUCTION" CAN BE CONSIDERED AS COMPLETE.

FOR CONSTRUCTION: FINAL DRAWINGS.

REVISION HISTORY

REV.	DESCRIPTION	DATE
01 <td>SEE CO-01 <td>12/6/11</td> </td>	SEE CO-01 <td>12/6/11</td>	12/6/11

FRAME LINES: 2 3 4 5



RIGID FRAME: BASIC COLUMN REACTIONS (k)

Frame Line	Column Line	---Dead---		---Collateral---		---Live---		---Snow---		---Wind_L1---		---Wind_R1---	
		Horiz	Vert	Horiz	Vert	Horiz	Vert	Horiz	Vert	Horiz	Vert	Horiz	Vert
2 *	F	1.5	3.4	2.1	3.4	7.9	13.8	16.4	30.7	-7.2	-10.4	0.1	-6.8
2 *	A	-1.5	3.4	-2.1	3.3	-7.9	13.8	-16.4	30.6	-0.1	-6.8	7.2	-10.4
2 *	F	-6.5	-6.9	0.8	-3.3	-3.1	-11.7	-2.1	-8.1	-4.7	-2.3	4.7	2.3
2 *	A	-0.8	-3.3	6.5	-6.9	3.1	-8.6	2.1	-5.0	-4.8	2.3	4.8	-2.3
2 *	F	0.0	-10.9	0.0	-1.2	-0.3	-0.2	0.0	-1.2	-0.3	-0.2	14.2	26.7
2 *	A	0.0	0.0	0.3	-0.2	0.0	-1.2	0.3	-0.2	0.0	-1.2	-14.2	15.7
2 *	F	14.1	15.7										
2 *	A	-14.1	26.7										
3 *	F	1.7	3.9	2.3	3.8	8.9	15.5	18.4	34.5	-6.8	-11.1	-1.1	-8.3
3 *	A	-1.7	3.9	-2.3	3.8	-8.9	15.5	-18.4	34.5	1.1	-8.3	6.8	-11.1
3 *	F	-6.0	-7.1	-0.4	-4.3	-3.5	-12.8	-2.4	-8.8	-3.2	-1.6	3.2	1.6
3 *	A	0.4	-4.3	6.0	-7.1	3.5	-12.1	2.4	-8.1	-3.2	1.6	3.2	-1.6
3 *	F	0.0	-10.9	0.0	-1.4	-0.4	-0.3	0.0	-1.4	-0.4	-0.3	15.9	30.0
3 *	A	0.0	-8.7	0.4	-0.3	0.0	-1.4	0.4	-0.3	0.0	-1.4	-15.9	17.6
3 *	F	15.9	17.6										
3 *	A	-15.9	30.0										
2 *	Frame lines:	2	5										
3 *	Frame lines:	3	4										

RIGID FRAME: ANCHOR BOLTS & BASE PLATES

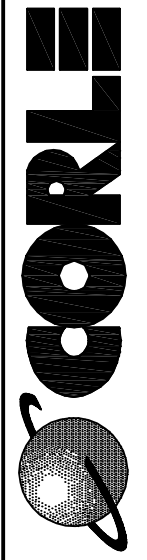
Frm Line	Col Line	Anc. Qty	Bolt Dia	Base_Plate Width	Base_Plate Length	Base_Plate Thick	Grout (in)
2 *	F	4	0.750	8.000	11.76	0.500	0.0
2 *	A	4	0.750	8.000	11.63	0.500	0.0

2 * Frame lines: 2 5

RIGID FRAME: ANCHOR BOLTS & BASE PLATES

Frm Line	Col Line	Anc. Qty	Bolt Dia	Base_Plate Width	Base_Plate Length	Base_Plate Thick	Grout (in)
3 *	F	4	1.000	8.000	11.82	0.500	0.0
3 *	A	4	1.000	8.000	11.82	0.500	0.0

3 * Frame lines: 3 4



114 ROSEMONT LANE, MILLER, PA 16655 (814)276-9611

PHOENIX PROPERTY MANAGEMENT

65'-0" x 105'-0" x 17'-0"

DATE: 12/6/11 REVISION: 01

ENG: JJT DWN: DJH APPD: JJT

F.O. 16838

PHOENIX PROPERTY MANAGEMENT

REVISION HISTORY

REV	DESCRIPTION	DATE
01	SEE CO-01	12/6/11

DRAWING STATUS

FOR APPROVAL: THESE DRAWINGS, BEING FOR APPROVAL, ARE BY DEFINITION NOT FINAL, AND ARE FOR CONCEPTUAL REPRESENTATION ONLY. THEIR PURPOSE IS TO CONFIRM PROPER INTERPRETATION OF THE PROJECT DOCUMENTS. ONLY DRAWINGS ISSUED "FOR CONSTRUCTION" CAN BE CONSIDERED AS COMPLETE.

FOR PERMIT: THESE DRAWINGS, BEING FOR PERMIT, ARE BY DEFINITION NOT FINAL. ONLY DRAWINGS ISSUED "FOR CONSTRUCTION" CAN BE CONSIDERED AS COMPLETE.

FOR CONSTRUCTION: THESE DRAWINGS, BEING FOR CONSTRUCTION, ARE BY DEFINITION FINAL DRAWINGS.

ENDWALL COLUMN: BASIC COLUMN REACTIONS (k)

Frm Line	Col Line	Dead Vert	Collat Vert	Live Vert	---Snow--- Horz Vert	---Drift--- Vert	Rafter Wind_L Vert	Rafter Wind_R Vert	Brace Wind_L Vert	Brace Wind_R Vert	Wind_P Horz	Wind_S Horz
1	F	0.9	0.6	2.9	0.0	7.2	0.0	-2.8	-2.5	-2.8	-2.5	-1.3
1	D	1.5	1.6	6.2	-0.1	12.9	0.0	-5.8	-3.5	-5.8	-3.5	-3.3
1	B	1.4	1.5	5.7	-0.1	11.8	0.0	-3.1	-5.3	-3.1	-5.3	-3.1
1	A	0.9	0.6	2.7	0.0	6.8	0.0	-2.3	-2.8	-2.3	-2.8	-1.2

Frm Line	Col Line	LnWind1 Vert	LnWind2 Vert	Seis_L Vert	Seis_R Vert	E1UNB_SL_L Horz Vert	E1UNB_SL_R Horz Vert	-LWIND1_L- Horz Vert	-LWIND1_R- Horz Vert
1	F	-1.7	-1.0	0.1	0.3	0.0	5.0	0.0	1.3
1	D	-4.0	-2.3	-0.2	-0.3	0.0	16.3	0.0	5.7
1	B	-3.7	-2.2	-0.3	-0.1	0.0	4.4	0.0	15.6
1	A	-1.6	-0.9	0.3	0.1	0.0	1.3	0.0	4.3

Frm Line	Col Line	Dead Vert	Collat Vert	Live Vert	Snow Vert	Rafter Wind_L Vert	Rafter Wind_R Vert	Brace Wind_L Vert	Brace Wind_R Vert	Wind_P Horz	Wind_S Horz	LnWind1 Vert	LnWind2 Vert
6	A	0.9	0.6	2.8	6.9	-2.9	-2.4	-2.9	-2.4	-1.3	1.5	-1.6	-1.0
6	C	1.5	1.6	6.0	12.5	-5.4	-3.4	-5.4	-3.4	-3.2	3.6	-3.8	-2.3
6	E	1.5	1.6	6.0	12.5	-3.4	-3.4	-5.4	-3.4	-3.2	3.6	-3.8	-2.3
6	F	0.9	0.6	2.8	6.9	-2.4	-2.9	-2.4	-2.9	-1.3	1.5	-1.6	-1.0

Frm Line	Col Line	Seis_L Vert	Seis_R Vert	E2UNB_SL_L Horz Vert	E2UNB_SL_R Horz Vert	-LWIND1_L- Horz Vert	-LWIND1_R- Horz Vert	-LWIND2_L- Horz Vert
6	A	0.1	0.3	0.0	4.5	0.0	1.2	0.0
6	C	-0.2	-0.3	0.0	16.0	0.0	5.2	0.0
6	E	-0.3	-0.2	0.0	5.2	0.0	16.0	0.0
6	F	0.3	0.1	0.0	1.2	0.0	4.5	0.0

Frm Line	Col Line	-LWIND2_R- Horz Vert
6	A	0.0
6	C	0.1
6	E	-0.5
6	F	0.0

ANCHOR BOLT SUMMARY

Qty	Locate	Dia (in)	Type
0	32	Endwall	3/4"
0	16	Frame	3/4"
16	16	Frame	1"

BUILDING BRACING REACTIONS

---Wall---	Col Line	Reactions in plane of wall ± Reactions (k)	Panel Shear (lb/ft)
Loc	Line	---Wind--- Horz Vert	---Seismic--- Horz Vert
L_EW	1	Bracing In Roof To Rigid Frame	
F_SW	A	3 ,4 4.2 * 11.5 *	
R_EW	6	Bracing In Roof To Rigid Frame	
B_SW	F	5 ,4 4.2 * 11.5 *	

*See RF reactions table for vertical and horizontal reactions in plane of the rigid frame.

ENDWALL COLUMN: ANCHOR BOLTS & BASE PLATES

Frm Line	Col Line	Anc._Bolt Qty	Dia	Base_Plate (in) Width Length Thick	Grout (in)
1	F	4	0.750	6.000 9.875 0.375	0.0
1	D	4	0.750	6.000 9.875 0.375	0.0
1	B	4	0.750	6.000 9.875 0.375	0.0
1	A	4	0.750	6.000 9.875 0.375	0.0
6	A	4	0.750	6.000 9.875 0.375	0.0
6	C	4	0.750	6.000 9.875 0.375	0.0
6	E	4	0.750	6.000 9.875 0.375	0.0
6	F	4	0.750	6.000 9.875 0.375	0.0


NOTES FOR REACTIONS

- All loading conditions are examined and only the maximum / minimum H or V and the corresponding H or V are reported.
- Positive reactions are shown in the sketch. Foundation loads are in opposite directions.
- Bracing reactions are in the plane of the brace with the H pointing away from the braced bay. The vertical reaction is downward.
- Building reactions are based on the following building data:

DESIGN CRITERIA

Width (ft)	= 65	SEISMIC CRITERIA	
Length (ft)	= 105	Seismic Importance	= 1.00
Eave Height (ft)	= 17	Occupancy Category	= II - Normal
Roof Slope (rise/12)	= 3.0:12		
Building Code	= IBC 09	Mapped Spectral Response Accelerations	
Local Code (State / Prov)	= IBC 09	Ss	= 0.4100
Dead Load (psf)	= 2.630	S1	= 0.1000
Collateral Load (psf)	= 5	Spectral Response Coefficients	
Roof Live Load (psf)	= 20.00	Sds	= 0.5434
Frame Live Load (psf)	= 20	Sd1	= 0.2333
Snow:		Site Class	= E
Ground Snow Load (psf)	= 60.0000	Seismic Design Category	= D
Snow Importance	= 1.0000	Base Shear	
Thermal Coefficient	= 1.00	Expanded Formula	= 0.667*1e*Fa*Ss*W/R
Snow Exposure Factor	= 1.00	Longitudinal Base Shear	=22.98
Slippery Roof	= N	Transverse Base Shear	=24.38
Roof Snow Load (psf)	= 42		
Wind:		Seismic Response Coefficients	
Basic Wind Speed (mph)	= 100 mph	Frame	= 0.167
Occupancy Category	= II - Normal	FSW	= 0.167
Importance - Wind	= 1.00	BSW	= 0.167
Wind Exposure	= B		
Enclosure Classification	= C	Response Modification Factors	
Internal Pressure Coefficients		Frame	= 3.25
Pressure	= 0.18	FSW	= 3.25
Suction	= -0.18	BSW	= 3.25
Components & Cladding			
Design Pressure:			
Pressure	= 17.974		
Suction	= -24.021		

Equilivant Lateral Brace Force Procedure.



114 ROSEMONT LANE, MILLER, PA 16655 (814)276-9611

PHOENIX PROPERTY MANAGEMENT

65'-0" x 105'-0" x 17'-0"

DATE: 12/6/11 REVISION: 01

ENG: JJT DWN: DJH APPD: JJT

F.O. 16838

PHOENIX PROPERTY MANAGEMENT

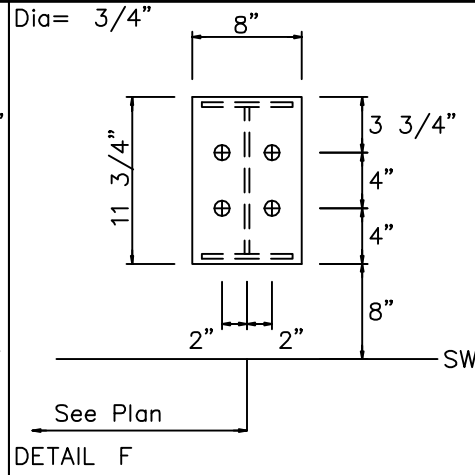
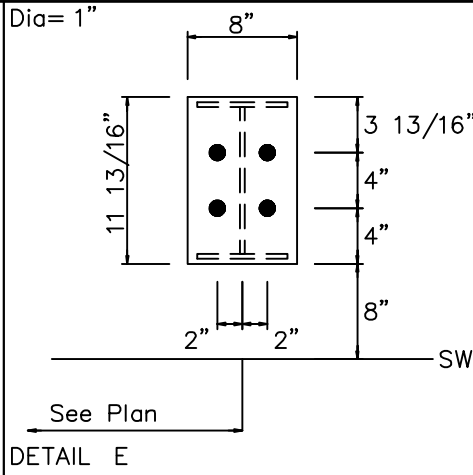
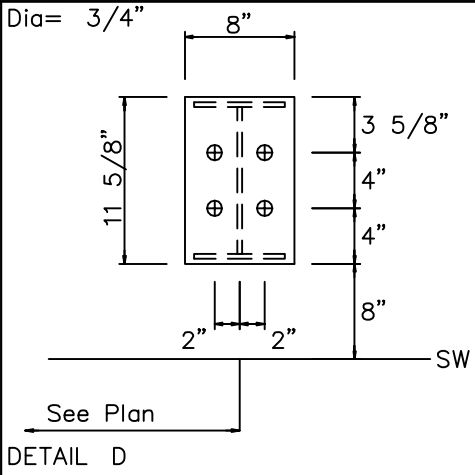
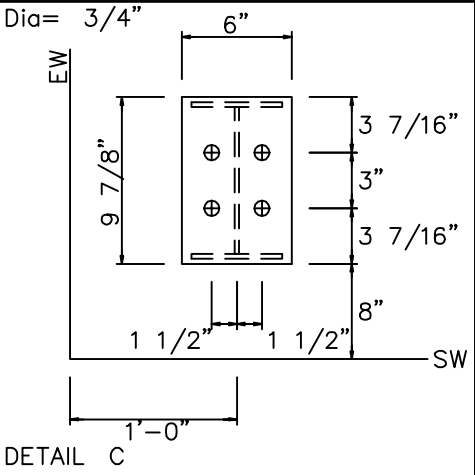
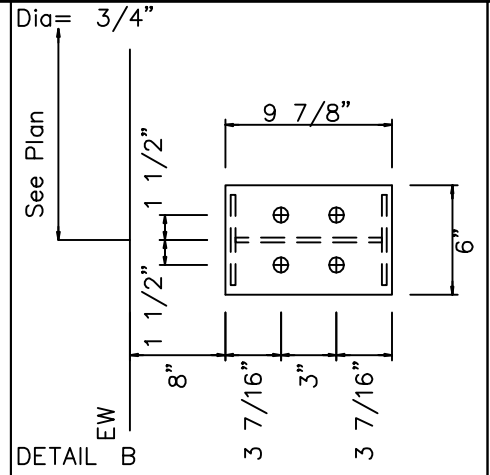
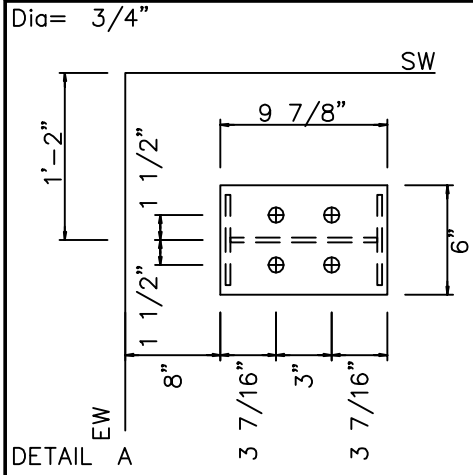
REV.	DATE	DESCRIPTION
01	12/6/11	SEE CO-01

DRAWING STATUS

FOR APPROVAL: THESE DRAWINGS, BEING FOR APPROVAL, ARE BY DEFINITION NOT FINAL, AND ARE FOR CONCEPTUAL REPRESENTATION ONLY. THEIR PURPOSE IS TO CONFIRM PROPER INTERPRETATION OF THE PROJECT DOCUMENTS. ONLY DRAWINGS ISSUED "FOR CONSTRUCTION" CAN BE CONSIDERED AS COMPLETE.

FOR PERMIT: THESE DRAWINGS, BEING FOR PERMIT, ARE BY DEFINITION NOT FINAL. ONLY DRAWINGS ISSUED "FOR CONSTRUCTION" CAN BE CONSIDERED AS COMPLETE.

FOR CONSTRUCTION: FINAL DRAWINGS.



ADDITIONAL LOADING INFORMATION

Mezzanine Loads:

Dead Load _____ PSF

Collateral Load _____ PSF

Live Load _____ PSF

Crane Information:

Crane Type _____

CMAA Service Class _____

Crane capacity = _____ Kips

Bridge Weight = _____ Kips

Hoist/Trolley Weight = _____ Kips


Wheel Spacing = _____ Ft.

Additional Loads:

1. _____

2. _____

3. _____



114 ROSEMONT LANE, MILLER, PA 16655 (814)276-9611

PHOENIX PROPERTY MANAGEMENT

65'-0" x 105'-0" x 17'-0"

DATE: 12/6/11 REVISION: 01

ENG: JJT DWN: DJH APPD: JJT

F.O. 16838

DRAWING STATUS		REVISION HISTORY	
REV.	DESCRIPTION	REV.	DATE
01	SEE CO-01		12/6/11

PHOENIX PROPERTY MANAGEMENT

DRAWING STATUS

FOR APPROVAL: THESE DRAWINGS, BEING FOR APPROVAL, ARE BY DEFINITION NOT FINAL, AND ARE FOR CONCEPTUAL REPRESENTATION ONLY. THEIR PURPOSE IS TO CONFIRM PROPER INTERPRETATION OF THE PROJECT DOCUMENTS. ONLY DRAWINGS ISSUED "FOR CONSTRUCTION" CAN BE CONSIDERED AS COMPLETE.

FOR PERMIT: THESE DRAWINGS, BEING FOR PERMIT, ARE BY DEFINITION NOT FINAL. ONLY DRAWINGS ISSUED "FOR CONSTRUCTION" CAN BE CONSIDERED AS COMPLETE.

FOR CONSTRUCTION: FINAL DRAWINGS.