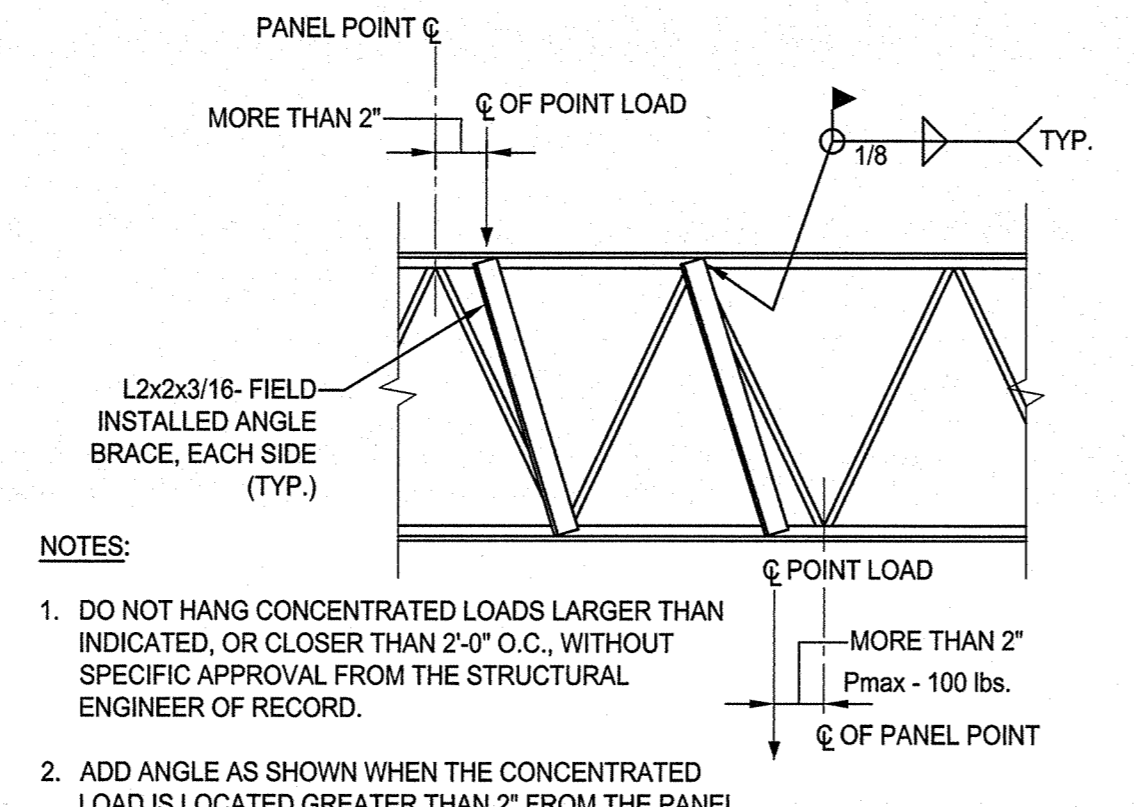
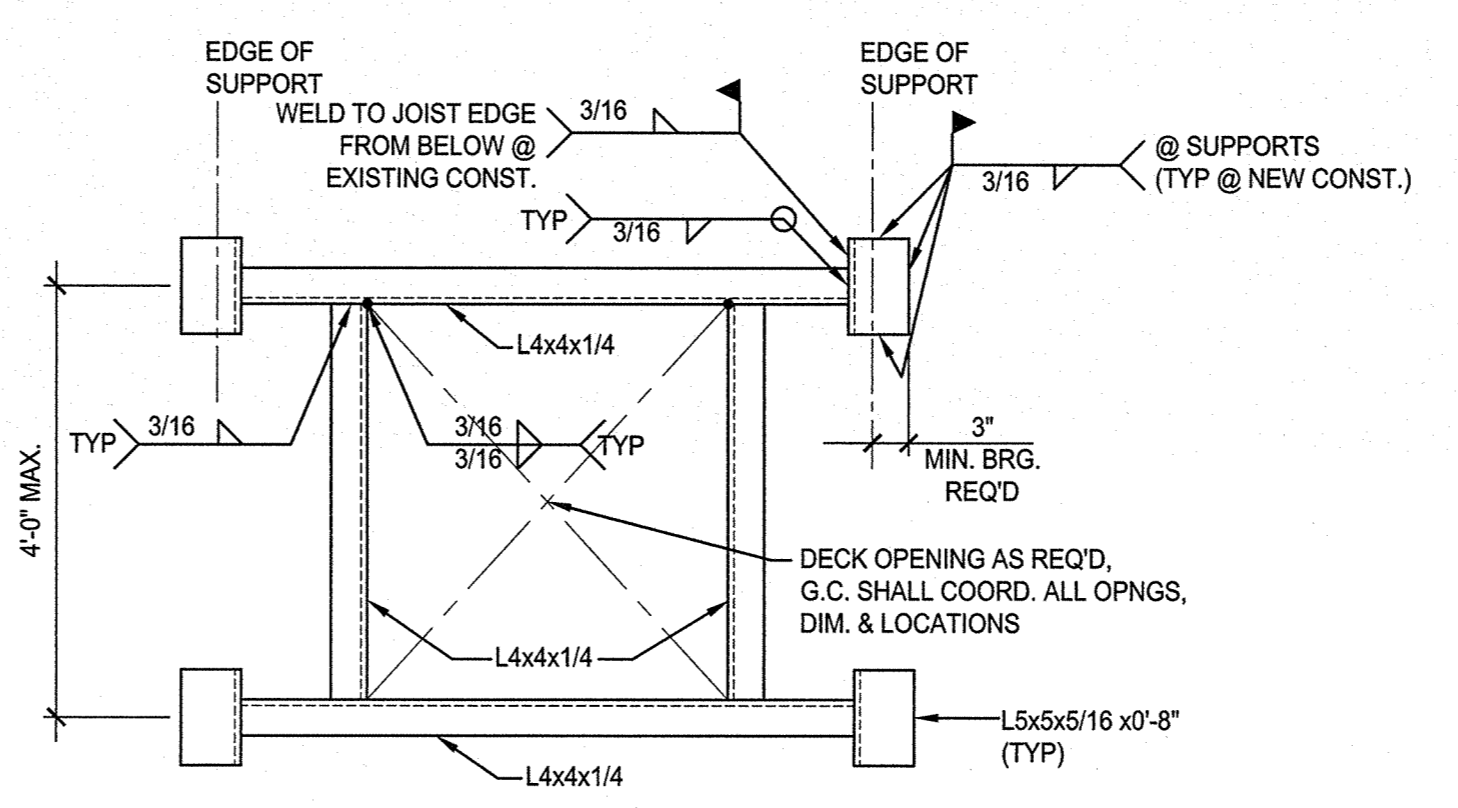


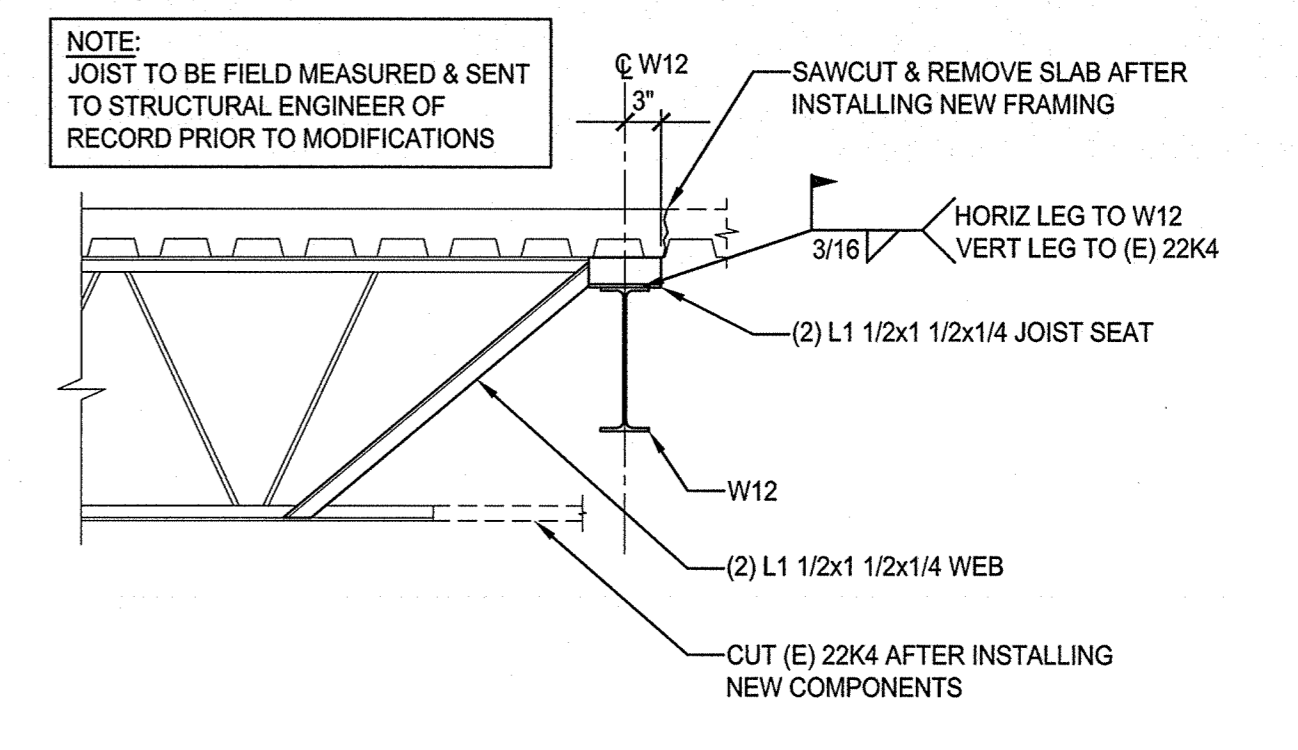
MECHANICAL UNIT SUPPORT DETAIL (K14)  
1-1/2" = 1'-0"



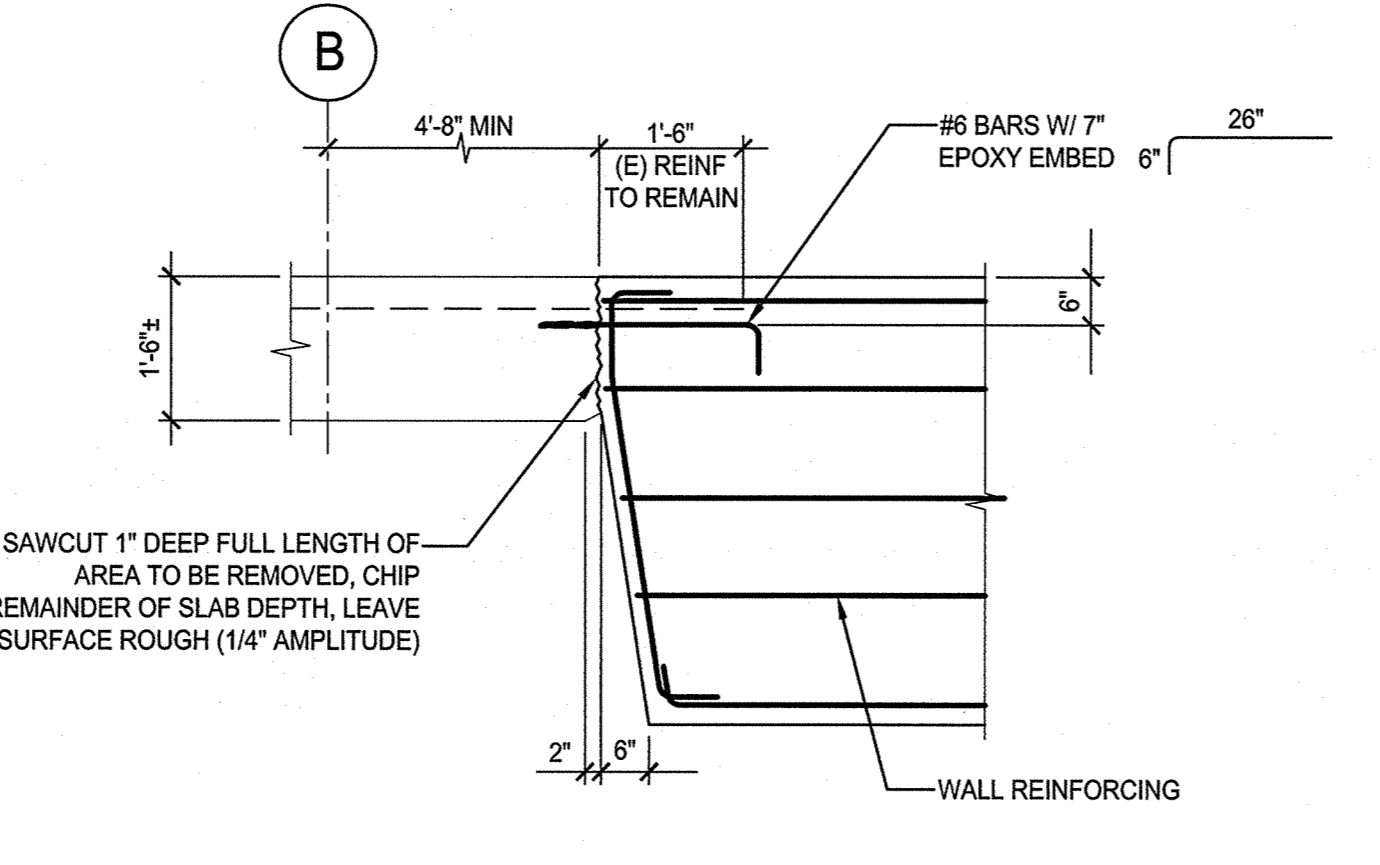
TYPICAL JOIST REINFORCEMENT DETAIL (K10)  
3/4" = 1'-0"



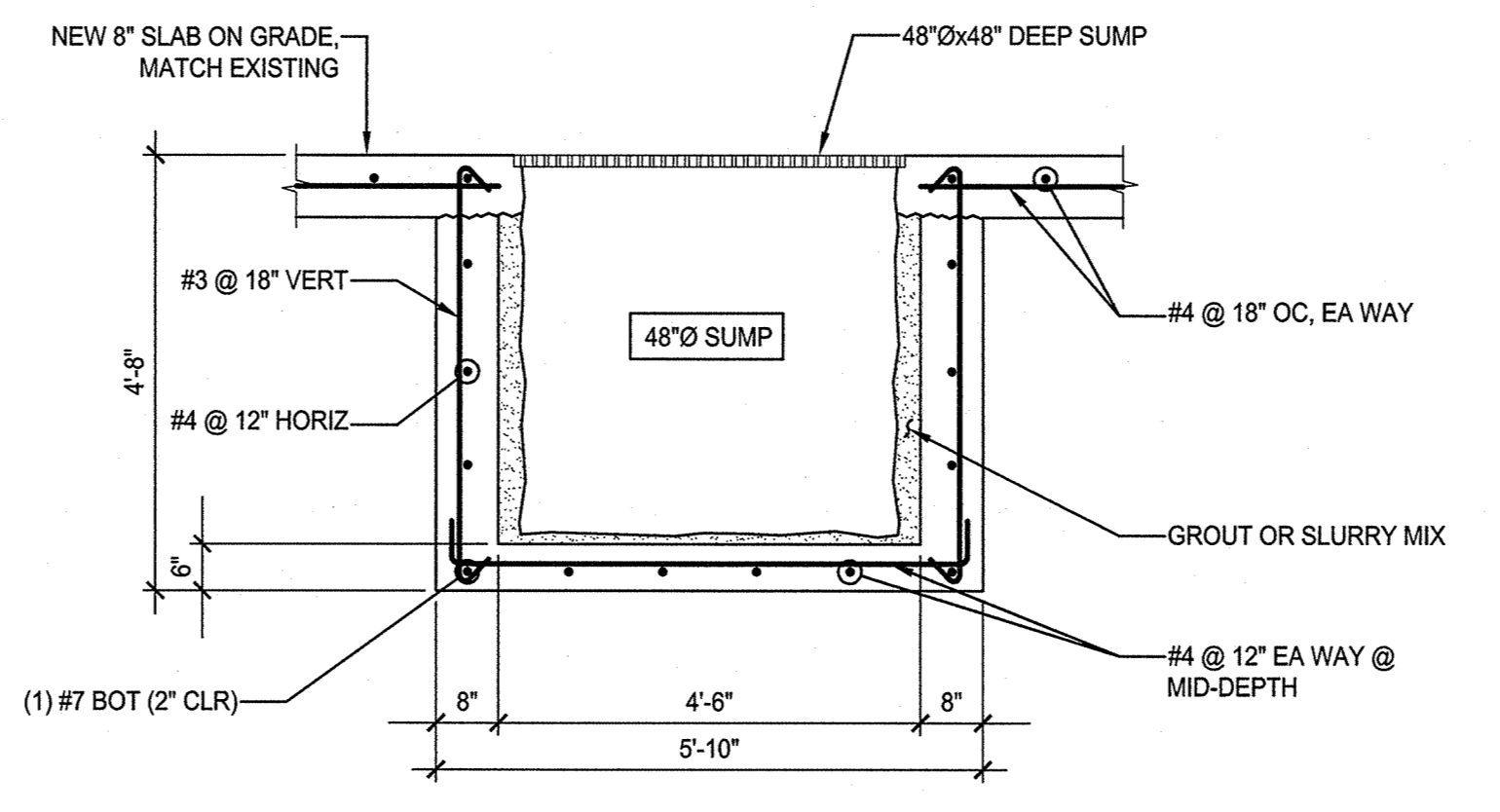
TYPICAL FRAMED ROOF OPENING DETAIL (K5)  
3/4" = 1'-0"



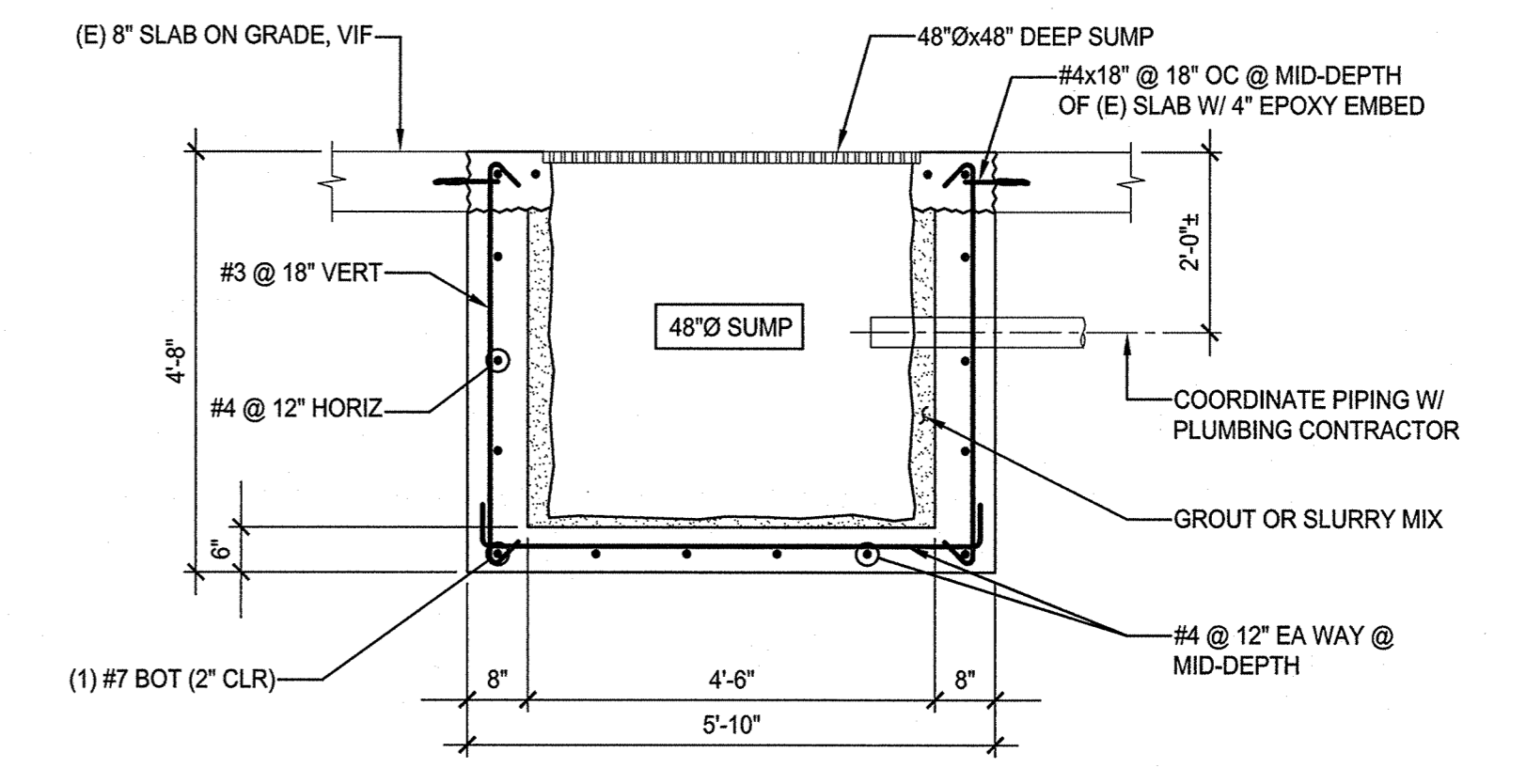
SECTION (K1)  
3/4" = 1'-0"



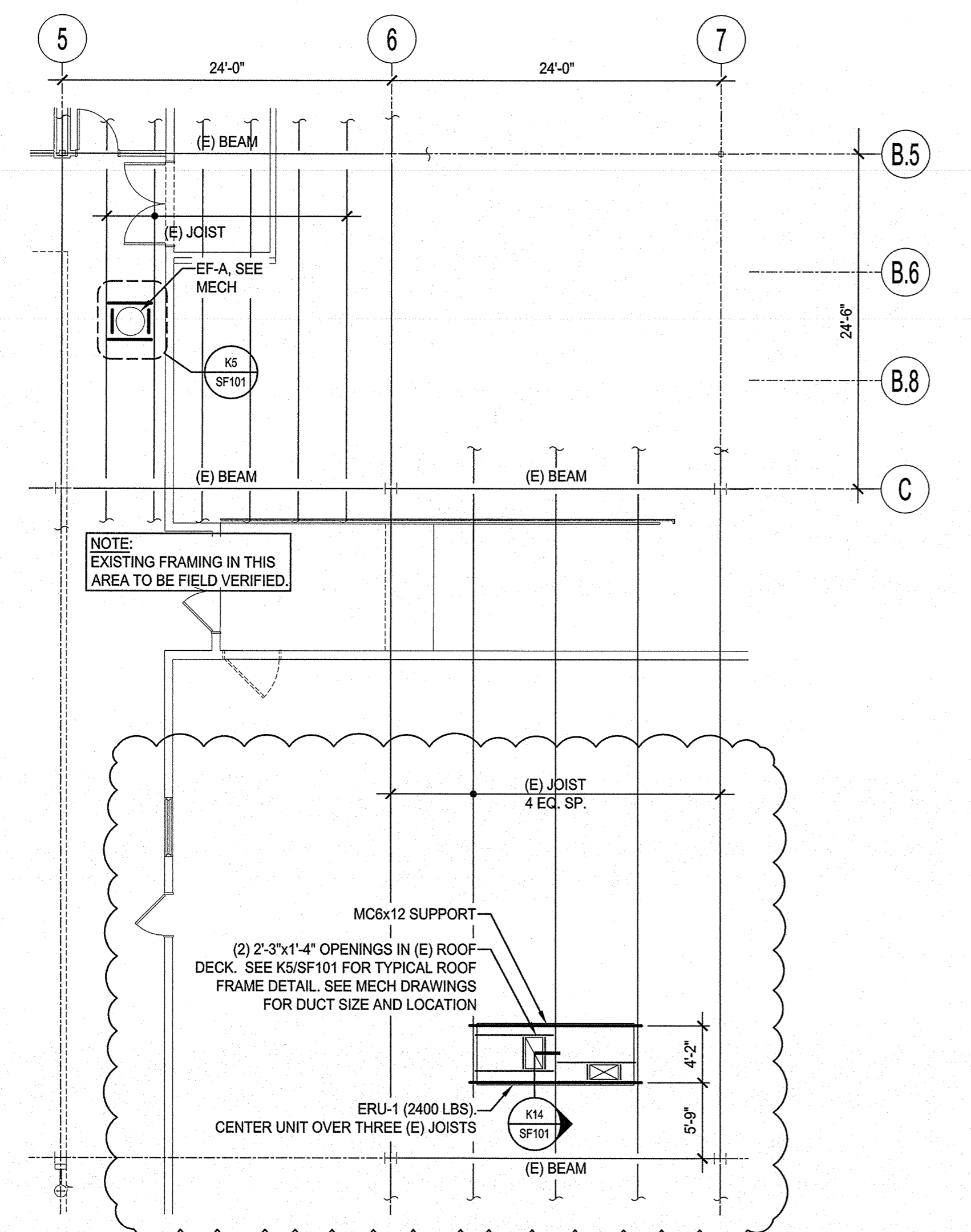
SECTION (G10)  
3/4" = 1'-0"



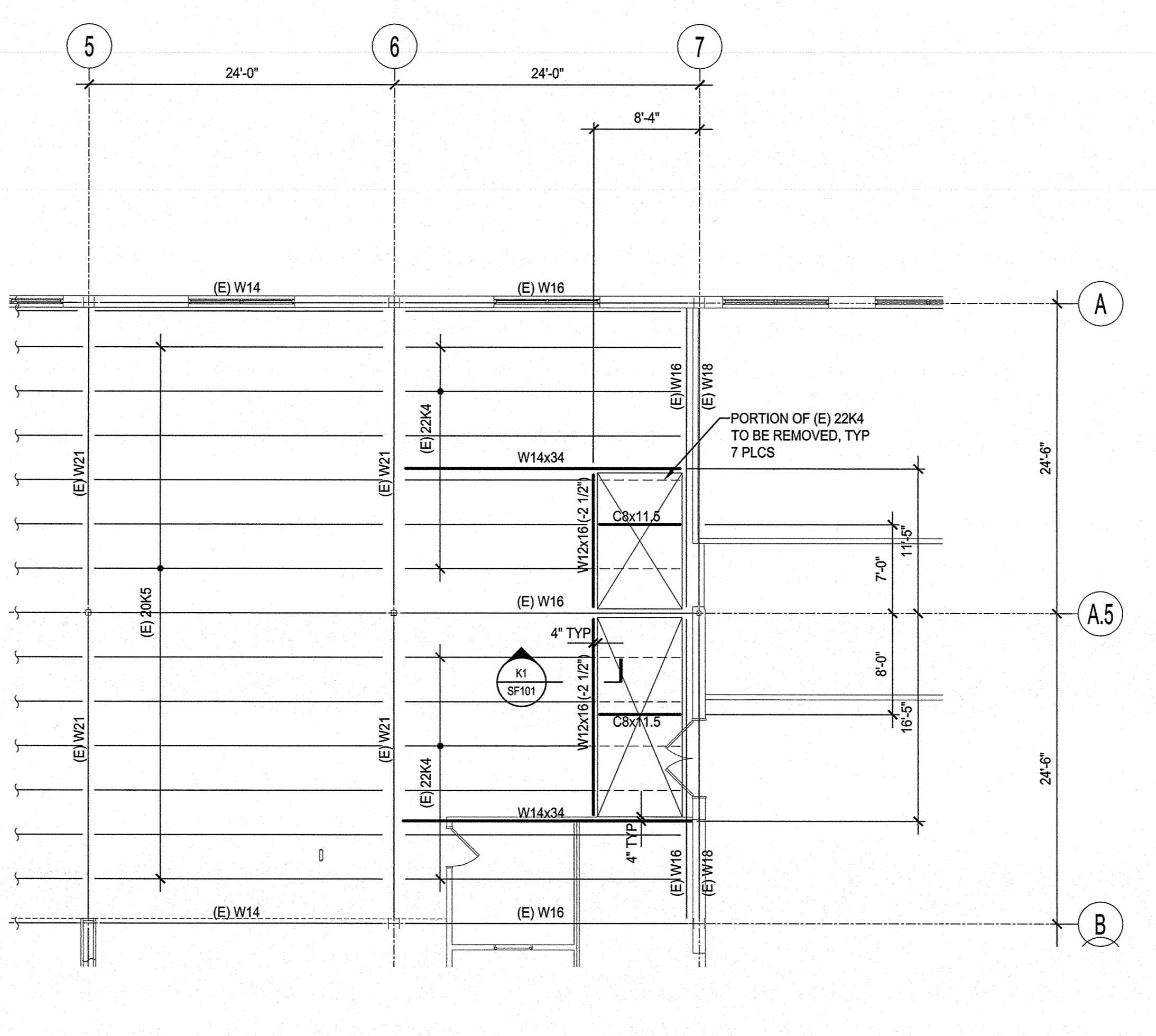
SECTION (G5)  
1/2" = 1'-0"



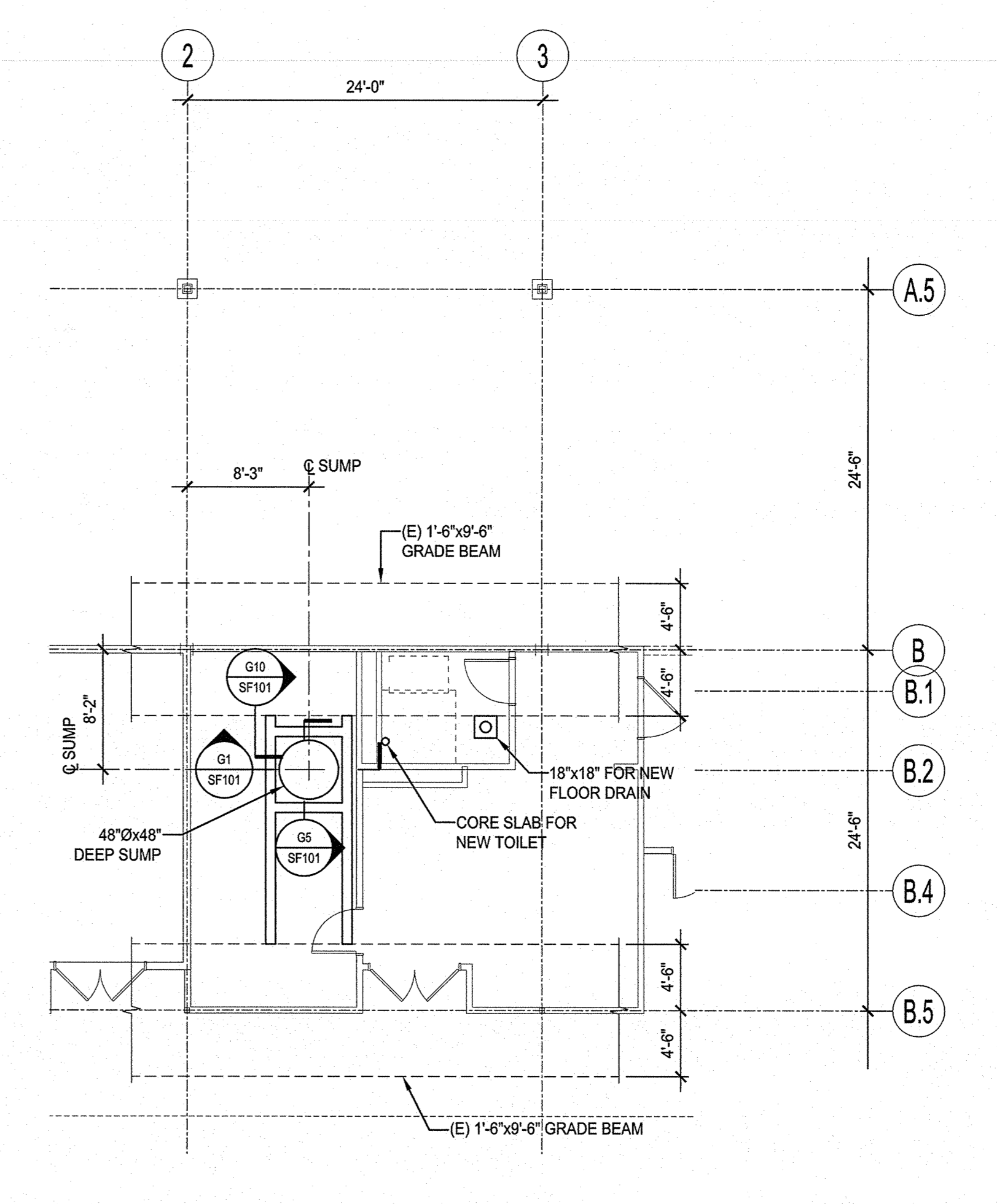
SECTION (G1)  
1/2" = 1'-0"



PARTIAL ROOF FRAMING PLAN (A12)  
1/8" = 1'-0"



PARTIAL SECOND FLOOR FRAMING PLAN (A6)  
1/8" = 1'-0"



PARTIAL GROUND FLOOR FOUNDATION PLAN (A1)  
1/8" = 1'-0"

1	ADDENDUM 1	1-9-18
0	ISSUED FOR CONSTRUCTION	12-21-17
REV	DESCRIPTION	DATE

**ISSUED FOR CONSTRUCTION**  
12-21-17

CURRENT ISSUE STATUS:

PROJECT NORTH:  
SMRT Architects and Engineers  
144 Fore Street  
Portland, Maine 04104  
1.877.700.7678  
www.smrtinc.com

ARCHITECTURE | ENGINEERING | PLANNING | INTERIORS | ENERGY

**SMRT**

**MAINE MEDICAL CENTER**  
M.M.C. HUTCHINS DRIVE  
RENOVATION  
PROJECT LOCATION

**STRUCTURAL PLANS, SECTIONS, DETAILS & NOTES**

SHEET TITLE:  
0 1/4" 1/2" 1" 2" 3"

SCALE: AS NOTED

PROJECT MANAGER: RSC PROJECT NO: 17123  
A/E OF RECORD: ADB  
JOB CAPTAIN: SDL  
DRAWN BY: DSF

**SF101**

SMRT FILE: SF101-17123 SHEET No.