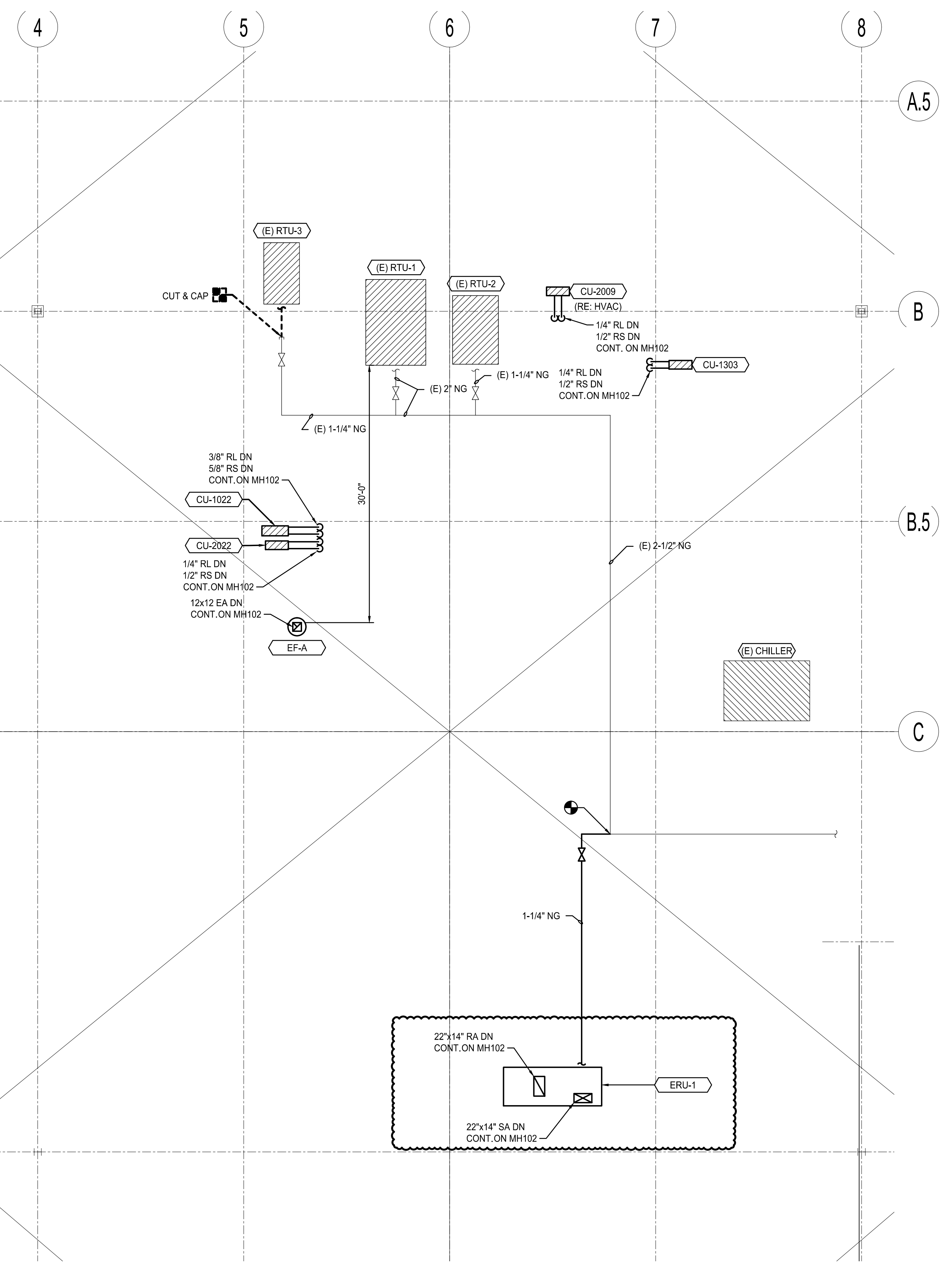
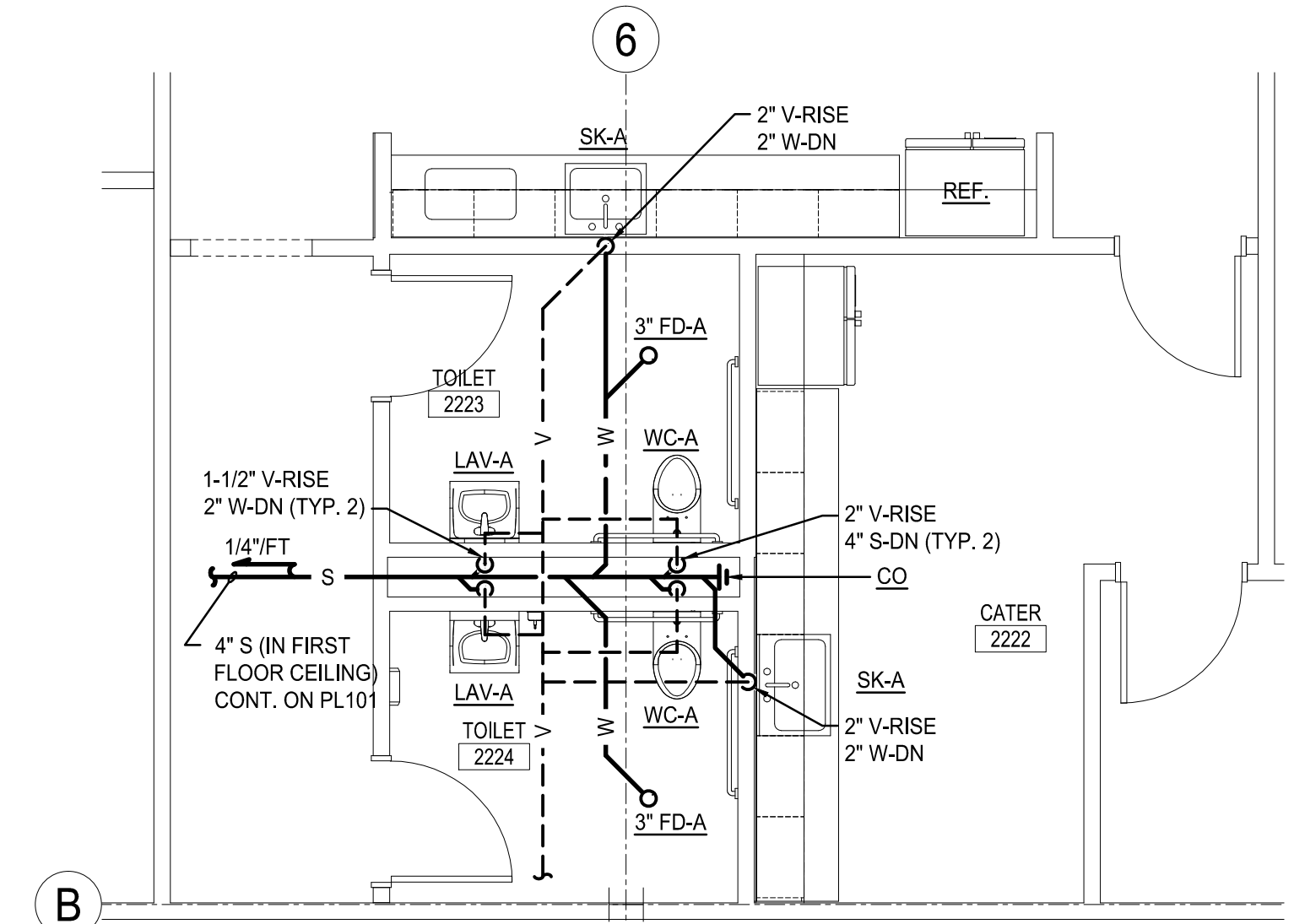


NOTE:
1. SEE SHEET PL001 FOR LEGEND AND ABBREVIATIONS.

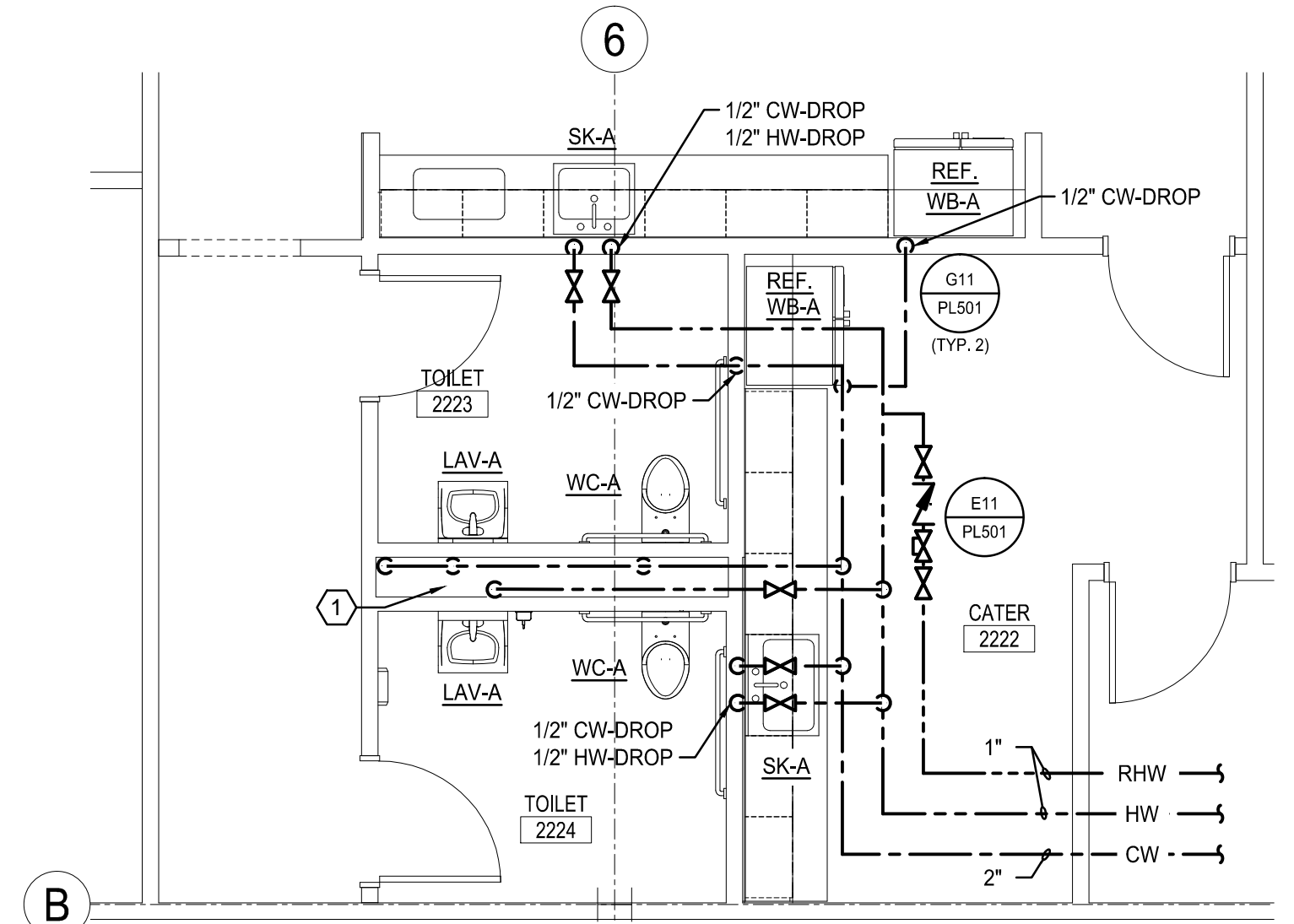
KEYNOTES	
KEYNOTE NUMBER	KEYNOTE DESCRIPTION
1	2" CW-DROP, RUN FULL LENGTH OF CHASE THEN DOWN THROUGH CHASE TO FIRST FLOOR CEILING. ROUTE 1" CW TO EACH WC. PROVIDE WATER HAMMER ARRESTOR PRIOR TO CONNECTION OF LAST WC WITH SHUT-OFF VALVE - ACCESSIBLE. ROUTE 1/2" CW TO EACH LAV. 1/2" HW DROP. ROUTE 1/2" HW TO EACH LAV.
2	2" CW-DROP, RUN FULL LENGTH OF CHASE. ROUTE 1" CW TO WC-A. PROVIDE WATER HAMMER ARRESTOR PRIOR TO CONNECTION WITH SHUT-OFF VALVE - ACCESSIBLE. ROUTE 1/2" CW TO LAV-A. ROUTE 1/2" CW TO SK-A AND 1/2" CW TO REF. ROUTE 1/2" HW TO LAV-A. ROUTE 1/2" HW TO SK-A.
3	2" V-RISE, 4" S-DN



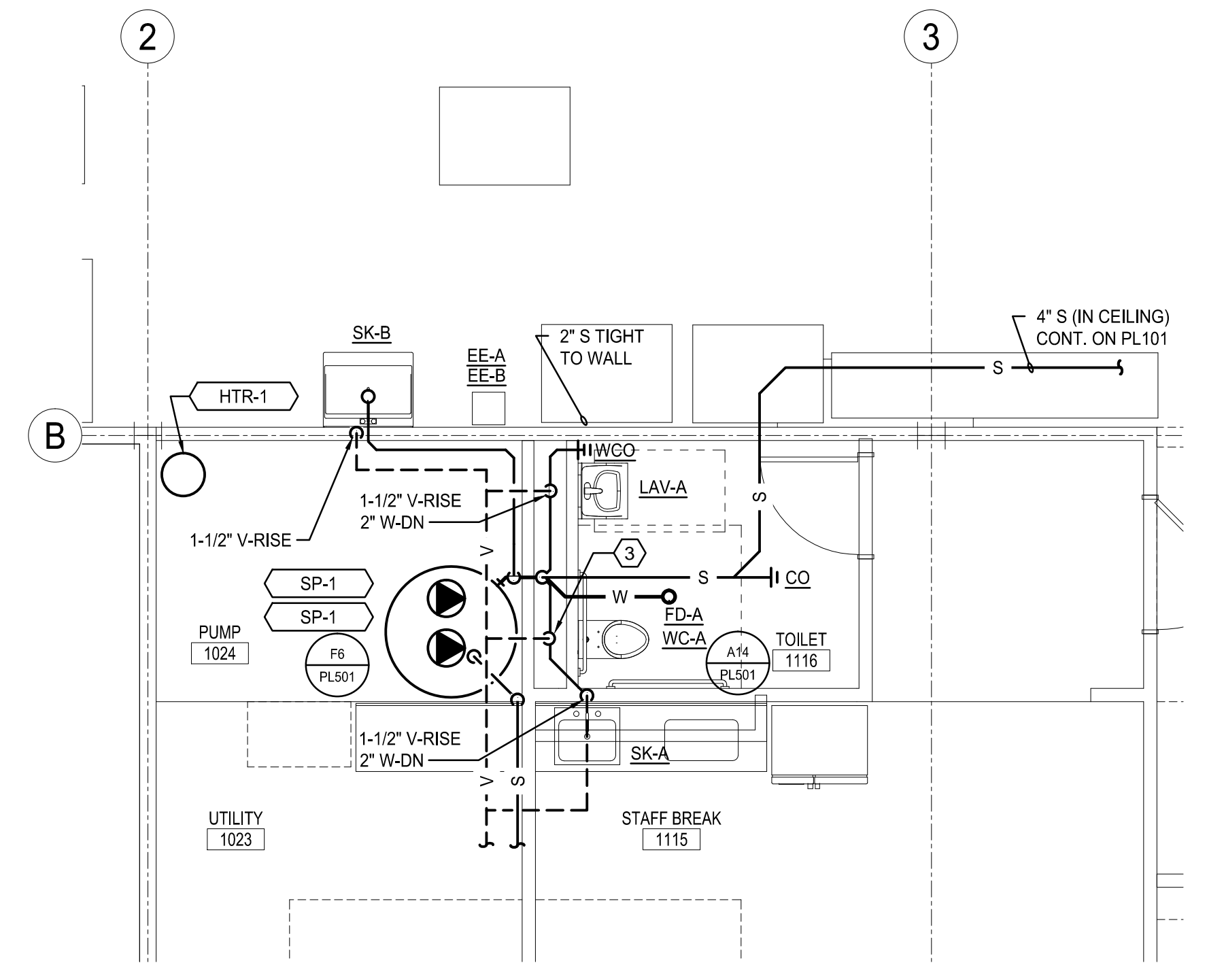
PLUMBING ROOF PART PLAN (A12)
1/8" = 1'-0"



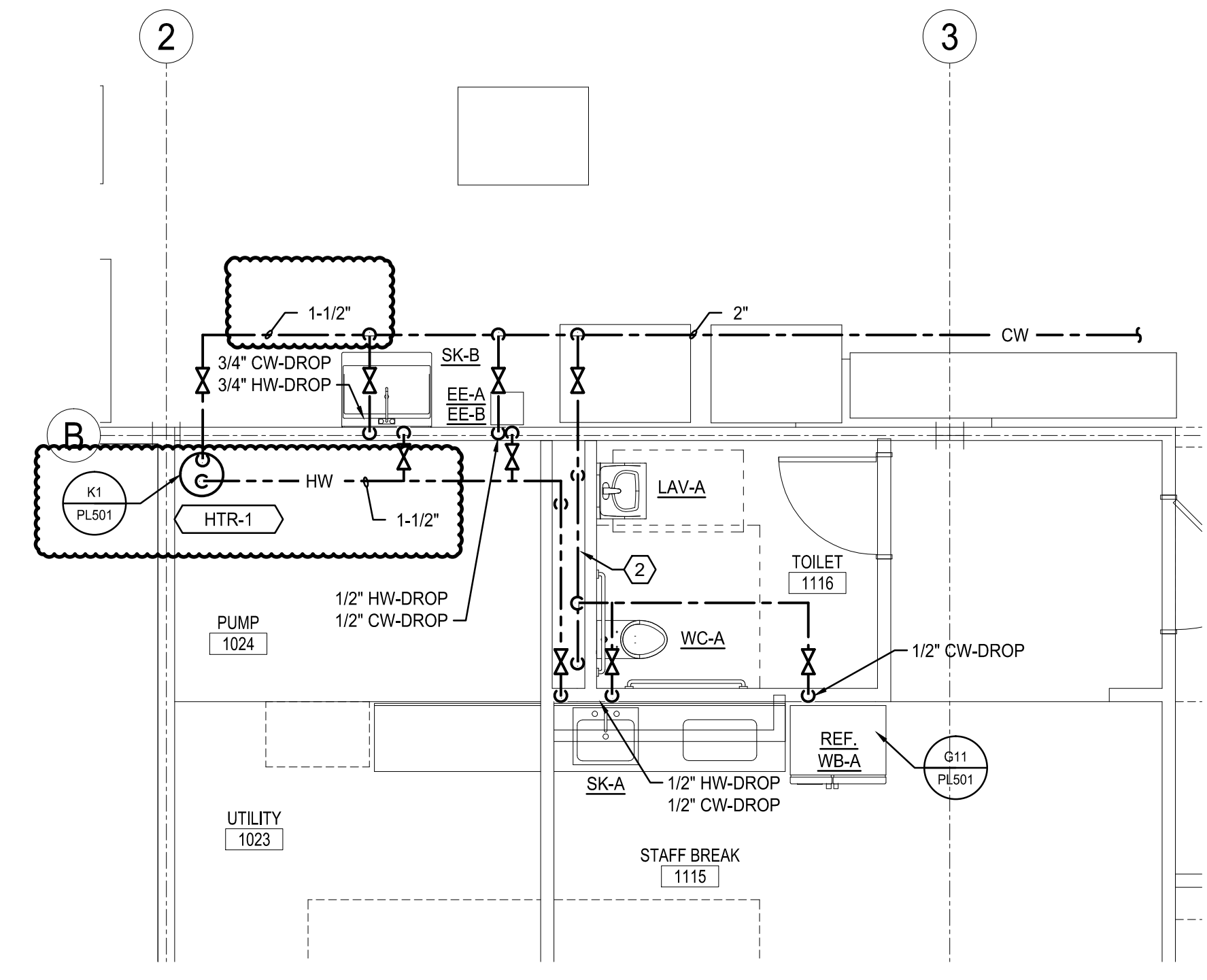
SECOND FLOOR DWV PIPING PART PLAN (F7)
1/4" = 1'-0"



SECOND FLOOR SUPPLY PIPING PART PLAN (F1)
1/4" = 1'-0"



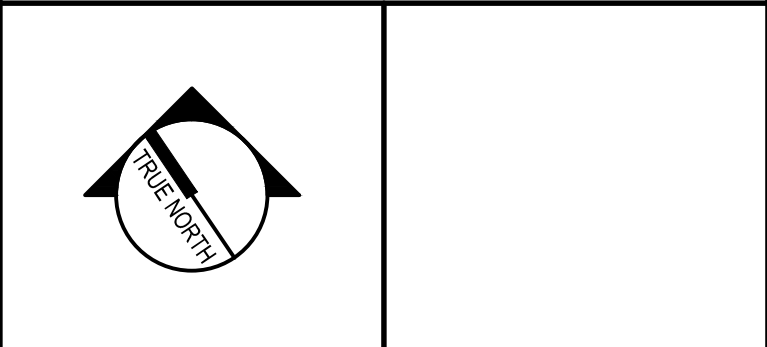
FIRST FLOOR DWV PIPING PART PLAN (A7)
1/4" = 1'-0"



FIRST FLOOR SUPPLY PIPING PART PLAN (A1)
1/4" = 1'-0"

REV	DESCRIPTION	DATE
1	ADDENDUM 1	1-9-18
0	ISSUED FOR CONSTRUCTION	12-21-17

ISSUED FOR CONSTRUCTION
12-21-17



PROJECT NORTH:
SMRT Architects and Engineers
144 Fore Street
Portland, Maine 04104
1.877.700.7678
www.smrtinc.com

ARCHITECTURE | ENGINEERING | PLANNING | INTERIORS | ENERGY | SMRT
MAINE MEDICAL CENTER
M.M.C. HUTCHINS DRIVE
RENOVATION
102 HUTCHINS DRIVE, PORTLAND, ME
PLUMBING PART PLANS

SHEET TITLE:
0 1/4" 1/2" 1" 2" 3"

SCALE: AS NOTED
PROJECT MANAGER: RSC PROJECT NO: 17123
A/E OF RECORD: KDD
JOB CAPTAIN: SDL
DRAWN BY: CWF
SMRT FILE: PL401-17123 SHEET NO. PL401