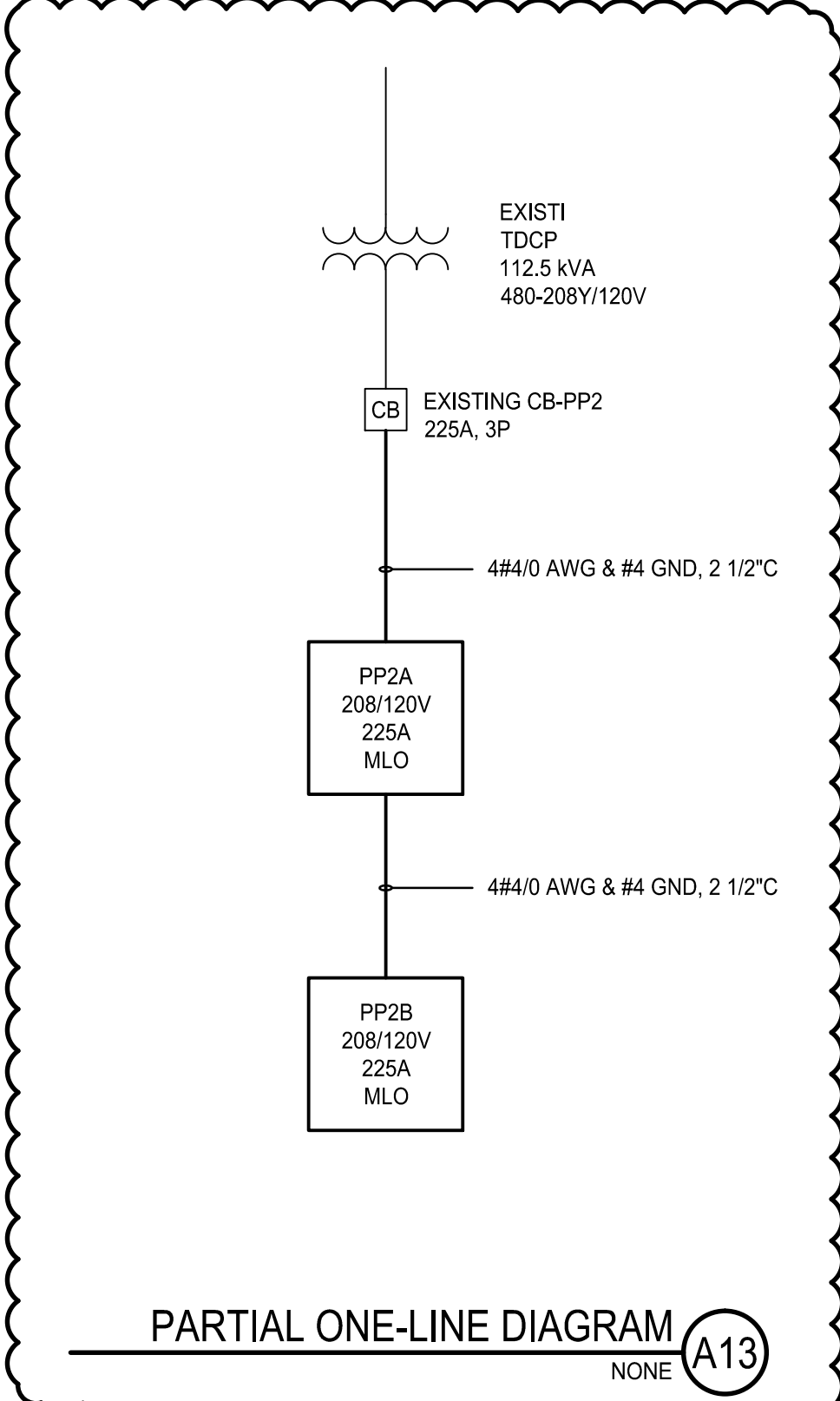


NOTE:
 1. SEE SHEET E-001 FOR LEGEND AND GENERAL NOTES.

KEYED NOTE:

1. PROVIDE A DUAL CHANNEL LEGRAND 25DTP SERIES OR EQUAL POWER POLE WITH TWO DUPLEX RECEPTACLES AND A NEMA L6-20R RECEPTACLE. WIRING FOR L6-20R RECEPTACLE TO BE 2#12 AWG & #12 GND, 3/4" C.
2. FURNISH AND INSTALL A DUAL CHANNEL LEGRAND 25DTP SERIES OR EQUAL POWER POLE WITH TWO DUPLEX RECEPTACLES.
3. PROVIDE A DUAL CHANNEL LEGRAND 25DTP SERIES OR EQUAL POWER POLE WITH TWO DUPLEX RECEPTACLES AND A NEMA L6-30R RECEPTACLE. WIRING FOR L6-30R RECEPTACLE TO BE 2#10 AWG & #10 GND, 3/4" C.
4. PROVIDE A DUAL CHANNEL LEGRAND 25DTP SERIES OR EQUAL POWER POLE WITH TWO DUPLEX RECEPTACLES AND A NEMA L6-20R RECEPTACLE. WIRING TO BE 2#12 AWG & #12 GND, 3/4" C.
5. MOUNT RECEPTACLE 42" AFF TO BOTTOM OF DEVICE.
6. MOUNT RECEPTACLE 60" AFF TO CENTER OF DEVICE.
7. MOUNT RECEPTACLE RECESSED IN CEILING FOR PROJECTOR. MOUNT RECEPTACLE ADJACENT TO PROJECTOR SUPPORTS.
8. INDOOR SECTION OF SPLIT SYSTEM TO BE FED VIA OUTDOOR CONDENSING UNIT. COORDINATE WITH MECHANICAL CONTRACTOR FOR WIRING REQUIRED BETWEEN INDOOR UNIT AND CONDENSING UNIT. SEE SHEET EP102 FOR LOCATION OF CONDENSING UNITS.
9. FEED NEW PANELBOARDS PP2A & PP2B FROM EXISTING TRANSFORMER TDCP AND CIRCUIT BREAKER CB-PP2 LOCATED IN THE WAREHOUSE. RUN NEW WIRING FROM BREAKER ON SECONDARY OF TRANSFORMER TO NEW PANELBOARD. SEE PARTIAL ONE-LINE DIAGRAM FOR WIRE SIZES.
10. IN EXISTING PANELBOARD PP3-1 UTILIZE TWO EXISTING 20 AMP SINGLE POLE SPARE CIRCUIT BREAKERS TO FEED RECEPTACLES SHOWN.
11. IN EXISTING PANELBOARDS MP1-1 FURNISH & INSTALL A NEW 20 AMP SINGLE POLE CIRCUIT BREAKER TO FEED NEW HEAT PUMP.
12. PROVIDE POWER FOR SPLIT SYSTEM AND HEAT PUMP CONDENSATE PUMPS. COORDINATE WITH MECHANICAL CONTRACTOR FOR EXACT PLACEMENT OF PUMPS.
13. IN EXISTING PANELBOARD MP2 UTILIZE AN EXISTING 15 AMP SINGLE POLE SPARE CIRCUIT BREAKER TO FEED NEW CONDENSATE PUMPS.
14. PROVIDE A DUAL CHANNEL LEGRAND 25DTP SERIES OR EQUAL POWER POLE WITH TWO DUPLEX RECEPTACLES. WIRING TO BE 2#10 AWG & #10 GND, 3/4" C.
15. PROVIDE A DUAL CHANNEL LEGRAND 25DTP SERIES OR EQUAL POWER POLE WITH TWO DUPLEX RECEPTACLES. WIRING TO BE 2#12 AWG & #12 GND, 3/4" C.
16. PROVIDE POWER FOR MOTORIZED DOOR OPERATORS AND WIRING FROM OPERATORS TO PUSH PADS. COORDINATE WITH OWNER FOR EXACT LOCATIONS TO MOUNT PUSH PADS.
17. FURNISH & INSTALL A NEMA L6-20R RECEPTACLE MOUNTED 18" AFF. WIRING TO BE 2#12 AWG & #12 GND, 3/4" C.



1	ADDENDUM 1	1-9-18
0	ISSUED FOR CONSTRUCTION	12-20-17
REV	DESCRIPTION	DATE

ISSUED FOR CONSTRUCTION
 12-21-17

CURRENT ISSUE STATUS:

PROJECT NORTH:
 SMRT Architects and Engineers
 144 Fore Street
 Portland, Maine 04104
 1.877.700.7678
 www.smrtinc.com

MAINE MEDICAL CENTER
M.M.C. HUTCHINS DRIVE
RENOVATION
 102 HUTCHINS DRIVE, PORTLAND, ME

FIRST FLOOR
POWER PLAN

SHEET TITLE:
 0 1/4" 1/2" 1" 2" 3"

SCALE: AS NOTED

PROJECT MANAGER:	RSC	PROJECT NO.:	17123
A/E OF RECORD:	DJT		
JOB CAPTAIN:	SDL		
DRAWN BY:	CDS		
SMRT FILE:	EP101-17123	SHEET NO.:	EP101

FIRST FLOOR PLAN A1
 1/8" = 1'-0"