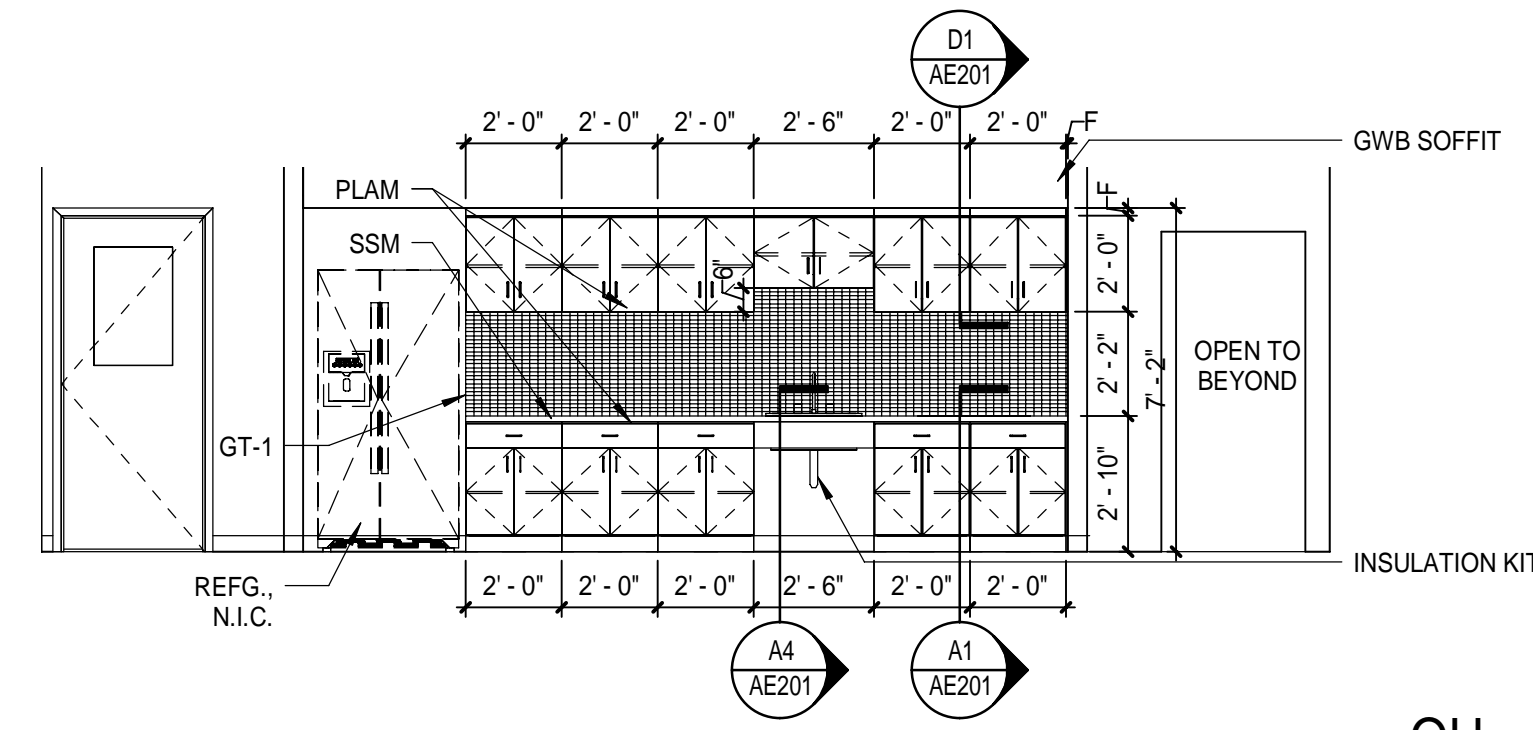
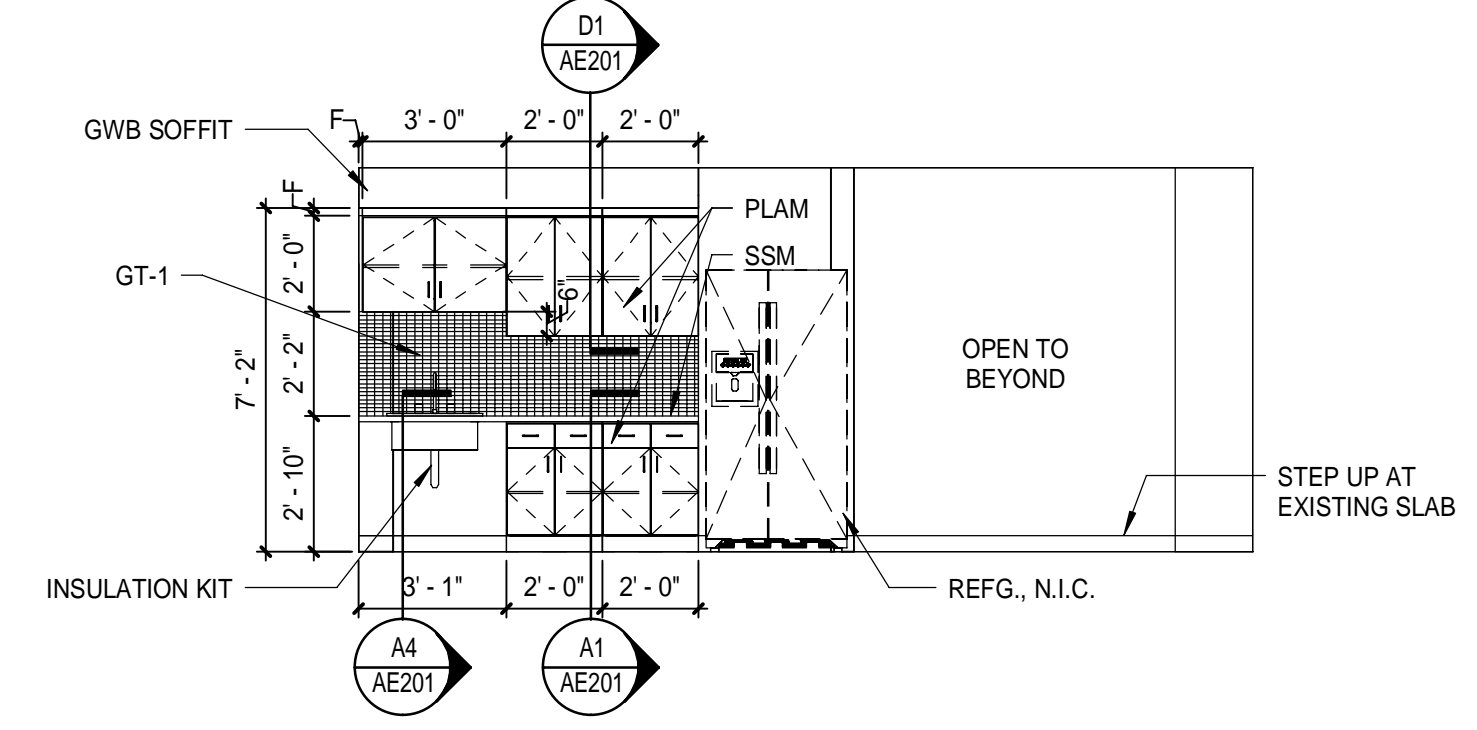


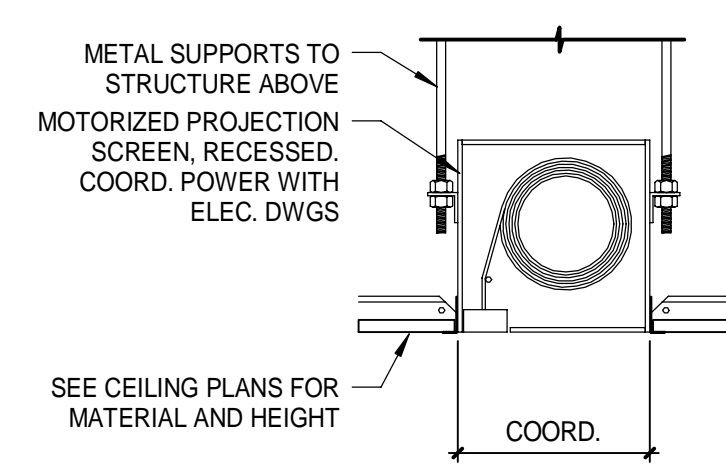
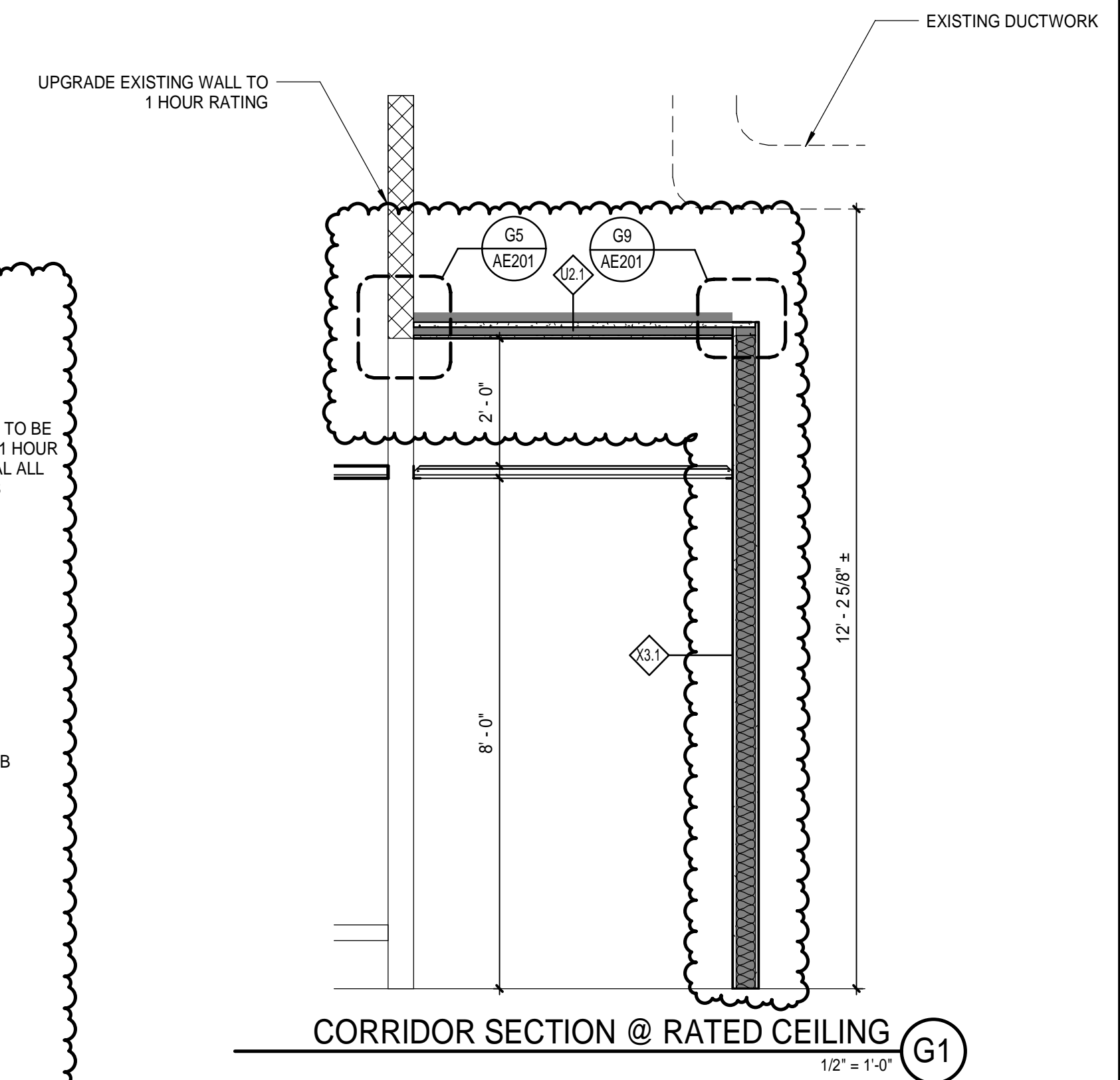
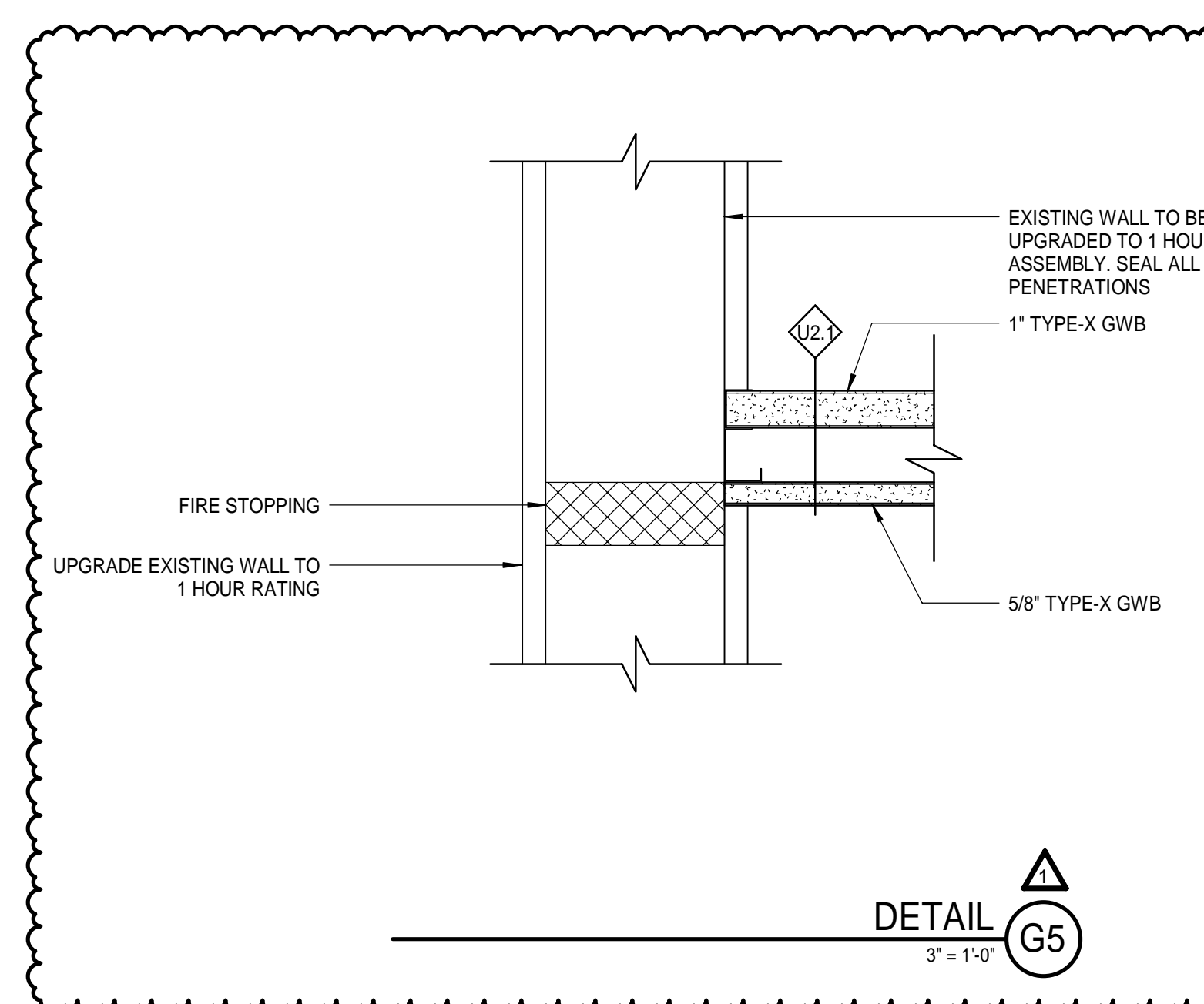
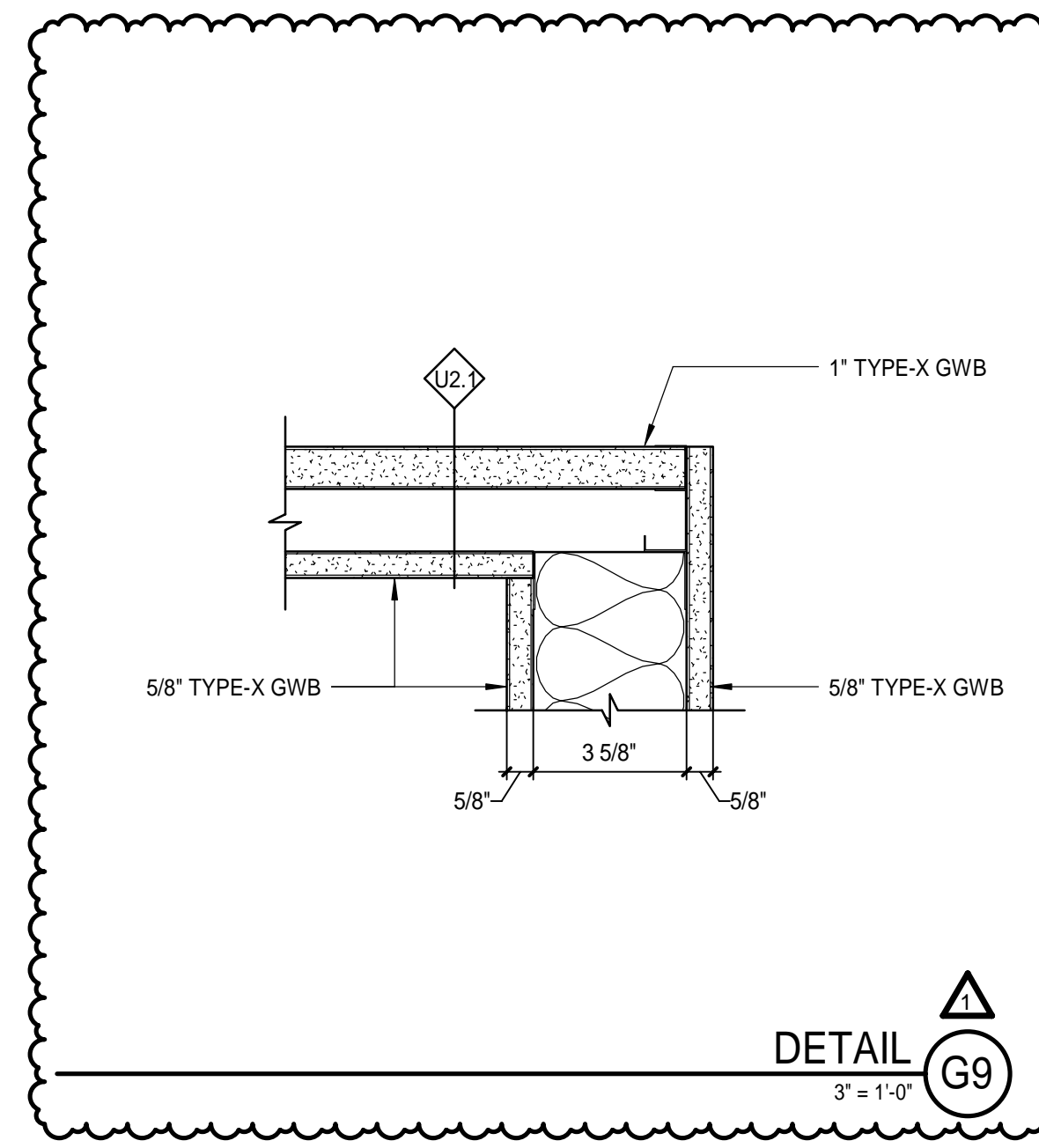
TYPICAL CONFERENCE ROOM (M10)
1/4" = 1'-0"



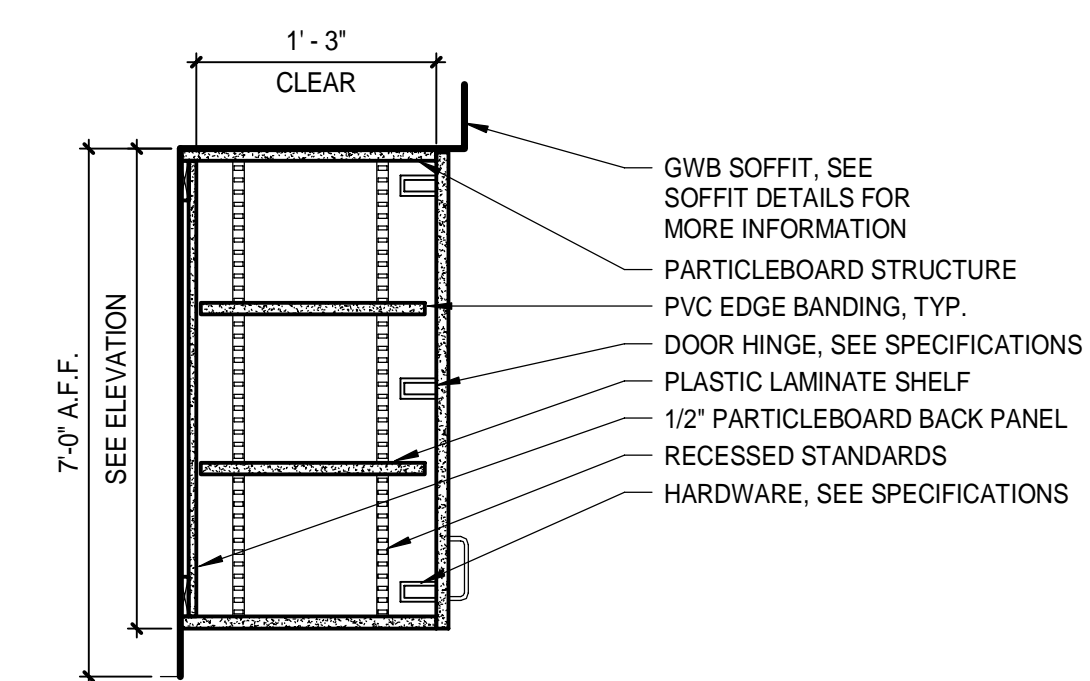
STAFF BREAK ROOM 2221 (2222 SIM. OH) (M5)
1/4" = 1'-0"



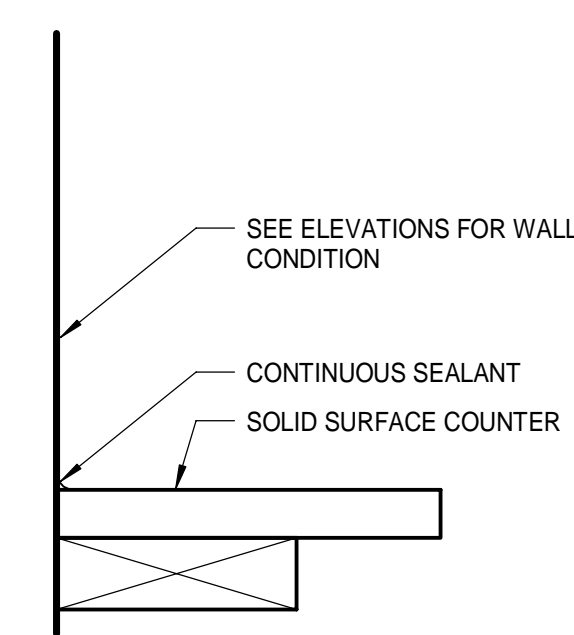
STAFF BREAK ROOM 1115 (M1)
1/4" = 1'-0"



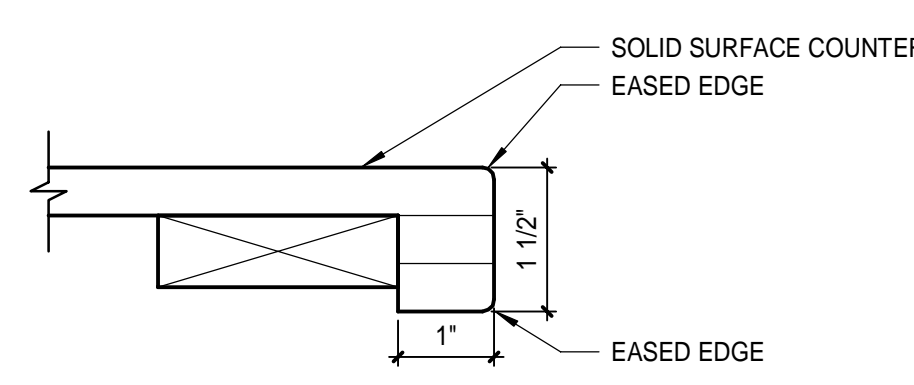
RECESSED PROJECTION SCREEN (D8)
1 1/2" = 1'-0"



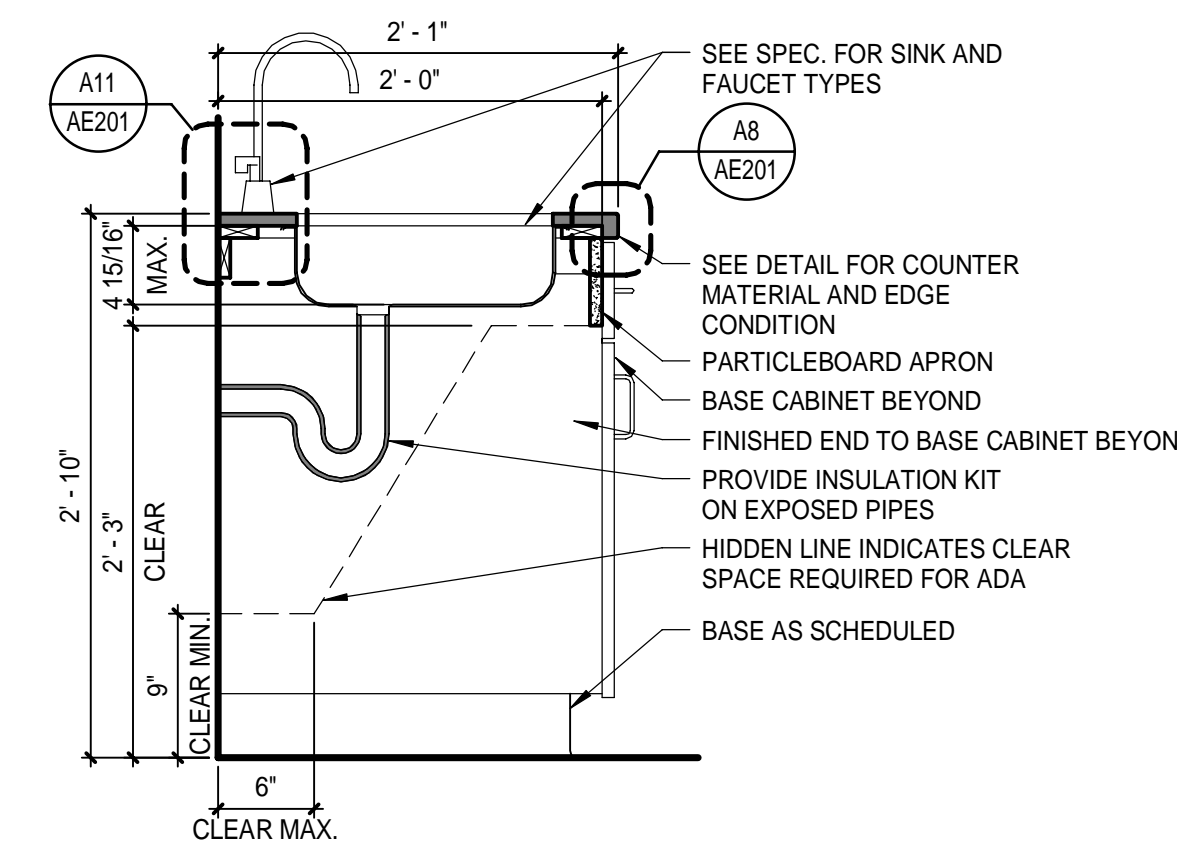
DETAIL D1
1" = 1'-0"



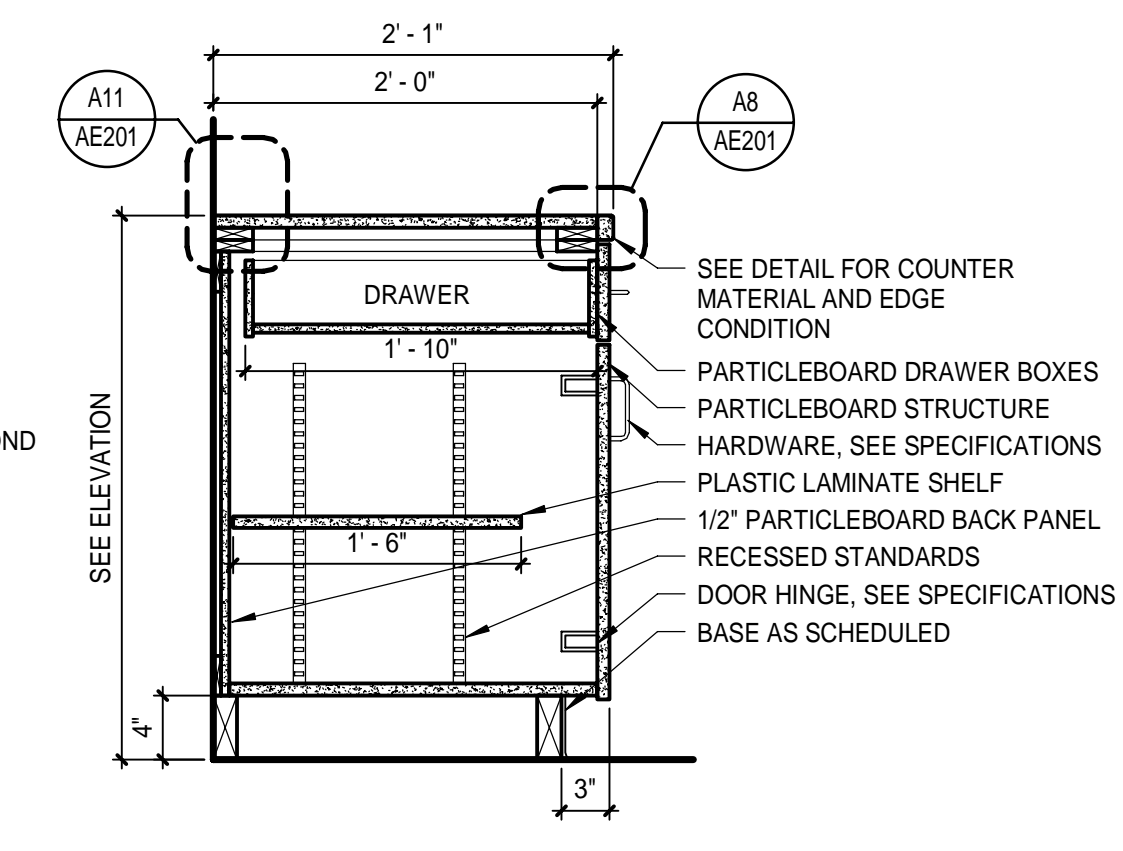
DETAIL A1
6" = 1'-0"



DETAIL A8
6" = 1'-0"



DETAIL A4
1" = 1'-0"

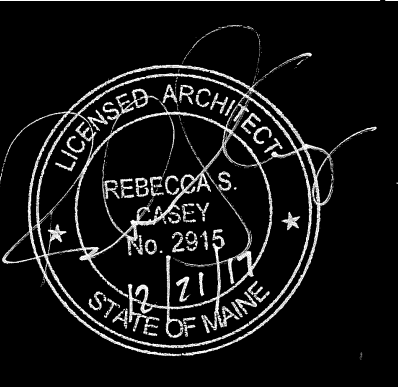


DETAIL A1
1" = 1'-0"

REV	DESCRIPTION	DATE
1	SUPPLEMENTAL INSTRUCTION 002	2-6-18
0	ISSUED FOR CONSTRUCTION	12-21-17

SUPPLEMENTAL INSTRUCTION 002
2-6-18

CURRENT ISSUE STATUS:

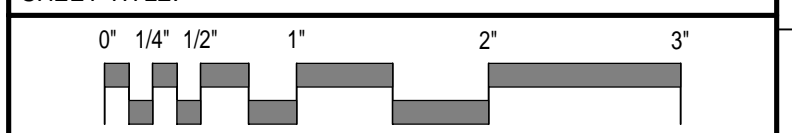


SMRT Architects and Engineers
144 Fore Street/P.O. Box 618
Portland, Maine 04104

ARCHITECTURE | ENGINEERING | PLANNING | INTERIORS | ENERGY

MAINE MEDICAL CENTER
M.M.C. HUTCHINS DRIVE
RENOVATION
PROJECT LOCATION
INTERIOR ELEVATIONS, WALL
SECTIONS AND DETAILS

SHEET TITLE:



SCALE: AS NOTED

PROJECT MANAGER: RSC	PROJECT NO: 17123
A/E OF RECORD: RSC	
JOB CAPTAIN: SDL	
DRAWN BY: SDL/JMM	
SMRT FILE: AE201-17123	SHEET No. 02

AE201