

DISPLAY THIS CARD ON PRINCIPAL FRONTAGE OF WORK



CITY OF PORTLAND

BUILDING PERMIT

This is to certify that PROTECTION ONE
of 10 Manuel Dr, Portland, ME 04103

For installation at 2445 CONGRESS ST
Racket & Fitness Center

Job ID: 2011-08-1920-FAFS

CBL: 239 - A - A - 001 - 001 - - - - -

has permission to install a Sprinkler Supervisory System

provided that the person or persons, firm or corporation accepting this permit shall comply with all of the provisions of the Statues of Maine and of the Ordinances of the City of Portland regulating the construction, maintenance and use of the buildings and structures, and of the application on file in the department.

Notification of inspection and written permission procured before this building or part thereof is lathed or otherwise closed-in. 48 HOUR NOTICE IS REQUIRED.

A final inspection must be completed by owner before this building or part thereof is occupied. If a certificate of occupancy is required, it must be

Bjornvall (58)

Fire Prevention Officer

Code Enforcement Officer / Plan Reviewer

**THIS CARD MUST BE POSTED ON THE STREET SIDE OF THE PROPERTY
PENALTY FOR REMOVING THIS CARD**

BUILDING PERMIT INSPECTION PROCEDURES

Please call 874-8703 or 874-8693 (ONLY)

or email: buildinginspections@portlandmaine.gov

With the issuance of this permit, the owner, builder or their designee is required to provide adequate notice to the city of Portland Inspections Services for the following inspections. Appointments must be requested 48 to 72 hours in advance of the required inspection. The inspection date will need to be confirmed by this office.

- **Please read the conditions of approval that is attached to this permit!! Contact this office if you have any questions.**
- **Permits expire in 6 months. If the project is not started or ceases for 6 months.**
- **If the inspection requirements are not followed as stated below additional fees may be incurred due to the issuance of a "Stop Work Order" and subsequent release to continue.**

The project cannot move to the next phase prior to the required inspection and approval to continue, REGARDLESS OF THE NOTICE OF CIRCUMSTANCES.

IF THE PERMIT REQUIRES A CERTIFICATE OF OCCUPANCY, IT MUST BE PAID FOR AND ISSUED TO THE OWNER OR DESIGNEE BEFORE THE SPACE MAY BE OCCUPIED.



PORTLAND MAINE

Strengthening a Remarkable City, Building a Community for Life • www.portlandmaine.gov

Director of Planning and Urban Development
Penny St. Louis

Job ID: 2011-08-1920-FAFS
Installation of a sprinkler supervisory
system

For installation at:
2445 CONGRESS ST
Racket & Fitness Center

CBL: 239 - A - A - 001 - 001 - - - -

Conditions of Approval:

Fire

This is a sprinkler supervisory system only and shall be provided in accordance with NFPA 101, *Life Safety Code*, and NFPA 72, *National Fire Alarm and Signaling Code*. Sprinkler supervisory system shall monitor for water flow and sprinkler supervisory signals via an approved fire alarm panel to central station. One smoke detector shall be located over the panel, a manual pull station located at the front door, and an audible water flow alarm provided.

There shall be no Central Station Alarm Number assigned.

The system shall comply with the City of Portland Standard for Signaling Systems for the Protection of Life and Property. All fire alarm installation and servicing companies shall have a Certificate of Fitness from the Fire Department.

In field installation shall be installed per code as conditions dictate.

Records cabinet, FACP, annunciator(s), and pull stations shall be keyed alike.

Central Station monitoring for addressable fire alarm systems shall be by point.

All fire alarm records required by NFPA 72 should be stored in an approved cabinet located at the FACP labeled "FIRE ALARM RECORDS".

Installation of a Fire Alarm system requires a Knox Box to be installed per city ordinance.

System acceptance and commissioning must be coordinated with alarm and suppression system contractors and the Fire Department. Call 874-8703 to schedule.

Fire Alarm system shall be maintained. If system is to be off line over 4 hours a fire watch shall be in place. Dispatch notification required 874-8576.

City of Portland, Maine - Building or Use Permit Application

389 Congress Street, 04101 Tel: (207) 874-8703, FAX: (207) 8716

Job No: 2011-08-1920-FAFS	Date Applied: 8/12/2011 g	CBL: 239 - A - A - 001 - 001 - - - - -	
Location of Construction: 2445 CONGRESS ST	Owner Name: RACKET & FITNESS CENTER INC	Owner Address: 2445 CONGRESS ST PORTLAND, ME - MAINE 04102	Phone:
Business Name: Racket & Fitness Center	Contractor Name: Protection One	Contractor Address: 10 Manor Drive, Portland, ME 04103	Phone: 332-1204
Lessee/Buyer's Name:	Phone:	Permit Type: Fire Alarm	Zone: I-M
Past Use: Indoor Recreational Use	Proposed Use: Same: Indoor Recreational Use - to install fire alarm	Cost of Work: \$2000.00	CEO District:
		Fire Dept: <input checked="" type="checkbox"/> Approved <i>w/conditions</i> <input type="checkbox"/> Denied <input type="checkbox"/> N/A	Inspection: Use Group: Type:
		Signature: <i>[Signature]</i> (58)	Signature:
Proposed Project Description: fire alarm		Pedestrian Activities District (P.A.D.)	
Permit Taken By: Gayle		Zoning Approval	

<p>1. This permit application does not preclude the Applicant(s) from meeting applicable State and Federal Rules.</p> <p>2. Building Permits do not include plumbing, septic or electrical work.</p> <p>3. Building permits are void if work is not started within six (6) months of the date of issuance. False informatin may invalidate a building permit and stop all work.</p>	Special Zone or Reviews <input type="checkbox"/> Shoreland <input type="checkbox"/> Wetlands <input type="checkbox"/> Flood Zone <input type="checkbox"/> Subdivision <input type="checkbox"/> Site Plan <input type="checkbox"/> Maj <input type="checkbox"/> Mjn <input type="checkbox"/> MM Date: <i>[Signature]</i> <i>8/19/11</i>	Zoning Appeal <input type="checkbox"/> Variance <input type="checkbox"/> Miscellaneous <input type="checkbox"/> Conditional Use <input type="checkbox"/> Interpretation <input type="checkbox"/> Approved <input type="checkbox"/> Denied Date:	Historic Preservation <input checked="" type="checkbox"/> Not in Dist or Landmark <input type="checkbox"/> Does not Require Review <input type="checkbox"/> Requires Review <input type="checkbox"/> Approved <input type="checkbox"/> Approved w/Conditions <input type="checkbox"/> Denied Date: <i>[Signature]</i>
	CERTIFICATION		

I hereby certify that I am the owner of record of the named property, or that the proposed work is authorized by the owner of record and that I have been authorized by the owner to make this application as his authorized agent and I agree to conform to all applicable laws of this jurisdiction. In addition, if a permit for work described in the application is issued, I certify that the code official's authorized representative shall have the authority to enter all areas covered by such permit at any reasonable hour to enforce the provision of the code(s) applicable to such permit.

SIGNATURE OF APPLICANT	ADDRESS	DATE	PHONE
RESPONSIBLE PERSON IN CHARGE OF WORK, TITLE		DATE	PHON

will send plans
by email
done
etc

#2011 08 1920



Fire Alarm Permit

If you or the property owner owes real estate or property taxes or user charges on any property within the city, payment arrangements must be made before permits of any kind are accepted.

Installation address: 2445 Congress St CBL: 239 AA001

Exact location: (within structure) closet behind main office in lobby Im

Type of occupancy(s) (NEPA & ICC): Business

Building owner: The Racket & Fitness Center

System Designer (point of contact): Kevin Inman
Must be

Designer phone: 207-332-1204 E-mail: kevininman@protection1.com

Installing contractor: Protection One Certificate of Fitness No: 1003

Contractor phone: 207-408-4849 E-mail: jasongervais@protection1.com

This is a new application: YES NO New AES Master Box: YES NO
(Include Master Box approval form)

Amendment to an existing permit: YES NO Permit no: _____

The following documents shall be provided with this application:

- Floor plans
- Wiring diagram
- Annunciator details
- Input/ Output Matrix
- Equipment data sheets
- Electrical Permit Pulled (check alarm/com)
- Scope of Work
- 11 1/2 x 17s
- pdf copy (may be e-mailed)
- Designer qualifications
- Battery/ voltage drop cales

Master box approval only: YES NO
(If yes check New AES Master Box above)

COST OF WORK: 2000 -

PERMIT FEE: \$40.00
(\$10 PER \$1,000 + \$30 FOR THE FIRST \$1,000)

RECEIVED

AUG - 8 2011

Dept. of Building Inspections
City of Portland Maine

The designer shall be the responsible party for this application. Download a new copy of this application at www.portlandmaine.gov/fire for every submittal. Submit all plans in electronic PDF in addition to readable 11 1/2 x 17s to the Building Inspections Department, 389 Congress Street, Room 315, Portland, Maine 04101.

Prior to acceptance of any fire alarm system, a complete commissioning and acceptance test must be coordinated with all fire system contractors and the Fire Department, and proper documentation of such test(s) provided.

All installation(s) must comply with the City of Portland Technical Standard for Signaling Systems for the Protection of Life and Property, available at www.portlandmaine.gov/fire.

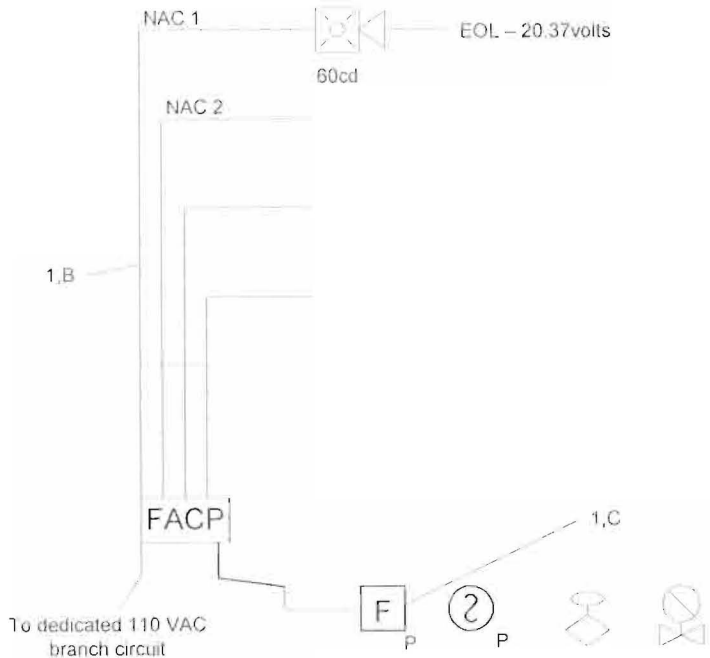
Applicant signature: [Signature] Date: 8-5-11

Protection One

Racket & Fitness

8/5/11

Device Riser



Wire Legend		
Description		
Letter	Gauge	Type
A	12/2	FPLR
B	14/2	FPLR
C	16/2	FPLR
D	18/2	FPLR
E	12/4	FPLR
F	14/4	FPLR
G	16/4	FPLR
H	18/4	FPLR
I	18/6	FPLR

Parts List				
	H/S	5		Gentex Horn/Strobe
	H/S	4		Gentex Wall Strobe
	Heat	2		Addressable Heat Detector
	P/S	8		Addressable Pull Station

Scope of Work – Rackett & Fitness Center

Fire alarm system – sprinkler monitoring

The Rackett & Fitness Center
2445 Congress St
Portland, Me

Install Fire Alarm panel with manual activation and Audio visual to monitor the existing sprinkler system.

Pull Station at front door

Annunciator at front door

Audio Visual in main lobby

FACP in front closet

Smoke detector above panel

Sprinkler Flow and Gate valve tamper addressable on panel



SILENT KNIGHT

5700 Calculations
Version 12.30.10

Global Project Values:

Project Name:
Project ID:
Prepared By:
Date:

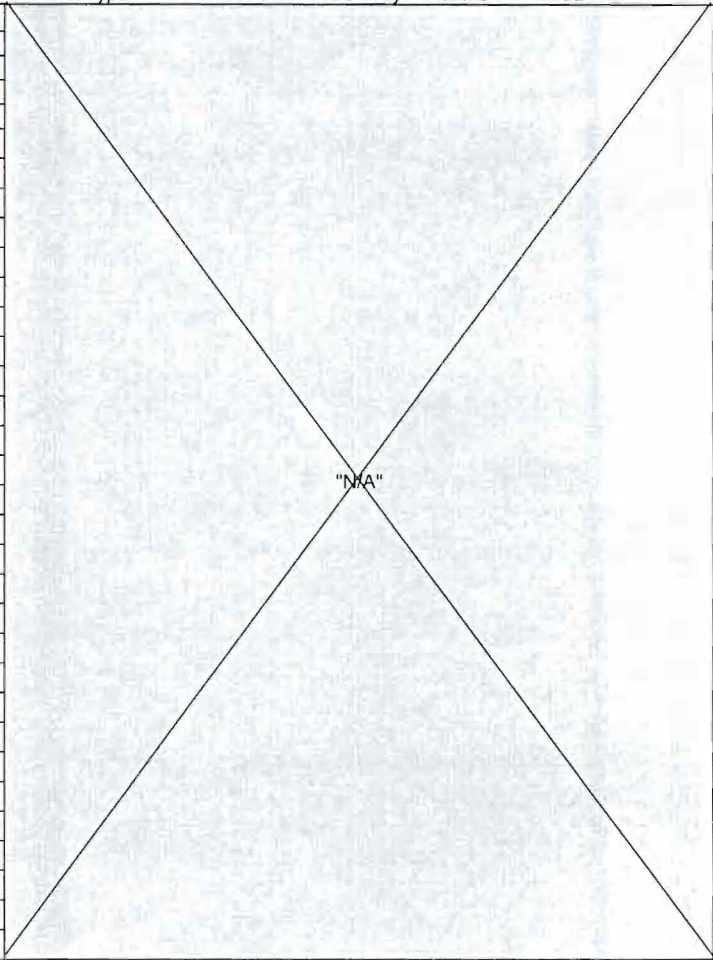
Standby Hours:
Alarm Mins:
Derating Factor:
Voltage Drop Warning
Threshold %:

Panel ID:
Location:

Model: 5700 Add. Fire Alarm Control Panel
Volts: 24 VDC

Max NAC Current: 2.5 Amps
Max Panel Current: 2.5 Amps

Ckt.#	Circuit Name	Qty	Current Draw		Wire AWG & Type	Ohms Per 1000 Ft.	Length(ft) One-Way	Actual Ohms	Volts @ EOL	%Drop
			Standby	Alarm						
5700	5700 CTRL Panel	1	0.200	0.325						
SK	Photo, Photo-T	1	0.000	0.000						
SK	Ion		0.000	0.000						
SK	Heat, Heat-HT		0.000	0.000						
SK	Heat ROR		0.000	0.000						
SK	Beam, Beam-T		0.000	0.000						
SK	Duct		0.000	0.000						
SK	Acclimate		0.000	0.000						
SK	Control		0.000	0.000						
SK	Control-6		0.000	0.000						
SK	Monitor, Minimon	2	0.001	0.001						
SK	Monitor-2		0.000	0.000						
SK	Monitor-10		0.000	0.000						
SK	Pull-SA, Pull-DA	1	0.000	0.000						
SK	Relay		0.000	0.000						
SK	Relay-6		0.000	0.000						
SK	Zone		0.000	0.000						
SK	Zone-6		0.000	0.000						
SK	Isolator Module		0.000	0.000						
SSB224BI	Isolator Base		0.000	0.000						
B200SR	Sounder Base		0.000	0.000						
SSB224RB	Relay Base		0.000	0.000						
SSRTS151	Magnetic Remote Test		0.000	0.000						
SSRTS151KEY	Key Activated Test		0.000	0.000						
SSRA100Z	Remote LED		0.000	0.000						
5860	LCD Remote Annunc.	1	0.020	0.025						
5824	LCD Remote Annunc.		0.000	0.000						
5496	Power Expander		0.000	0.000						
5895XL	Power Expander		0.000	0.000						
5865-3	LED Annunciator (3G)		0.000	0.000						
5865-4	LED Annunciator (4G)		0.000	0.000						
5880	LED Driver Module		0.000	0.000						
5883	Relay Module		0.000	0.000						
NAC #1	Notification Appl Circuit		0.000	0.221	#14 Solid	2.52	25	0.13	20.37	0.14%
NAC #2	Notification Appl Circuit		0.000	0.000	#12 Solid	1.59		0.00	20.40	0.00%
Total Standby Current (Amps)			0.221	0.572	Total Alarm Current (Amps)					
Standby Time In Hours			24	0.083	Alarm Time In Minutes / 60		(5 Mins)			
Total Standby AH Required			5.313	0.048	Total Alarm AH Required					
Total Combined AH Required			5.36							
Multiply By The Derating Factor			1.20							
Minimum Battery AmpHours Required			6.43							



Command Shortcuts

Configure Circuits

Print Page



IntelliKnight® Model 5700 Single Loop Addressable Fire Alarm Control System



The affordable addressable fire alarm control panel solution.

IntelliKnight Model 5700 is a 50 point class leading single loop addressable fire alarm control/communicator system. 5700 provides you with the revolutionary value and performance of addressable sensing technology combined with exclusive, built-in digital communication, distributed intelligent power, that includes an easy to use interface. Powerful features such as drift compensation and maintenance alert are delivered in this powerful FACP from Silent Knight.

For more information about the IntelliKnight system, or to locate your nearest source, please call 1-800-446-6444, or in Minnesota, call 763-493-6435.

Description

5700 performs drift compensation and calibration checks on each of the sensors in the system.

The basic IntelliKnight 5700 system can be enhanced by adding modules such as 5860 remote annunciator, 5824 serial/parallel printer interface module (for printing system reports), and 5496 intelligent power module. 5700 also features a powerful built-in dual line fire communicator that allows for reporting of all system activity to a remote monitoring location.

Features

- Up to 50 addressable points
- Up to 125 zones and 125 output groups
- Uses standard wire—no shielded or twisted pair required
- Built-in digital communicator
- Central station reporting by point or by zone
- Supports Class B (Style 4) and Class A (Style 6 or 7) configuration for SLC
- Distributed, intelligent power
- Drift compensation
- 13 pre-programmed output cadences (including ANSI-3.41) and 4 programmable outputs
- Notification circuits configurable as 1 Class A (Style Z) or 2 Class B (Style Y), or auxiliary power for resettable, constant, or door holder power
- Built-in synchronization for AMSECO, Gentex®, Faraday, System Sensor® and Wheelock® appliances
- Built-in annunciator with 80-character LCD display

- RS-485 bus provides communication to system accessories
- Upload or download programming, event history, or detector status onsite or from a remote location using a PC and 5660 Silent Knight Software Suite (SKSS)
- Improvements in SKSS deliver five times faster upload/downloads
- Built-in RS-232 interface for programming via PC
- Built-in Form C trouble relay rated at 2.5A at 27.4 VDC
- Two built-in Form C programmable relays rated at 2.5A at 27.4 VDC
- Programmable date setting for Daylight Saving Time

Electrical Specifications

Primary AC: 120 VAC, 60 Hz, 1.5A
 Total Accessory Load: 2.5A @ 27.4 VDC
 Notification Power: 2.5A @ 27.4 VDC, power-limited
 Standby Current: 200 mA
 Alarm Current: 325 mA
 Notification/Aux Power Circuits: 2.5A @ 27.4 VDC per circuit, power-limited
 Battery Charging Capacity: 7.0-35.0 AH
 Battery Size: 7 AH max. allowed in FACP cabinet. Larger capacity batteries can be housed in an RBB accessory cabinet.

Mechanical Specifications

Dimensions:
 12.75" W x 15.2" H x 3.4" D
 (32.39 W x 38.42 H x 8.57 D cm)
 Weight: 11.5 lbs. (5.2 kg)
 Color: Red



Model 5700

Telephone Requirements:

FCC Part 15 and Part 68 approved
 Type of Jack: RJ31X (two required)

Approvals

NFPA 13, NFPA 15, NFPA 16, NFPA 70, & NFPA 72: Central Station; Remote Signalling; Local Protective Signalling Systems; Auxiliary Protected Premises Unit; & Water Deluge Releasing Service. Suitable for automatic, manual, waterflow, sprinkler supervisory (DACT non-coded) signalling services.

Other Approvals: UL Listed;
 CSFM 7170-0559: 144;
 MEA 429-92-E Vol. XVI.



SILENT
KNIGHT

by Honeywell

SLC Detectors

SD505-APS

Addressable photoelectric smoke detector

SD505-AIS

Addressable ionization smoke detector

SD505-AHS

Absolute temperature heat detector that goes into alarm immediately if the temperature exceeds the programmable trip point. Trip point range from 135°F-150°F (0°C-37°C)

SD505-6AB

Six inch base for use with detector heads SD505-APS, SD505-AIS and SD505-AHS

SD505-4AB

Four inch base for use with detector heads SD505-APS, SD505-AIS, and SD505-AHS.

SD505-6SB

Six-inch sounder base for use with existing sensor and base. Operates in single and multi-station modes and/or as a system sounder. Requires 2 additional wires for power.

SD505-6IB

Short circuit isolator base for SD505-AHS, SD505-APS, and SD505-AIS detectors.

SD505-6RB

Six-inch relay base for use with existing sensor and base. Provides one Form C contact.

SD505-ADH

Duct housing that detects smoke in HVAC ducts.

SD505-ADHR

Duct detector base with relay. Provides Form C alarm contact. For use with SD505-APS and SD505-AIS sensors. Compatible with SD505-DTS remote test switch

SD500-PS/SD500-PSDA

SD500-PS is a single action pull station and SD500-PSDA is a dual action pull station

SLC Modules

Model SD500-AIM

Dry contact input module for use with normally open dry contacts. It features an indicator LED to show alarm status.

SD500-MIM

Mini dry contact input module is a small version of the SD500-AIM. For use with pull stations and other normally open dry contact inputs.

SD500-ANM

Addressable notification module providing a single Class A or Class B notification circuit on the SLC.

SD500-ARM

Addressable relay module that features two Form C output relays. Provides indicator LED to show output status

SD500-SDM

Two-wire detector input module. Allows for the connection of conventional 2-wire detectors on the SLC loop. Requires two additional wires for power.

SD500-LIM

A short circuit isolator module for SLC devices. When a short occurs on the SLC loop, it is detected as a trouble, but all SLC devices protected by the isolator module continue to operate.

SD500-LED

An LED driver capable of driving 80 LEDs through the SLC loop. Up to 40 SD500-LEDs can be used per system.

S-BUS Accessories

5860/R Remote Fire Annunciator

Features the same 80 character backlit LCD display keypad and firefighter's key switch as the 5700. The system can be fully programmed and operated from any 5860. 5860 is gray and 5860R is red.

5496 Intelligent Power Module

A 6 amp notification power expander that provides four additional power-limited notification appliance circuit outputs.

5880 LED/IO Module

Features 40 LED outputs, 8 normally open dry contact inputs and one piezo output.



5865-3 and 5865-4 Remote LED Annunciator

Features 30 Programmable LED (15 red and 15 yellow) outputs and a piezo sounder. The 5865-4 adds a silence and reset switch to the package.

5883 Relay Board

Features 10 general purpose Form C relays. Used with 5880 module.

5824 Serial/Parallel Printer Interface Module

Provides one parallel and one RS-232 serial port for connecting a printer to 5808. Use to print a real-time log of system events, detector status reports, and event history. Interfaces with building control system.

Miscellaneous Accessories

5660 Silent Knight Software Suite

User-friendly Windows software for remote programming of 5700s using a PC. Upload and view panel account information, event history, and detector status.

5670 Silent Knight Software Suite

End-user facility management software allows viewing of detector status and event history via modem or direct connection.

RBB

Remote Battery Box Accessory Cabinet. Use if backup batteries are too large to fit into FACP cabinet. Dimensions: 16" W x 10" H x 6" D (406 mm W x 254 mm H x 152 mm D)

SD505-DTS

Remote test switch that provides remote key operated test function and annunciation of detector alarm with SD505-ADHR.



This document is not intended to be used for installation purposes. We try to keep our product information up-to-date and accurate. We cannot cover all specific applications or anticipate all requirements. All specifications are subject to change without notice. For more information, contact Silent Knight 7550 Mendian Circle Suite 100, Maple Grove, Mn 55369-4927. Phone: (800) 328-0103, Fax (763) 493-6475.

MADE IN AMERICA
FORM# 350392 Rev. D 04/06
Copyright © 2006 Silent Knight

IntelliKnight & JumpStart are Registered Trademarks of Silent Knight
Flexput is a Trademark of Silent Knight



5860 Remote Annunciator



Bring the power to control an IntelliKnight fire alarm control panel to every area within your facility.

Now you can operate and program your IntelliKnight system from up to eight locations throughout your facility. The 5860 remote annunciator provides the same advanced, easy-to-use interface found on the IntelliKnight panel's built-in annunciator. The 80-character display and

ergonomically designed keypad allow for simple and error-free system operation. All operations—including reset, silence, detector status checking, fire drill, and programming—are identical.

Access to the system is through a firefighter's key or an access code. For security, a special installation code is needed for programming functions. The 5860 connects to the IntelliKnight panel via the RS-485 system bus. Wire runs can be up to 6000 feet from the panel.

For more information about the IntelliKnight system, or to locate your nearest source, please call 1-800-446-6444, or in Minnesota, call 763-493-6435.

Description

Features include an 80-character backlit LCD providing easy-to-understand system messages. The annunciator is ergonomically designed with over-sized buttons for the most frequently used features, like Reset and Silence. In addition to status messages displayed on the LCD, there are five LEDs for alarm, supervisory, trouble, silence, and AC power status.

The annunciator is available in gray to match virtually any decor and red for applications where the annunciator must stand out. The annunciator enclosure can be surface or flush mounted. A trim ring kit is available for surface mounting.

Features

- 80-character backlit LCD display (4 lines with 20 characters on each line)
- Tactile and audible feedback
- Accepts user codes or fire fighter's key
- Larger keypad buttons for system reset and silence
- Install up to eight 5860s per FACP

- Available in red or light gray
- Support for simultaneous use of multiple 5860s
- RS-485 interface to panel
- Operation and appearance is identical to 5860 built-in annunciator
- On-board piezo sounder audibly indicates alarms, troubles, and supervisories
- Five status LEDs for alarm, supervisory, trouble, silence and AC power conditions
- Wiring lengths up to 6000 ft. from the FACP (depending on wire gauge and number of devices on SBUS)
- UL listed, complies with NFPA 72
- CSFM approved

Electrical Specifications

Operating Voltage: 24 VDC
Standby Current: 20 mA max
Alarm Current: 25 mA

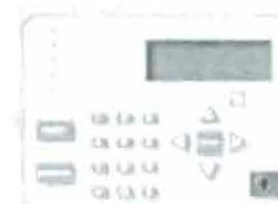
Wiring Distance: 6,000 max. from FACP (depending on wire gauge and number of devices on the SBUS)

Max Per System: 8

Mechanical Specifications

Physical 9.1" W x 7.4" H x 1.5" D
(23.1 W x 18.8 H x 3.8 D cm)

Shipping Weight: 2.8 lbs (1.3 kg)



5860

Color

5860R: Red
5860: Gray

Environmental

Operating Temperature: 32°F – 120°F (0°C – 49°C)

Humidity: 10% – 93% non-condensing

Approvals

NFPA 72; UL Listed;
CSFM 7170-0559; 135;
MEA 429-92-E Vol. IX;
FM Approved



5860 Remote Annunciator



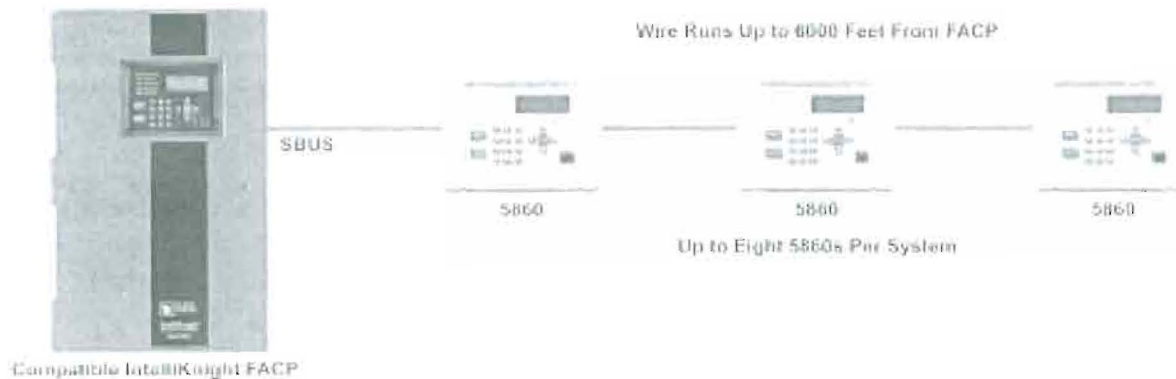
Engineering Specifications

The main control must have a built-in annunciator and must support up to eight remote annunciators. Remote annunciators shall have the same control and display layout so as to match the appearance of the built-in annunciator. Remote annunciators shall be available in two colors, red or light gray.

Remote annunciators shall have identical functionality and operation as the built-in annunciator. All annunciators must have an 80-character LCD display and must feature five LEDs for: General Alarm, Supervisory, System Trouble, System Silence, and System Power.

All controls and programming keys are silicone mechanical type with tactile and audible feedback. Keys have a travel of .040 inches. No membrane style buttons will be permissible.

The annunciator must be able to silence and reset alarms through the use of a code entered on the annunciator keypad or by using a firefighter's key. The annunciator must have two levels of user codes that will limit the operating system programming to authorized individuals. The control panel must allow all annunciators to accommodate multiple user input simultaneously.



Compatibility

IntelliKnight 5820XL FACP
IntelliKnight 5808 FACP
IntelliKnight 5700 FACP

Ordering Information

5680R Remote Annunciator
Four line LCD annunciator with 20 characters per line. Red.

5680 Remote Annunciator.
Four line LCD annunciator with 20 characters per line. Gray.

Accessories

5860TR Red Trim Ring
For surface mounting.

5860TG Gray Trim Ring
For surface mounting.



This document is not intended to be used for installation purposes. We try to keep our product information up-to-date and accurate. We cannot cover all specific applications or anticipate all requirements. All specifications are subject to change without notice. For more information, contact Silent Knight 7550 Meridian Circle Suite 100, Maple Grove, MN 55369-4927. Phone: (800) 328-0103, Fax (763) 493-6475.

MADE IN AMERICA

FORM# 350224 Rev C. 05/06

© 2007 Honeywell International Inc.



Addressable Photoelectric Type Smoke Detector



Detect smoldering fires quickly and get help fast with IntelliKnight® photoelectric smoke detectors.

IntelliKnight addressable photoelectric smoke detectors are the clear choice for commercial settings where smoldering fires are a threat. In addition to accurately detecting a smoldering fire, each SD505-APS photoelectric detector has a unique address, which is recognized by the IntelliKnight panel. No precious seconds are wasted in determining location of an alarm.

The SD505-APS compensates automatically for contamination in the environment. And detector testing is simple—even from a remote site. Like other IntelliKnight detector models, the SD505-APS offers a low profile for pleasing aesthetics. The IntelliKnight family of detectors has been designed to use a common base, Model SD505-6AB, allowing complete application and placement flexibility. Combine all this with the features you've come to expect from Silent Knight smoke detectors—easy installation, stable operation, RF/transient protection, and vandal-resistant locking—and it adds up to a flexible solution for all your fire protection needs.

Model SD505-APS Analog / Addressable Photoelectric Type Smoke Detector

The SD505-APS is particularly suited to detecting dense smoke typical of fires involving materials such as soft furnishings, plastic, foam or other similar materials which tend to smolder and produce large visible particles.

The detector features automatic compensation for contamination and a simple detector calibration test procedure that can be run from the panel or remotely (using the Windows™ based downloading software).

Operation

The SD505-APS units made up of an LED light source and a silicon photo diode receiving element. In a normal standby condition, the receiving element receives no light from the pulsing light source. In the event of fire, smoke enters the detector and light is reflected from the smoke particles to the receiving element.

The light received is converted into an electronic signal. Under normal conditions, the status LED blinks approximately every 15 seconds, indicating that the head is communicating with the loop. The LED lights continuously during the alarm period.

Features

- Low profile, 2 inches, including base
- Simple and reliable addressing without mechanical switches
- Automatic compensation for sensor contamination
- Built-in fire test feature
- Simple detector calibration testing through the control panel or remotely through a Windows™ based computer software.
- Vandal-resistance locking features
- Field cleanable
- UL listed, meets NFPA 72 Ch 7 requirements
- CSFM approved
- MEA approved
- FM Approved



SD505-APS Smoke Detector

Specifications

Operating Voltage: 17-41 VDC

Current Consumption:

Standby:	.55 mA
Alarm:	.55 mA

Ambient Temperature: 32°F to 120°F
(0°C to 49°C)

Mounting: 4" Square, 4" OCT, Single gang mud ring

Relative Humidity: 85% noncondensing

Air Velocity: 0 - 300 FPM

Compatible Bases: SD505-6AB
(Sold Separately) (6" Base)
SD505-4AB
(4" Base)



**SILENT
KNIGHT**

by Honeywell

Model SD505-APS Addressable Photoelectric Type Smoke Detector



Engineering Specifications

The contractor shall furnish and install where indicated on the plans, addressable photoelectric smoke detector Silent Knight SD505-APS. The combination detector head, and twist-lock base, shall be UL[®] listed compatible with Silent Knight's IntelliKnight fire control panels.

The base shall permit direct interchange with Silent Knight SD505-AIS Ionization Smoke Detector, or SD505-AHS Heat Detector. Base shall be the appropriate twist-lock base SD505-6AB.

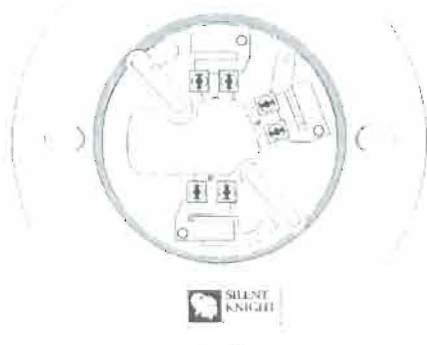
The smoke detector shall have a flashing status LED for visual supervision. When the detector is actuated, the flashing LED will latch on steady. The detector may be reset by actuating the control panel reset switch.

The calibration of the detector shall be capable of being selected and measured by the control panel without the need for external test apparatus.

The vandal-resistant, security locking feature shall be used in those areas as indicated on the drawing. The locking feature shall be field selectable as required.

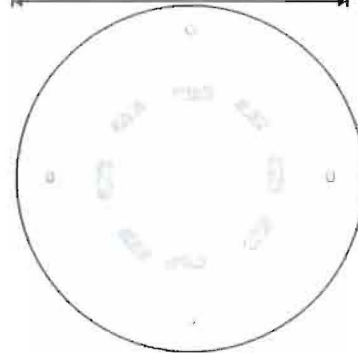
The SD505-APS shall automatically perform a functional test of the detector. The test method shall simulate effects of products of combustion in the chamber to ensure testing of detector circuits.

Diameter = 5-15/16"



**Model SD505-6AB Detector Base
(front view)**

Diameter = 3-15/16"



Height = 2 inches,
including base

**Model SD505-APS Detector Head
(front view)**



**SILENT
KNIGHT**

by Honeywell

This document is not intended to be used for installation purposes. We try to keep our product information up-to-date and accurate. We cannot cover all specific applications or anticipate all requirements. All specifications are subject to change without notice. For more information, contact Silent Knight 7550 Meridian Circle Suite 100, Maple Grove, Mn 55369-4927. Phone: (800) 328-0103, Fax: (763) 493-6475.

MADE IN AMERICA

FORM# 350225 Rev C, 05/05

Copyright © 2005 Silent Knight



SD500-PS and SD500-PSDA Addressable Pull-Station



IntelliKnight's addressable pull stations combine fast response with pin-point location ID.

The SD500-PS and SD500-PSDA are a single action or dual action addressable manual fire alarm pull station for use with Silent Knight's IntelliKnight fire control panel. Extremely easy to operate, the SD500-PS/PSDA provides a fast and practical means of manually initiating a fire alarm signal. The IntelliKnight panel recognizes each manual pull station by its specific address saving precious seconds in determining the location of an alarm. The SD500-PS/PSDA mounts to a single gang box and features a rugged metal construction that lasts and lasts.

Combine all this with the features you've come to expect from Silent Knight - easy installation and stable operation - and it adds up to a flexible solution for all your fire protection needs.

Model SD500-PS & SD500-PSDA Addressable Pull Station

The SD500-PS is a single action addressable fire pull station, and the SD500-PSDA is a dual action addressable fire pull station. The SD500-PS/PSDA feature rugged metal construction. A terminal strip on back of the pull station allows interconnection of the pull station to the SLC of an IntelliKnight control panel. The SD500-PS/PSDA is designed for indoor use in non-explosive environments. The normally open initiating point contacts are gold-plated to avoid risk of corrosion. The SD500-PS/PSDA has been tested by UL for compliance to the requirements of the Americans with Disabilities ACT (ADA).

Features

- UL Listed
- CSFM listed
- ADA compliant
- Key reset (Same key as Silent Knight enclosures)
- Surface mount back box available
- Terminals - accept up to 14 gauge wire

- Extremely easy to operate
- Corrosion-resistant gold-plated contacts.
- Reflective label makes it easier to locate in low light

Operation

The SD500-PS/PSDA single action pull stations are operated by a pull on the front pull cover of the station. A plunger switch, wired to a self contained addressable module, is released as the pull station opens to initiate the alarm. Once operated, the cover hangs down and can be seen up to 100 feet away. The pull station is reset by returning the front cover to the normal upright position and relocking the station with a reset key. The reset keys are the same keys used on Silent Knight enclosures.

The SD500-PS/PSDA includes a status LED which blinks, indicating that the addressable module is communicating with the loop. The status LED lights continuously during an alarm. A dip switch on the addressable module is used to set the unique address.

Specifications

Operating Voltage:	24VDC
Standby Current:	.55mA
Alarm Current:	.55mA



SD500-PS

Ambient Temperature:	32°F to 120°F (0°C to 49°C)
Mounting:	Single gang box -
Optional Red Surface Mount Box PS-SMBB	



**SILENT
KNIGHT**

Model SD500-PS

SD500-PS and SD500-PSDA Addressable Pull-Station

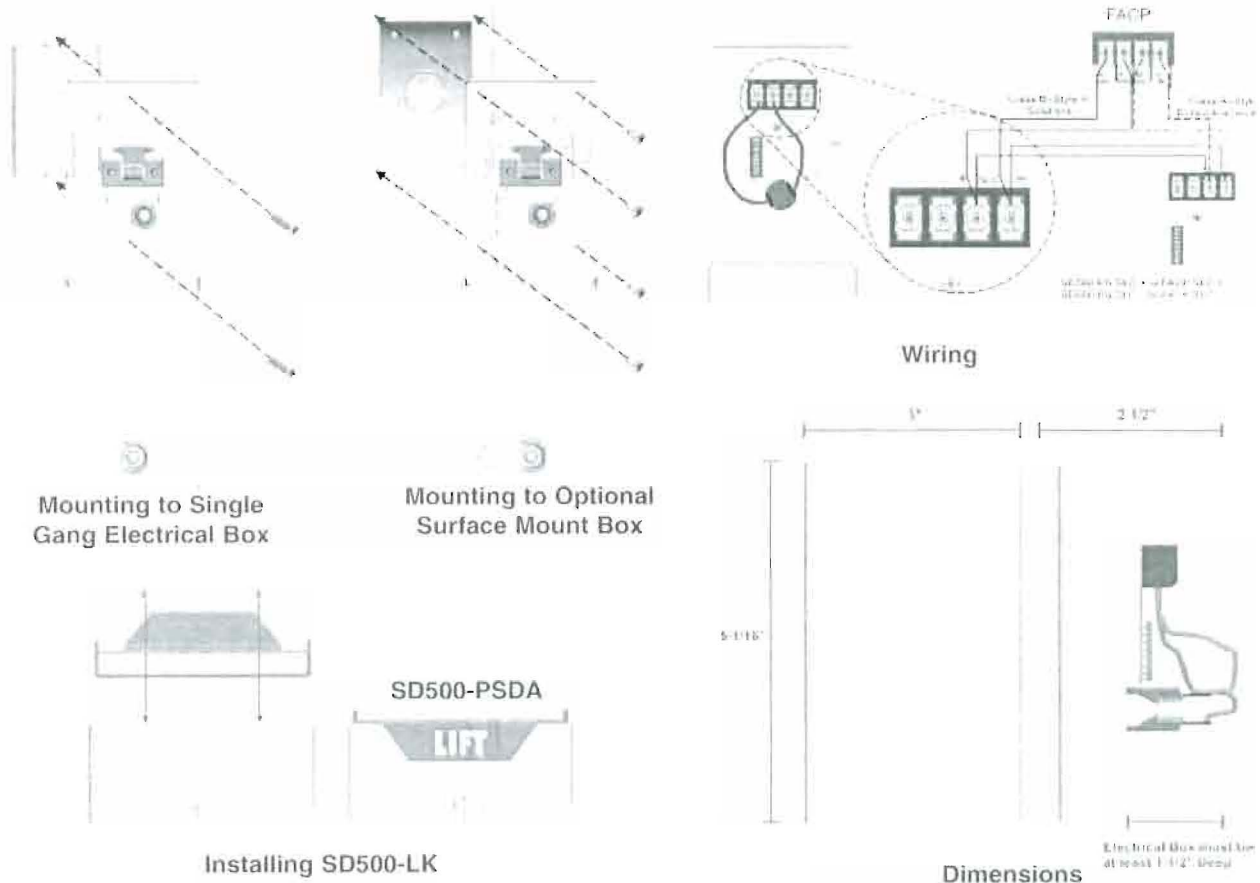


Engineering Specifications

Manual pull station shall be addressable Module SD500-PS/SD500-PSDA. Equipment shall be made of 14 gauge C.R.S.(Cold Rolled Steel), painted with a red enamel . The label shall contain the words Fire Alarm and be made of a reflective material embossed text 3/8 inches tall. Operating instruction shall be clearly visible on the same label. Manual station Shall contain a key operated test and reset lock using a lock plate actuator, the key shall match the control panel.

Manual station shall contain four terminal blocks with two connected to the addressable module and two connect to the SLC loop. Manual station shall provide data to the control panel with an ID address programmed by dip switch settings

Manual stations shall be Underwriters Laboratories Inc. listed and installed within the limits defined in the American Disabilities Act.



7550 Meridian Circle, Maple Grove, MN 55369-4927
800-446-6444 or in Minnesota 763-493-6435
 FAX: 763-493-6475
 World Wide Web: <http://www.silentknight.com>

MADE IN AMERICA
 FORM# 350342, Rev. 09/03
 Copyright © 2003 Silent Knight



SD500-AIM & SD500-MIM Addressable Input Modules



IntelliKnight's addressable contact monitor modules combine fast response with pinpoint location ID. A combination that saves lives and property.

The SD500-AIM and SD500-MIM are addressable input modules for use with Silent Knight IntelliKnight fire alarm control panels (FACP). The SD500-AIM and SD500-MIM are designed to be used with pull stations, water flow switches, and other applications requiring dry contact alarm initiation devices.

The SD500-AIM addressable input module mounts to a 4"-square box. The SD500-MIM mini input module fits inside a single gang box. The modules are supervised, single input contact monitors. Using an EOL resistor, they monitor for alarm contact closures and for open circuit wiring fault conditions.

The SD500-AIM and SD500-MIM offer a compact design for adaptability and pleasing aesthetics as well as easy installation and stable operation—a flexible solution for all your fire protection needs.

The SD500-AIM and SD500-MIM offer a compact design for adaptability and pleasing aesthetics as well as easy installation and stable operation—a flexible solution for all your fire protection needs.

For more information about the IntelliKnight system, or to locate your nearest source, please call 1-800-446-6444, or in Minnesota, call 763-493-6435.

Description

The SD500-AIM and SD500-MIM are addressable input modules for use with the IntelliKnight fire alarm control panels (FACPs). The SD500-AIM addressable input module mounts to a 4"-square box. The SD500-MIM mini input module fits inside a single gang box. Both input modules are designed to be used with pull stations, water flow switches, and other applications requiring dry contact alarm initiation devices.

These modules are supervised, single input contact monitors. Using an EOL resistor, they monitor for alarm contact closures and for open circuit wiring fault conditions. If a fault occurs in the wiring, the module alerts the FACP. Each addressable input module is programmed with a unique signal line circuit (SLC) loop address.

Features

- Single contact monitor
- SD500-AIM supports Class A (Style D) or Class B (Style B) contact monitor wiring
- SD500-MIM support for Class B (Style B) contact monitor wiring
- Attractive ivory cover plate with the SD500-AIM
- Small and lightweight size allows for flexible mounting options with the SD500-MIM

- DIP switch programmable for fast installation
- Up to 2500 ft wiring distance from either input module to contact
- Use up to 14 gauge wire
- UL listed

Electrical Specifications

Standby Current: 0.55 mA

Alarm Current: 23 mA max for one device; 46 mA max for two devices; 0.55 mA for each additional device

Line Resistance: 50Ω max

Mechanical Specifications

SD500-AIM Physical Description

Dimensions:
4.9" W x 4.9" H x 1" D
(12.4 W x 12.4 H x 2.5 D cm)
Weight: 3.6 oz (120.1 g)
Color: Ivory cover plate

SD500-MIM Physical Description

Dimensions:
1.5" W x 2.5" H x 0.7" D
(3.8 W x 6.4 H x 1.8 D cm)
Weight: 1.6 oz (45.4 g)

Environmental

Operating Temperature:
32°F – 120°F (0°C – 49°C)

Humidity:
10% – 93% non-condensing



SD500-AIM



SD500-MIM

Approvals

NFPA 71 & NFPA 72
UL 864
CSFM 7300-0559: 132
MEA 429-92-E Vol. IX
FM Approved for use with the 5820XL



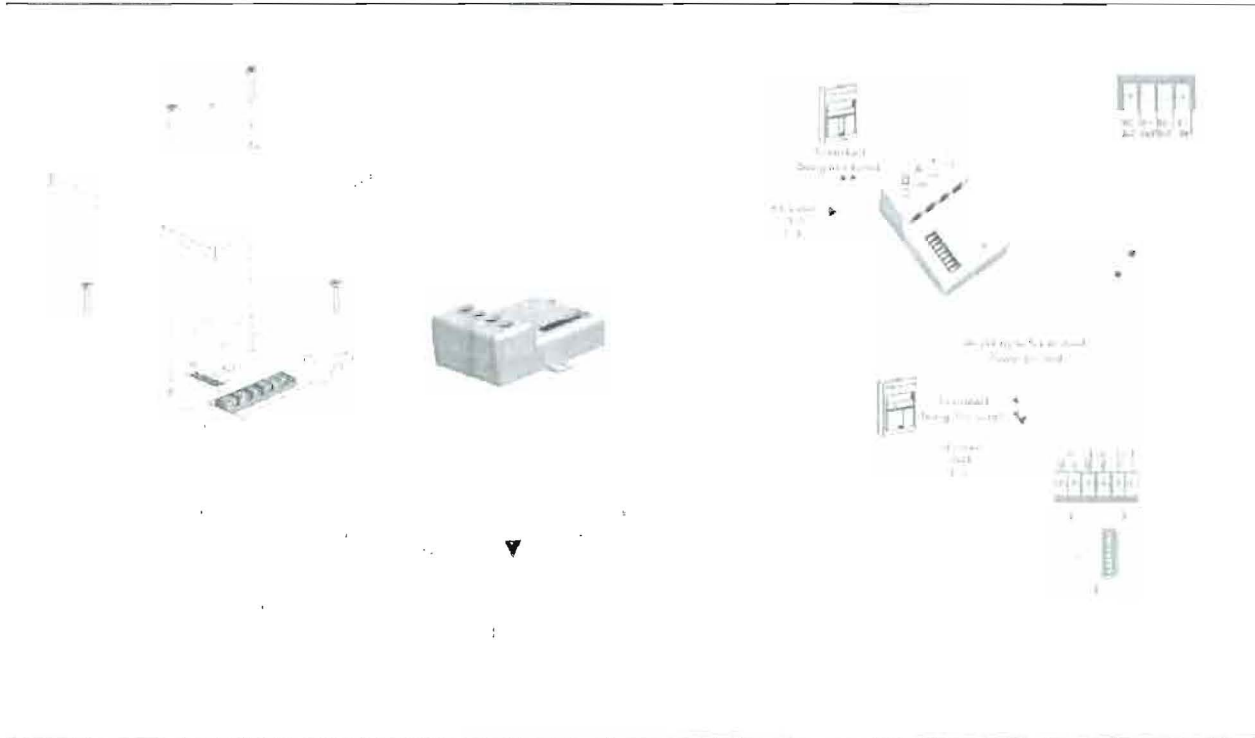
SD500-AIM & SD500-MIM Addressable Input Modules



Engineering Specifications

The contractor shall furnish and install where indicated on the plans, addressable input modules Silent Knight SD500-AIM or SD500-MIM. The modules shall be UL listed and compatible with Silent Knight's IntelliKnight FACPs.

The SD500-MIM shall fit inside a single gang electrical box. The SD500-AIM shall be supplied with a plastic cover and shall be suitable for mounting to a 4"-square or double gang electrical box. The SD500-AIM addressable input module must provide a monitor LED that is visible from outside the cover plate.



Compatible FACPs

5820XL

5808

5700

Ordering Information

SD500-AIM Input Module

Addressable input module with ivory cover plate.

SD500-MIM Input Module

Addressable mini input module.



**SILENT
KNIGHT**

by Honeywell

This document is not intended to be used for installation purposes. We try to keep our product information up-to-date and accurate. We cannot cover all specific applications or anticipate all requirements. All specifications are subject to change without notice. For more information, contact Silent Knight 7550 Mendian Circle Suite 100, Maple Grove, Mn 55369-4927 Phone: (800) 328-0103 or 763-493-6400 Fax: (763) 493-6475 www.silentknight.com

MADE IN AMERICA

FORM# 350231 Rev D,

© 2008 Honeywell International Inc



Indoor Selectable-Output Strobes and Horn Strobes for Ceiling Applications

SpectrAlert® Advance audible visible notification products are rich with features guaranteed to cut installation times and maximize profits.



SPECTRAlert
ADVANCE
from SYSTEM SENSOR

Features

- Plug-in design with minimal intrusion into the back box
- Tamper-resistant construction
- Automatic selection of 12- or 24-volt operation at 15 and 15/75 candela
- Field-selectable candela settings on ceiling units: 15, 15/75, 30, 75, 95, 110, 115, 135, 150, 177, and 185
- Horn rated at 88+ dBA at 16 volts
- Rotary switch for horn tone and three volume selections
- Universal mounting plate for ceiling units
- Mounting plate shorting spring checks wiring continuity before device installation
- Electrically Compatible with legacy SpectrAlert devices
- Compatible with MDL sync module

The **SpectrAlert Advance series** offers the most versatile and easy-to-use line of horns, strobes, and horn strobes in the industry. With white and red plastic housings, wall and ceiling mounting options, and plain and FIRE-printed devices, SpectrAlert Advance can meet virtually any application requirement.

Like the entire SpectrAlert Advance product line, ceiling-mount strobes and horn strobes include a variety of features that increase their application versatility while simplifying installation. All devices feature plug-in designs with minimal intrusion into the back box, making installations fast and foolproof while virtually eliminating costly and time-consuming ground faults.

To further simplify installation and protect devices from construction damage, SpectrAlert Advance utilizes a universal mounting plate with an onboard shorting spring, so installers can test wiring continuity before the device is installed.

Installers can also easily adapt devices to suit a wide range of application requirements using field-selectable candela settings, automatic selection of 12- or 24-volt operation, and a rotary switch for horn tones with three volume selections.

Agency Listings



SpectrAlert Advance Specifications

Architect/Engineer Specifications

General

SpectrAlert Advance strobes and horn strobes shall mount to a standard 4 x 4 x 1½-inch back box, 4-inch octagon back box, or (double-gang) back box. Two-wire products shall also mount to a single-gang 2 x 4 x 1½-inch back box. A universal mounting plate shall be used for mounting ceiling and wall products. The notification appliance circuit wiring shall terminate at the universal mounting plate. Also, SpectrAlert Advance products, when used with the Sync-Circuit™ Module accessory, shall be powered from a non-coded notification appliance circuit output and shall operate on a nominal 12 or 24 volts. When used with the Sync-Circuit Module, 12-volt-rated notification appliance circuit outputs shall operate between 9 and 17.5 volts; 24-volt-rated notification appliance circuit outputs shall operate between 17 and 33 volts. Locking SpectrAlert Advance products shall operate between 32 and 120 degrees Fahrenheit from a regulated DC or full-wave-rectified (unfiltered) power supply. Strobes and horn strobes shall have field-selectable candela settings including 15, 15/75, 30, 75, 95, 110, 115, 135, 190, 177, and 185.

Strobe

The strobe shall be a System Sensor SpectrAlert Advance Model _____ listed to UL 1971 and shall be approved for fire protective service. The strobe shall be wired as a primary signaling notification appliance and comply with the Americans with Disabilities Act requirements for visible signaling appliances, flashing at 1 Hz over the strobe's entire operating voltage range. The strobe light shall consist of a xenon flash tube and associated lens/reflector system.

Horn Strobe Combination

The horn strobe shall be a System Sensor SpectrAlert Advance Model _____ listed to UL 1971 and UL 581 and shall be approved for fire protective service. The horn strobe shall be wired as a primary signaling notification appliance and comply with the Americans with Disabilities Act requirements for visible signaling appliances, flashing at 1 Hz over the strobe's entire operating voltage range. The strobe light shall consist of a xenon flash tube and associated lens/reflector system. The horn shall have three audibility options and an option to switch between a temporal three pattern and a non-temporal (continuous) pattern. These options are set by a multiple position switch. On four-wire products, the strobe shall be powered independently of the sounder. The horn and horn strobe models shall operate on a coded or non-coded power supply.

Synchronization Module

The module shall be a System Sensor Sync-Circuit model M31, listed to UL 464 and shall be approved for fire protective service. The module shall synchronize SpectrAlert strobes at 1 Hz and horns at temporal three. Also, while operating the strobes, the module shall silence the horns on horn strobe models over a single pair of wires. The module shall mount to a 4½" x 4½" x 2½" inch back box. The module shall also control two Style Y (Class B) circuits or one Style Z (Class A) circuit. The module shall synchronize multiple zones. Daisy chaining two or more synchronization modules together will synchronize all the horns they control; the module shall not operate on a coded power supply.

Physical/Electrical Specifications

Standard Operating Temperature	32°F to 120°F (0°C to 49°C)
Humidity Range	10 to 93% non-condensing
Strobe Flash Rate	1 flash per second
Nominal Voltage	Regulated 12 DC (2-WB) or regulated 24 DC (2-WB) ¹
Operating Voltage Range ²	8 to 17.5 V (12 V nominal) or 16 to 33 V (24 V nominal)
Input Terminal Wire Gauge	12 to 18 AWG
Ceiling Mount Dimensions (including lens)	6.8" diameter x 2.5" high (173 mm diameter x 64 mm high)
Ceiling Mount Back Box Skirt Dimensions (BBSC-2, BBSCW-2)	7.1" diameter x 2.2" high (180 mm diameter x 57 mm high)
Ceiling Mount Trim Ring Dimensions (sold as a 5 pack) (TRC, HS, TRCW-HS)	6.9" diameter x 0.21" high (175 mm diameter x 9 mm high)

Notes:

¹ Full-Wave Rectified (FWR) voltage is a non-regulated, time-varying power source that is used on some power supply and paired outputs.
² E, S, H, and SE products will operate at 12V nominal only for 15 and 15/75 cd.

UL Current Draw Data

UL Max. Strobe Current Draw (mA RMS)					
Candela	8-17.5 Volts		16-33 Volts		
	DC	FWR	DC	FWR	
Standard Candela Range	15	323	128	66	73
	15/75	142	148	77	83
	30	NA	NA	91	96
	75	NA	NA	158	163
	95	NA	NA	181	176
	110	NA	NA	202	195
High Candela Range	135	NA	NA	228	207
	150	NA	NA	246	220
	177	NA	NA	281	251
	185	NA	NA	286	258

UL Max. Current Draw (mA RMS), 2-Wire Horn Strobe, Standard Candela Range (15-115 cd)									
DC Input	8-17.5 Volts		16-33 Volts						
	15	15/75	15	15/75	30	75	95	110	115
Temporal High	157	147	79	90	107	136	191	217	238
Temporal Medium	132	144	69	80	97	157	182	201	210
Temporal Low	112	143	66	77	93	151	179	198	207
Non-temporal High	141	112	91	100	116	146	201	221	229
Non-temporal Medium	114	145	75	85	102	163	187	207	216
Non-temporal Low	131	141	68	79	96	156	182	201	210
FWR Input									
Temporal High	136	155	68	97	117	168	190	210	218
Temporal Medium	129	152	78	88	103	160	184	207	206
Temporal Low	129	151	76	86	101	160	184	194	201
Non-temporal High	132	161	103	112	126	181	201	221	229
Non-temporal Medium	134	155	85	95	110	166	189	208	216
Non-temporal Low	137	154	80	90	105	161	184	202	211

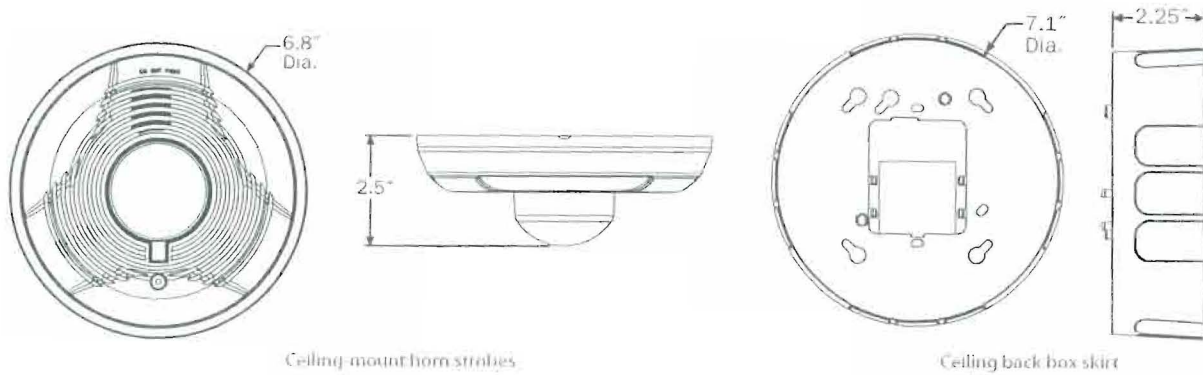
UL Max. Current Draw (mA RMS), 2-Wire Horn Strobe, High Candela Range (135-185 cd)									
DC Input	16-33 Volts				FWR Input	16-33 Volts			
	135	150	177	185		135	150	177	185
Temporal High	240	259	290	297	Temporal High	215	231	258	265
Temporal Medium	235	253	288	297	Temporal Medium	209	224	250	258
Temporal Low	232	251	282	292	Temporal Low	207	221	248	256
Non-temporal High	255	270	303	309	Non-temporal High	233	248	275	281
Non-temporal Medium	247	259	293	299	Non-temporal Medium	219	232	267	267
Non-temporal Low	238	254	291	295	Non-temporal Low	214	229	256	262

Horn Strobe Tones and Sound Output Data

Horn Strobe Output (dBA)										
Switch Position	Sound Pattern	dB	8-17.5 Volts		16-33 Volts		24-Volt Nominal			
			DC	FWR	DC	FWR	Reverberant		Anechoic	
			DC	FWR	DC	FWR	DC	FWR	DC	FWR
1	Temporal	High	78	78	84	84	88	88	90	98
2	Temporal	Medium	74	74	80	80	86	86	96	96
3	Temporal	Low	71	73	76	76	83	80	91	89
4	Non-temporal	High	82	82	88	88	93	92	100	100
5	Non-temporal	Medium	79	78	85	85	90	90	98	98
6	Non-temporal	Low	75	75	81	81	88	84	96	92
7	Loaded	High	82	82	88	88	93	92	101	101
8	Loaded	Medium	78	78	85	85	90	90	97	98
9	Loaded	Low	75	75	81	81	88	85	95	97

Settings 7, 8, and 9 are not available on 2-wire horn strobes.

SpectrAlert Advance Dimensions



SpectrAlert Advance Ordering Information

Model	Description
Ceiling Horn Strobes	
PC-2R*	2-Wire Horn Strobe, Standard col, Red
PC-2RH	2-Wire Horn Strobe, High col, Red
PC-2W*	2-Wire Horn Strobe, Standard col, White
PC-2WH*	2-Wire Horn Strobe, High col, White
PC-4R	4-Wire Horn Strobe, Standard col, Red
PC-4RH	4-Wire Horn Strobe, High col, Red
PC-4W	4-Wire Horn Strobe, Standard col, White

Model	Description
Ceiling Strobes	
SC-R	Strobe, Standard col, Red
SC-RH	Strobe, High col, Red
SC-W*	Strobe, Standard col, White
SC-WH	Strobe, High col, White
Accessories	
BBSC-R	Back Box Skirt, Ceiling, Red
BBSC-W	Back Box Skirt, Ceiling, White
TRC-MS	Trim Ring, Ceiling, Red
TRCW-S	Trim Ring, Ceiling, White

Notes:

* R&L SP is model number for plain housing (no 1.00" marking on cover) eq. P5R-P

† A&S SP is model number for 3.00" marking on housing eq. P5R-SP

‡ Standard Colors to strobes that include R, P, Z, R, H, S, Y, T, and U are cannot settings. † High col refers to strobes that include Y, P, U, T, and U's color settings.



3825 Ohio Avenue • St. Charles, IL 60174
 Phone: 800-44-SENSOR • Fax: 630-377-6495

©2011 System Sensor
 Printed in the USA. All rights reserved. For more information, please contact your local distributor or visit our website at www.systemsensor.com.
 1011-0000-01-11-1208



CITY OF PORTLAND, MAINE
 Department of Building Inspections

Original Receipt

August 8 2011

Received from Jason Lewis

Location of Work 2445 Congress St

Cost of Construction \$ _____ Building Fee: _____

Permit Fee \$ _____ Site Fee: _____

Certificate of Occupancy Fee: _____

Total: _____

Building (IL) Plumbing (I5) _____ Electrical (I2) Site Plan (U2) _____

Other _____

CBL: _____

55.00
70.00
4000

Check #: MasterCard Total Collected \$ 1650

**No work is to be started until permit issued.
 Please keep original receipt for your records.**

Taken by: Haylo

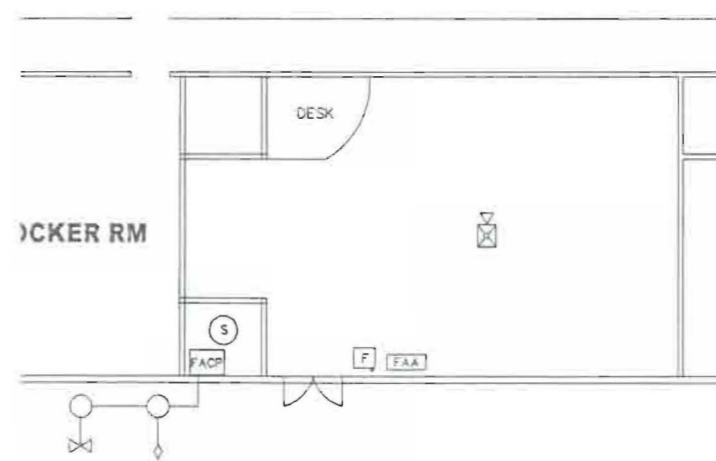
WHITE - Applicant's Copy
 YELLOW - Office Copy
 PINK - Permit Copy



1st Floor Plan

FIRE ALARM

- FAA FIRE ALARM ANNUNCIATOR
- F FIRE ALARM MANUAL PULL STATION
- S SMOKE DETECTOR
- ⊠ FIRE ALARM HORN/STROBE UNIT
- FACP FIRE ALARM PANEL
- FLOW
- GATE VALVE



PART PLAN

NOTE:

THIS DRAWING IS PROVIDED FOR INFORMATIONAL PURPOSES ONLY. IF USED FOR CONSTRUCTION, THE CONTRACTOR ASSUMES ALL RESPONSIBILITY FOR LOCAL CODE COMPLIANCE. ALL DRAWINGS, PLANS, SKETCHES ETC. ARE PROVIDED TO OUR CLIENTS BASED UPON INFORMATION PROVIDED BY THE CLIENT AND DRAWN IN ACCORDANCE WITH COMMON BUILDING PRACTICES AND LOCAL CODES. NONE OF THE EMPLOYEES OF FMC CADD DRAFTING SERVICES, INC ARE REGISTERED ARCHITECTS, ENGINEERS OR LAND SURVEYORS. ALL DIMENSIONS AND SPECIFICATIONS SHOULD BE VERIFIED BY CLIENT AND/OR CONTRACTOR BEFORE ACTUAL CONSTRUCTION BEGINS. IF DIMENSIONS AND SPECIFICATIONS ARE NOT VERIFIED BY CLIENT AND/OR CONTRACTOR BEFORE ACTUAL CONSTRUCTION BEGINS FMC CADD DRAFTING SERVICES, INC. WILL BE HELD HARMLESS. FMC CADD DRAFTING SERVICES, INC. ASSUMES NO LIABILITY FOR CHANGES AND/OR REVISIONS MADE TO PLANS BY CLIENT AND/OR CONTRACTOR.

PROPERTY OF



**RACKETT CENTER
FLOOR PLANS**

3.
2.
1.
REVS:
CODE:
TOWN:
DATE: 07-21-11
SCALE: NTS
DESIGNED: SSA
DRAWN: SSA
TITLE: PLANS
FILE:
SHEET: A-1